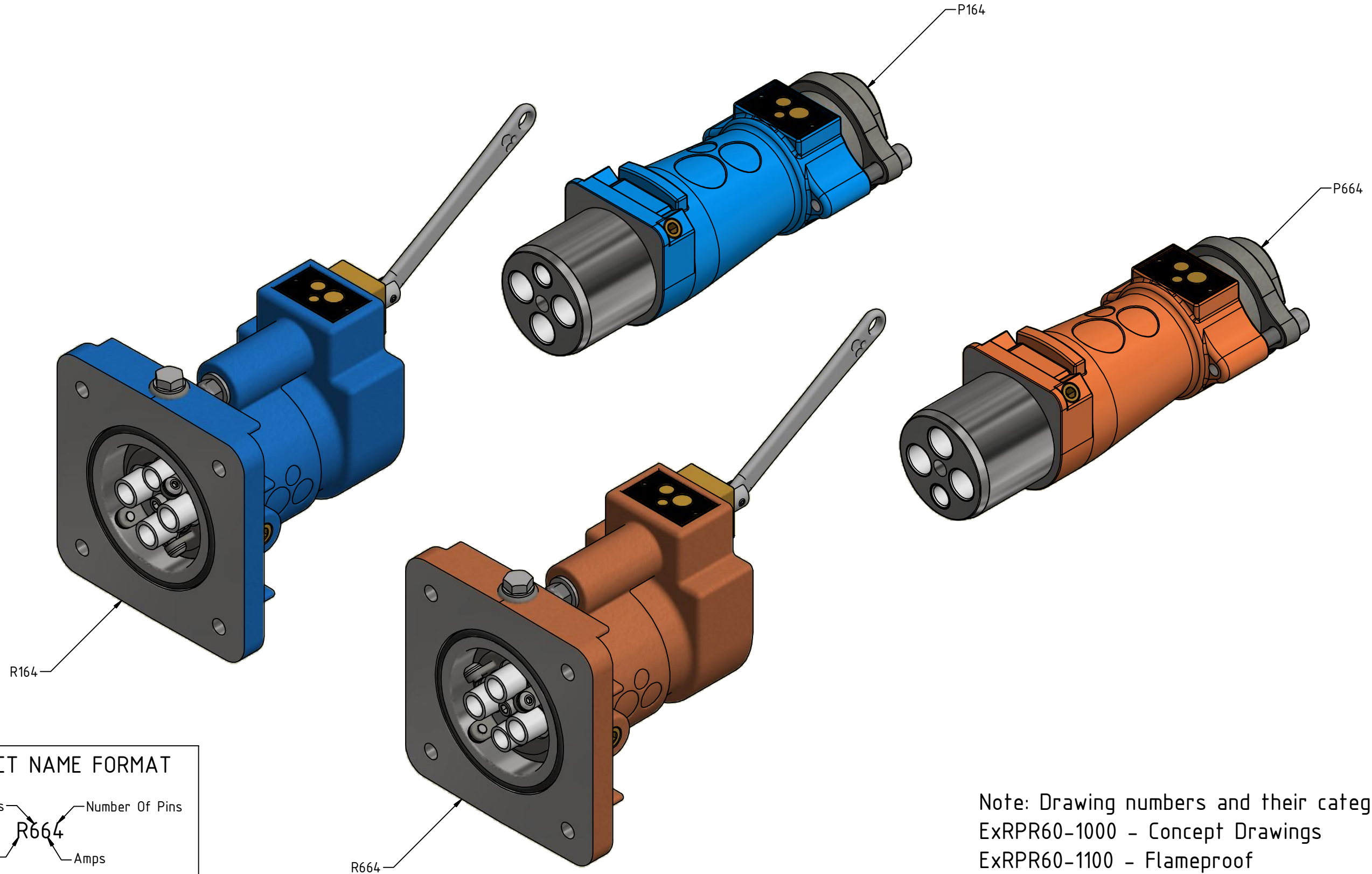


Ex

Ex



PRODUCT NAME FORMAT

Volts — Number Of Pins

R664

— Amps

P = Plug
R = Receptacle

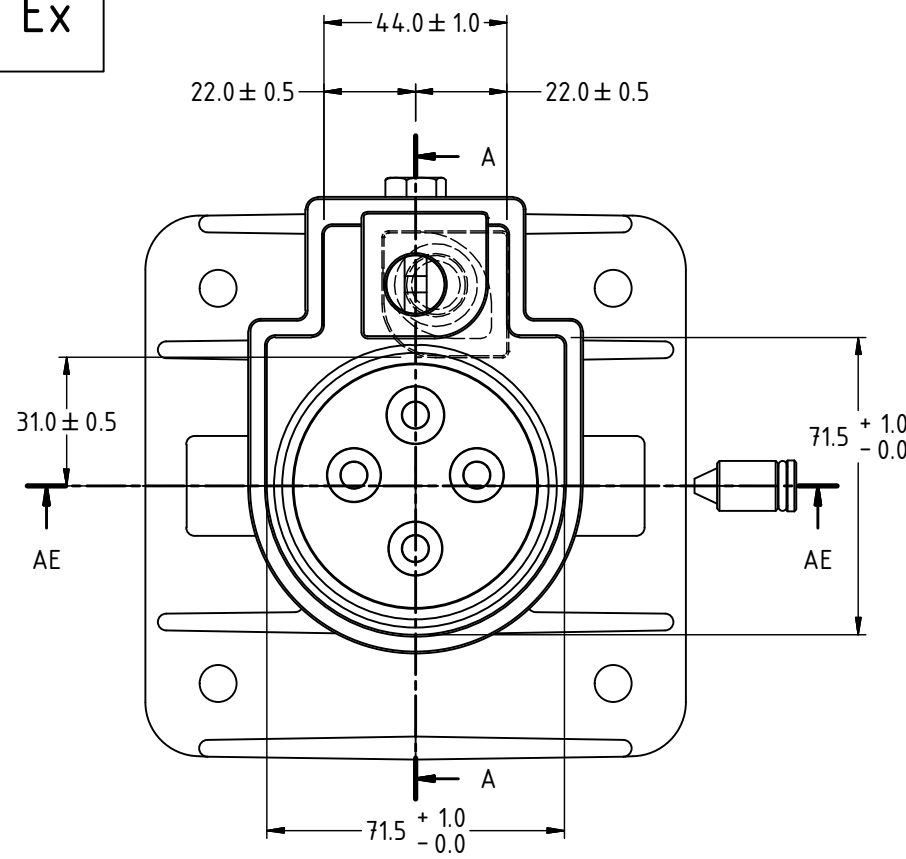
Note: Drawing numbers and their category
 ExRPR60-1000 - Concept Drawings
 ExRPR60-1100 - Flameproof
 ExRPR60-1200 - Product Range
 ExRPR60-1300 - General

This drawing forms part of the documentation for
 Certification: IECEx SIM 20.0009X Issue: 0
 Alterations not authorised by Simtars may invalidate this certification.

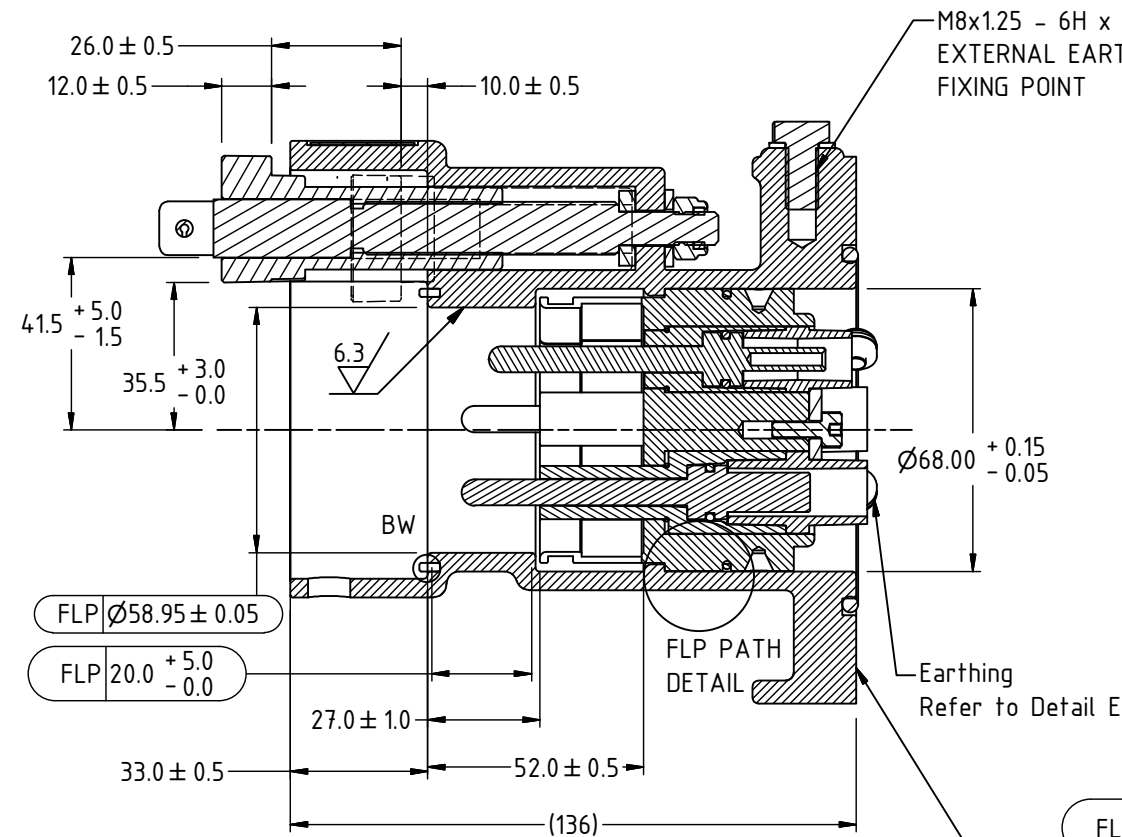
AUSPROOF PTY LTD		DRAWN BY G.Coumossos		DRAWING NUMBER ExRPR60-C1000		PRODUCT NAME 60 Series Index CUSTOMER COPY		2		07/10/2020		D.Jensen		Updated to IECEx Standards	
© COPYRIGHT RESERVED		APPROVED BY C.Taylor		SIZE A3		REVISION NUMBER		REVISION DATE		REVISION BY		REVISION DESCRIPTION			
DIMENSIONS (Metric-millimetre-mm) UNLESS OTHERWISE SPECIFIED		X.X 0.1 X.XX 0.05				ALL SURFACES TO UNLESS OTHERWISE NOTED									

Ex

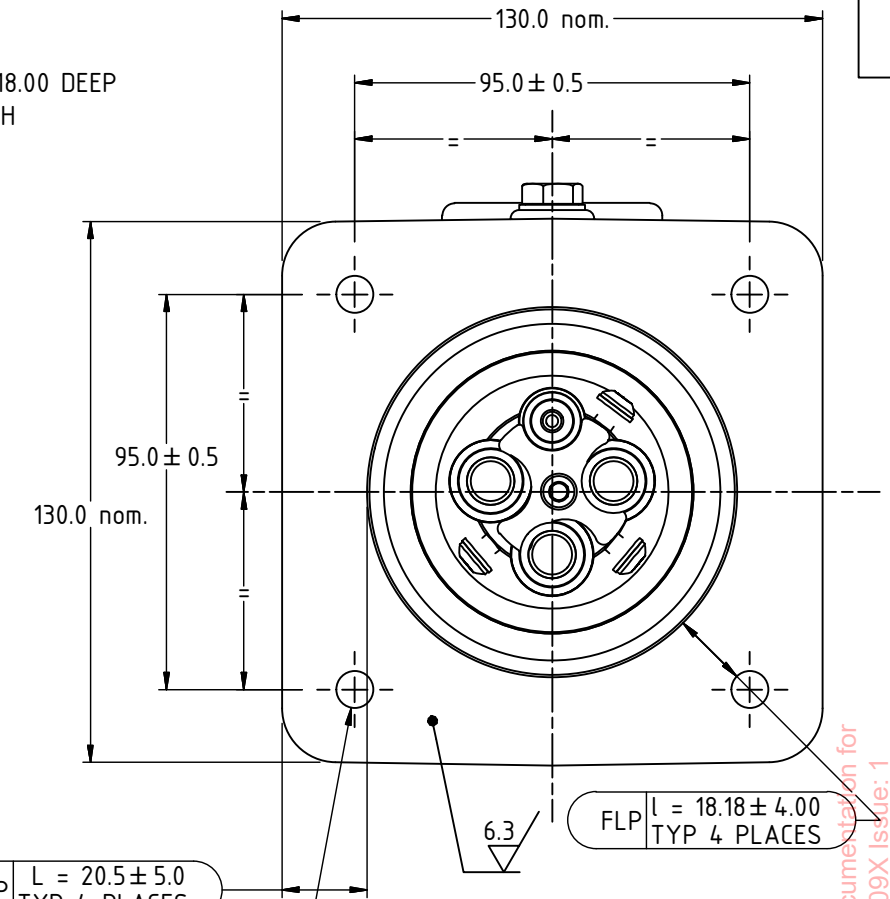
Ex



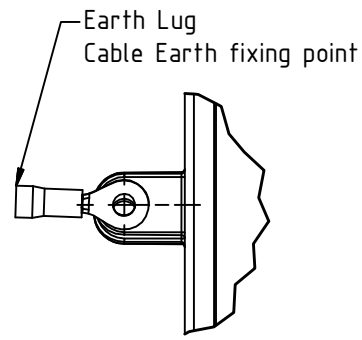
FRONT VIEW



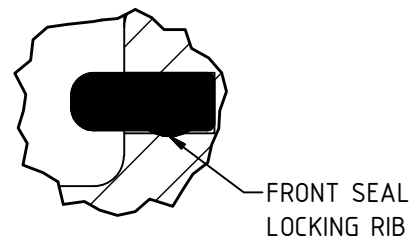
FLAMEPROOF PATH SECTION A-A



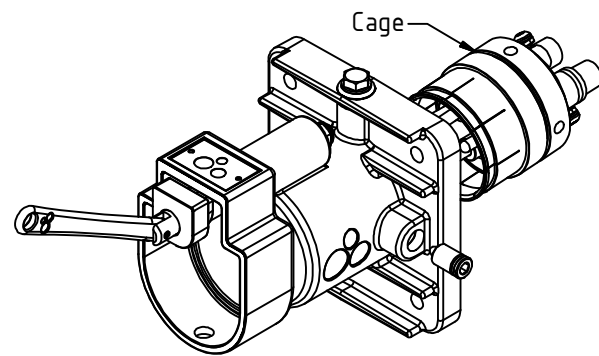
REAR FLANGE FLAME PROOF DETAILS



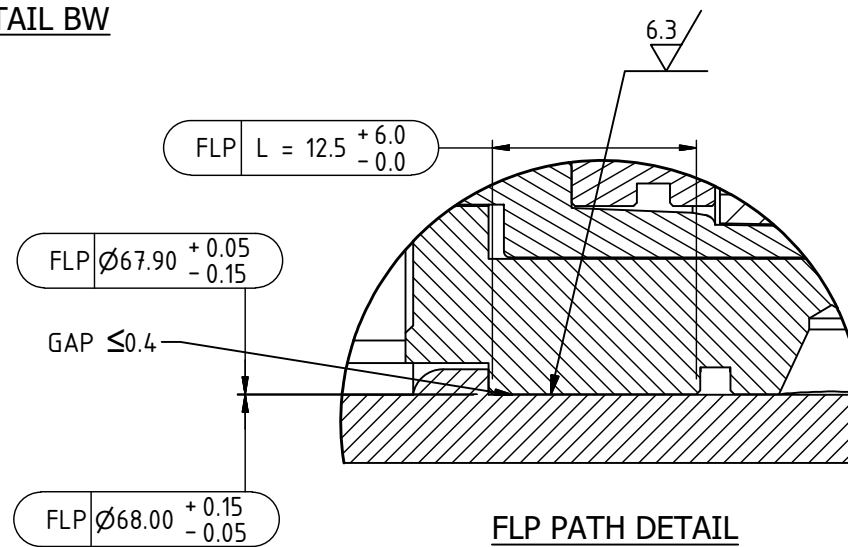
DETAIL E



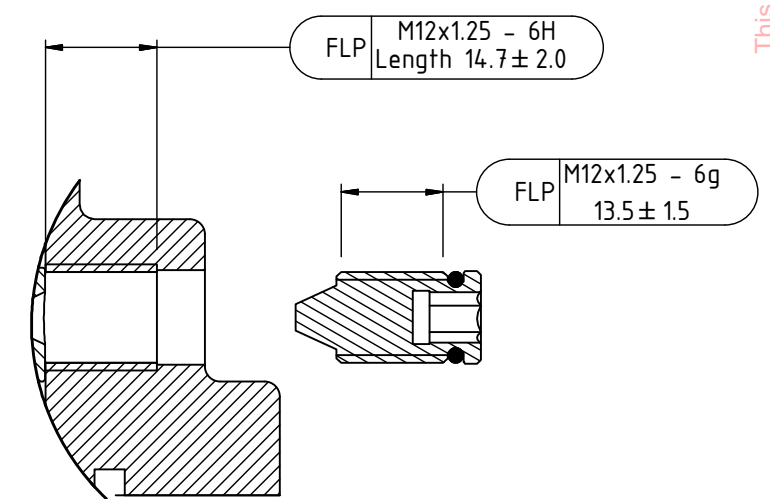
DETAIL BW



ASSEMBLY



FLP PATH DETAIL



CAGE LOCKING SCREW FLAMEPROOF SECTION AE

AUSPROOF PTY LTD

© COPYRIGHT RESERVED

DRAWN BY

G.Coumessos

APPROVED BY

C.Taylor

SIZE

A3

DRAWING NUMBER

ExRPR60-C1100

PRODUCT NAME

Common 60 Receptacle Body
CUSTOMER COPY

3

REVISION NUMBER

12/12/2024

REVISION DATE

C.Taylor

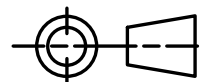
REVISION BY

Added FLP Gap 0.4

REVISION DESCRIPTION

DIMENSIONS (Metric-millimetre-mm)
UNLESS OTHERWISE SPECIFIED
ALL SURFACES TO
UNLESS OTHERWISE NOTED

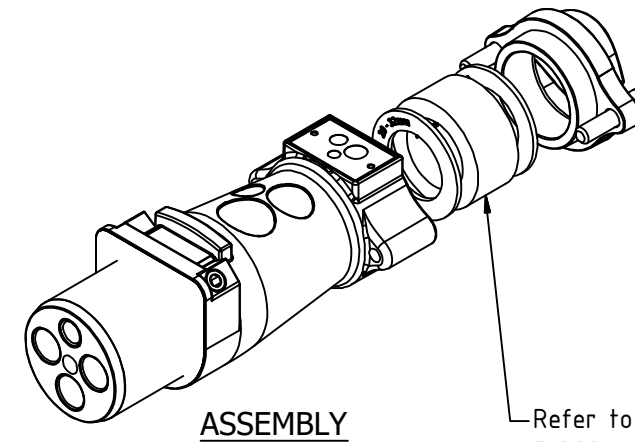
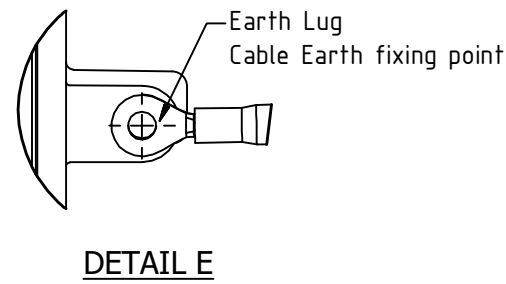
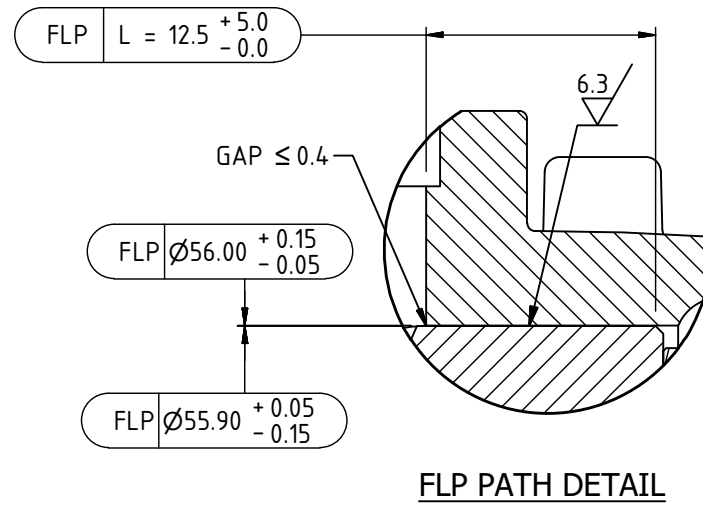
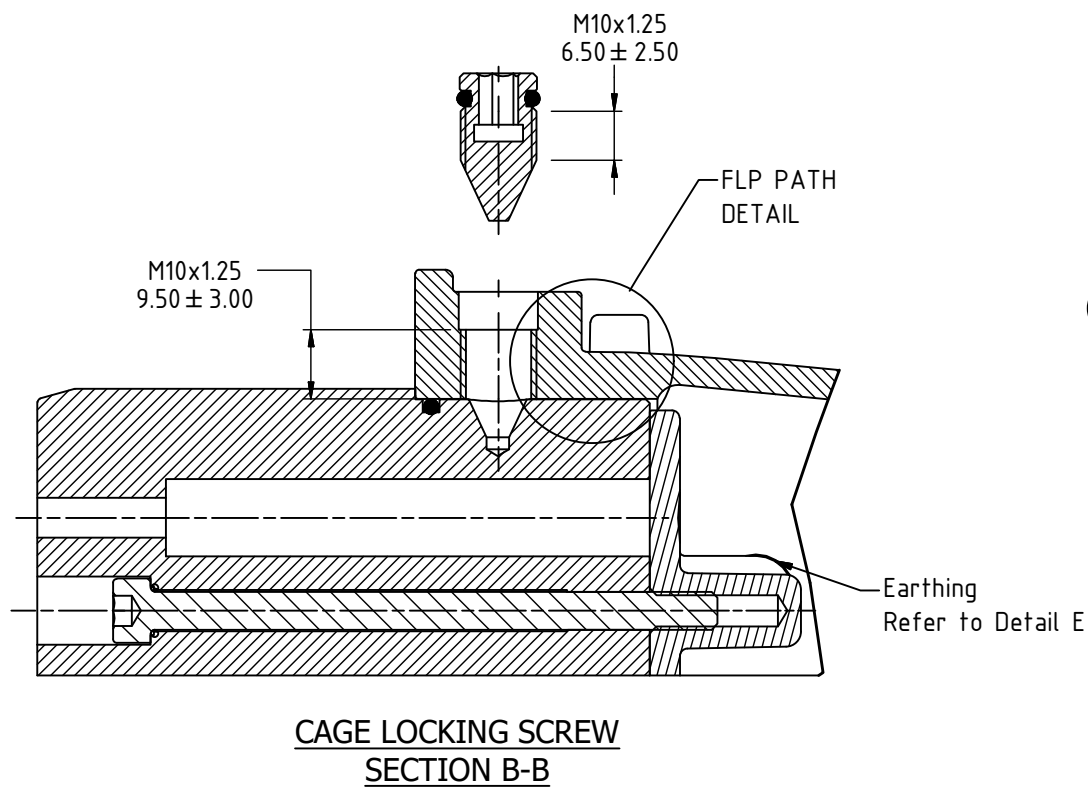
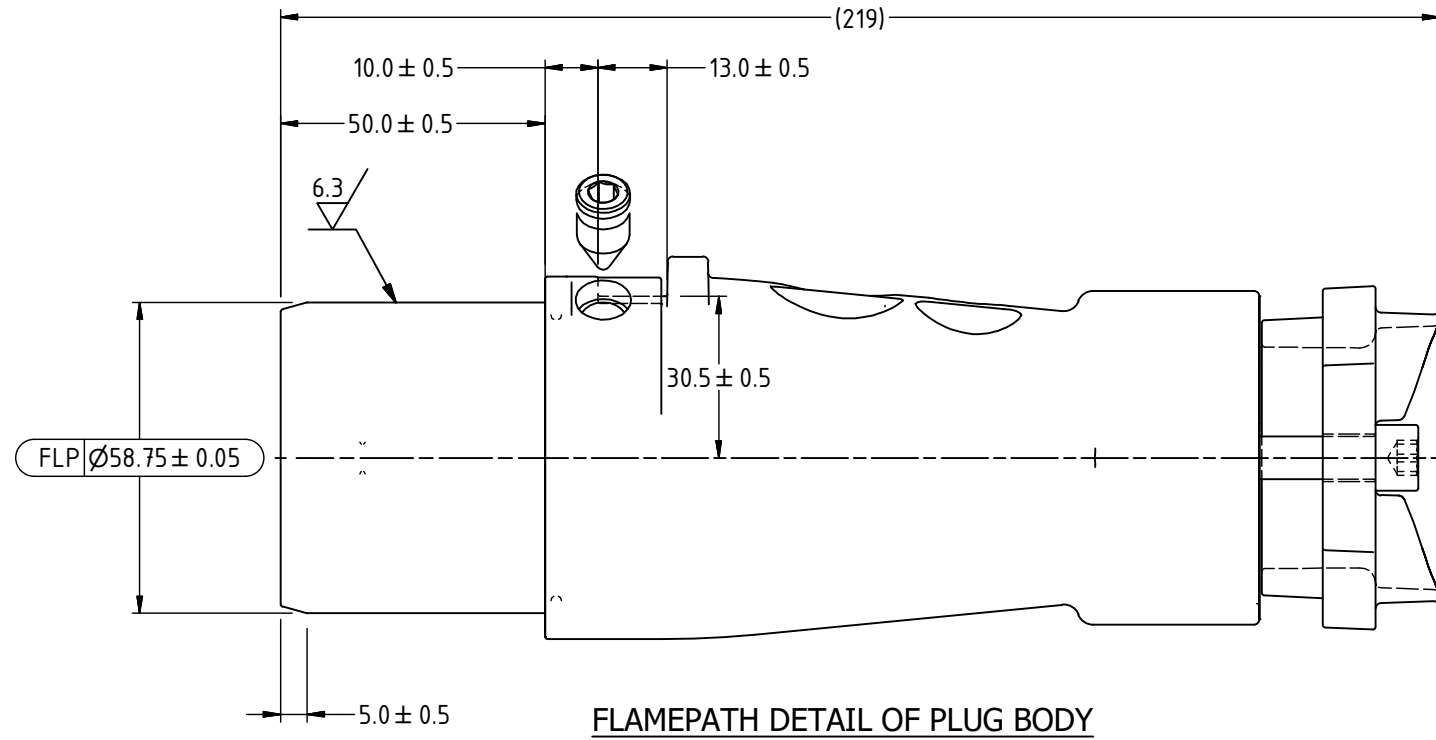
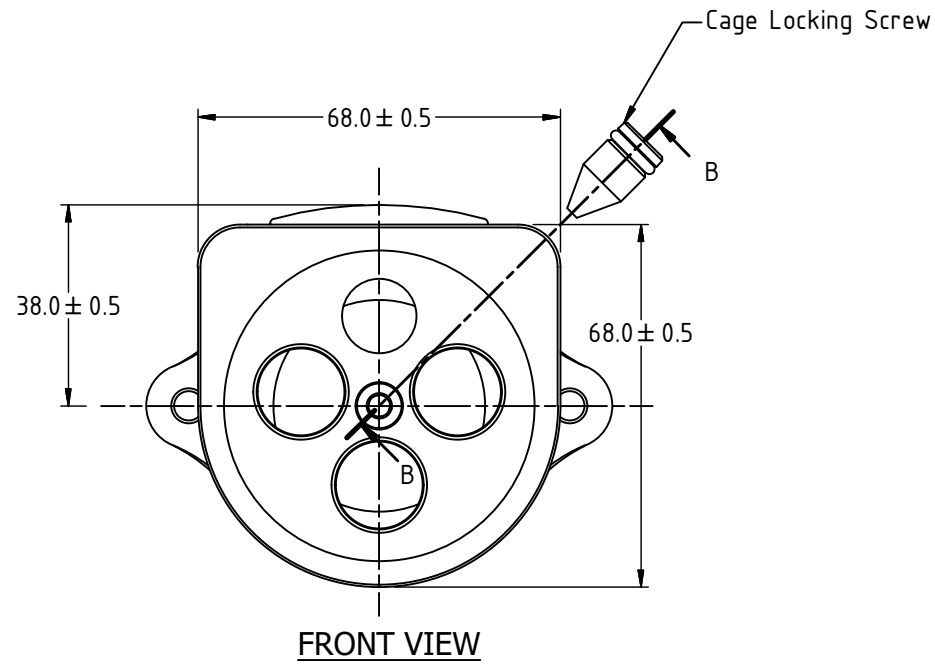
X.X 0.1
X.XX 0.05



This drawing forms part of the documentation for
Certification: IECEx SIM 20.0009X Issue: 1
Certification: ANZEx 16.2005X Issue: 6
Alterations not authorised by Simtars may invalidate this certification.

Ex

Ex



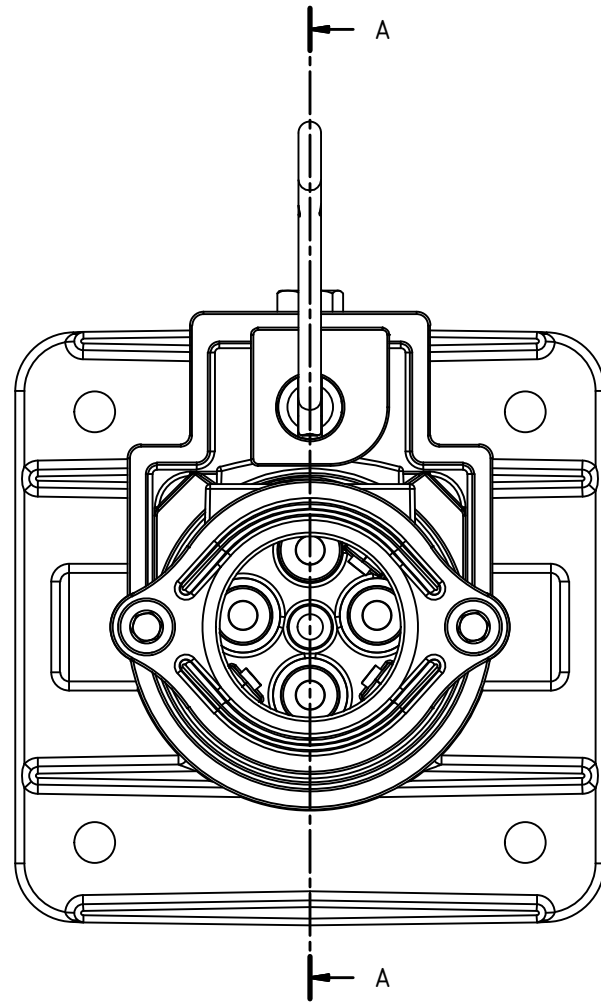
Refer to drawings for Gland details:
ExRPR60-C1303

This drawing forms part of the documentation for
 Certification: IECEx SIM 20.0009X Issue: 1
 Certification: ANZEx 16.2005X Issue: 6
 Alterations not authorised by Simtars may invalidate this certification.

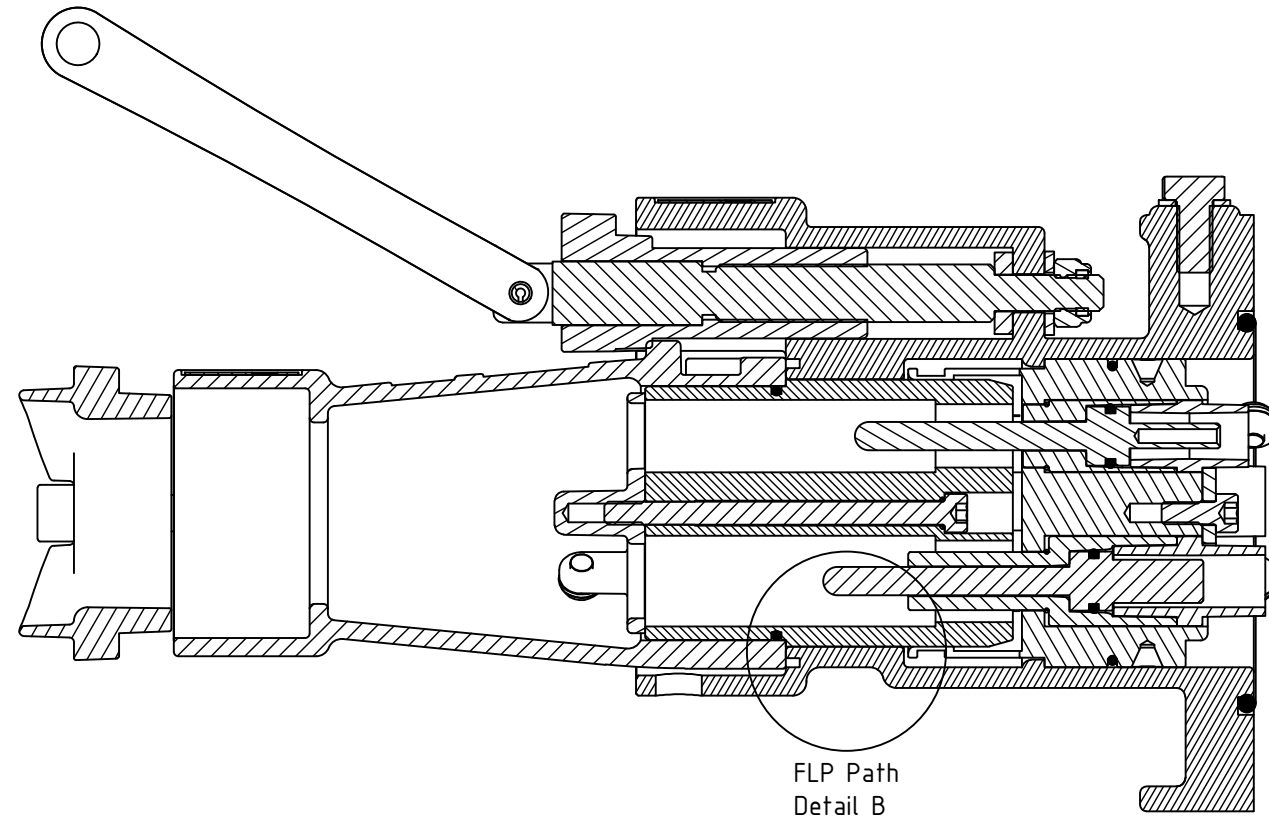
AUSPROOF PTY LTD		DRAWN BY G.Coumessos		DRAWING NUMBER ExRPR60-C1101		PRODUCT NAME Common 60 Plug Body CUSTOMER COPY		3		12/12/2024		D.Jensen		Refer to drawings for Gland details: ExRPR60-C1303	
© COPYRIGHT RESERVED		APPROVED BY C.Taylor		SIZE A3		REVISION NUMBER		REVISION DATE		REVISION BY		REVISION DESCRIPTION			
DIMENSIONS (Metric-millimetre-mm) UNLESS OTHERWISE SPECIFIED		X.X 0.1 X.XX 0.05													
ALL SURFACES TO UNLESS OTHERWISE NOTED															

Ex

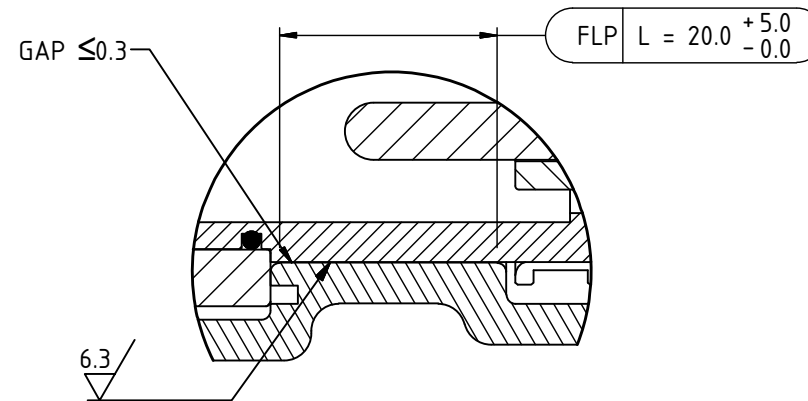
Ex



PLUG RECEPTACLE COUPLING
END VIEW



SECTION A-A



DETAIL B

This drawing forms part of the documentation for
Certification: IECEx SIM 20.0009X Issue: 0
Alterations not authorised by Simtars may invalidate this certification.

AUSPROOF PTY LTD

© COPYRIGHT RESERVED

DRAWN BY

G.Coumessos

APPROVED BY

C.Taylor

SIZE

A3

DRAWING NUMBER

ExRPR60-C1102

PRODUCT NAME

60 PLUG & REC'L ENGAGED
CUSTOMER COPY

2

REVISION NUMBER

07/10/2020

REVISION DATE

D.Jensen

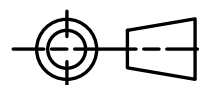
REVISION BY

Updated to IECEx Standards

REVISION DESCRIPTION

DIMENSIONS (Metric-millimetre-mm)
UNLESS OTHERWISE SPECIFIED

X.X 0.1
X.XX 0.05

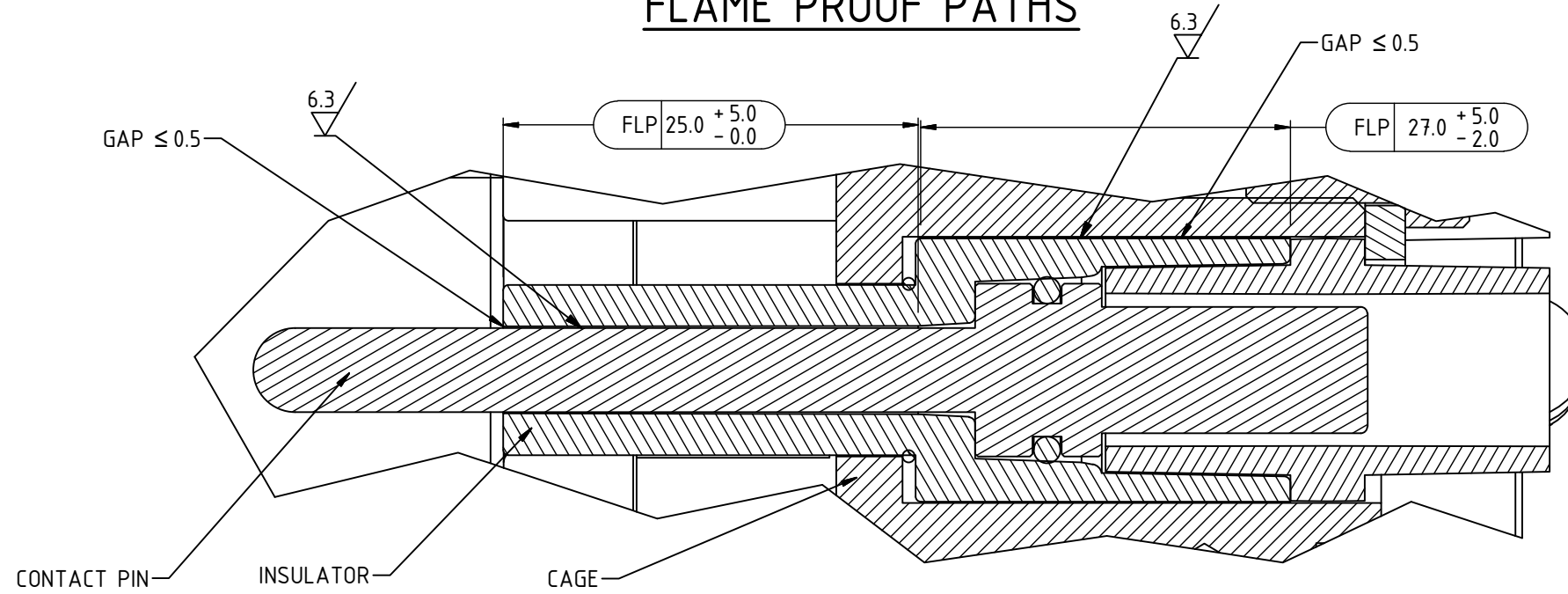


ALL SURFACES TO
UNLESS OTHERWISE NOTED

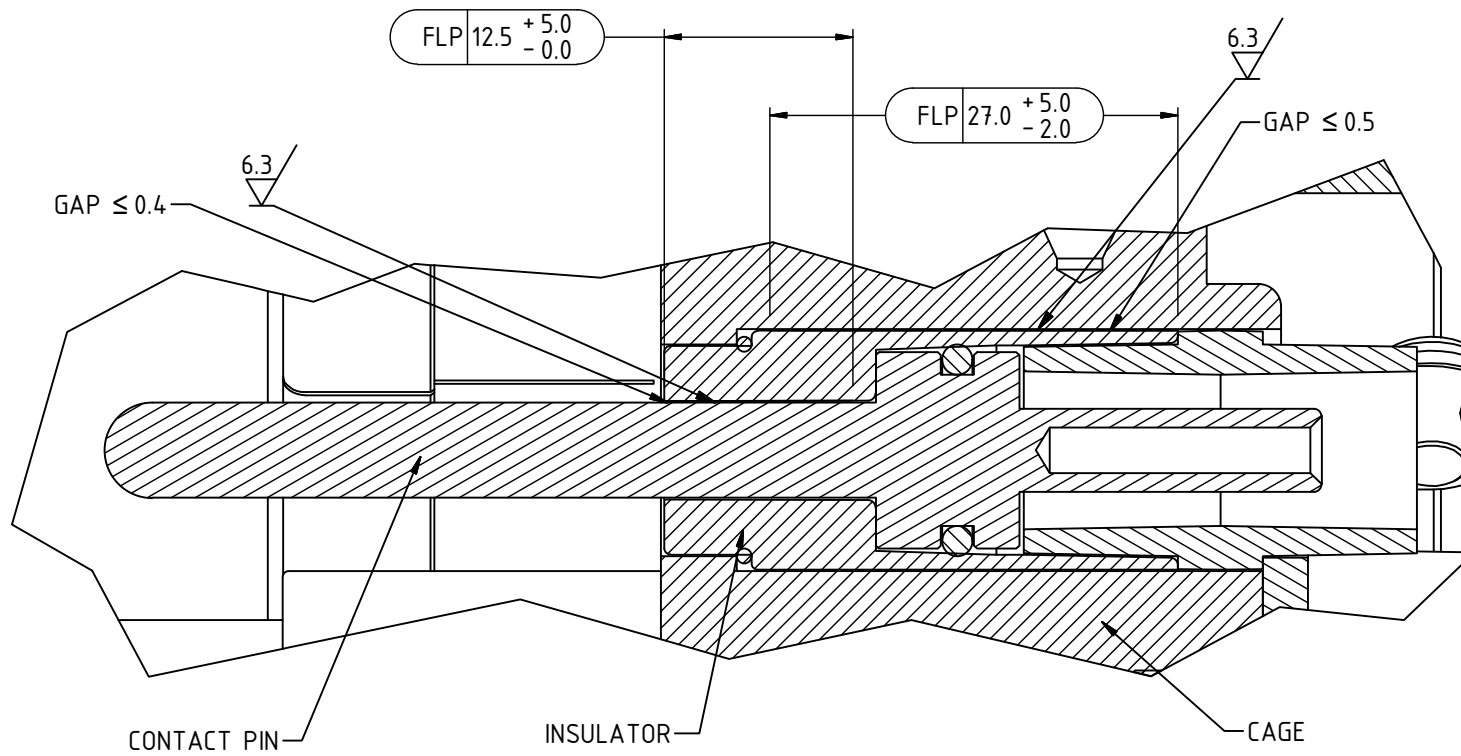
Ex

RECEPTACLE CONTACT/INSULATOR/CAGE ASSEMBLY FLAME PROOF PATHS

Ex



PHASE PIN ASSEMBLY	
Product Name	Rating
R164	1100V/60A
R664	660V/60A



PILOT PIN ASSEMBLY	
Product Name	Rating
R164	1100V/60A
R664	660V/60A

This drawing forms part of the documentation for
 Certification: IECEX SIM 20.0009X Issue: 0
 Alterations not authorised by Simtars may invalidate this certification.

AUSPROOF PTY LTD

© COPYRIGHT RESERVED

DRAWN BY

G.Coumessos

APPROVED BY

C.Taylor

SIZE

A3

DRAWING NUMBER

ExRPR60-C1103

PRODUCT NAME

60 FLAME PATH SPECIFICATIONS
CUSTOMER COPY

2

REVISION NUMBER

07/10/2020

REVISION DATE

D.Jensen

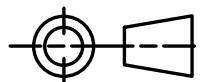
REVISION BY

Updated to IECEX Standards

REVISION DESCRIPTION

DIMENSIONS (Metric-millimetre-mm)
UNLESS OTHERWISE SPECIFIED

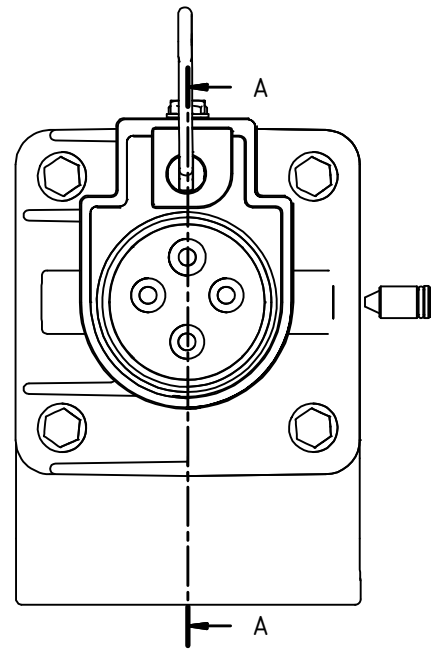
X.X 0.1
X.XX 0.05



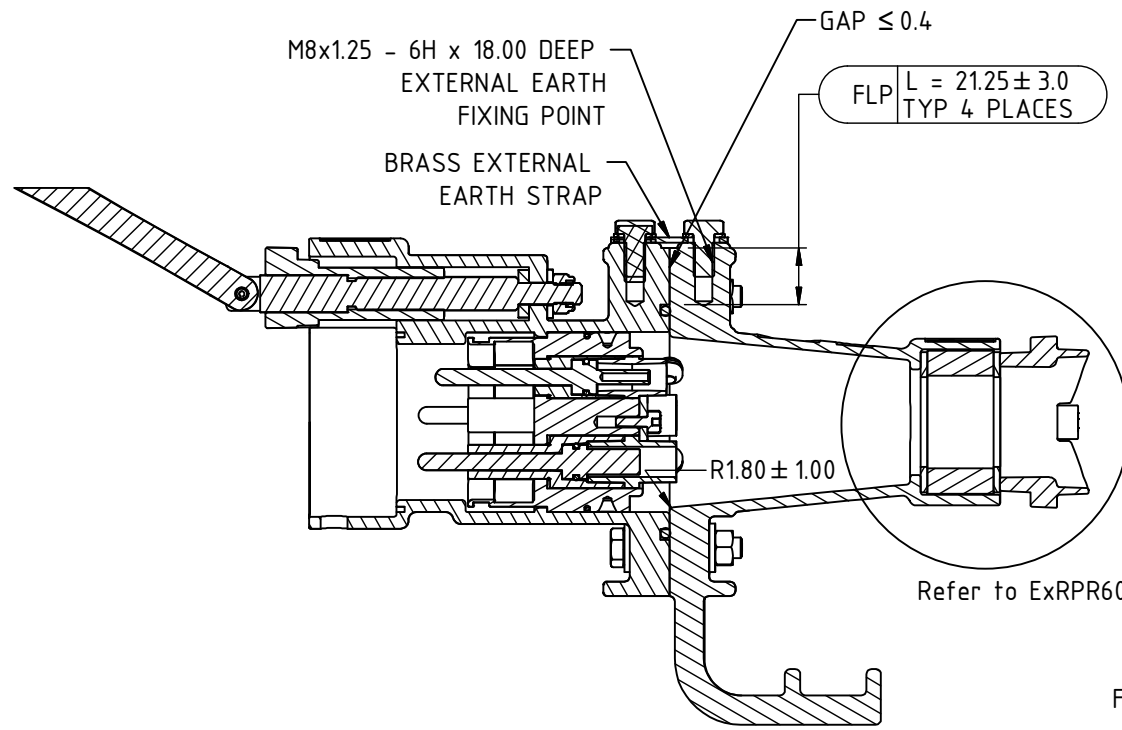
ALL SURFACES TO
UNLESS OTHERWISE NOTED

Ex

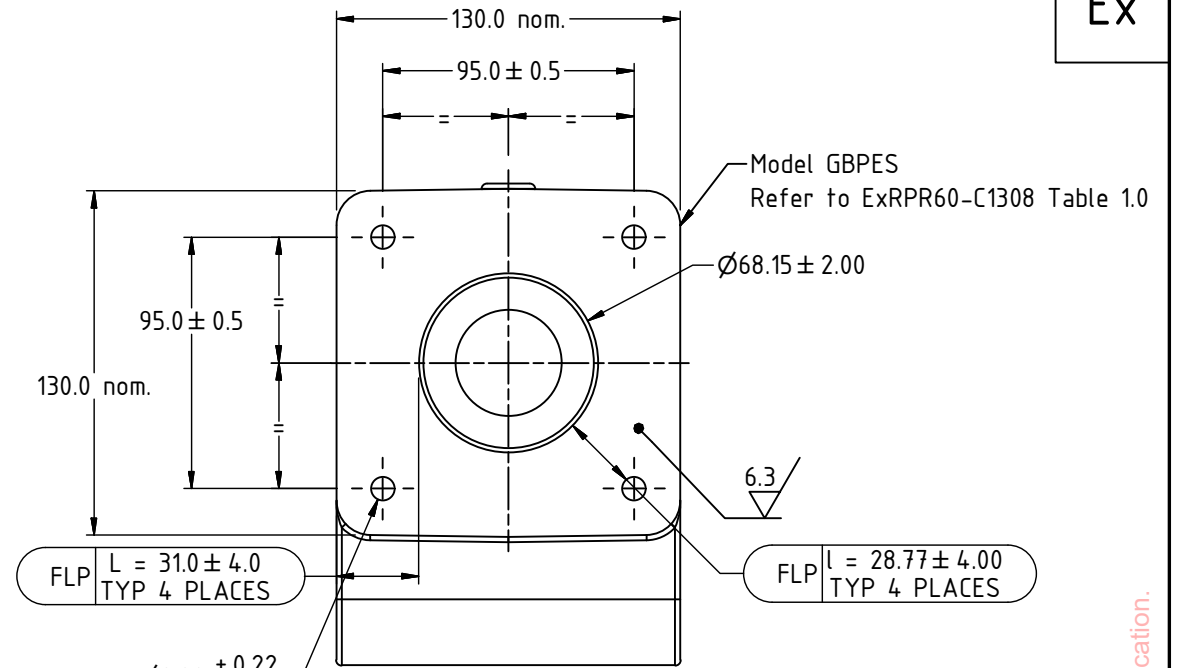
Ex



FRONT VIEW

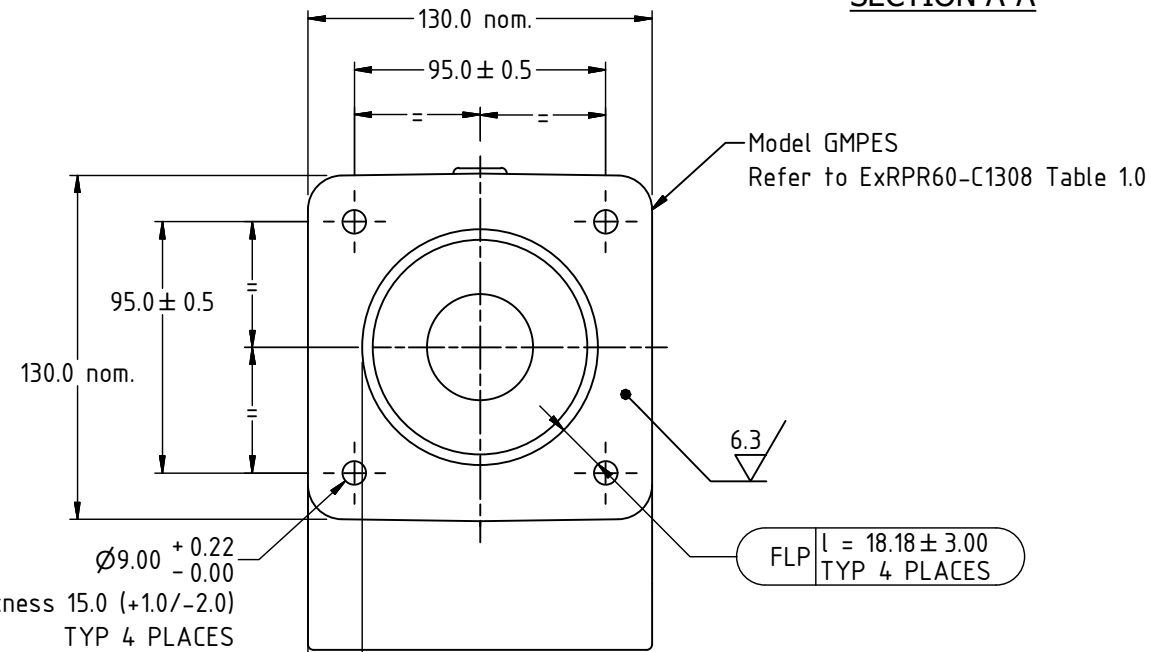


RECEPTACLE/GLAND ASSEMBLY
FLAMEPROOF PATH
SECTION A-A



GLAND BRACKET
REAR FLANGE
NO O-RING
FLAME PROOF DETAILS

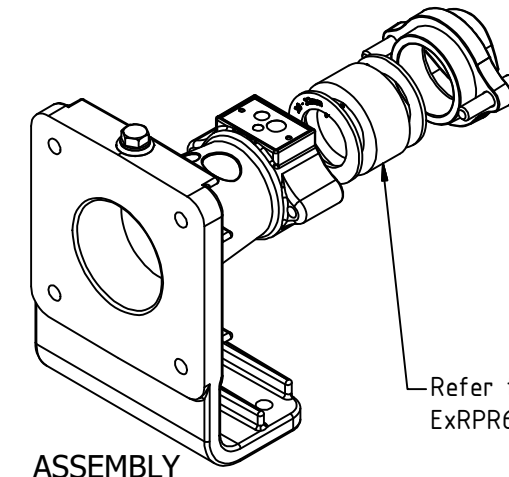
Flange Thickness 15.0 (+1.0/-2.0)
TYP 4 PLACES



GLAND MOUNT
REAR FLANGE WITH O-RING
FOR OPTIONAL MOUNTING
FLAME PROOF DETAILS



GLAND BRACKET / GLAND MOUNT
PRODUCT DATA LABEL
Refer to ExRPR60-C1308 Table 1.0



ASSEMBLY

Refer to drawings for Gland details:
ExRPR60-C1303

This drawing forms part of the documentation for
Certification: IECEx SIM 20.0009X Issue: 1
Certification: ANZEx 16.2005X Issue: 6
Alterations not authorised by Simtars may invalidate this certification.

AUSPROOF PTY LTD

© COPYRIGHT RESERVED

DRAWN BY

G.Coumossos

APPROVED BY

C.Taylor

SIZE

A3

DRAWING NUMBER

ExRPR60-C1104

PRODUCT NAME

Common 60 Gland Bracket
CUSTOMER COPY

3

REVISION NUMBER

12/12/2024

REVISION DATE

D.Jensen

REVISION BY

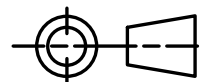
Refer to drawings for Gland details: ExRPR60-C1303

REVISION DESCRIPTION

DIMENSIONS (Metric-millimetre-mm)

UNLESS OTHERWISE SPECIFIED

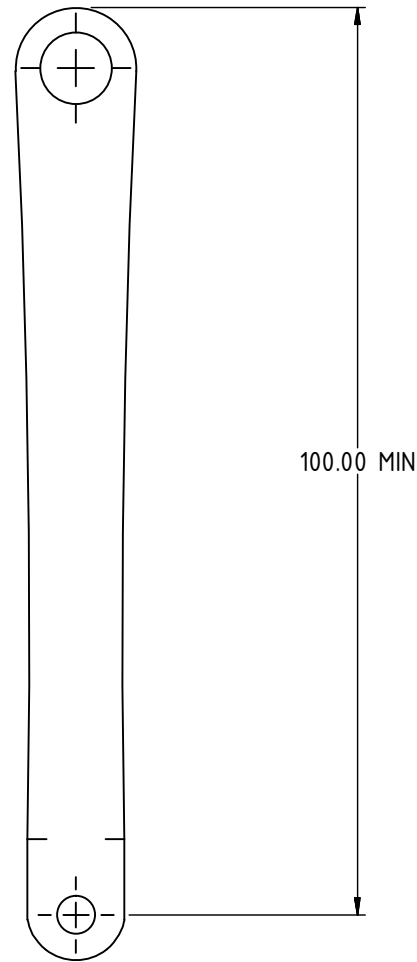
X.X 0.1
X.XX 0.05



ALL SURFACES TO
UNLESS OTHERWISE NOTED

Ex

Ex



100.00 MIN

JACK IN HANDLE

This drawing forms part of the documentation for
 Certification: IECEX SIM 20.0009X Issue: 1
 Certification: ANZEX 16.2005X Issue: 6
 Alterations not authorised by Simtars may invalidate this certification.

AUSPROOF PTY LTD

© COPYRIGHT RESERVED

DRAWN BY

A.Castle

APPROVED BY

C.Taylor

SIZE

A3

DRAWING NUMBER

ExRPR60-C1105

PRODUCT NAME

Com 60 Operating Mech

CUSTOMER COPY

0

REVISION NUMBER

05/10/2022

REVISION DATE

A.Castle

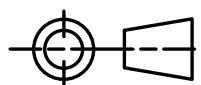
REVISION BY

Added Operating Mechanism

REVISION DESCRIPTION

DIMENSIONS (Metric-millimetre-mm)
UNLESS OTHERWISE SPECIFIED

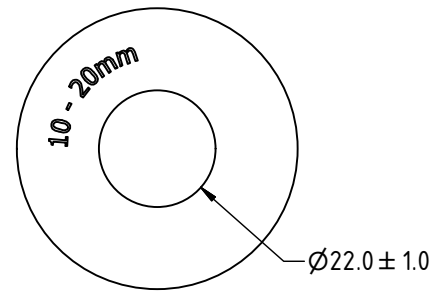
X.X 0.1
X.XX 0.05



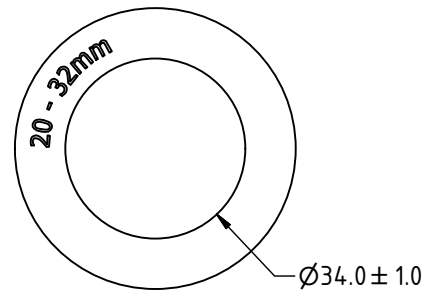
ALL SURFACES TO
UNLESS OTHERWISE NOTED

Ex

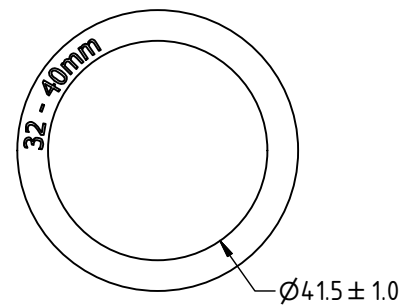
Ex



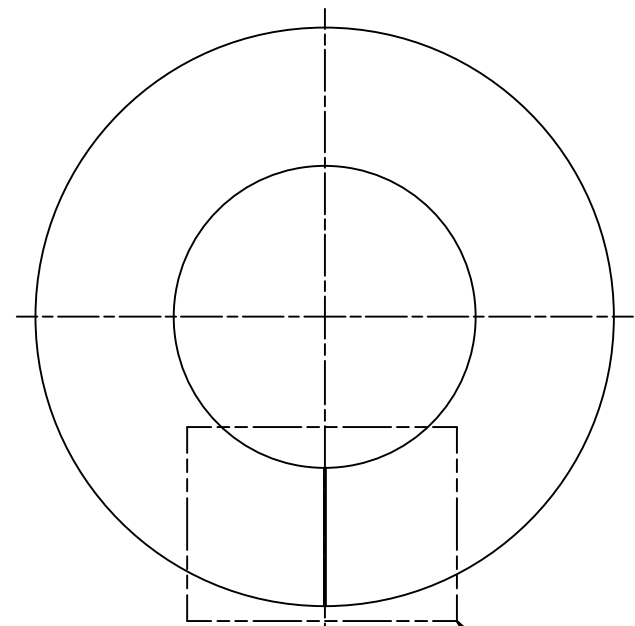
CABLE COMPRESSION WASHER



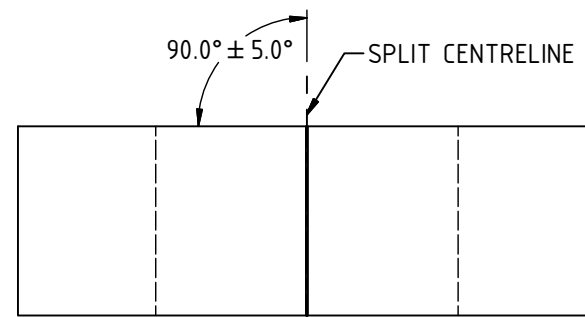
CABLE COMPRESSION WASHER



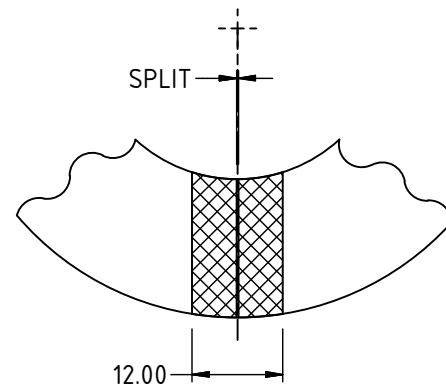
CABLE COMPRESSION WASHER



TOP VIEW
COMPRESSION GLAND RUBBER

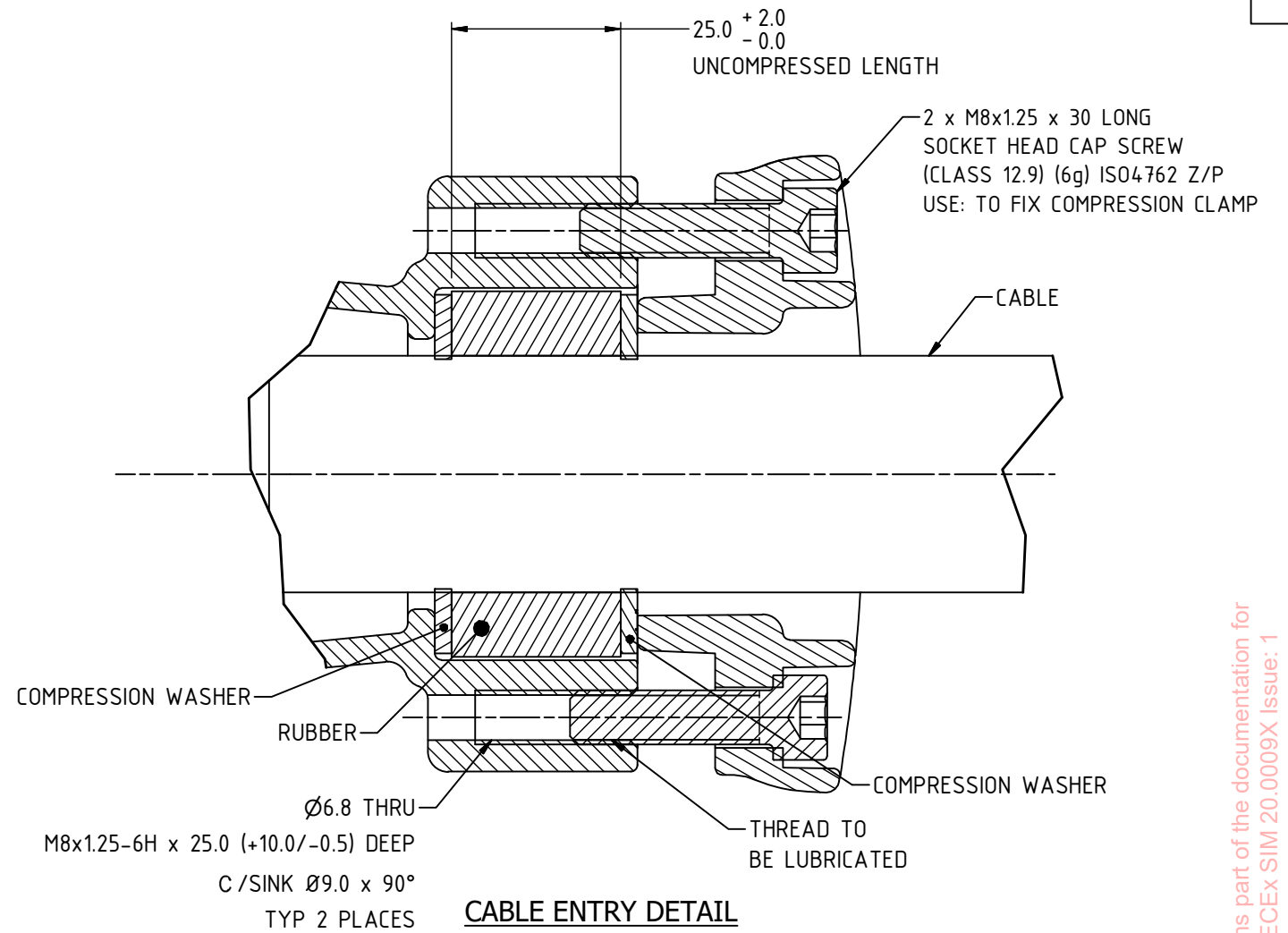


SIDE VIEW
COMPRESSION GLAND RUBBER



DETAIL 1

SPLIT IN RUBBER MUST BE CONTAINED WITH IN THE HATCHED AREA
TYPICAL ALL COMPRESSION GLAND RUBBER SIZES



CABLE ENTRY DETAIL

Compression Gland Part Sizes			
Gland Rubber I.D. (± 1.0)	Washer I.D. (± 1.0)	To Suit Cable O.D.	Fastener Torque (Nm)
14	22	10 - 14	10
17	22	14 - 17	10
20	22	17 - 20	10
23	34	20 - 23	10
26	34	23 - 26	10
29	34	26 - 29	10
32	34	29 - 32	10
35	41.5	32 - 35	10
38	41.5	35 - 38	10
40	41.5	38 - 40	20

THREAD CLASS TO ISO 965
COARSE THREAD PITCH TO ISO 262

This drawing forms part of the documentation for
 Certification: IECEx SIM 20.0009X Issue: 1
 Certification: ANZEx 16.2005X Issue: 6
 Alterations not authorised by Simtars may invalidate this certification.

AUSPROOF PTY LTD		DRAWN BY G.Coumossos		DRAWING NUMBER ExRPR60-C1303		PRODUCT NAME Common 60 Plug Cable Clamp Assembly CUSTOMER COPY		3		12/12/2024		D.Jensen		Added Compression Gland Table & Split Rubber Detail	
© COPYRIGHT RESERVED		APPROVED BY C.Taylor		SIZE A3		REVISION NUMBER		REVISION DATE		REVISION BY		REVISION DESCRIPTION			
DIMENSIONS (Metric-millimetre-mm) UNLESS OTHERWISE SPECIFIED		X.X 0.1 X.XX 0.05		ALL SURFACES TO UNLESS OTHERWISE NOTED		ISO 15									

Ex

Ex

FASTENER SCHEDULE

3 x M5 x 6 Z/P BUTTON HEAD SOCKET CAP SCREWS (Class 12.9) (6g) ISO 7380
AND 3 x M5 S/S BELLEVILLE LOCK WASHER
USE: EARTH FIXING SCREWS FOR PLUG CAGE BACK

1 x M5 x 75 Z/P SOCKET HEAD CAP SCREWS (Class 12.9) (6g) ISO 4762
USE: TO FIX PLUG FRONT CAGE AND BACK CAGE TOGETHER

2 x M8 x 30 Z/P SOCKET HEAD CAP SCREWS (Class 12.9) (6g) ISO 4762
USE: TO FIX COMPRESSION CLAMP

1 x M8 x 1.25 Z/P NYLOC NUTS (Class 8) (6H) ISO 7040
AND 1 x M8 Z/P WASHER (Class 8) (200HV) ISO 7089
USE: TO FIX PAWL SCREW INTO SOCKET BODY

1 x M5 x 12 Z/P SOCKET HEAD CAP SCREW (Class 12.9) (6g) ISO 4762
USE: TO FIX SOCKET STAR RETAINING PLATE

3 x M5 x 6 Z/P BUTTON HEAD SOCKET CAP SCREWS (Class 12.9) (6g) ISO 7380
AND 3 x M5 S/S BELLEVILLE LOCK WASHERS
USE: EARTH FIXING SCREWS FOR SOCKET CAGE

4 x 4 GAUGE x 1/4" Z/P HAMMER DRIVE
USE: FIXING LABEL TO RECEPTACLE AND PLUG

1 x M8 x 16 Z/P SET SCREW (Class 8.8) (6g) ISO 4017
AND 1 x M8 S/S BELLEVILLE LOCK WASHER
USE: EARTH FIXING SCREW ON MAIN FLANGE

4 x M8 x 45 (MIN LENGTH) Z/P SET SCREWS (Class 4.6) (6g) ISO 4017
WITH 4 x M8 x 1.25 Z/P NUTS (Class 8) (6H) ISO 4032
AND 8 x M8 Z/P WASHERS (Class 8) (200HV) ISO 7089
OPTIONAL M8 x 1.25 HARDWARE MAY BE USED MUST HAVE A MINIMUM YIELD STRESS OF 240MPa
USE: TO FIX GLAND BRACKET TO RECEPTACLE

FIXING RECEPTACLE TO Ex d ENCLOSURE: PROPERTY CLASS \geq 4.6*

*NOTE: SPECIFIED FASTENER PROPERTY CLASS TO BE \geq THE FASTENER PROPERTY CLASS SPECIFIED FOR THE Ex ENCLOSURE.

THREAD CLASS TO ISO 965

COARSE THREAD PITCH TO ISO 262

This drawing forms part of the documentation for
Certification: IECEx SIM 20.0009X Issue: 0
Alterations not authorised by Simtars may invalidate this certification.

AUSPROOF PTY LTD

© COPYRIGHT RESERVED

DRAWN BY

G.Coumessos

APPROVED BY

C.Taylor

SIZE

A3

DRAWING NUMBER

ExRPR60-C1307

PRODUCT NAME

Fastener Schedule
CUSTOMER COPY

2

REVISION NUMBER

07/10/2020

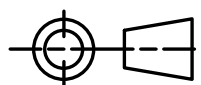
REVISION DATE

D.Jensen

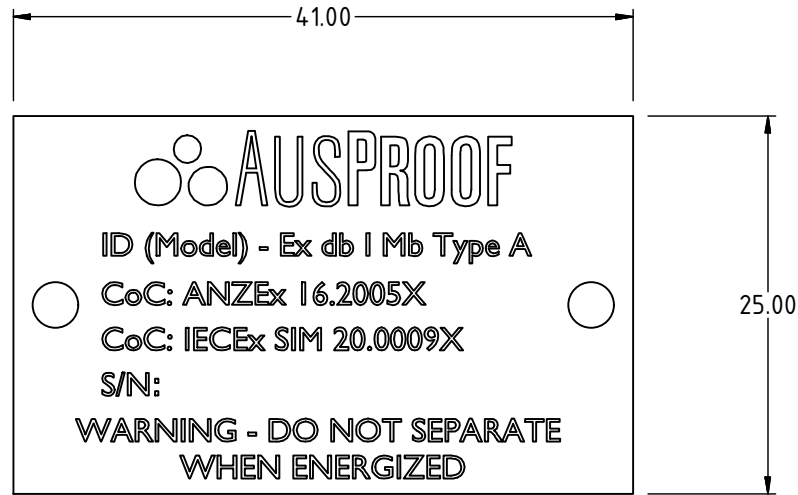
REVISION BY

Updated to IECEx Standards

REVISION DESCRIPTION

DIMENSIONS (Metric-millimetre-mm)
UNLESS OTHERWISE SPECIFIEDX.X 0.1
X.XX 0.05ALL SURFACES TO
UNLESS OTHERWISE NOTED

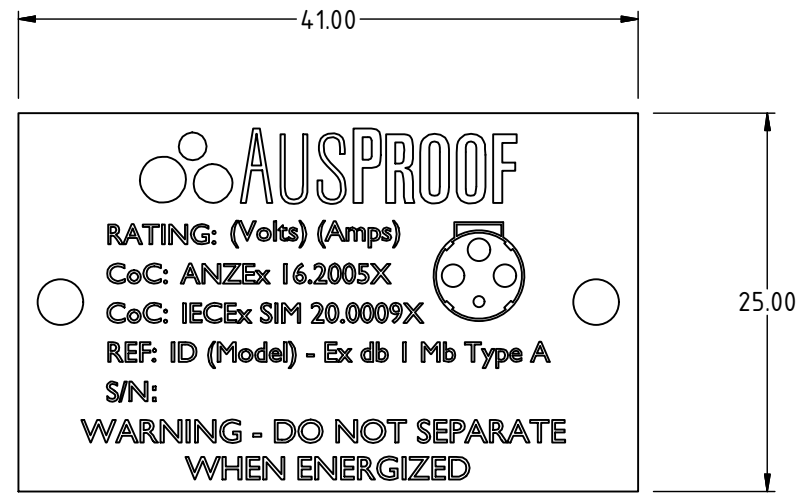
Ex



GLAND BRACKET / GLAND MOUNT PRODUCT DATA LABEL
AS PER TABLE 1.0

Table 1.0	
Model	Volts Range
GBPES	660 - 1100
GMPES	660 - 1100

Ex



PLUG AND RECEPTACLE PRODUCT DATA LABEL
AS PER TABLE 2.0

Table 2.0		
Model	Volts	Amps
P664	660V	60A
R664	660V	60A
P164	1100V	60A
R164	1100V	60A

This drawing forms part of the documentation for
 Certification: IECEx SIM 20.0009X Issue: 1
 Certification: ANZEx 16.2005X Issue: 6
 Alterations not authorised by Simtars may invalidate this certification.

AUSPROOF PTY LTD

© COPYRIGHT RESERVED

DRAWN BY

C.Taylor

APPROVED BY

L.Richards

SIZE

A3

DRAWING NUMBER

ExRPR60-C1308

PRODUCT NAME

Product marking labels
CUSTOMER COPY

2

REVISION NUMBER

15/03/2022

REVISION DATE

D.Jensen

REVISION BY

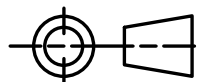
ADDED MISSING PLUG AND RECEPTACLE LABEL DETAILS

REVISION DESCRIPTION

DIMENSIONS (Metric-millimetre-mm)
UNLESS OTHERWISE SPECIFIED

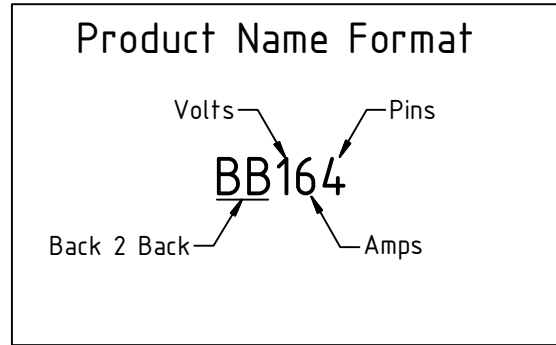
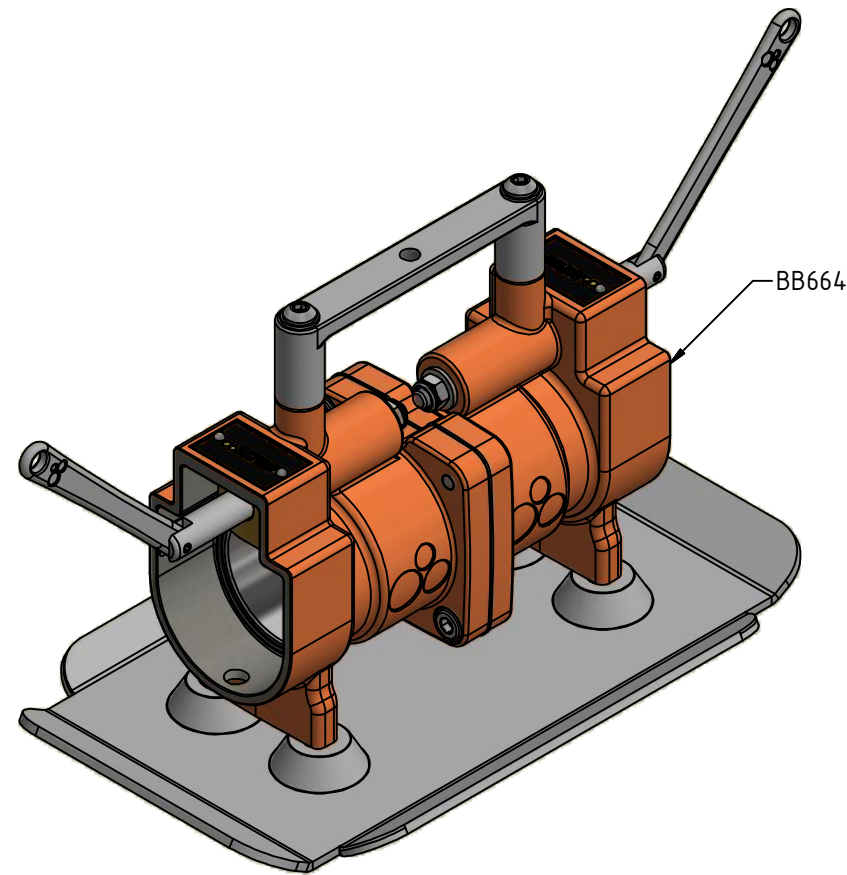
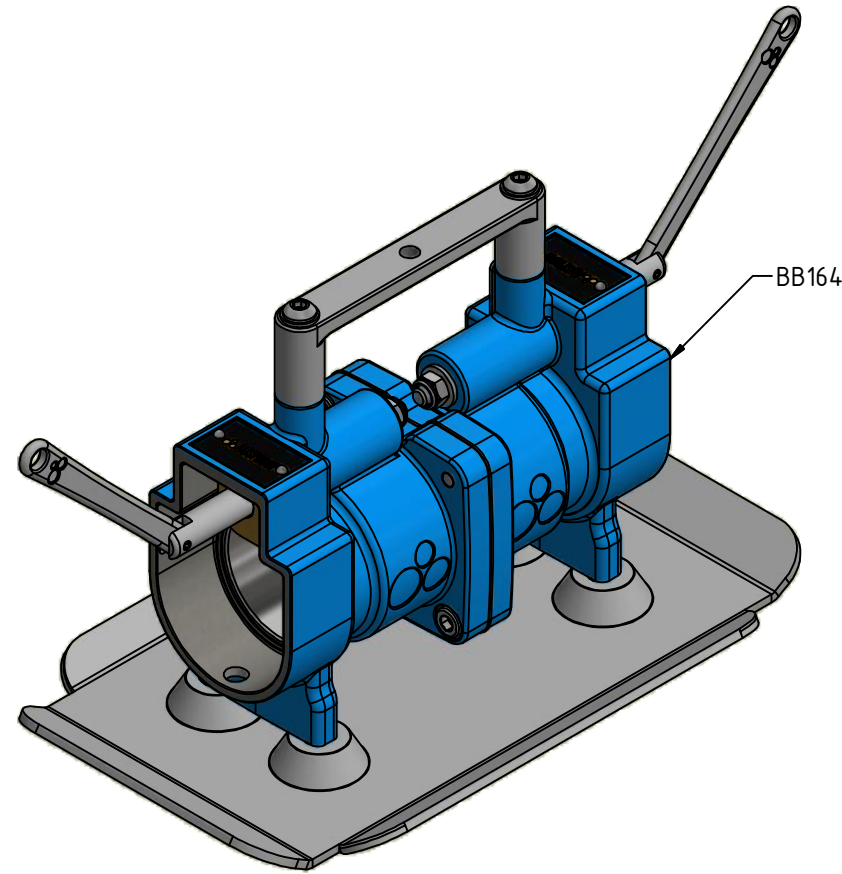
ALL SURFACES TO
UNLESS OTHERWISE NOTED

X.X 0.1
X.XX 0.05



Ex

Ex



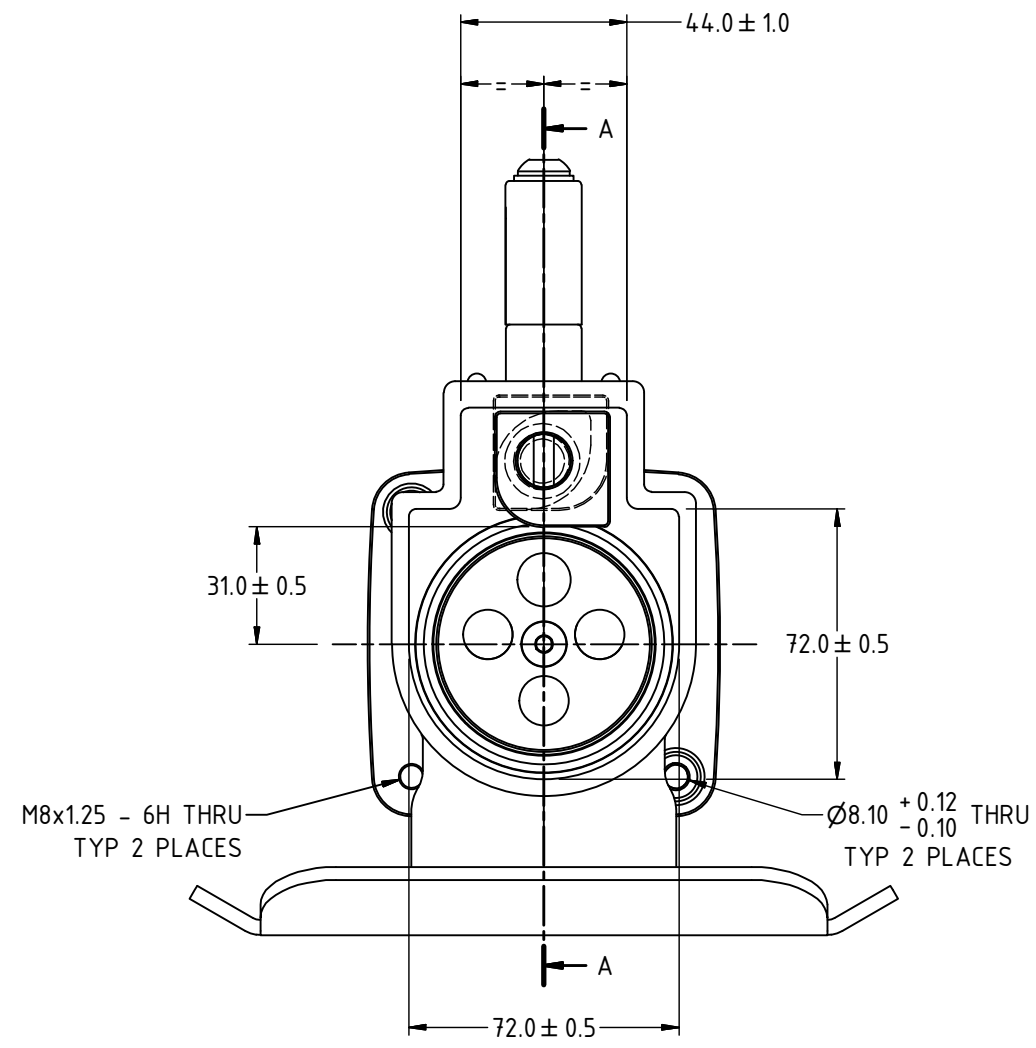
Note: Drawing numbers and their category
 ExB2B60-C1000 - Concept Drawings
 ExB2B60-C1100 - Flameproof
 ExB2B60-C1200 - Product Range
 ExB2B60-C1300 - General

This drawing forms part of the documentation for
 Certification: IECEx SIM 20.0009X Issue: 0
 Alterations not authorised by Simtars may invalidate this certification.

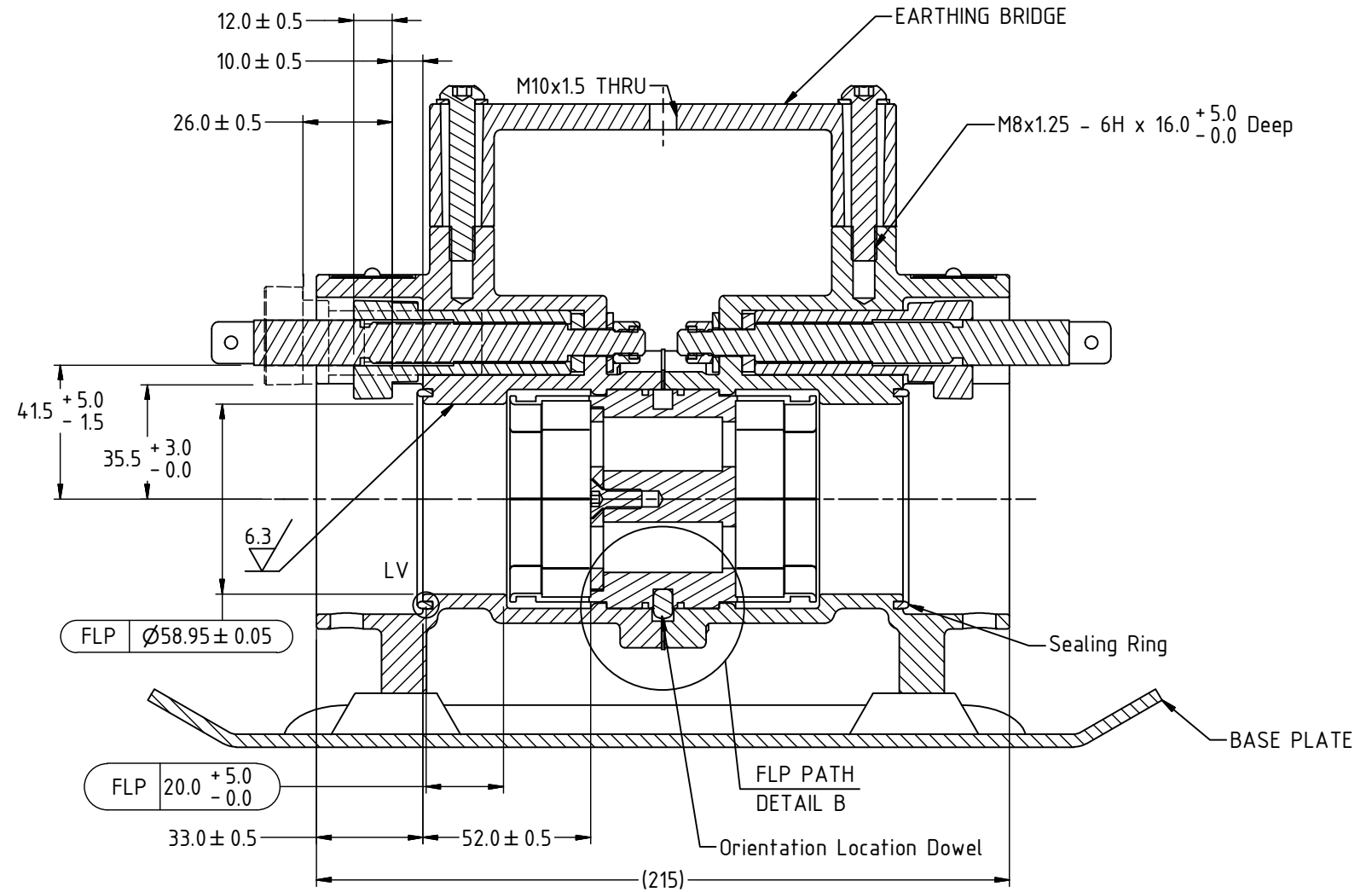
AUSPROOF PTY LTD		DRAWN BY G.Coumessos		DRAWING NUMBER ExB2B60-C1000		PRODUCT NAME 60 B2B Series Index CUSTOMER COPY		0		05/02/2019		D.Jensen		Updated to IECEx Standards	
© COPYRIGHT RESERVED		APPROVED BY C.Taylor		SIZE A3		REVISION NUMBER		REVISION DATE		REVISION BY		REVISION DESCRIPTION			
DIMENSIONS (Metric-millimetre-mm) UNLESS OTHERWISE SPECIFIED		X.X 0.1 X.XX 0.05				ALL SURFACES TO UNLESS OTHERWISE NOTED									

Ex

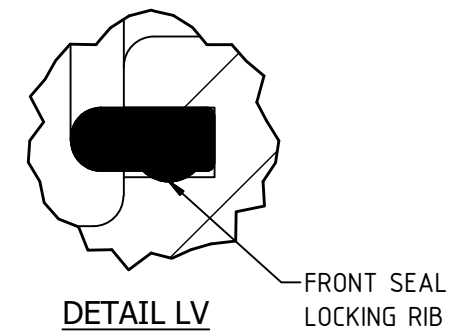
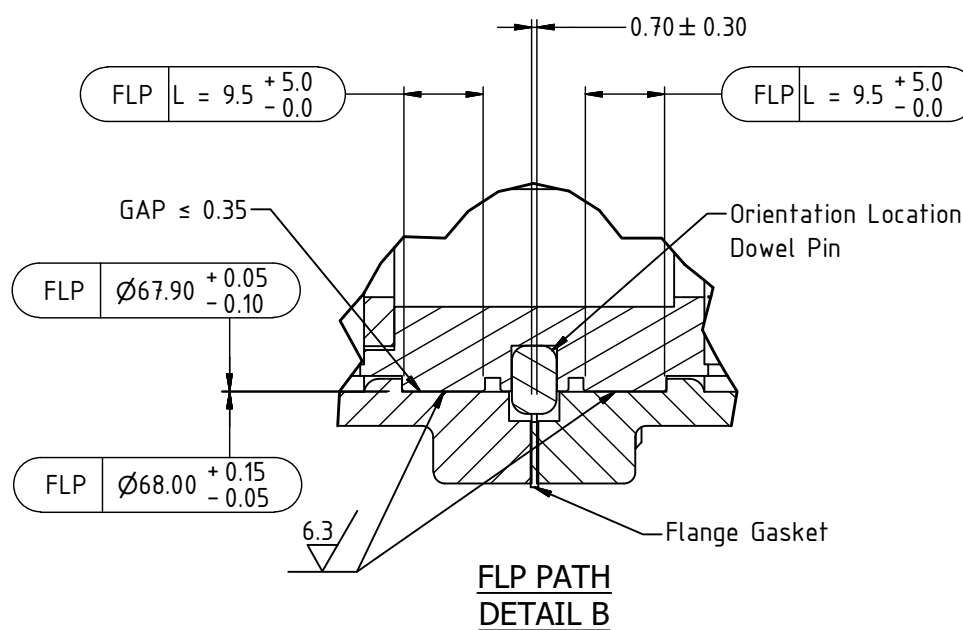
Ex



SIDE VIEW



SECTION A-A



AUSPROOF PTY LTD

© COPYRIGHT RESERVED

DRAWN BY

G.Coumessos

APPROVED BY

C.Taylor

SIZE

A3

DRAWING NUMBER

ExB2B60-C1100

PRODUCT NAME

Common B2B Receptacle Body
CUSTOMER COPY

0

REVISION NUMBER

05/02/2019

REVISION DATE

D.Jensen

REVISION BY

Updated to IECEx Standards

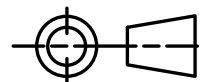
REVISION DESCRIPTION

DIMENSIONS (Metric-millimetre-mm)

UNLESS OTHERWISE SPECIFIED

ALL SURFACES TO
UNLESS OTHERWISE NOTED

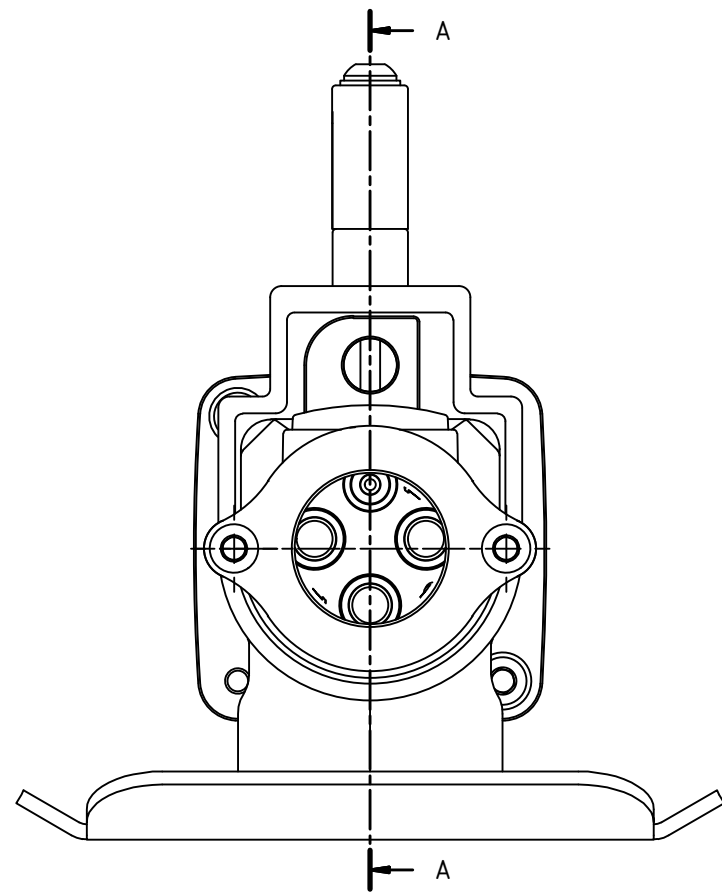
X.X 0.1
X.XX 0.05



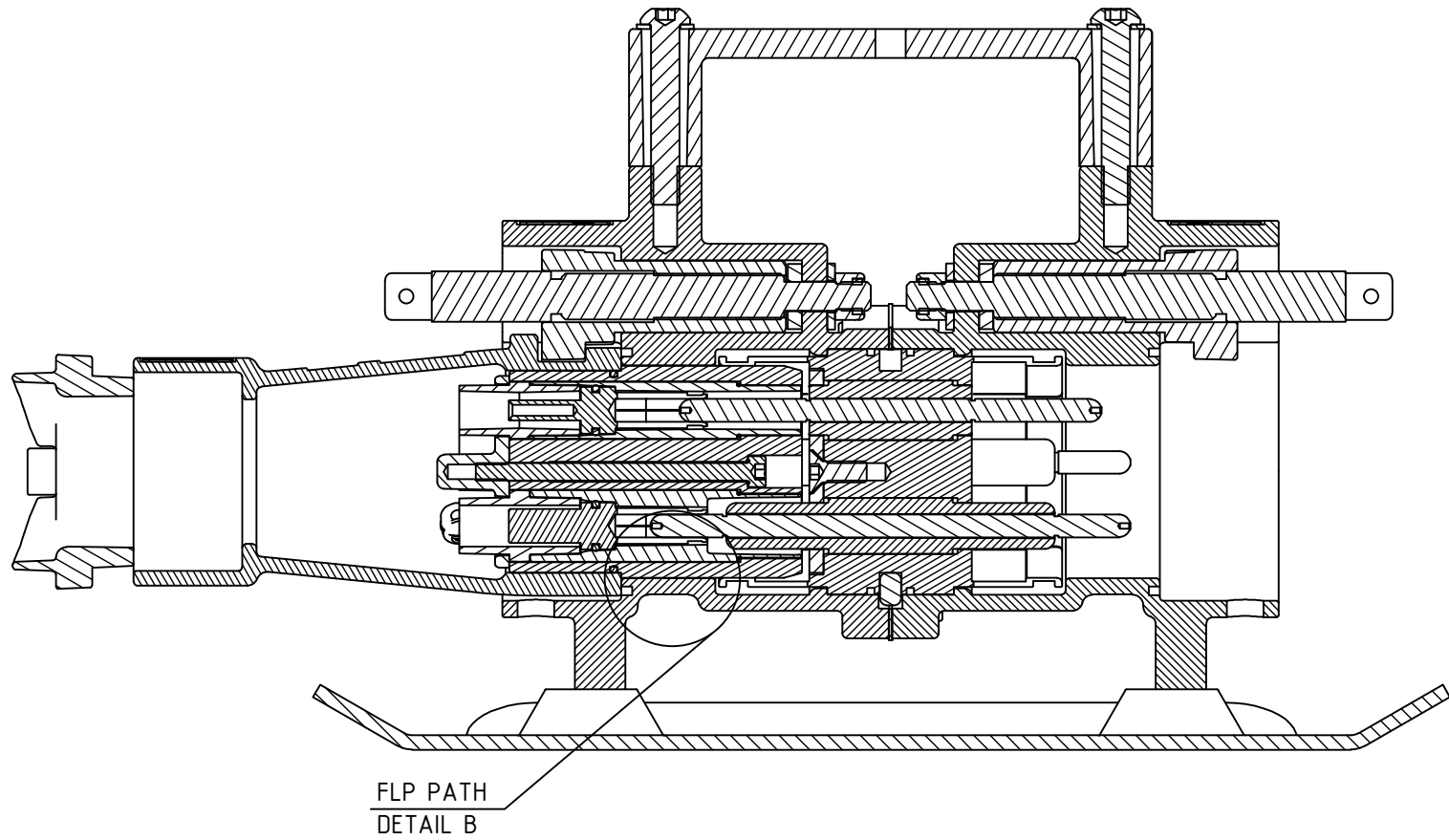
This drawing forms part of the documentation for
 Certification: IECEx SIM 20.0009X Issue: 0
 Alterations not authorised by Simtars may invalidate this certification.

Ex

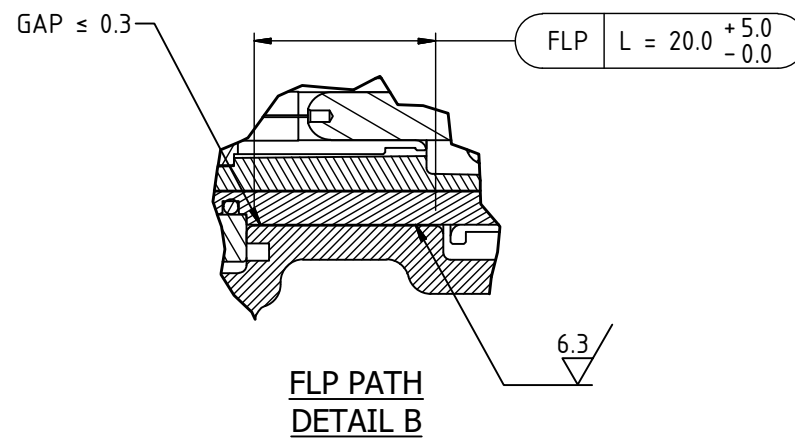
Ex



PLUG INSERTED INTO BACK TO BACK RECEPTACLE
END VIEW



SECTION A-A



This drawing forms part of the documentation for
 Certification: IECEx SIM 20.0009X Issue: 0
 Alterations not authorised by Simtars may invalidate this certification.

AUSPROOF PTY LTD

© COPYRIGHT RESERVED

DRAWN BY

G.Coumessos

APPROVED BY

C.Taylor

SIZE

A3

DRAWING NUMBER

ExB2B60-C1101

PRODUCT NAME

Plug And B2B Body Engaged
CUSTOMER COPY

0

REVISION NUMBER

05/02/2019

REVISION DATE

D.Jensen

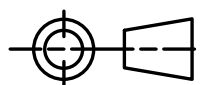
REVISION BY

Updated to IECEx Standards

REVISION DESCRIPTION

DIMENSIONS (Metric-millimetre-mm)
UNLESS OTHERWISE SPECIFIED

X.X 0.1
X.XX 0.05



ALL SURFACES TO
UNLESS OTHERWISE NOTED

Ex

Ex

FASTENER SCHEDULE

2 x M8x1.25 x 50 Z/P BUTTON HEAD SOCKET CAP SCREWS (CLASS 12.9) (6g) ISO 7380
AND 2 x M8 S/S BELLEVILLE LOCK WASHERS
USE: EARTH FIXING SCREWS FOR EARTH BRIDGE

2 x M8x1.25 Z/P NYLOC NUTS (CLASS 8) (6H) ISO 7040
AND 2 x M8 Z/P WASHER (CLASS 8) (200HV) ISO 7089
USE: TO FIX PAWL SCREW INTO B2B BODY

4 x 4GAUGE X 1/4" Z/P HAMMER DRIVE
USE: FIXING LABELS TO B2B BODY

4 x M8x1.25 x 20 Z/P SET SCREW (CLASS 4.6) (6g) ISO 4017
AND 4 x M8 B/S WASHER (CLASS 4) (200HV) ISO 7089
USE: FIX BASE PLATE ONTO B2B BODY

4 x M8x1.25 x 20 Z/P SOCKET HEAD CAP SCREWS (CLASS 12.9) (6g) ISO 4762
USE: TO FIX B2B BODIES TOGETHER

1 x M6x1.0 x 16 Z/P COUNTERSUNK SOCKET HEAD SCREW (CLASS 12.9) (6g) ISO 10642
USE: TO FIX RETAINING PLATE TO CAGE

1 x Ø5.9 x 9.0MM DOWEL PIN
USE: FOR CAGE LOCATION

THREAD CLASS TO ISO 965
COARSE THREAD PITCH TO ISO 262

This drawing forms part of the documentation for
Certification: IECEX SIM 20.0009X Issue: 0
Alterations not authorised by Simtars may invalidate this certification.

AUSPROOF PTY LTD

© COPYRIGHT RESERVED

DRAWN BY

G.Coumessos

APPROVED BY

C.Taylor

SIZE

A3

DRAWING NUMBER

ExB2B60-C1305

PRODUCT NAME

FASTENER SCHEDULE
CUSTOMER COPY

0

REVISION NUMBER

05/02/2019

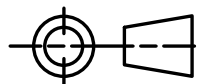
REVISION DATE

D.Jensen

REVISION BY

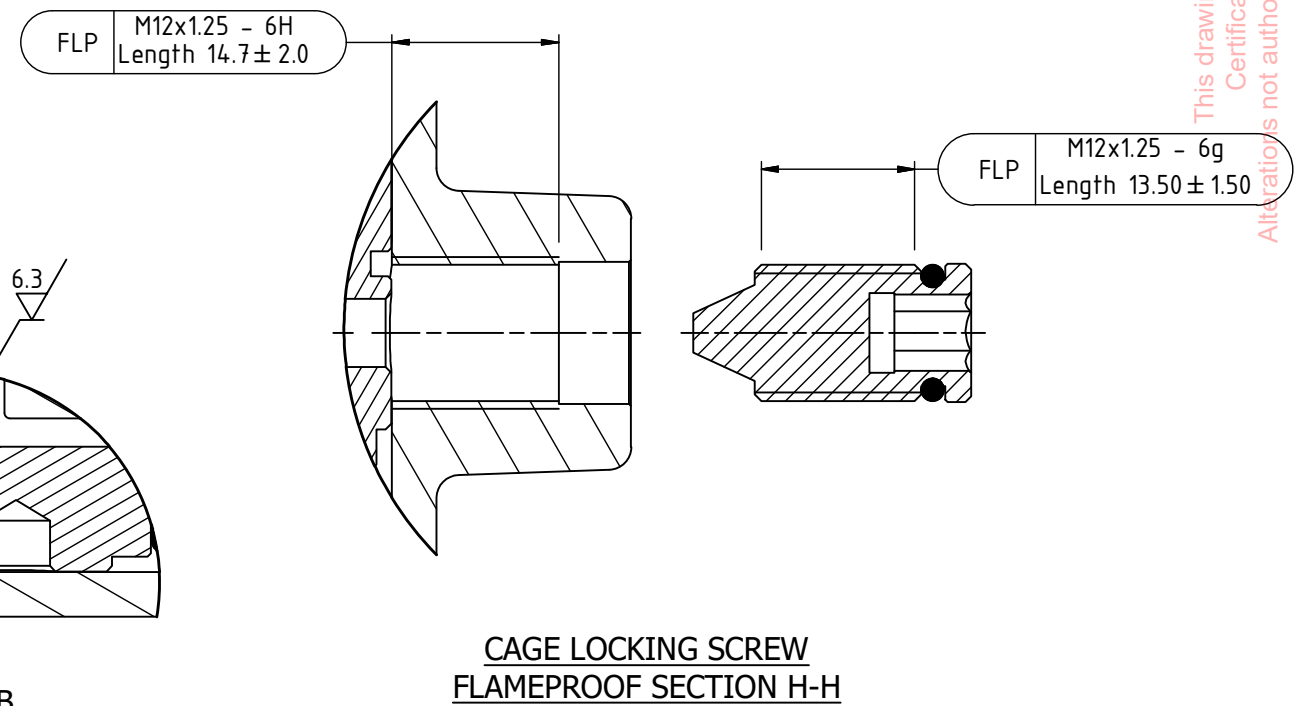
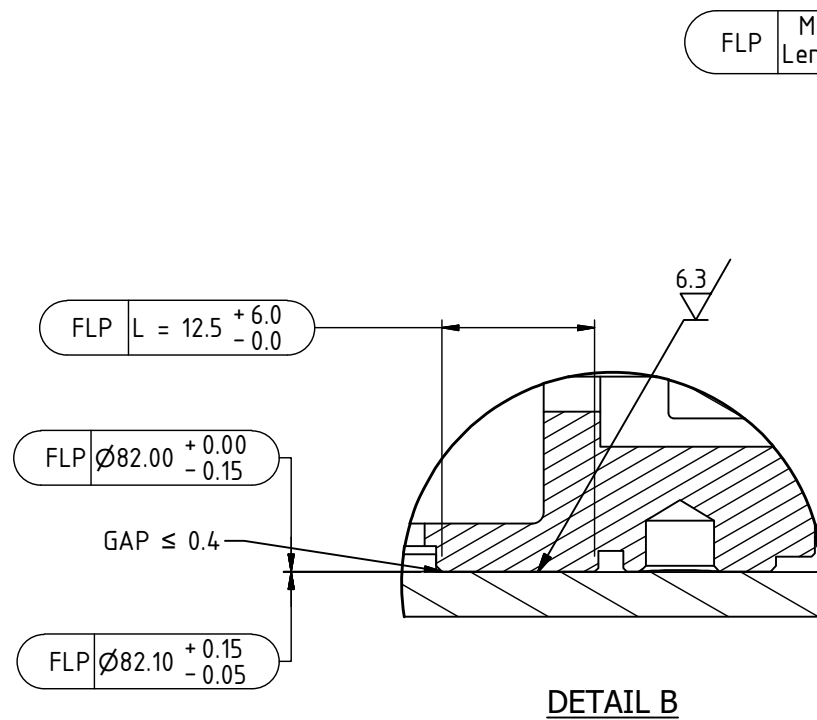
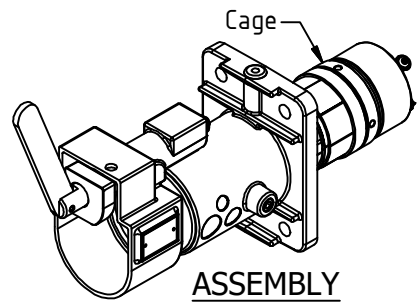
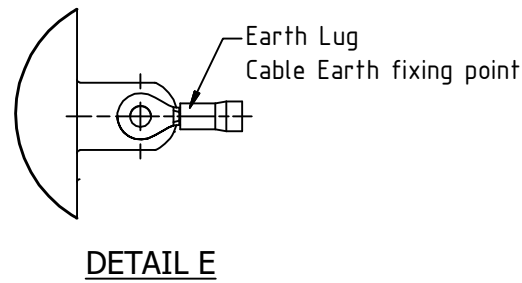
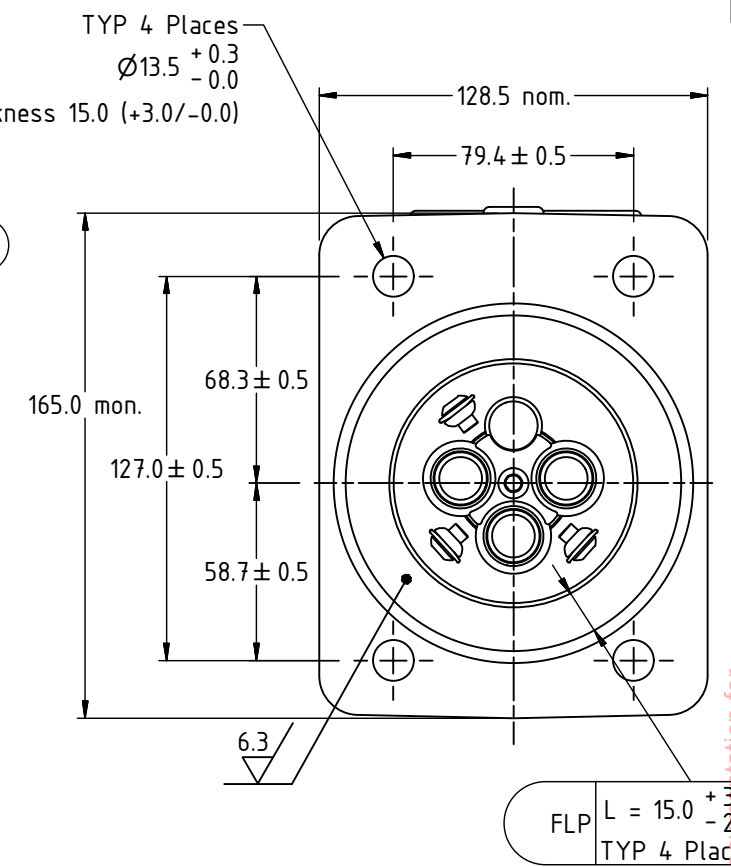
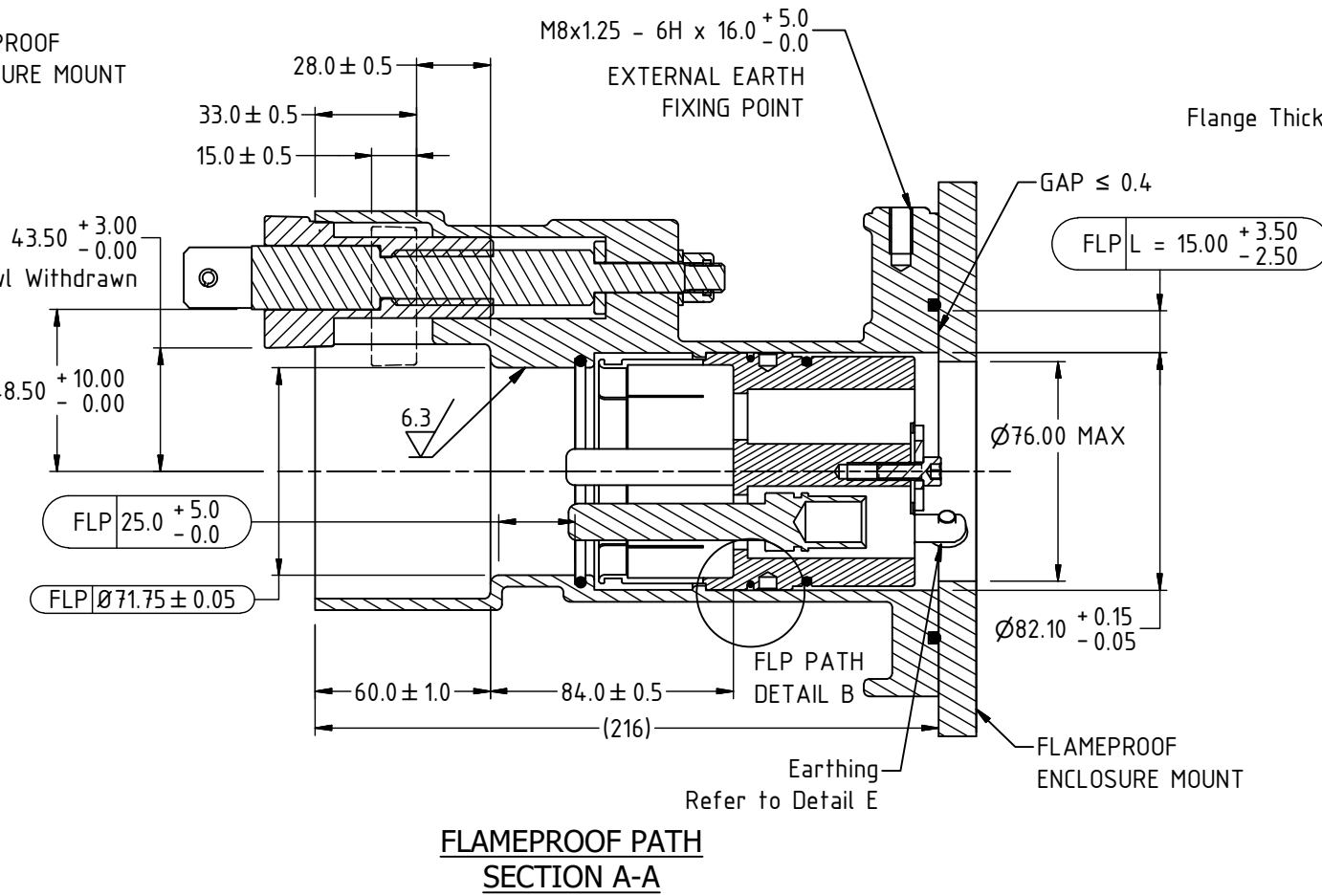
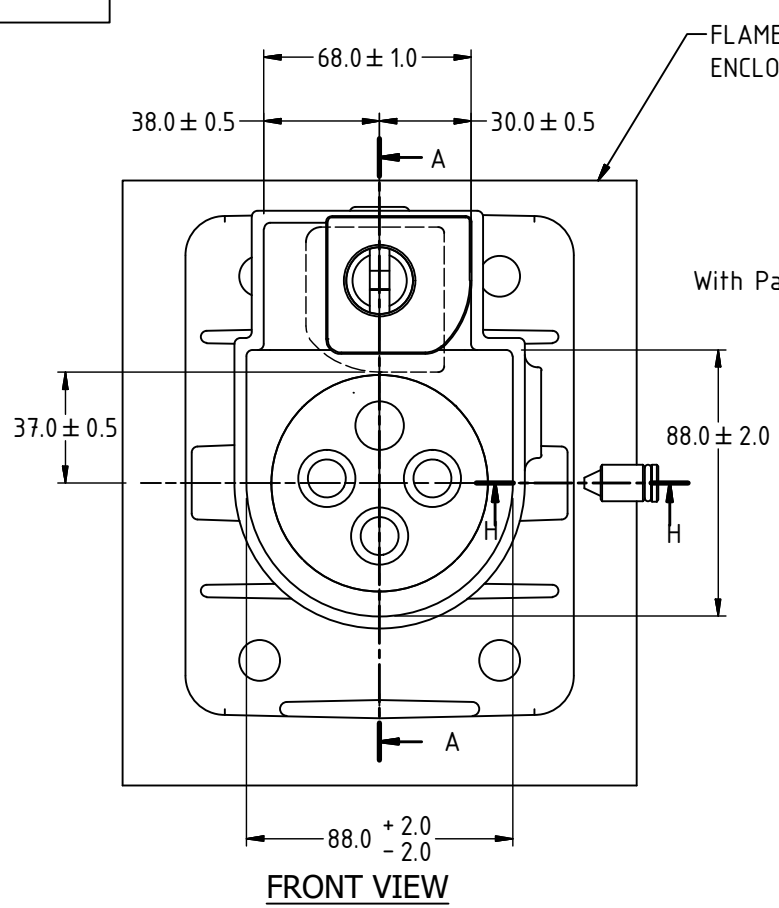
Updated to IECEX Standards

REVISION DESCRIPTION

DIMENSIONS (Metric-millimetre-mm)
UNLESS OTHERWISE SPECIFIEDX.X 0.1
X.XX 0.05ALL SURFACES TO
UNLESS OTHERWISE NOTED

Ex

Ex

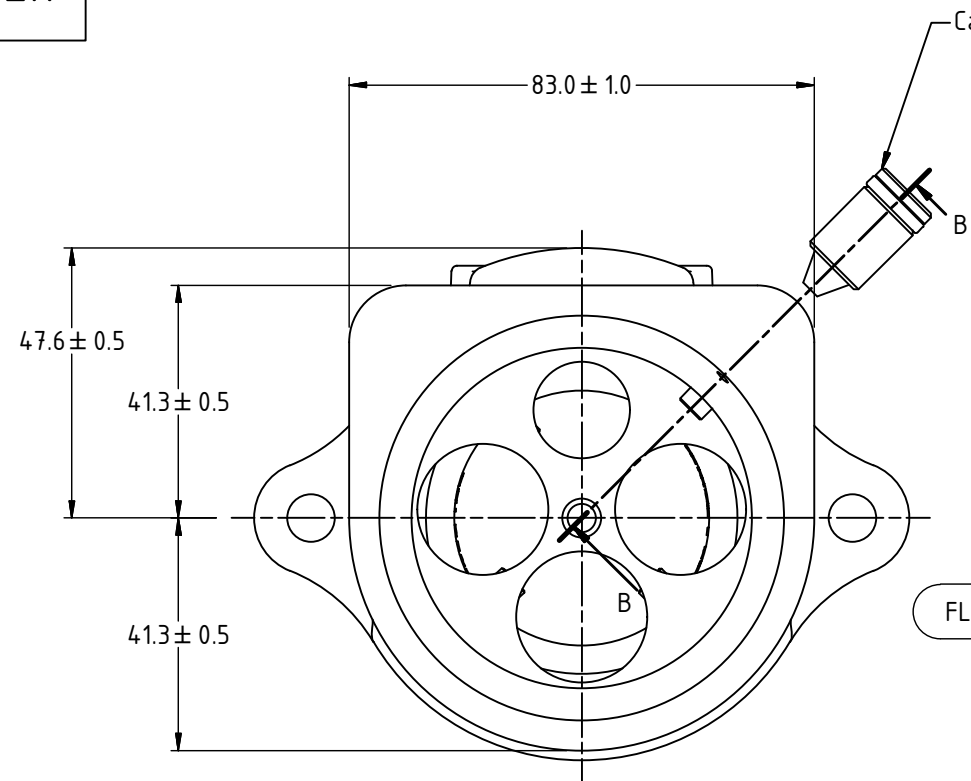


This drawing forms part of the documentation for
 Certification: IECEx SIM 20.0009X Issue: 0
 Alterations not authorised by Simtars may invalidate this certification.

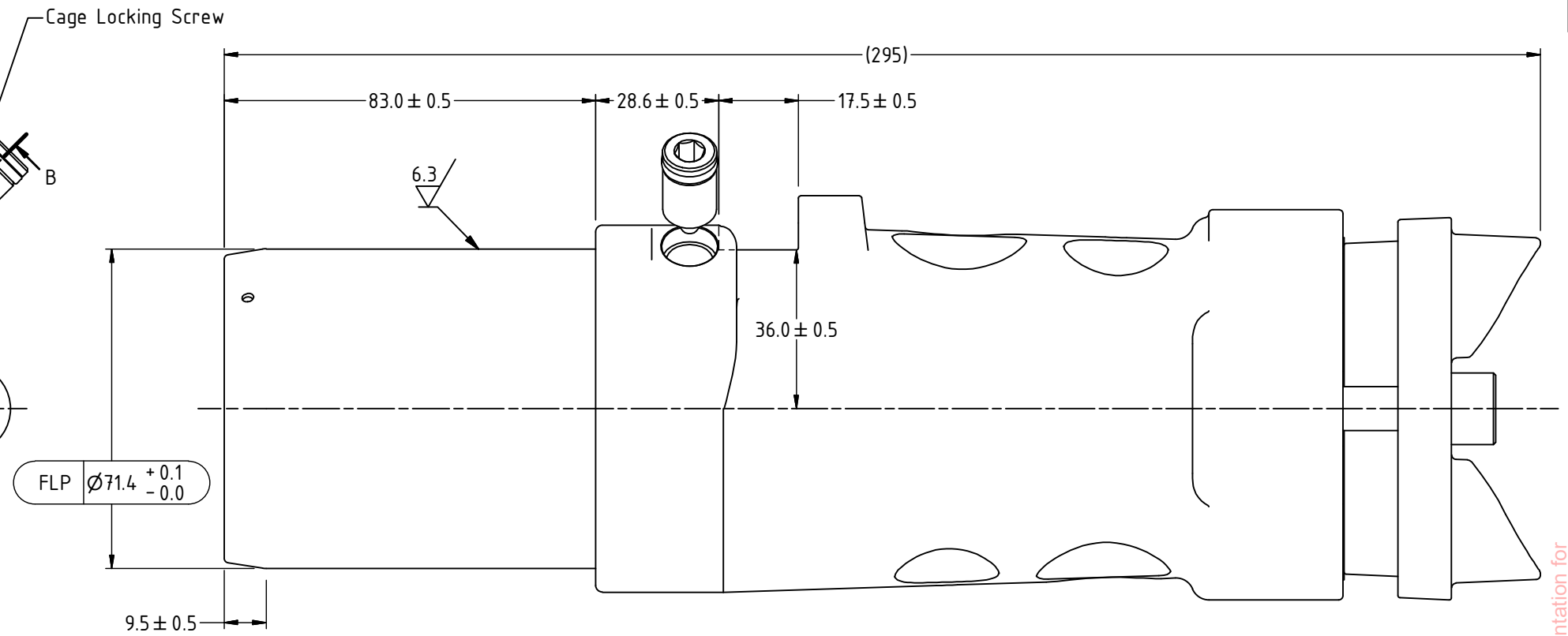
AUSPROOF PTY LTD		DRAWN BY G.Coumassos		DRAWING NUMBER ExRPR150M2-C1100		PRODUCT NAME Common 150 Receptacle Body CUSTOMER COPY		1 REVISION NUMBER		07/10/2020 REVISION DATE		D.Jensen REVISION BY		Updated to IECEx Standards REVISION DESCRIPTION	
© COPYRIGHT RESERVED		APPROVED BY C.Taylor		SIZE A3											
DIMENSIONS (Metric-millimetre-mm) UNLESS OTHERWISE SPECIFIED		X.X 0.1 X.XX 0.05		ALL SURFACES TO UNLESS OTHERWISE NOTED											

Ex

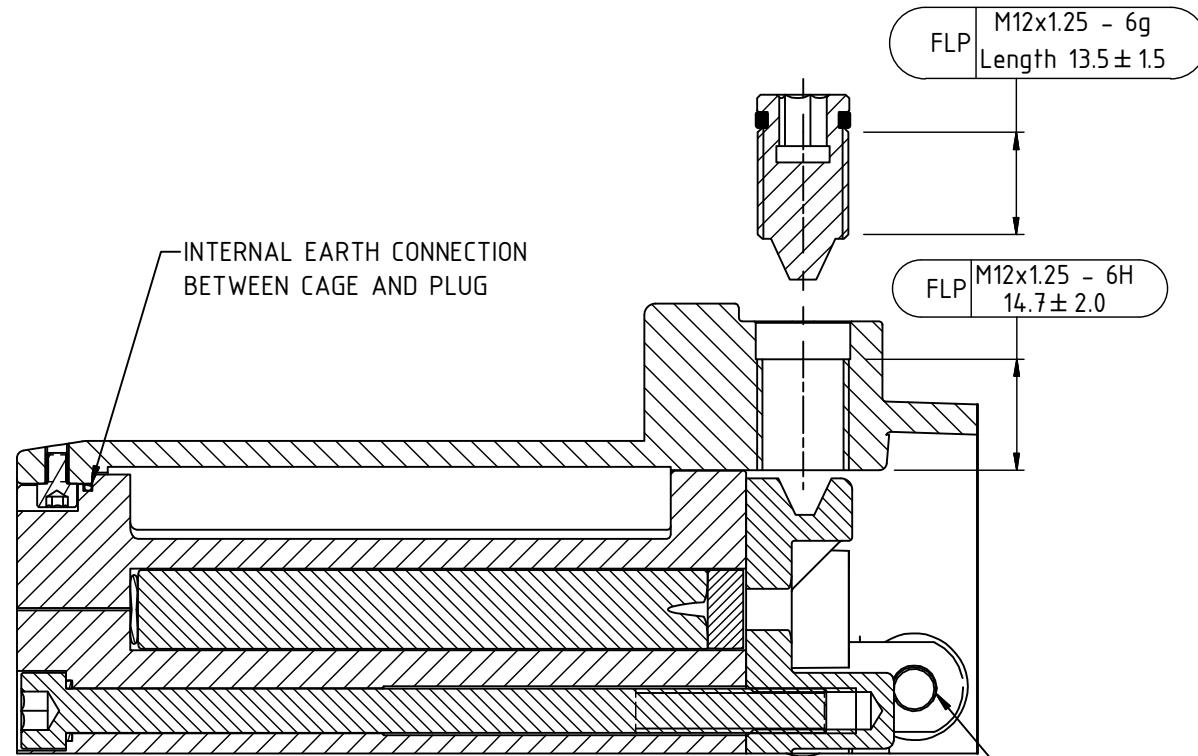
Ex



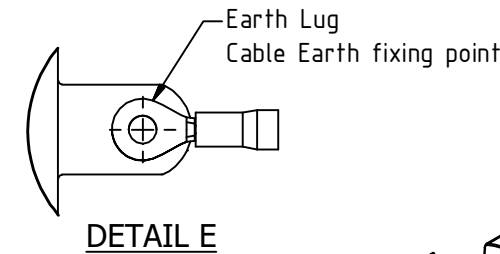
FRONT VIEW



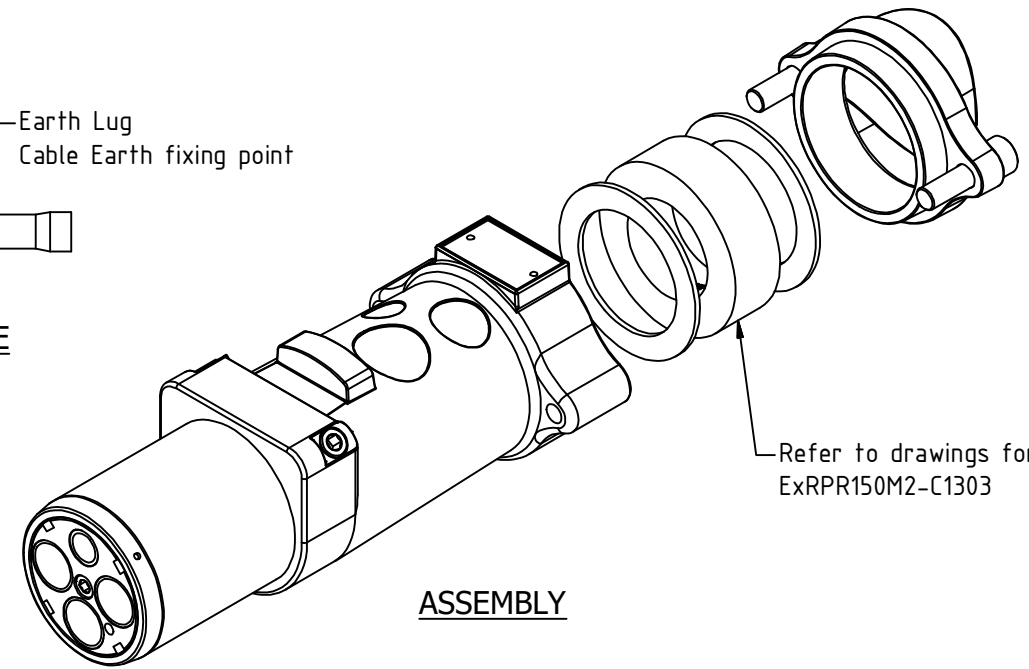
FLAMEPATH DETAIL OF PLUG BODY



CAGE LOCKING SCREW FLAME PROOF PATH SECTION B-B



DETAIL E



ASSEMBLY

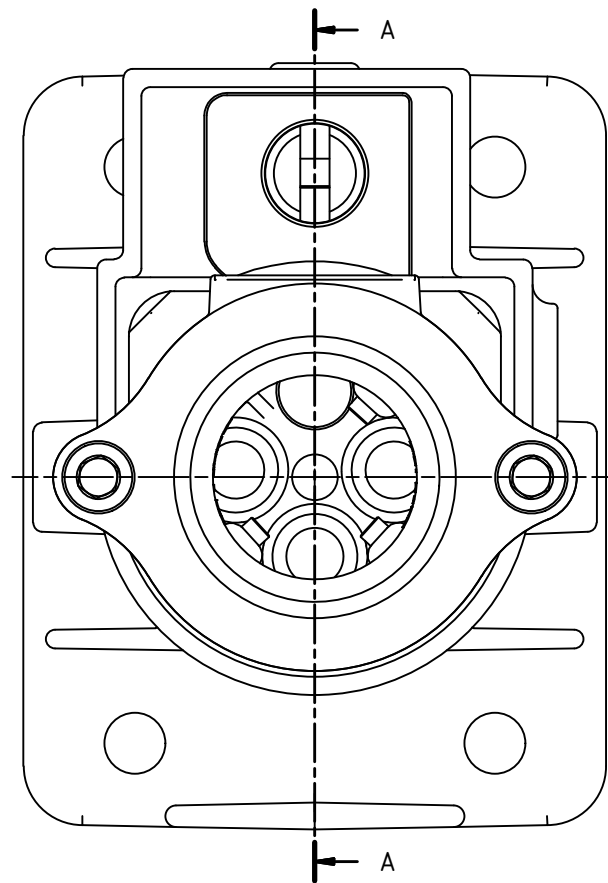
Earthing Refer to Detail E

This drawing forms part of the documentation for Certification: IECEx SIM 20.0009X Issue: 1 Certification: ANZEx 16.2005X Issue: 6 Alterations not authorised by Simtars may invalidate this certification.

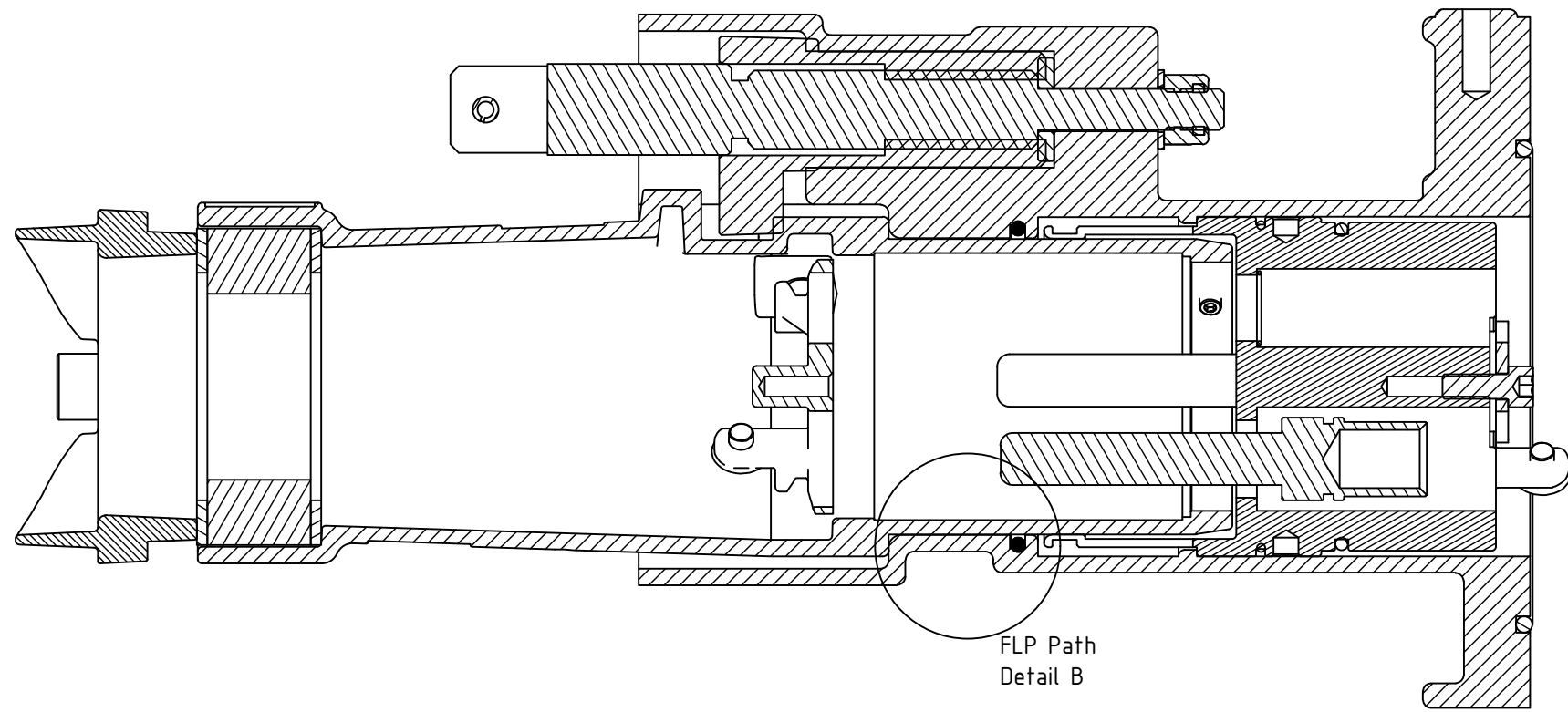
AUSPROOF PTY LTD		DRAWN BY G.Coumossos		DRAWING NUMBER ExRPR150M2-C1101		PRODUCT NAME Common 150 Plug Body CUSTOMER COPY		3		08/01/2025		D.MINENKO		Refer to drawings for Gland details: ExRPR150M2-C1303	
© COPYRIGHT RESERVED		APPROVED BY C.Taylor		SIZE A3		REVISION NUMBER		REVISION DATE		REVISION BY		REVISION DESCRIPTION			
DIMENSIONS (Metric-millimetre-mm) UNLESS OTHERWISE SPECIFIED		X.X 0.1 X.XX 0.05													
ALL SURFACES TO UNLESS OTHERWISE NOTED															

Ex

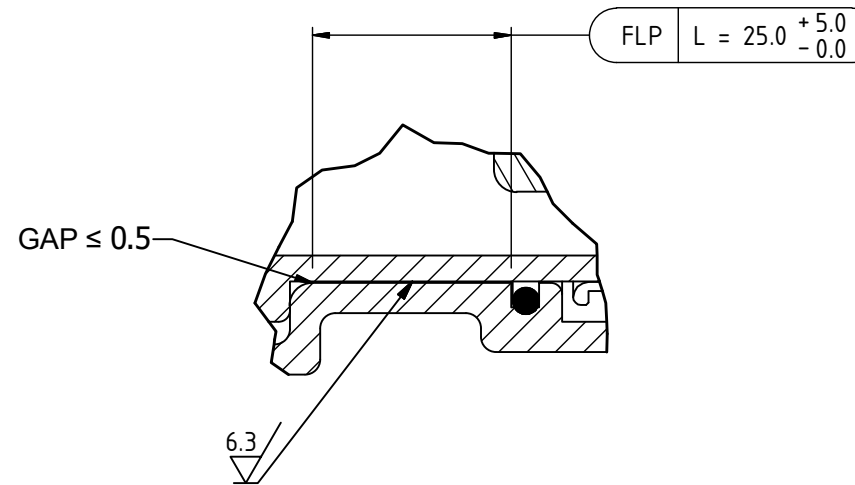
Ex



PLUG RECEPTACLE COUPLING
END VIEW



SECTION A-A



DETAIL B

This drawing forms part of the documentation for
Certification: IECEx SIM 20.0009X Issue: 0
Alterations not authorised by Simtars may invalidate this certification.

AUSPROOF PTY LTD

© COPYRIGHT RESERVED

DRAWN BY

G.Coumossos

APPROVED BY

C.Taylor

SIZE

A3

DRAWING NUMBER

ExRPR150M2-C1102

PRODUCT NAME

150 PLUG & RECEPTACLE ENGAGED
CUSTOMER COPY

1

REVISION NUMBER

07/10/2020

REVISION DATE

D.Jensen

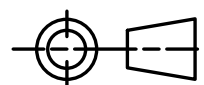
REVISION BY

Updated to IECEx Standards

REVISION DESCRIPTION

DIMENSIONS (Metric-millimetre-mm)
UNLESS OTHERWISE SPECIFIED

X.X 0.1
X.XX 0.05

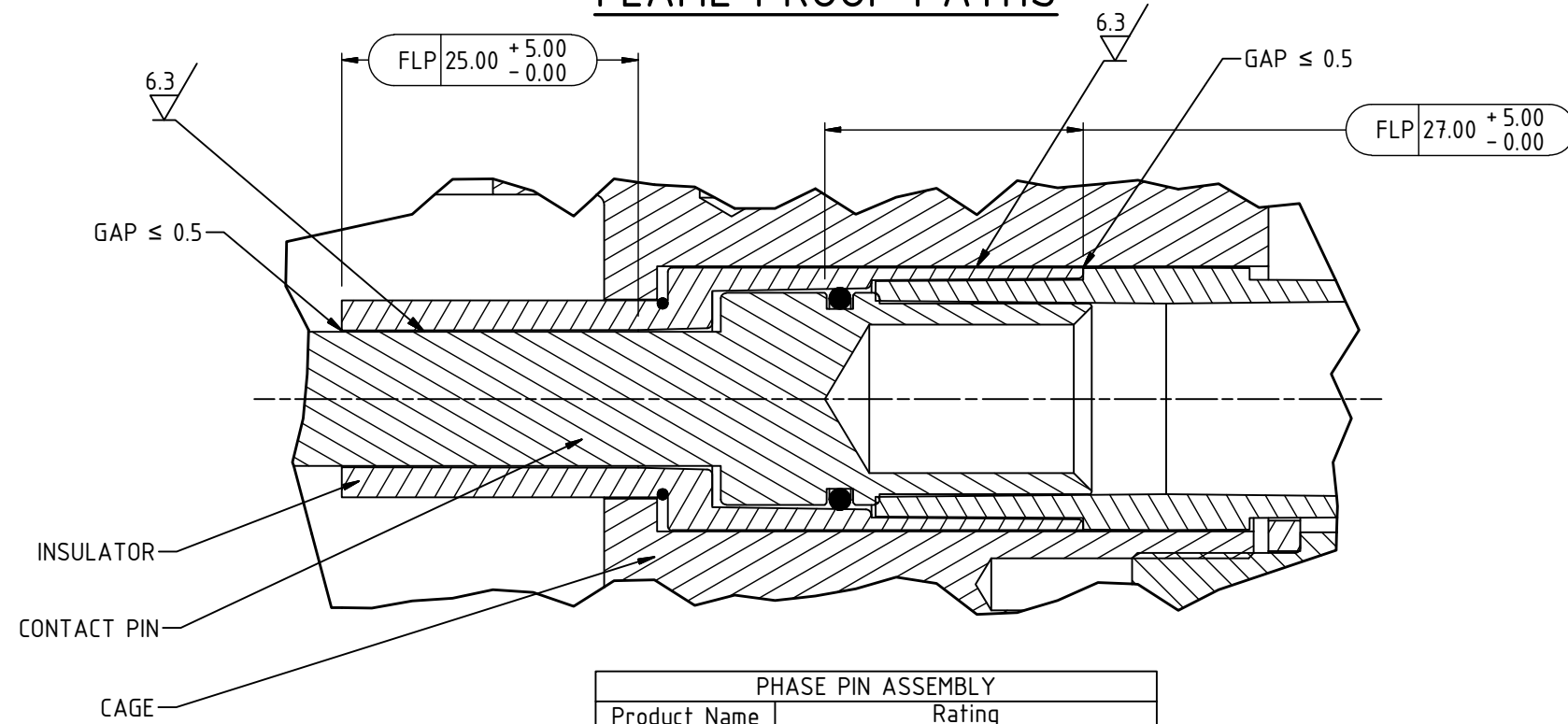


ALL SURFACES TO
UNLESS OTHERWISE NOTED

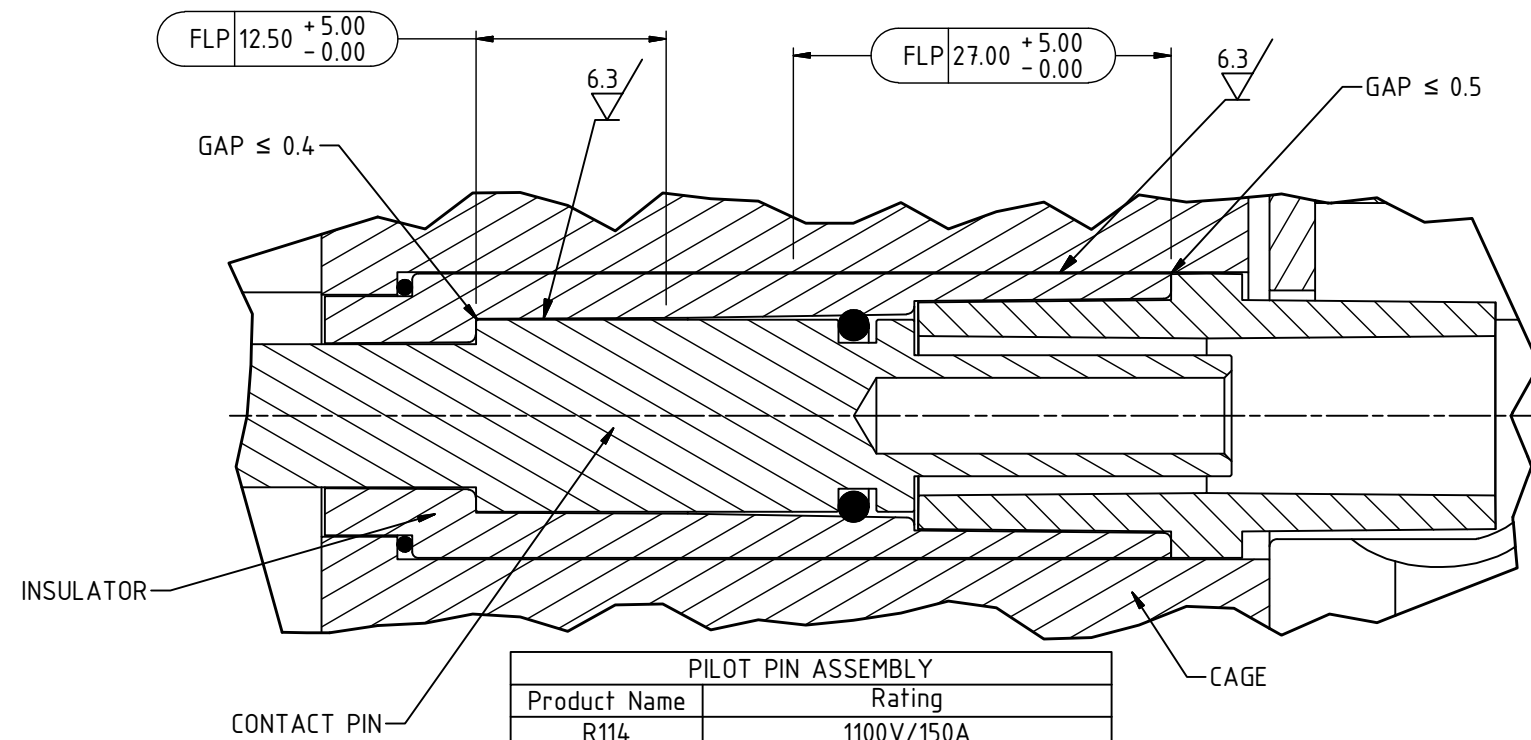
Ex

Ex

RECEPTACLE CONTACT/INSULATOR/CAGE ASSEMBLY FLAME PROOF PATHS



PHASE PIN ASSEMBLY	
Product Name	Rating
R114	1100V/150A
R614	660V/150A



PILOT PIN ASSEMBLY	
Product Name	Rating
R114	1100V/150A
R614	660V/150A

This drawing forms part of the documentation for
 Certification: IECEx SIM 20.0009X Issue: 0
 Alterations not authorised by Simtars may invalidate this certification.

AUSPROOF PTY LTD

© COPYRIGHT RESERVED

DRAWN BY

G.Coumossos

APPROVED BY

C.Taylor

SIZE

A3

DRAWING NUMBER

ExRPR150M2-C1103

PRODUCT NAME

150 FLAME PATH SPECIFICATIONS
CUSTOMER COPY

1

REVISION NUMBER

07/10/2020

REVISION DATE

D.Jensen

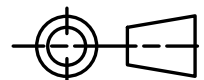
REVISION BY

Updated to IECEx Standards

REVISION DESCRIPTION

DIMENSIONS (Metric-millimetre-mm)
UNLESS OTHERWISE SPECIFIED

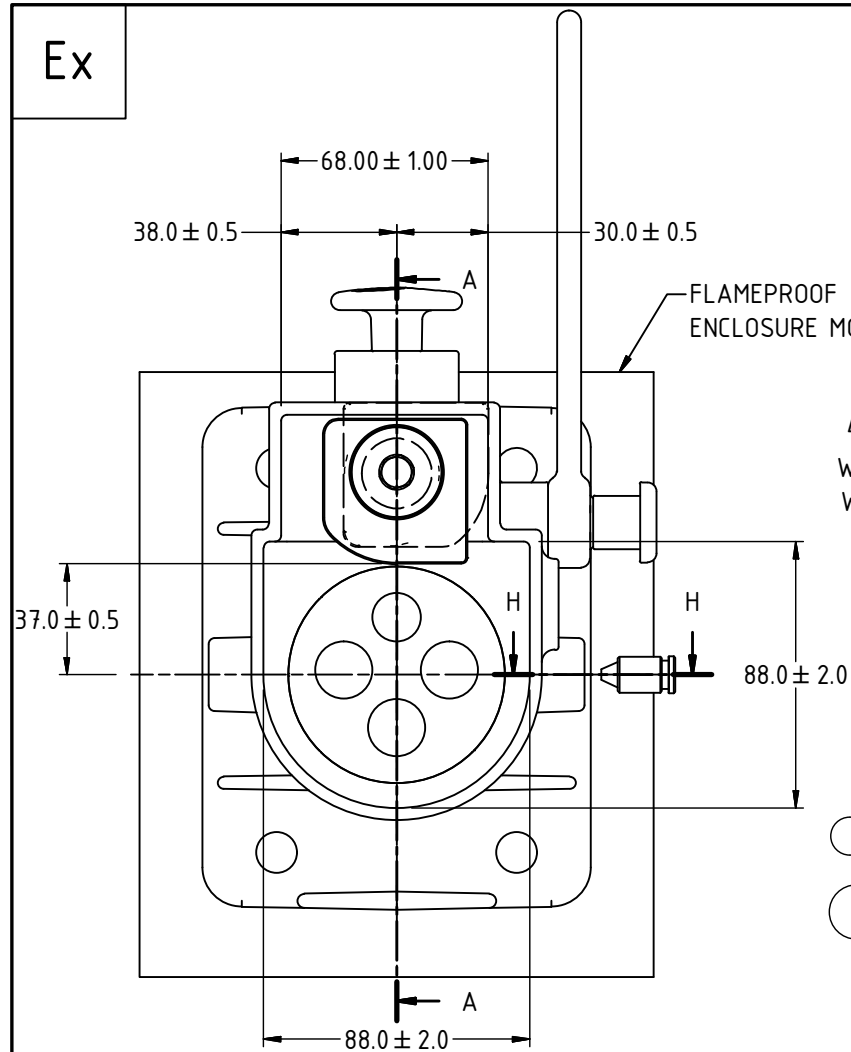
X.X 0.1
X.XX 0.05



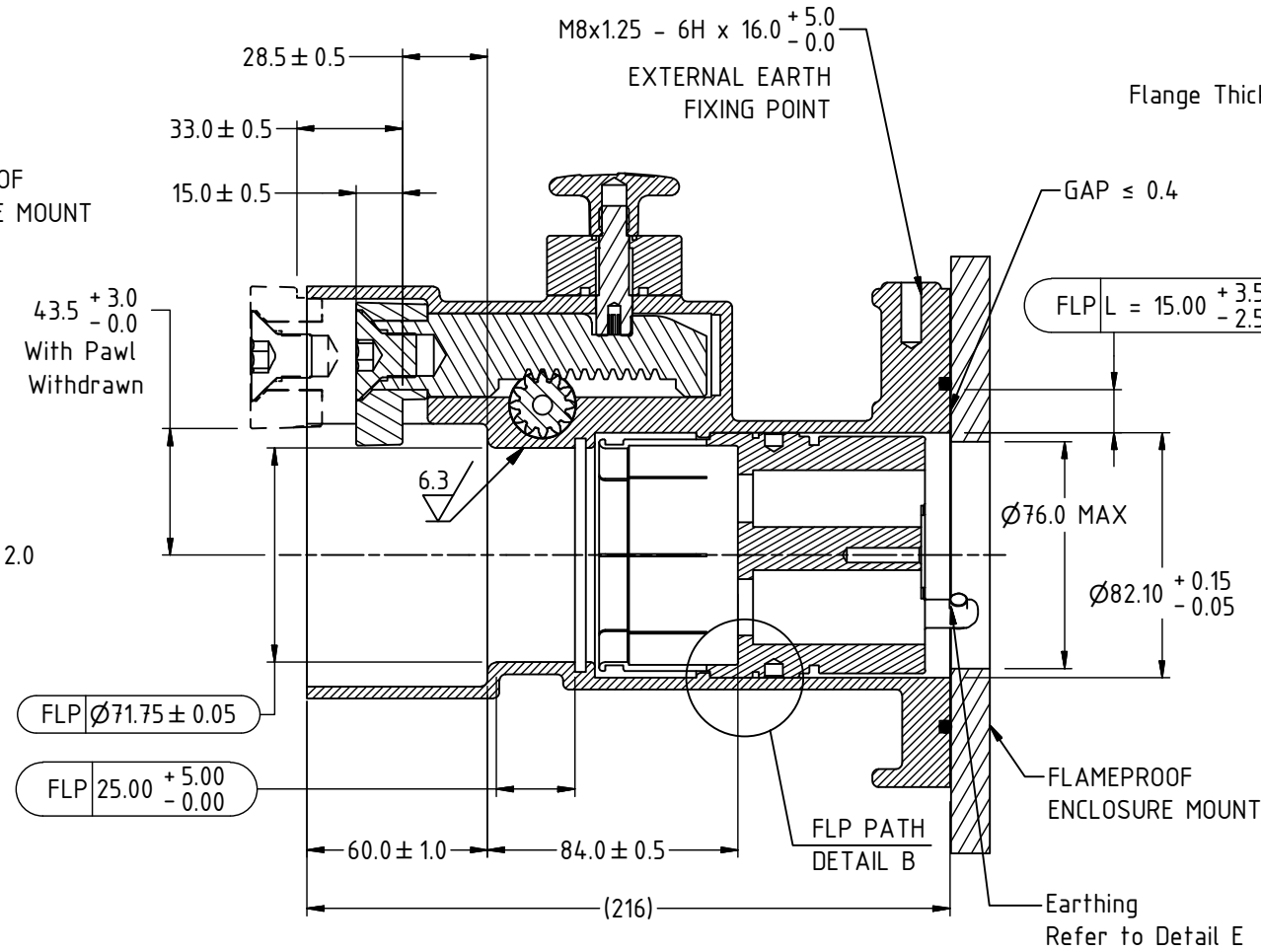
ALL SURFACES TO
UNLESS OTHERWISE NOTED

Ex

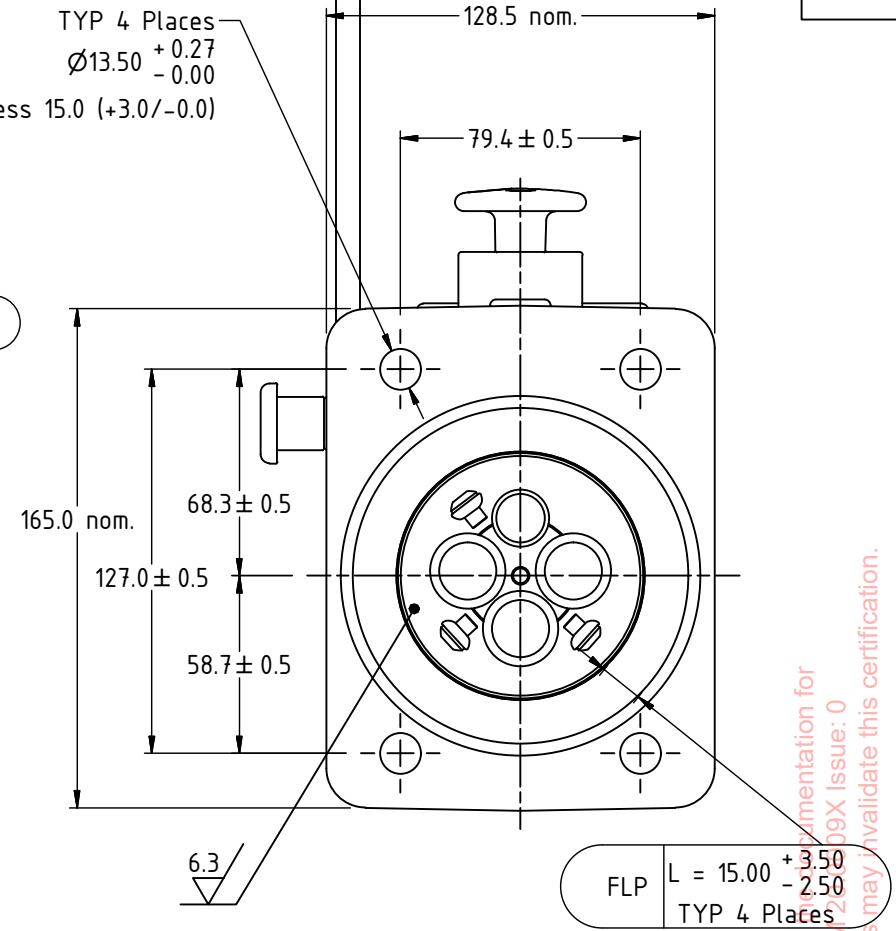
Ex



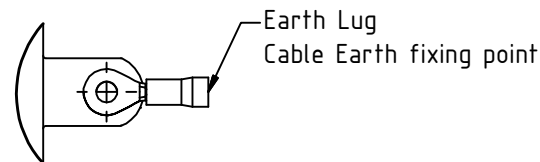
FRONT VIEW



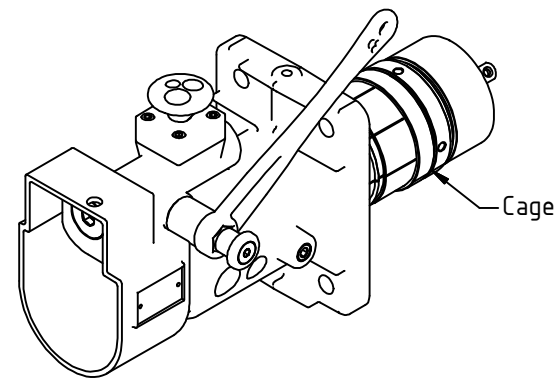
FLAMEPROOF PATH SECTION A-A



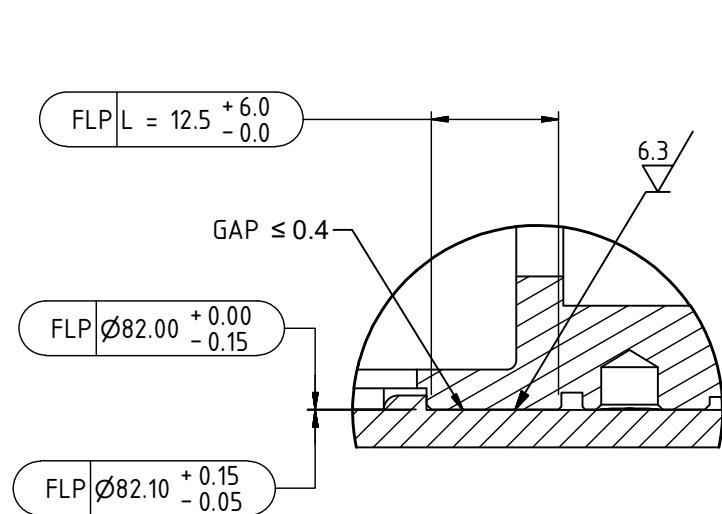
REAR FLANGE FLAME PROOF DETAILS



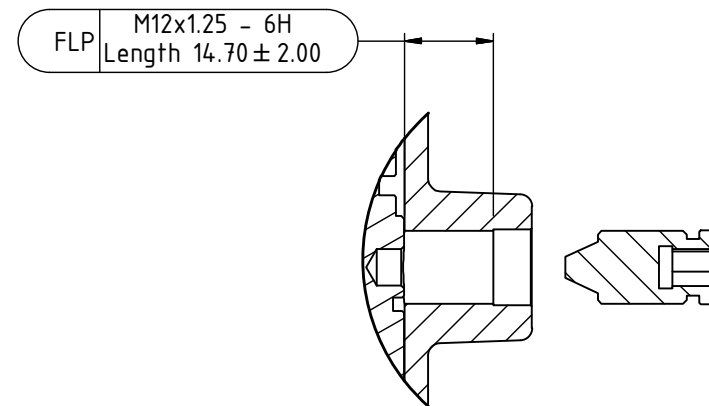
DETAIL E



ASSEMBLY



DETAIL B



CAGE LOCKING SCREW FLAMEPROOF SECTION H-H

This drawing forms part of the documentation for Certification: IECEx SIM 2009X Issue: 0 Alterations not authorised by Simtars may invalidate this certification.

AUSPROOF PTY LTD

© COPYRIGHT RESERVED

DRAWN BY

G.Coumossos

APPROVED BY

C.Taylor

SIZE

A3

DRAWING NUMBER

ExRPR150M2-C1104

PRODUCT NAME

Com 150 QR Receptacle Body
CUSTOMER COPY

1

REVISION NUMBER

07/10/2020

REVISION DATE

D.Jensen

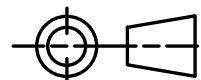
REVISION BY

Updated to IECEx Standards

REVISION DESCRIPTION

DIMENSIONS (Metric-millimetre-mm)
UNLESS OTHERWISE SPECIFIED

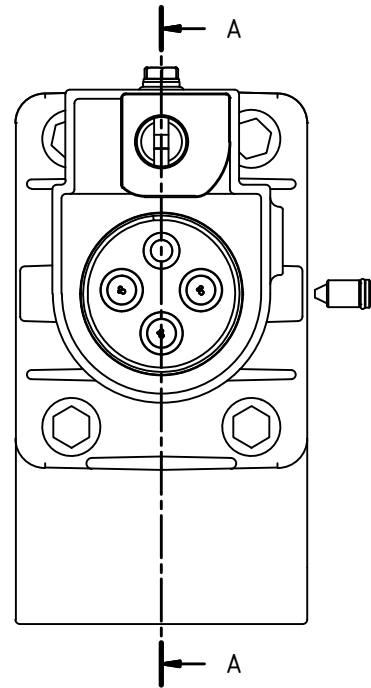
X.X 0.1
X.XX 0.05



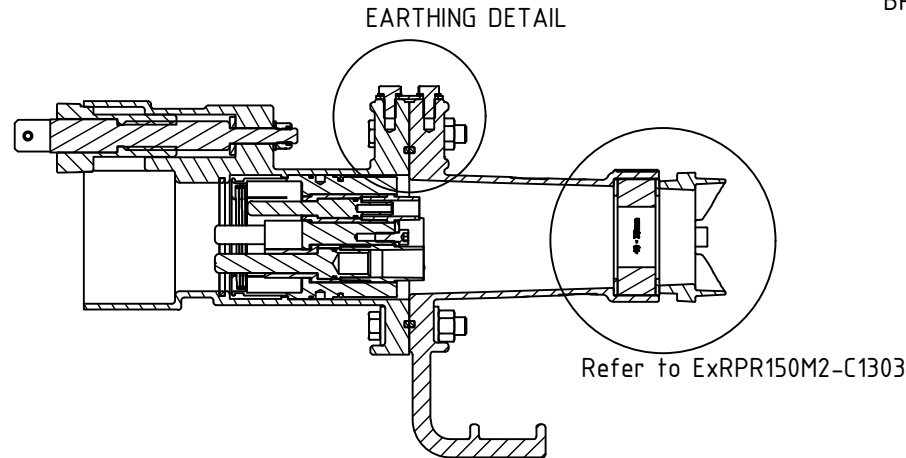
ALL SURFACES TO
UNLESS OTHERWISE NOTED

Ex

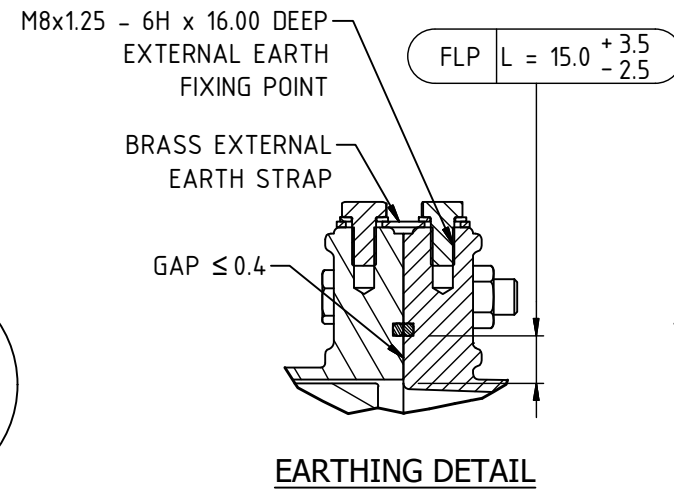
Ex



FRONT VIEW

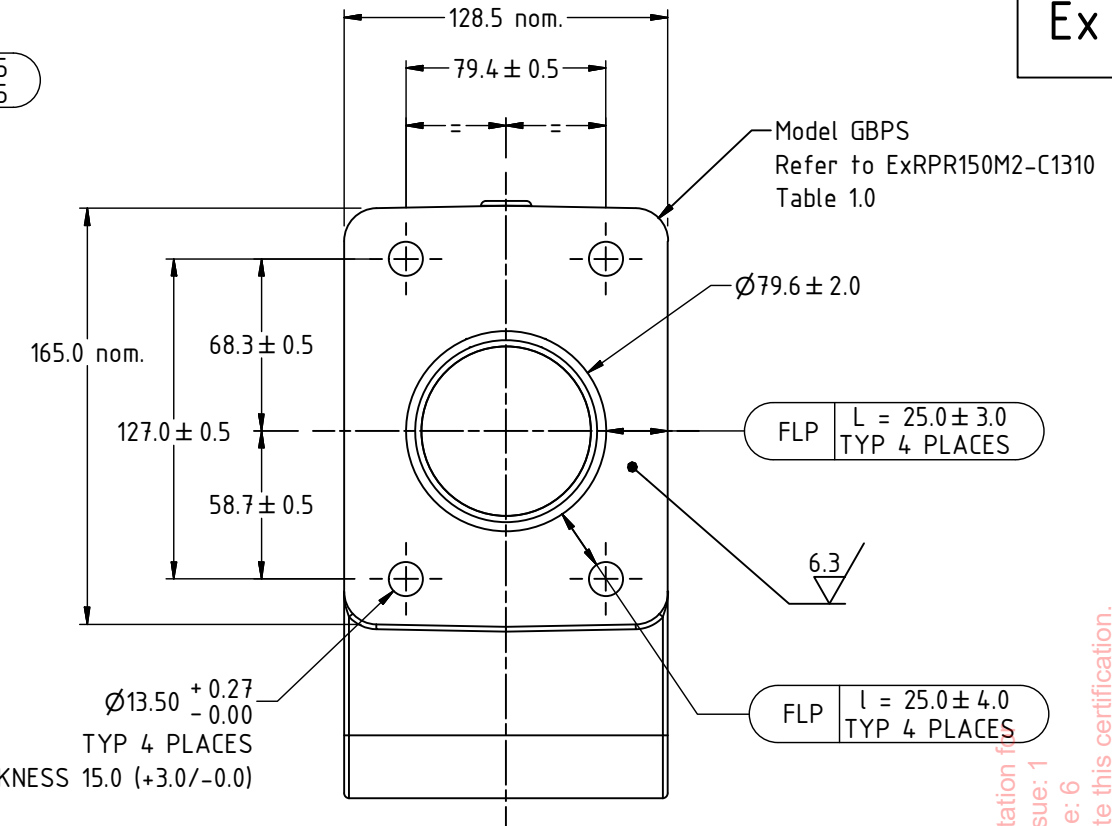


RECEPTACLE/GLAND ASSEMBLY
FLAMEPROOF PATH
SECTION A-A



EARTHING DETAIL

Refer to ExRPR150M2-C1303

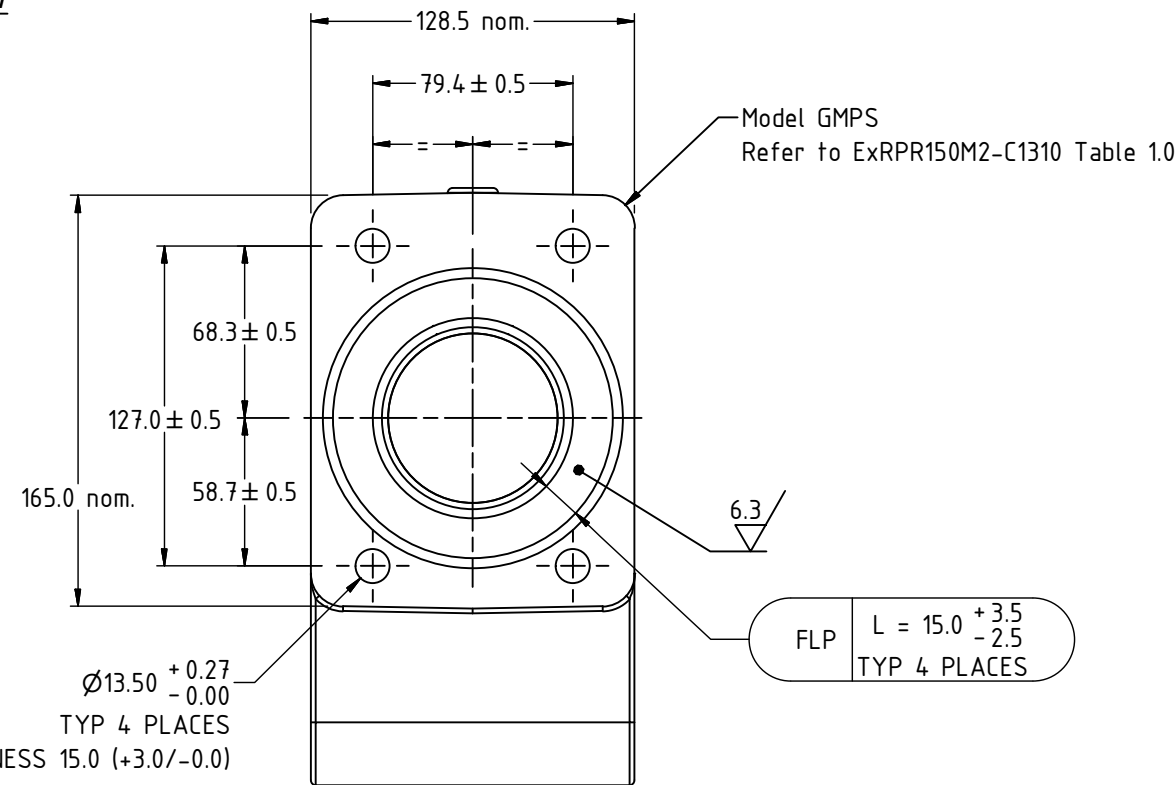


GLAND BRACKET
REAR FLANGE
NO O-RING
FLAME PROOF DETAILS

Model GBPS
Refer to ExRPR150M2-C1310
Table 1.0

FLP L = 25.0 ± 3.0
TYP 4 PLACES

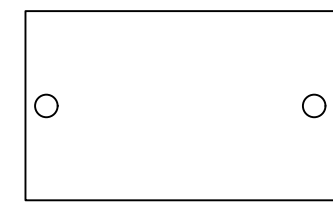
FLP L = 25.0 ± 4.0
TYP 4 PLACES



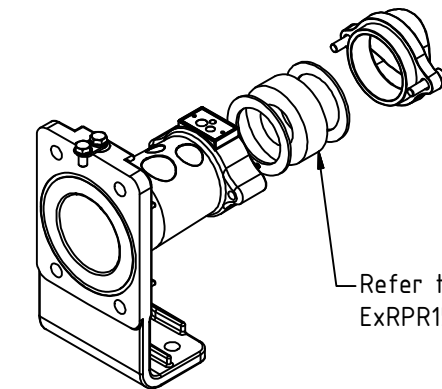
GLAND MOUNT
REAR FLANGE WITH O-RING
FOR OPTIONAL MOUNTING
FLAME PROOF DETAILS

Model GMPS
Refer to ExRPR150M2-C1310
Table 1.0

FLP L = 15.0 ^{+3.5}/_{-2.5}
TYP 4 PLACES



GLAND BRACKET / GLAND MOUNT
PRODUCT DATA LABEL
Refer to ExRPR150M2-C1310 Table 1.0



ASSEMBLY

Refer to drawings for Gland details:
ExRPR150M2-C1303

This drawing forms part of the documentation for
Certification: IECEx SIM 20.0009X Issue: 1
Certification: ANZEx 16.2005X Issue: 6
Alterations not authorised by Simtars may invalidate this certification.

AUSPROOF PTY LTD

© COPYRIGHT RESERVED

DRAWN BY

G.Coumessos

APPROVED BY

C.Taylor

SIZE

A3

DRAWING NUMBER

ExRPR150M2-C1105

PRODUCT NAME

Common 150 Gland Bracket
CUSTOMER COPY

4

REVISION NUMBER

08/01/2025

REVISION DATE

D.MINENKO

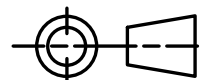
REVISION BY

Refer to drawings for Gland details: ExRPR150M2-C1303

REVISION DESCRIPTION

DIMENSIONS (Metric-millimetre-mm)
UNLESS OTHERWISE SPECIFIED

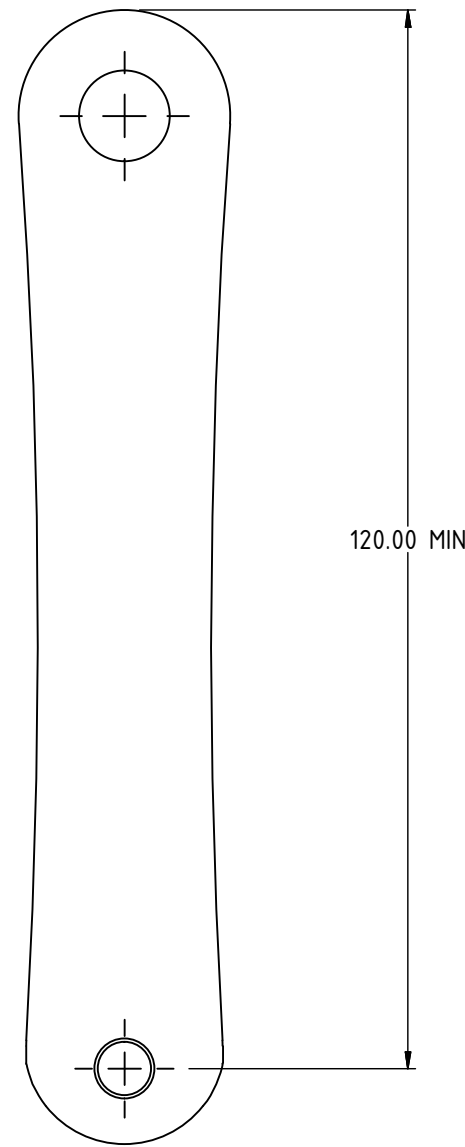
X.X 0.1
X.XX 0.05



ALL SURFACES TO
UNLESS OTHERWISE NOTED

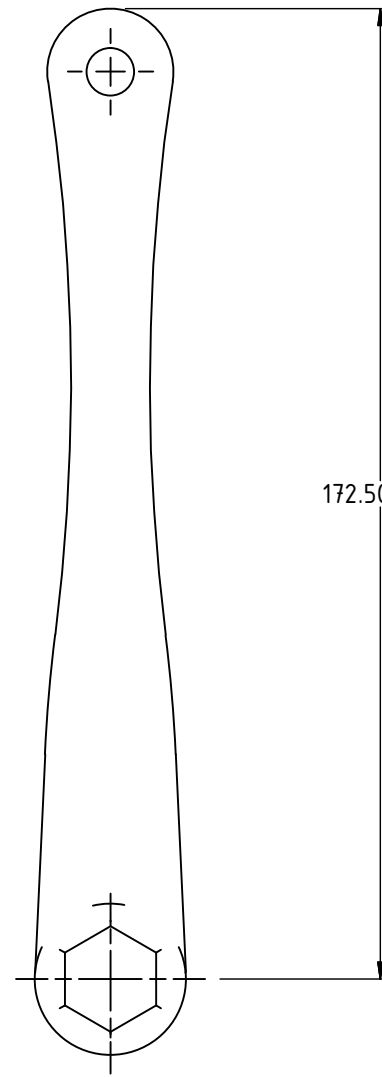
Ex

Ex



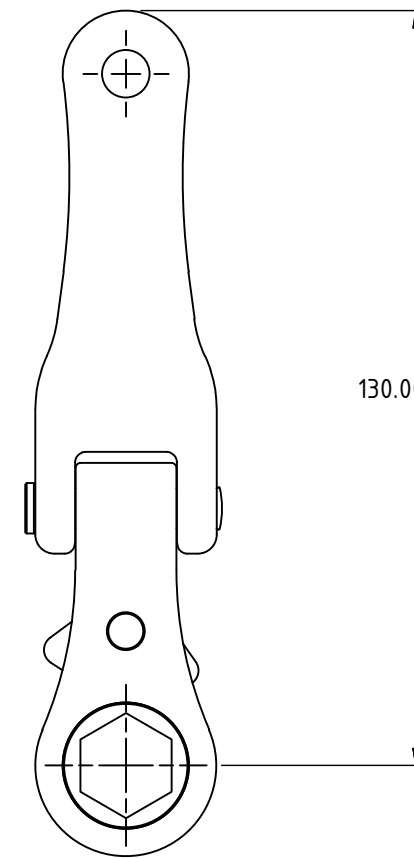
120.00 MIN

JACK IN HANDLE



172.50 MIN

QUICK RELEASE HANDLE



130.00 MIN

RATCHET RELEASE HANDLE

This drawing forms part of the documentation for
 Certification: IECEx SIM 20.0009X Issue: 1
 Certification: ANZEx 16.2005X Issue: 6
 Alterations not authorised by Simtars may invalidate this certification.

AUSPROOF PTY LTD

© COPYRIGHT RESERVED

DRAWN BY

A.Castle

APPROVED BY

C.Taylor

SIZE

A3

DRAWING NUMBER

ExRPR150M2-C1106

PRODUCT NAME

Com 150 Operating Mech
CUSTOMER COPY

0

REVISION NUMBER

05/10/2022

REVISION DATE

A.Castle

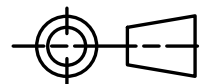
REVISION BY

Added Operating Mechanism

REVISION DESCRIPTION

DIMENSIONS (Metric-millimetre-mm)
UNLESS OTHERWISE SPECIFIED

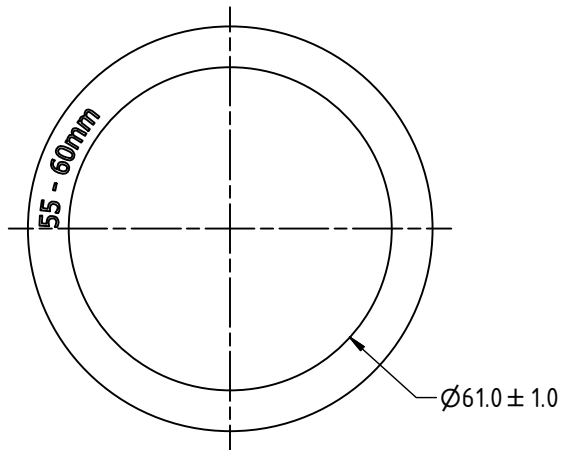
X.X 0.1
X.XX 0.05



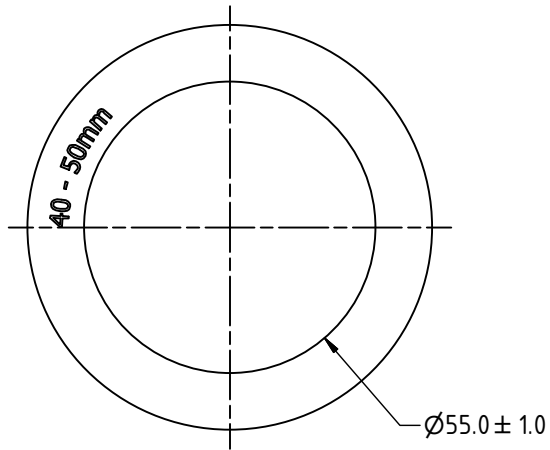
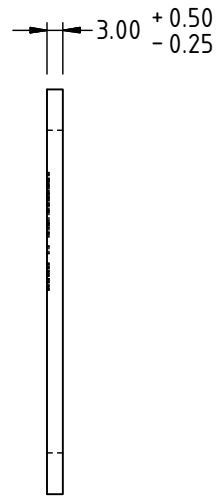
ALL SURFACES TO
UNLESS OTHERWISE NOTED

Ex

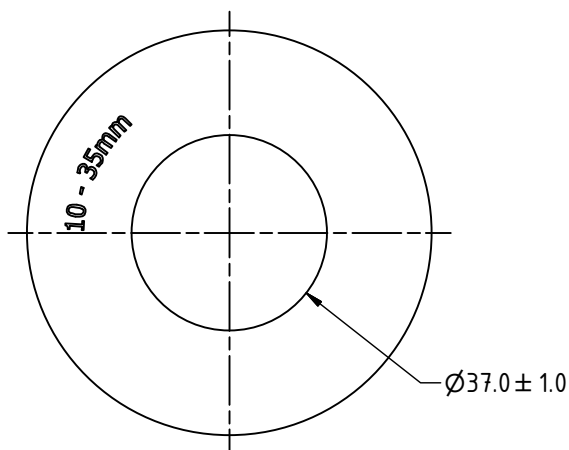
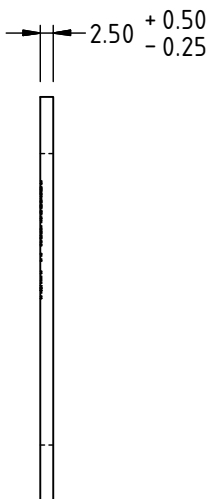
Ex



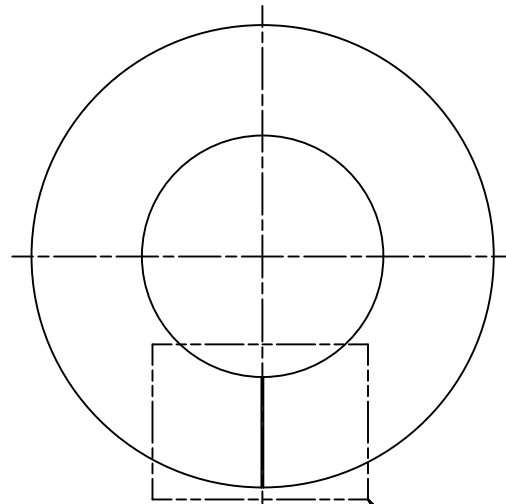
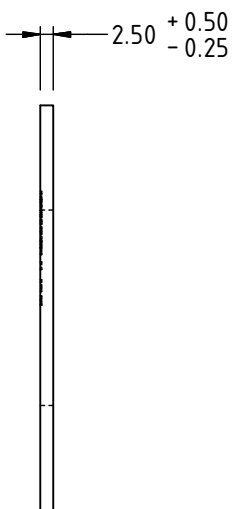
CABLE COMPRESSION WASHER



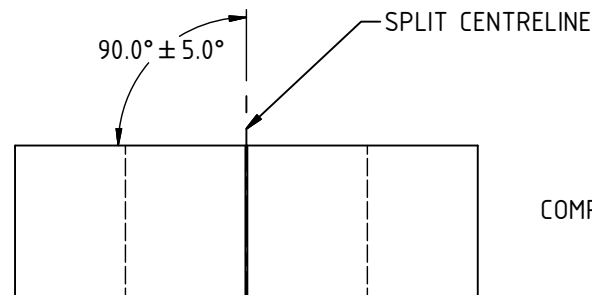
CABLE COMPRESSION WASHER



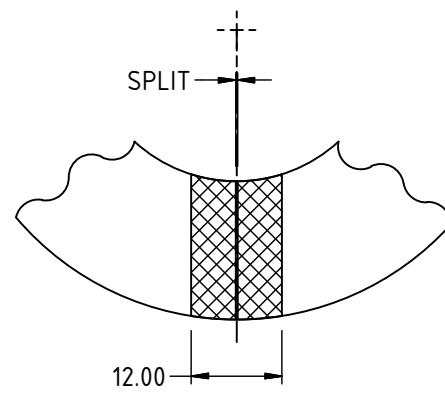
CABLE COMPRESSION WASHER



TOP VIEW COMPRESSION GLAND RUBBER

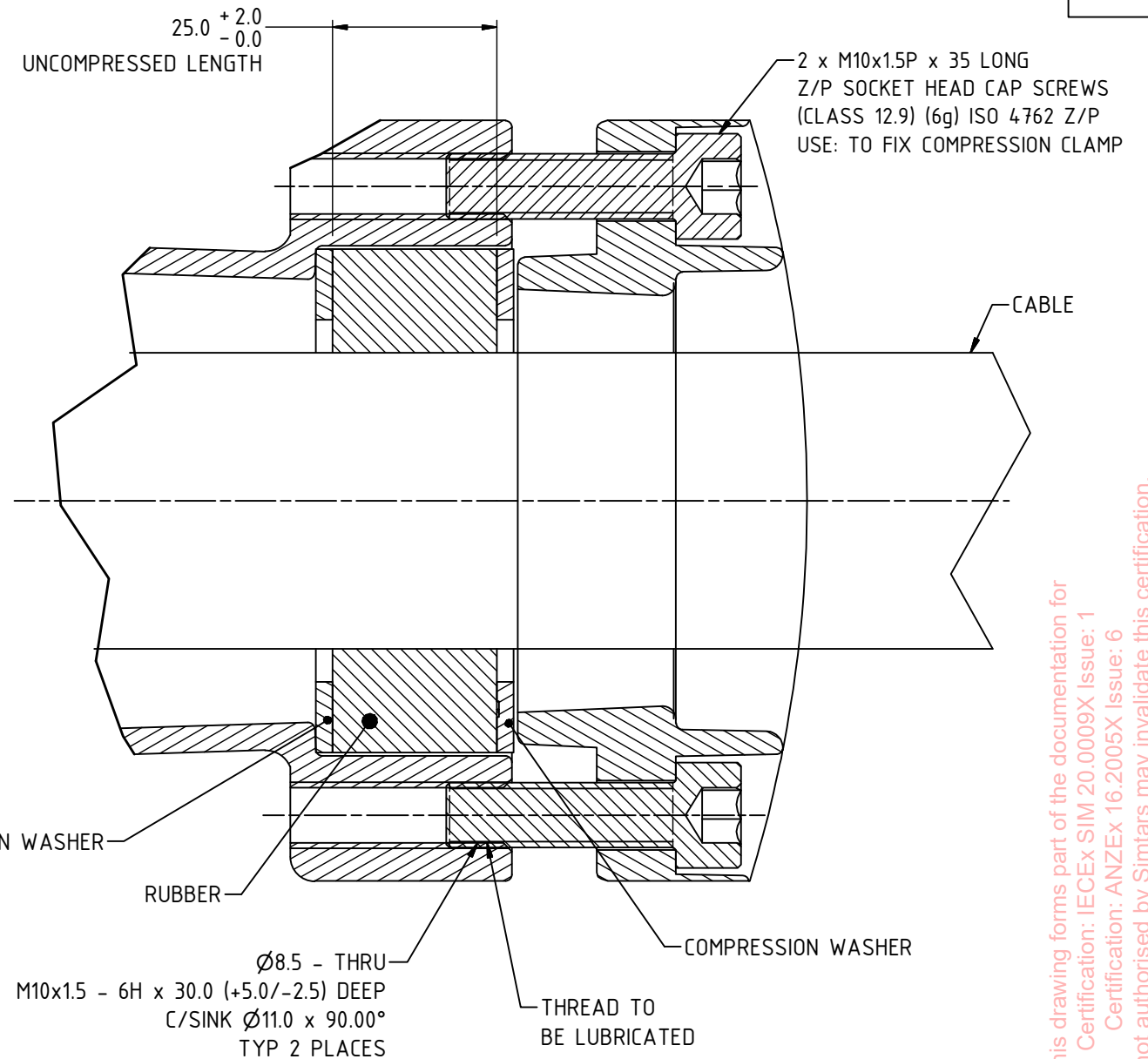


SIDE VIEW COMPRESSION GLAND RUBBER



DETAIL 1

SPLIT IN RUBBER MUST BE CONTAINED WITH IN THE HATCHED AREA
TYPICAL ALL COMPRESSION GLAND RUBBER SIZES



CABLE ENTRY DETAIL

Compression Gland Part Sizes		
Gland Rubber I.D. (± 1.0)	Washer I.D. (± 1.0)	To Suit Cable O.D.
15	37	10 - 15
20	37	15 - 20
25	37	20 - 25
30	37	25 - 30
35	37	30 - 35
40	55	35 - 40
45	55	40 - 45
50	61	45 - 50
55	61	50 - 55
60	61	55 - 60

Note:
Rubber compression gland to be torqued to 25Nm

THREAD CLASS TO ISO 965
COARSE THREAD PITCH TO ISO 262

This drawing forms part of the documentation for
Certification: IECEx SIM 20.0009X Issue: 1
Certification: ANZEx 16.2005X Issue: 6
Alterations not authorised by Simtars may invalidate this certification.

AUSPROOF PTY LTD
© COPYRIGHT RESERVED

DIMENSIONS (Metric-millimetre-mm)
UNLESS OTHERWISE SPECIFIED

ALL SURFACES TO UNLESS OTHERWISE NOTED

X.X 0.1
X.XX 0.05

DRAWN BY
G.Coumassos

APPROVED BY
C.Taylor

SIZE
A3

DRAWING NUMBER
ExRPR150M2-C1303

PRODUCT NAME
Common 150 Plug Cable Clamp Assembly
CUSTOMER COPY

3	12/12/2024	D.MINENKO
REVISION NUMBER	REVISION DATE	REVISION BY

ADDED BOLT HEAD PROTECTION & WASHER THICKNESS

REVISION DESCRIPTION

Ex

Ex

FASTENER SCHEDULE

3 x M6x1.0 x 8 LONG Z/P BUTTON HEAD SOCKET CAP SCREWS (Class 12.9) (6g) ISO 7380
AND 3 x M6 S/S BELLEVILLE LOCK WASHERS
USE: EARTH FIXING SCREWS FOR PLUG CAGE BACK

1 x M6x1.0 x 100 LONG Z/P SOCKET HEAD CAP SCREW (Class 12.9) (6g) ISO 4762
USE: TO FIX PLUG FRONT CAGE AND BACK CAGE TOGETHER

1 x M3x0.5 x 4 LONG S/S SOCKET HEAD CAP SCREW (700 MPa) (6g) ISO 4762
USE: FOR LOCATION LUG INSIDE PLUG

2 x M10x1.5 x 35 LONG Z/P SOCKET HEAD CAP SCREWS (Class 12.9) (6g) ISO 4762
USE: TO FIX COMPRESSION CLAMP

1 x M10x1.5 Z/P NYLOC NUT (Class 8) (6H) ISO 7040
AND 1 x M10 Z/P WASHER (Class 8) (200 HV) ISO 7089
USE: TO FIX PAWL SCREW INTO SOCKET BODY

1 x M6x1.0 x 16 LONG Z/P SOCKET HEAD CAP SCREW (Class 12.9) (6g) ISO 4762
USE: TO FIX SOCKET STAR RETAINING PLATE

3 x M6x1.0 x 8 LONG Z/P BUTTON HEAD SOCKET CAP SCREWS (Class 12.9) (6g) ISO 7380
AND 3 x M6 S/S BELLEVILLE LOCK WASHERS
USE: EARTH FIXING SCREWS FOR SOCKET CAGE

4 x 4GAUGE x 1/4" Z/P HAMMER DRIVE
USE: FIXING LABEL TO RECEPTACLE AND PLUG

1 x M8x1.25 x 16 LONG Z/P SET SCREW (Class 8.8) (6g) ISO 4017
AND 1 x M8 S/S BELLEVILLE LOCK WASHER
USE: EARTH FIXING SCREW ON MAIN FLANGE

4 x M12x1.75 x 55 (MIN LENGTH) Z/P SET SCREWS (Class 4.6) (6g) ISO 4017
WITH 4 x M12 x 1.75 Z/P NUTS (Class 8) (6H) ISO 4032
AND 8 x M12 Z/P WASHERS (Class 8) (200 HV) ISO 7089
OPTIONAL M12 x 1.75 HARDWARE MAY BE USED MUST HAVE A MINIMUM YIELD STRESS OF 240MPa
USE: TO FIX GLAND BRACKET TO RECEPTACLE

FIXING RECEPTACLE TO Ex d ENCLOSURE: PROPERTY CLASS \geq 4.6*

*NOTE: SPECIFIED FASTENER PROPERTY CLASS TO BE \geq THE FASTENER PROPERTY CLASS SPECIFIED FOR THE Ex ENCLOSURE.

THREAD CLASS TO ISO 965
COARSE THREAD PITCH TO ISO 262

This drawing forms part of the documentation for
Certification: IECEx SIM 20.0009X Issue: 0
Alterations not authorised by Simtars may invalidate this certification.

AUSPROOF PTY LTD

© COPYRIGHT RESERVED

DRAWN BY

G.Coumessos

APPROVED BY

C.Taylor

SIZE

A3

DRAWING NUMBER

ExRPR150M2-C1307

PRODUCT NAME

Fastener Schedule
CUSTOMER COPY

1

REVISION NUMBER

07/10/2020

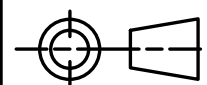
REVISION DATE

D.Jensen

REVISION BY

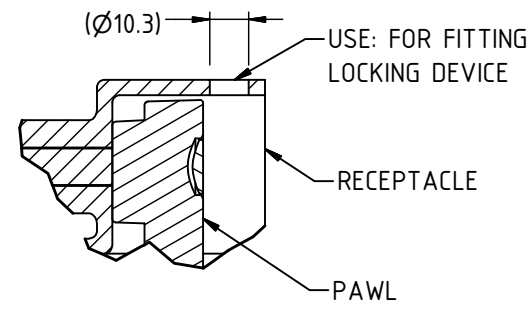
Updaed to IECEx Standards

REVISION DESCRIPTION

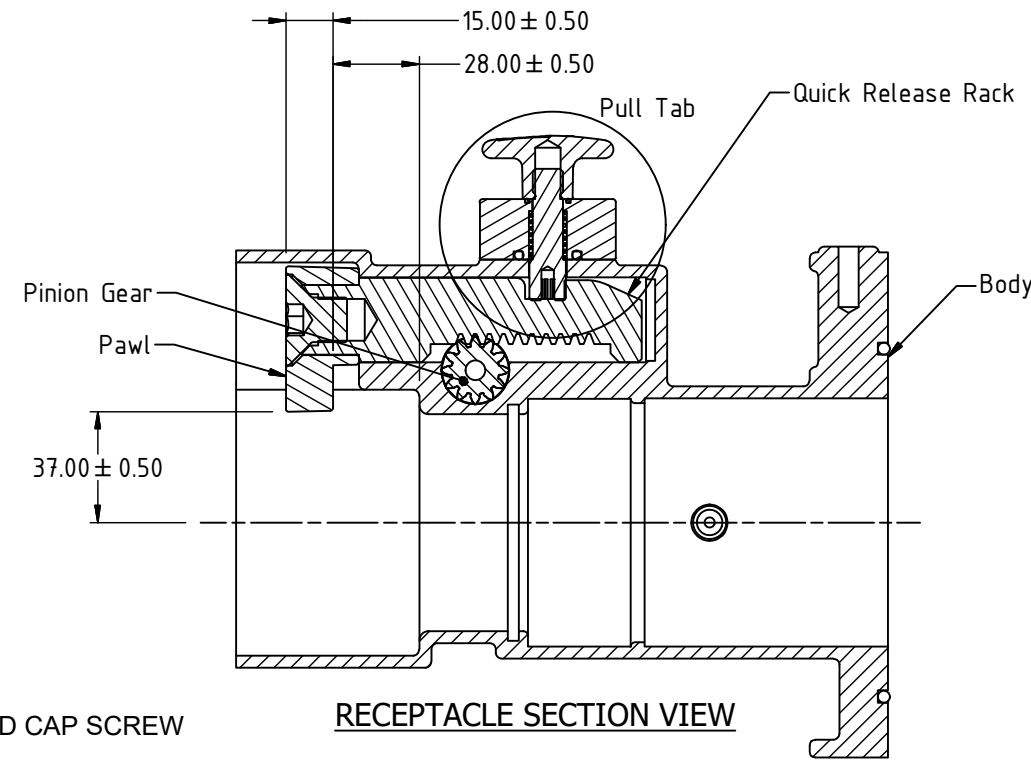
DIMENSIONS (Metric-millimetre-mm)
UNLESS OTHERWISE SPECIFIEDX.X 0.1
X.XX 0.05ALL SURFACES TO
UNLESS OTHERWISE NOTED

Ex

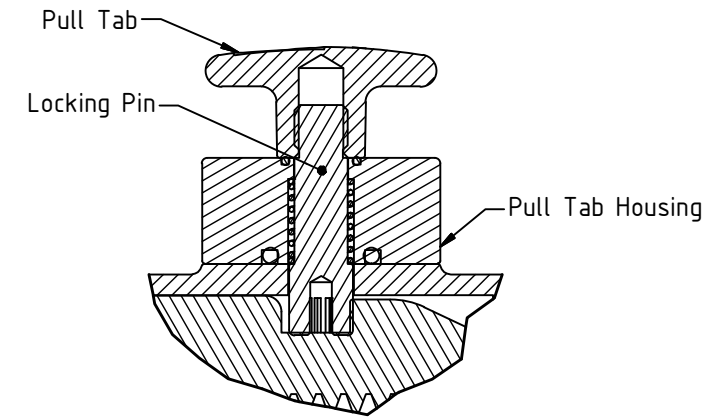
Ex



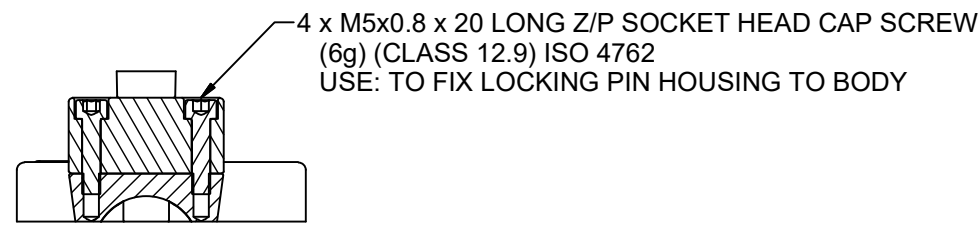
DETAIL FOR LOCKING DEVICE LOCATION



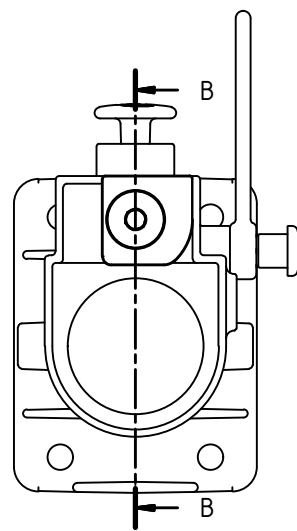
RECEPTACLE SECTION VIEW



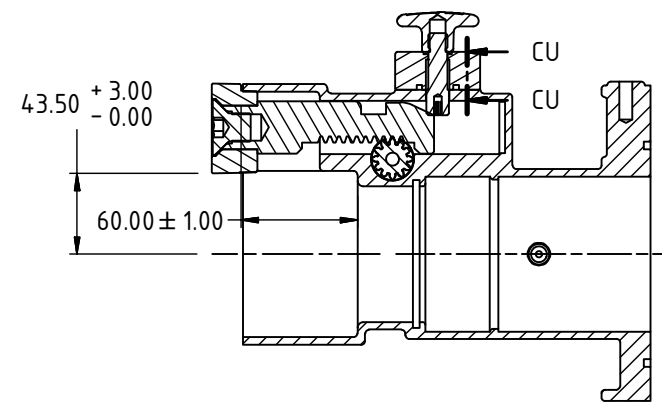
PULL TAB DETAIL



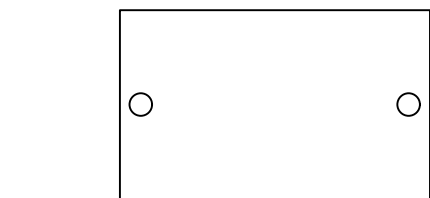
SECTION CU-CU



PAWL WITHDRAWN



SECTION B-B



RECEPTACLE PRODUCT DATA LABEL
Refer to ExRPR150M2-1310 Table 2.0

MODEL IDENTIFICATION CROSS REFERENCE TABLE
QUICK RELEASE TYPE RECEPTACLE
QRR614
QRR114

This drawing forms part of the documentation for Certification: IECEx SIM 20.0009X Issue: 0 Alterations not authorised by Simtars may invalidate this certification.

AUSPROOF PTY LTD

© COPYRIGHT RESERVED

DRAWN BY

G.Coumessos

APPROVED BY

C.Taylor

SIZE

A3

DRAWING NUMBER

ExRPR150QR-C1308

PRODUCT NAME

150 QR Receptacle Body
CUSTOMER COPY

0

REVISION NUMBER

14/02/2019

REVISION DATE

D.Jensen

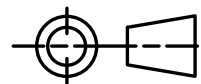
REVISION BY

Updated to IECEx Standards

REVISION DESCRIPTION

DIMENSIONS (Metric-millimetre-mm)
UNLESS OTHERWISE SPECIFIED

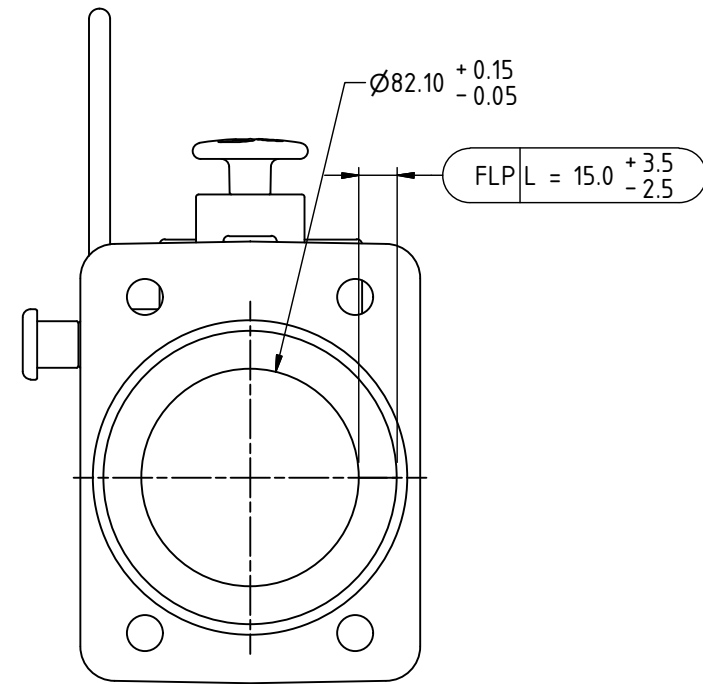
X.X 0.1
X.XX 0.05



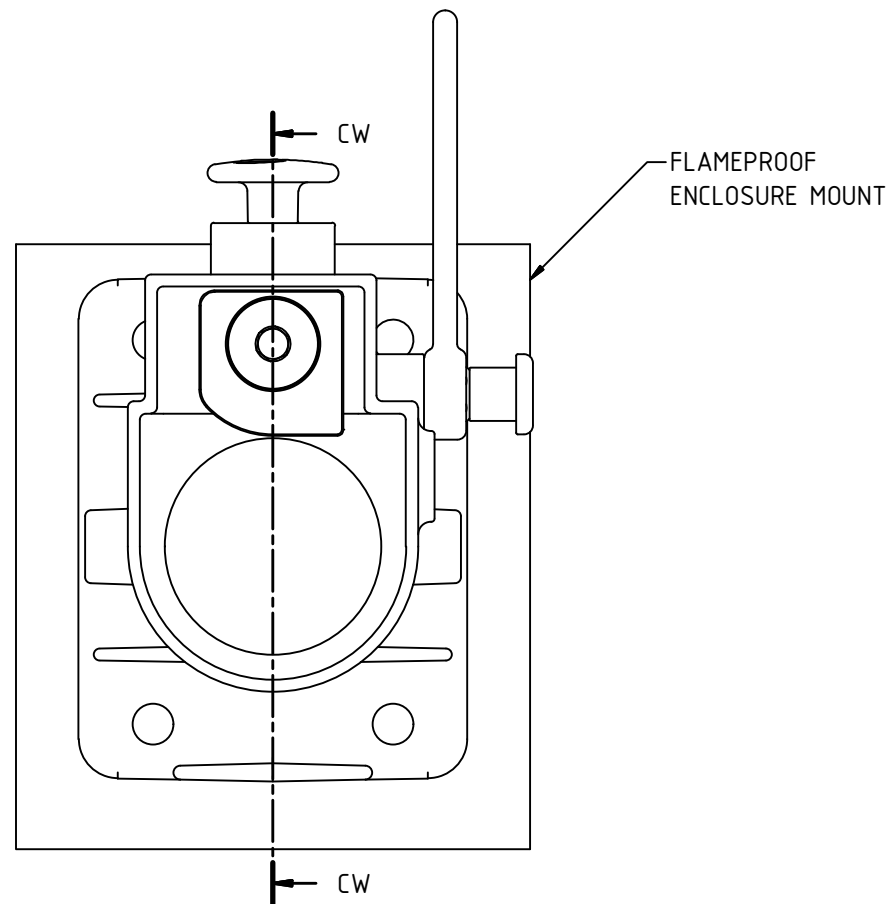
ALL SURFACES TO
UNLESS OTHERWISE NOTED

Ex

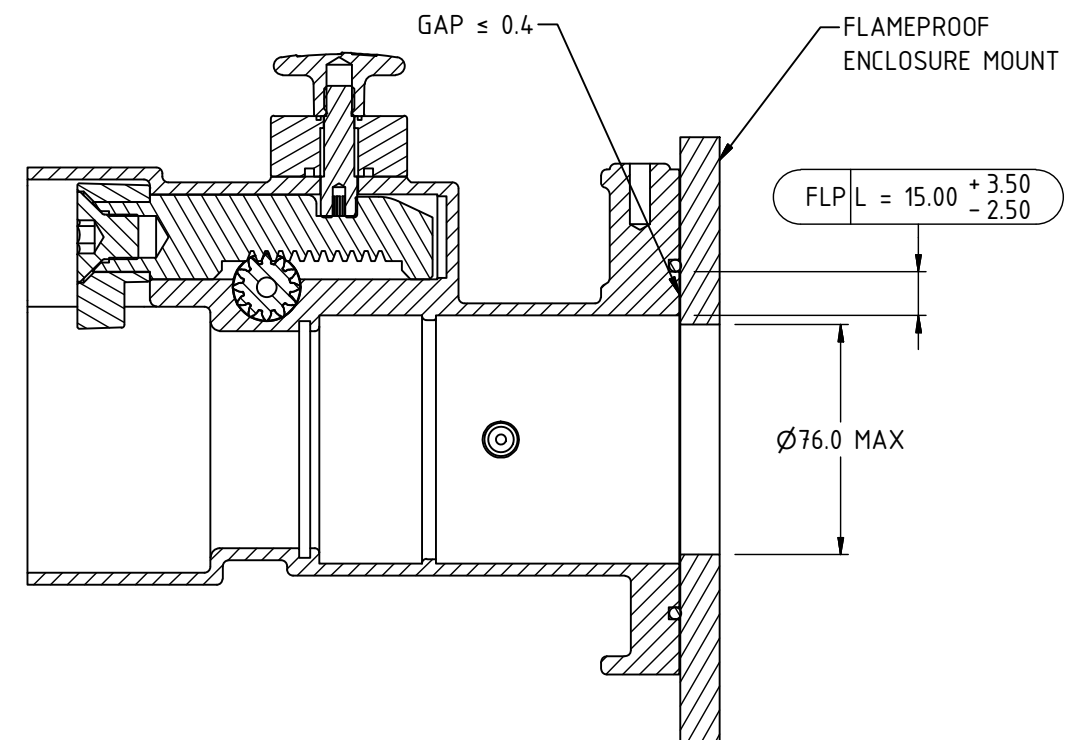
Ex



REAR FLANGE FLAMEPATH



RECEPTACLE FRONT VIEW
MOUNTED TO ENCLOSURE



SECTION CW-CW

This drawing forms part of the documentation for
Certification: IECEx SIM 20.0009X Issue: 0
Alterations not authorised by Simtars may invalidate this certification.

AUSPROOF PTY LTD

© COPYRIGHT RESERVED

DRAWN BY

G.Coumassos

APPROVED BY

C.Taylor

SIZE

A3

DRAWING NUMBER

ExRPR150QR-C1309

PRODUCT NAME

150 Receptacle Rear FLP
CUSTOMER COPY

0

REVISION NUMBER

14/02/2019

REVISION DATE

D.Jensen

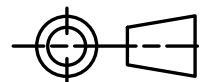
REVISION BY

Updated to IECEx Standards

REVISION DESCRIPTION

DIMENSIONS (Metric-millimetre-mm)
UNLESS OTHERWISE SPECIFIED

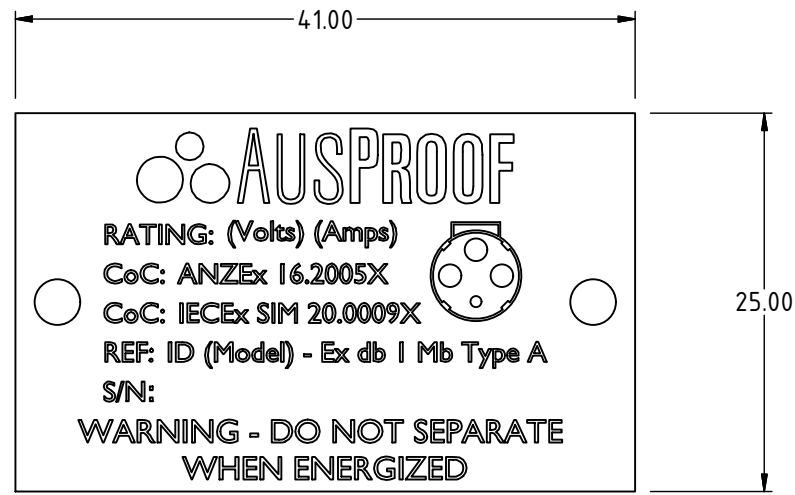
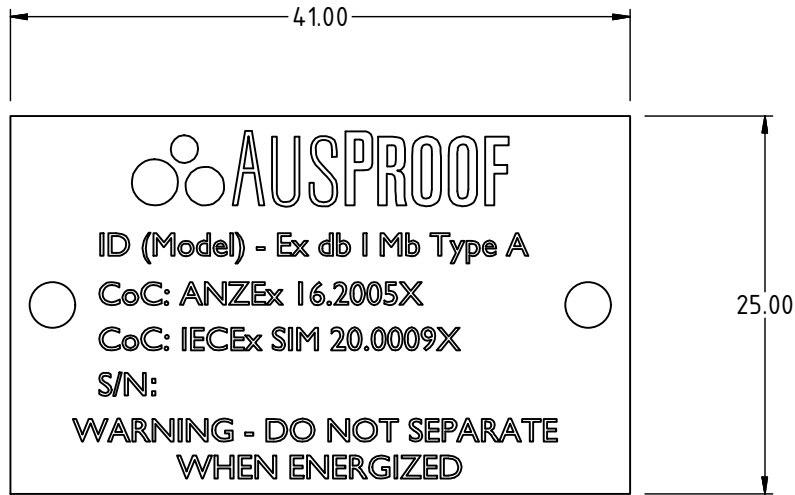
X.X 0.1
X.XX 0.05



ALL SURFACES TO
UNLESS OTHERWISE NOTED

Ex

Ex



GLAND BRACKET / GLAND MOUNT
PRODUCT DATA LABEL
AS PER TABLE 1.0

PLUG AND RECEPTACLE
PRODUCT DATA LABEL
AS PER TABLE 2.0

Table 1.0	
Model	Volts Range
GBPS	660 - 1100
GMPS	660 - 1100

Table 2.0		
Model	Volts	Amps
P614	660	150
R614	660	150
QRR614	660	150
P114	1100	150
R114	1100	150
QRR114	1100	150

This drawing forms part of the documentation for
 Certification: IECEx SIM 20.0009X Issue: 0
 Alterations not authorised by Simtars may invalidate this certification.

AUSPROOF PTY LTD

© COPYRIGHT RESERVED

DRAWN BY

C.Taylor

APPROVED BY

L.Richards

SIZE

A3

DRAWING NUMBER

ExRPR150M2-C1310

PRODUCT NAME

Product marking labels
CUSTOMER COPY

1

REVISION NUMBER

07/10/2020

REVISION DATE

D.Jensen

REVISION BY

Updaed to IECEx Standards

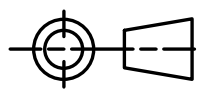
REVISION DESCRIPTION

DIMENSIONS (Metric-millimetre-mm)

UNLESS OTHERWISE SPECIFIED

ALL SURFACES TO
UNLESS OTHERWISE NOTED

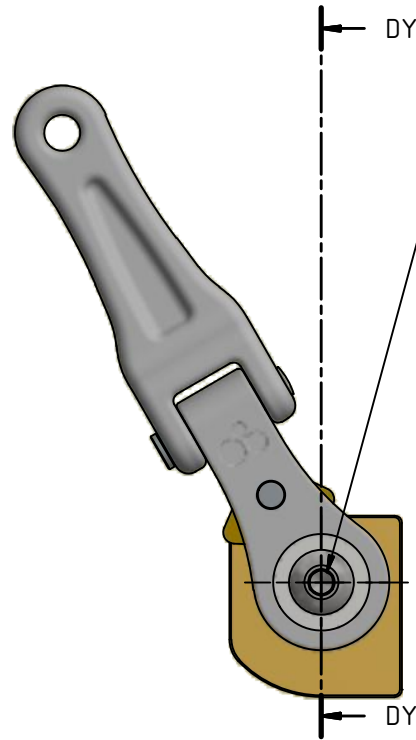
X.X 0.1
X.XX 0.05



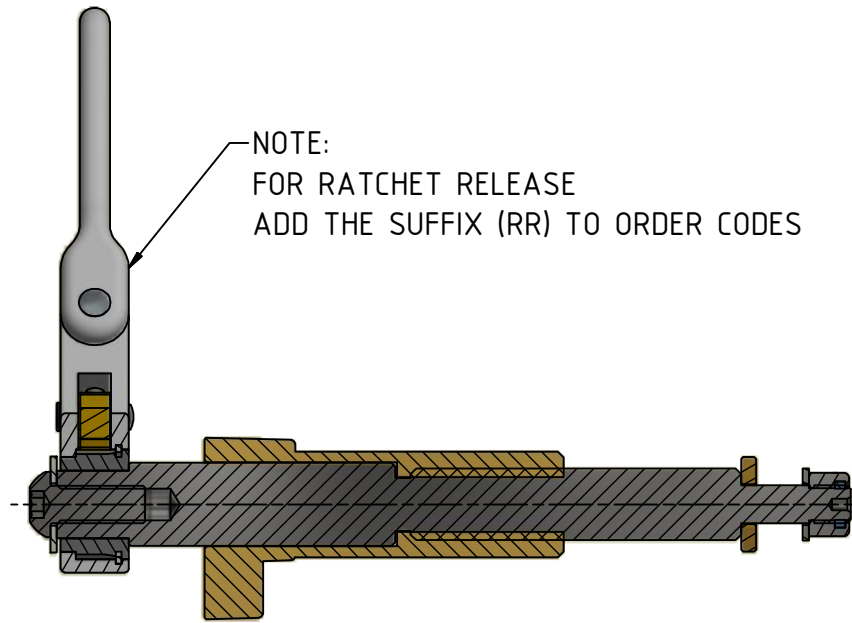
Ex

Ex

1 x M10x1.5 x 25 Z/P BHCS PN1824 (MIN Class 8.8) (6g) ISO 7380 OR A2/A4-70 STAINLESS STEEL PN10147
 AND 1 x 3/8 x 1" Z/P WASHER (Min Class 5) (140 HV) ISO 7089 PN1941 OR A2/A4-70 STAINLESS STEEL PN10152
 USE: TO FIX RATCHET RELEASE



FRONT VIEW

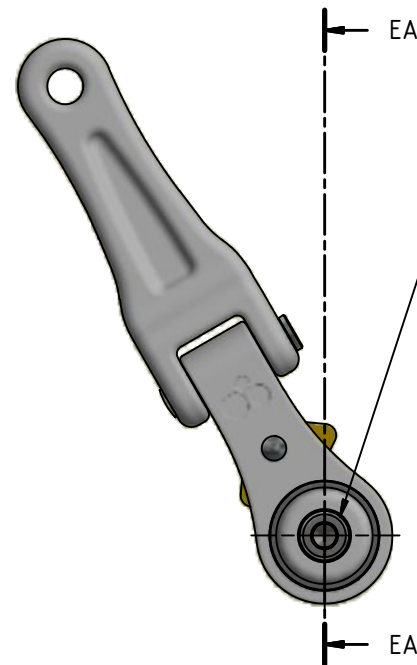


SECTION DY-DY

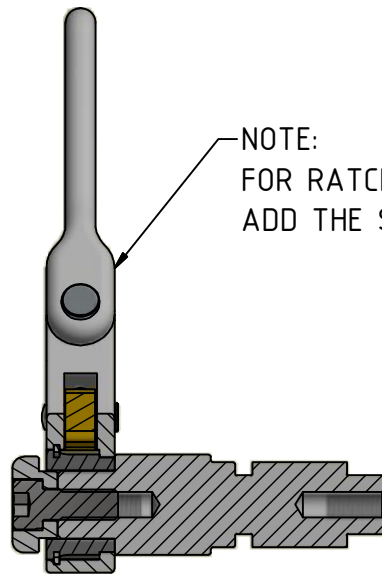
NOTE:
 FOR RATCHET RELEASE
 ADD THE SUFFIX (RR) TO ORDER CODES

MODEL IDENTIFICATION CROSS REFERENCE TABLE
RECEPTACLE TYPE
R614RR
R114RR

1 x M8x1.25 x 20 Z/P SHCS PN10119 (MIN Class 8.8) (6g) ISO 4762 OR A2/A4-70 STAINLESS STEEL PN1077
 USE: TO FIX RATCHET RELEASE



FRONT VIEW



SECTION EA-EA

NOTE:
 FOR RATCHET RELEASE
 ADD THE SUFFIX (RR) TO ORDER CODES

MODEL IDENTIFICATION CROSS REFERENCE TABLE
QUICK RELEASE RECEPTACLE TYPE
QRR614RR
QRR114RR

This drawing forms part of the documentation for
 Certification: IECEx SIM 20.0009X Issue: 1
 Certification: ANZEx 16.2005X Issue: 6
 Alterations not authorised by Simtars may invalidate this certification.

AUSPROOF PTY LTD

© COPYRIGHT RESERVED

DRAWN BY

C.Taylor

APPROVED BY

D.Jensen

SIZE

A3

DRAWING NUMBER

ExRPR150M2-C1311

PRODUCT NAME

Common 150 Receptacle RR
 CUSTOMER COPY

0

REVISION NUMBER

12/12/2024

REVISION DATE

C.Taylor

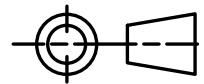
REVISION BY

FIXED FASTENER ISO

REVISION DESCRIPTION

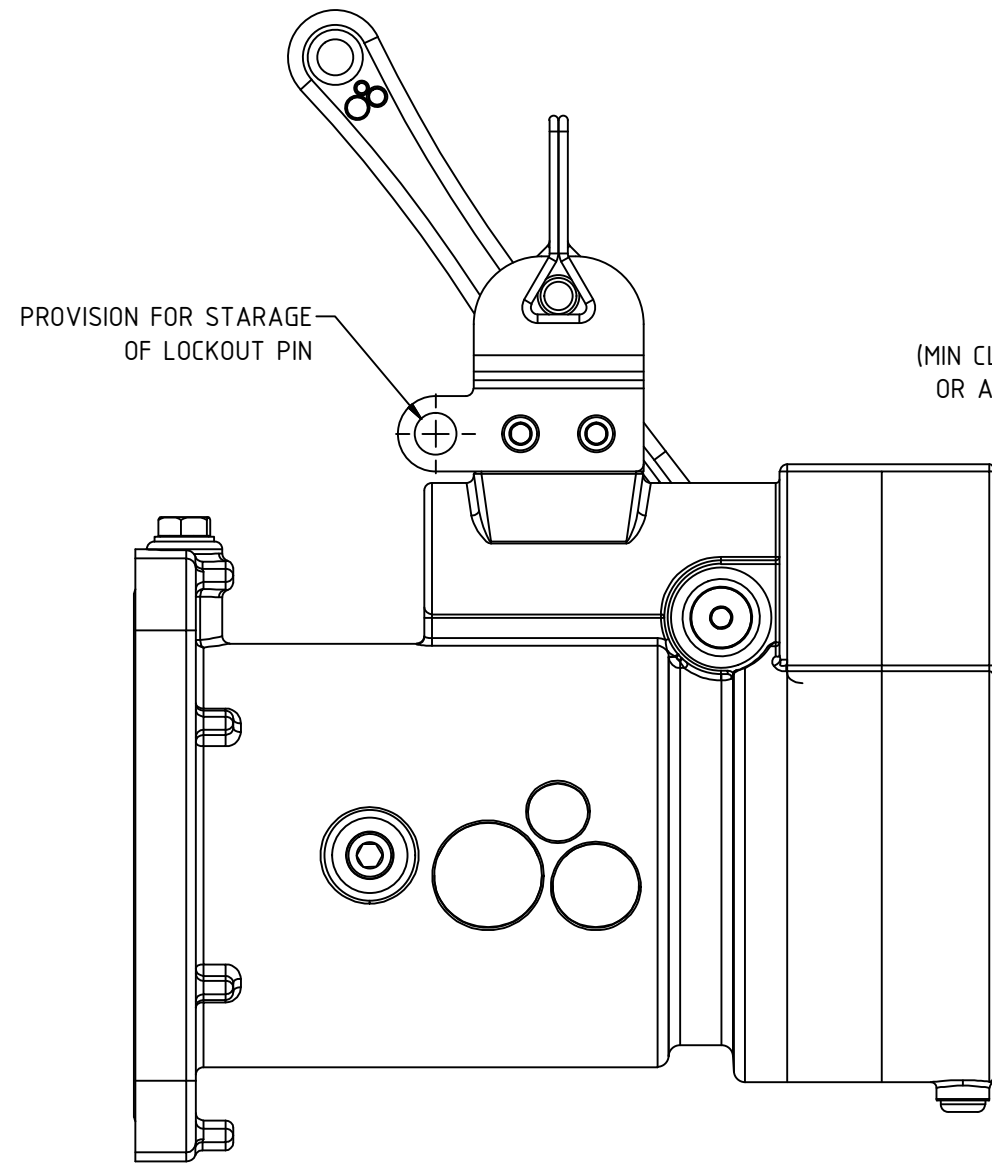
DIMENSIONS (Metric-millimetre-mm)
 UNLESS OTHERWISE SPECIFIED
 ALL SURFACES TO
 UNLESS OTHERWISE NOTED

X.X 0.1
 X.XX 0.05

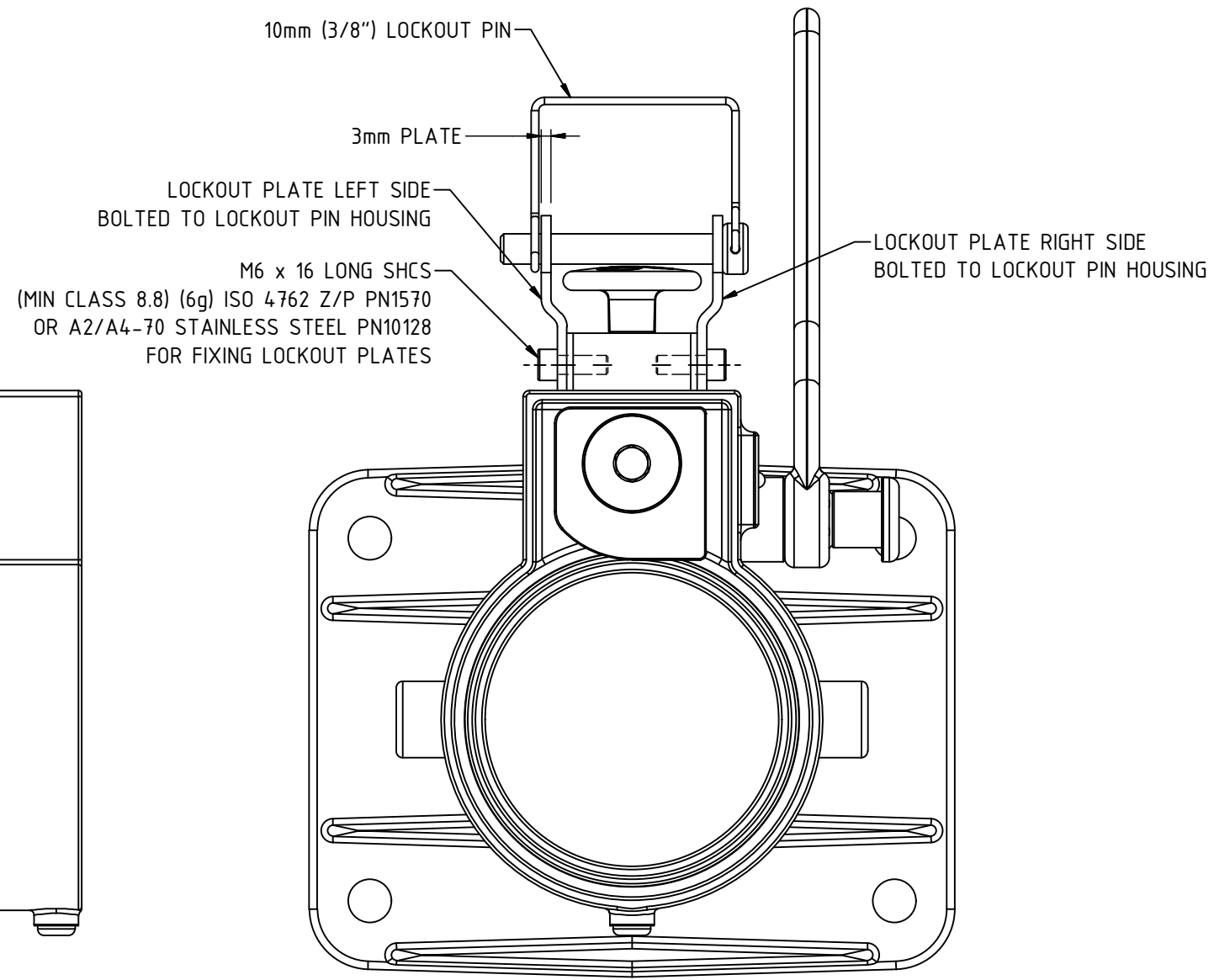


Ex

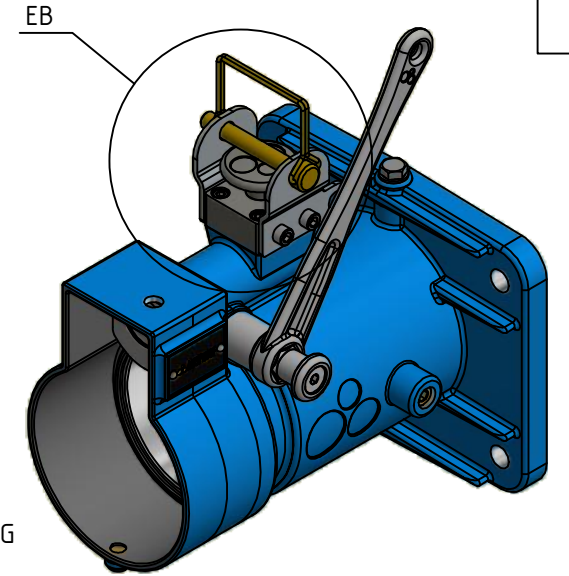
Ex



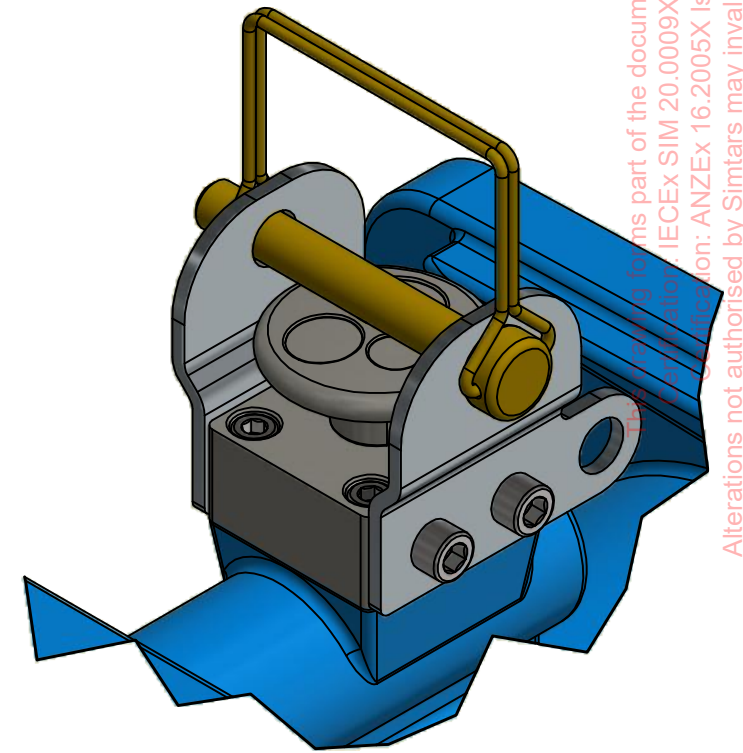
SIDE VIEW



FRONT VIEW



ISOMETRIC VIEW



DETAIL EB
RACKING HANDLE NOT SHOWN FOR CLARITY

This drawing forms part of the documentation for IECEx SIM 20.0009X Issue: 1
Revision: ANZEx 16.2005X Issue: 6
Alterations not authorised by Simtars may invalidate this certification.

AUSPROOF PTY LTD

© COPYRIGHT RESERVED

DRAWN BY

D.Jensen

APPROVED BY

C.Taylor

SIZE

A3

DRAWING NUMBER

ExRPR150M2-C1312

PRODUCT NAME

150 Receptacle Pin Lockout
CUSTOMER COPY

0

REVISION NUMBER

07/03/2022

REVISION DATE

D.Jensen

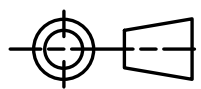
REVISION BY

INITIAL RELEASE

REVISION DESCRIPTION

DIMENSIONS (Metric-millimetre-mm)
UNLESS OTHERWISE SPECIFIED

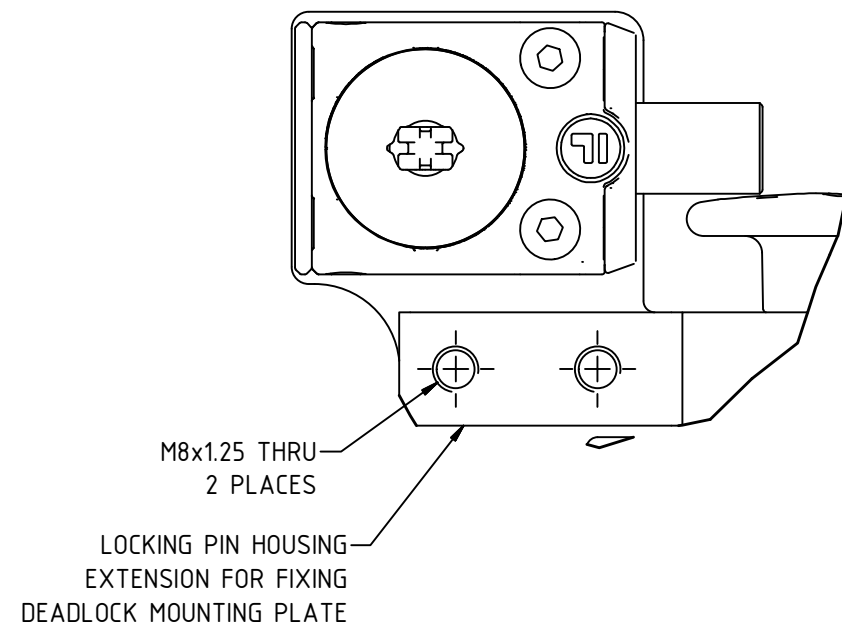
X.X 0.1
X.XX 0.05



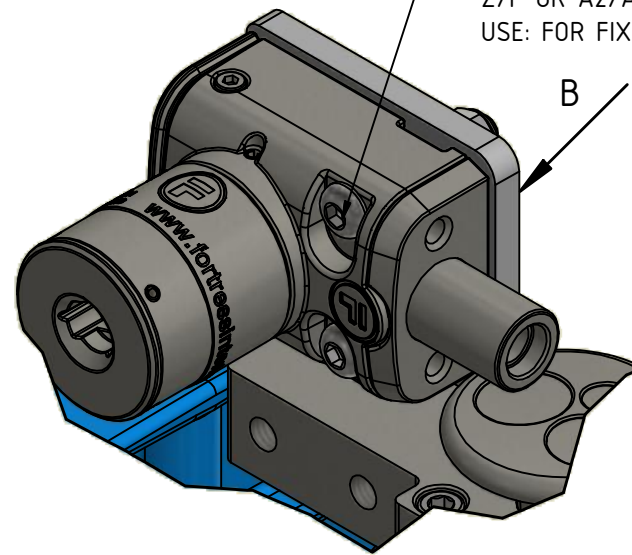
ALL SURFACES TO
UNLESS OTHERWISE NOTED

Ex

Ex

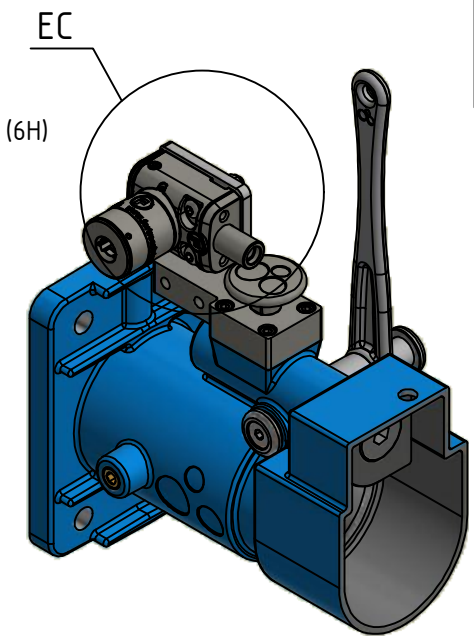


DETAIL ED

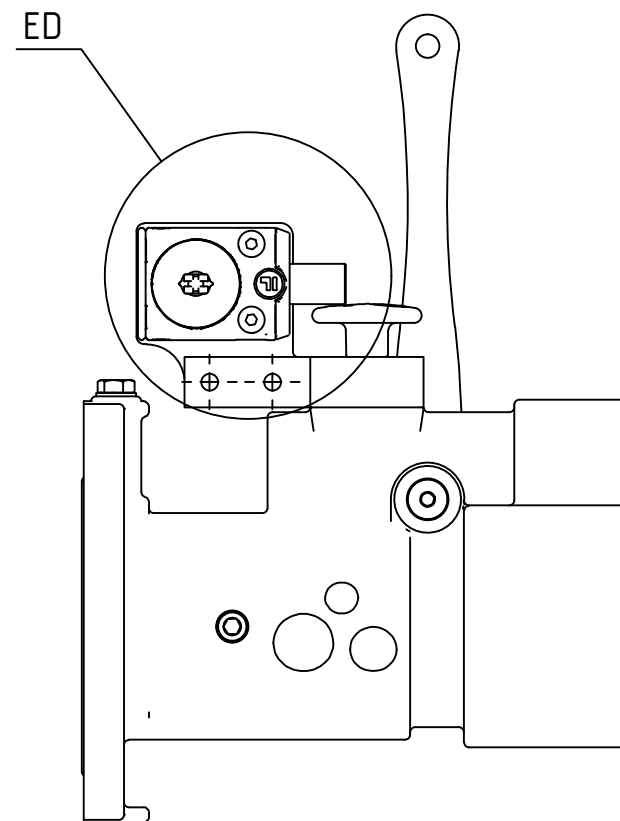


DETAIL EC

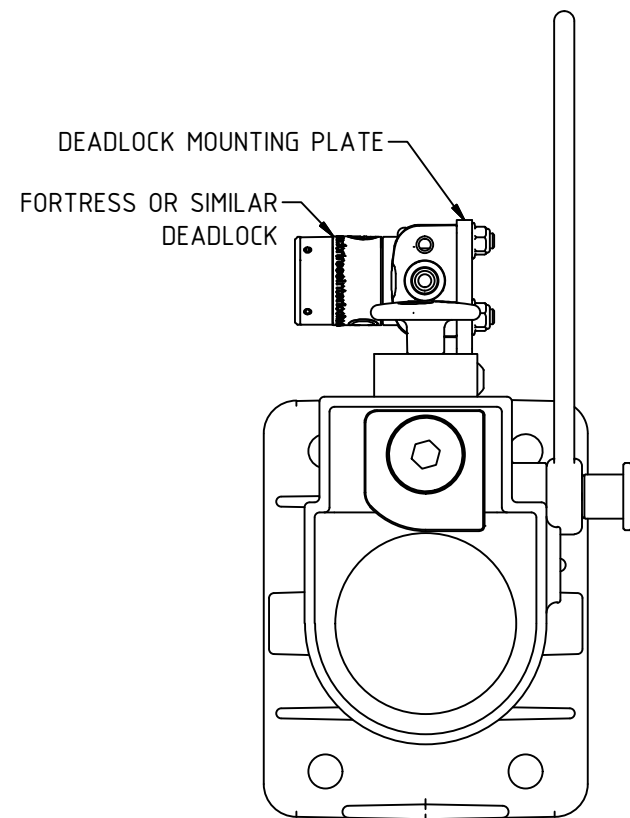
M6 x 30 LONG BUTTON SOCKET SCREW
(MIN CLASS 8.8) (6g) ISO 7380 Z/P PN10130 OR
A2/A4-70 STAINLESS STEEL PN10131
M6 NUT STD PN1795 ISO 4032 or NYLOC PN1979 ISO 7040 (MIN CLASS 5) (6H)
Z/P OR A2/A4-70 STAINLESS STEEL STD PN10154 OR NYLOC PN10153
USE: FOR FIXING OF FORTRESS OR SIMILAR DEADLOCK



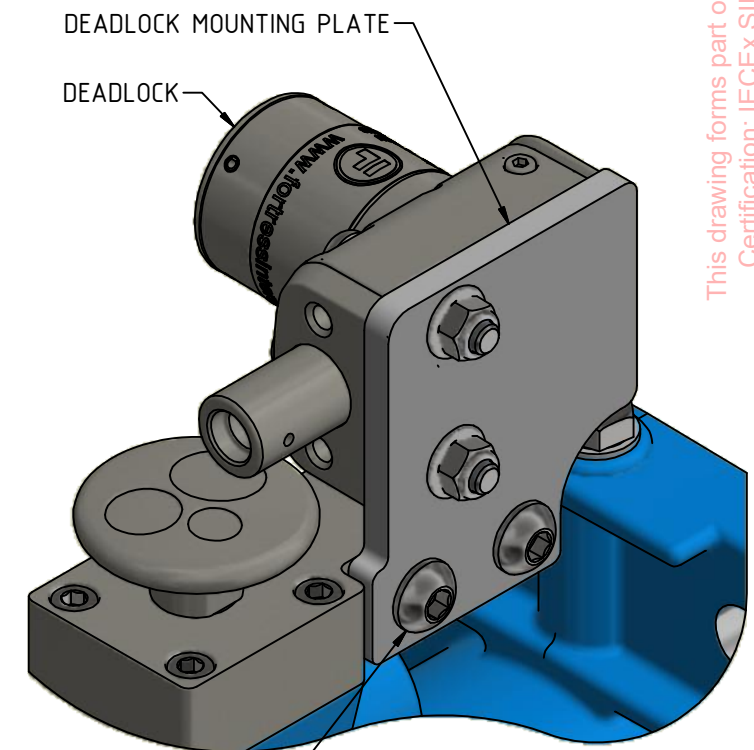
ISOMETRIC VIEW



SIDE VIEW



FRONT VIEW



VIEW FROM B

M8 x 20 LONG BUTTON SOCKET SCREW
(MIN CLASS 8.8) (6g) ISO 7380 Z/P PN1402
OR A2/A4-70 STAINLESS STEEL PN10118
USE: FOR FIXING OF LOCK MOUNTING PLATE

This drawing forms part of the documentation for
 Certification: IECEx SIM 20.0009X Issue: 1
 Certification: ANZEx 16.2005X Issue: 6
 Alterations not authorised by Simtars may invalidate this certification.

AUSPROOF PTY LTD

© COPYRIGHT RESERVED

DRAWN BY

D.Jensen

APPROVED BY

C.Taylor

SIZE

A3

DRAWING NUMBER

ExRPR150M2-C1313

PRODUCT NAME

150 Receptacle Deadlock
CUSTOMER COPY

0

REVISION NUMBER

12/12/2024

REVISION DATE

D.Jensen

REVISION BY

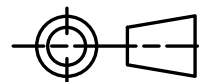
INITIAL RELEASE

REVISION DESCRIPTION

DIMENSIONS (Metric-millimetre-mm)
UNLESS OTHERWISE SPECIFIED

X.X 0.1
X.XX 0.05

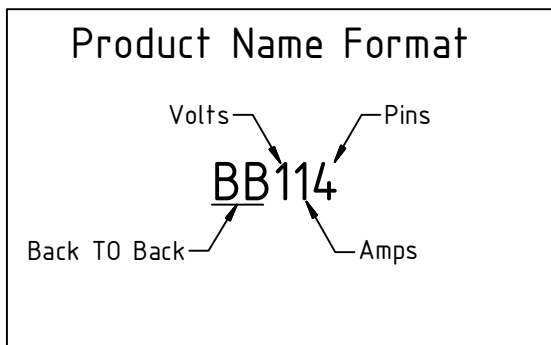
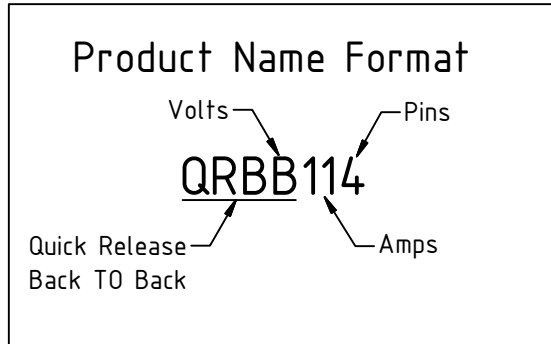
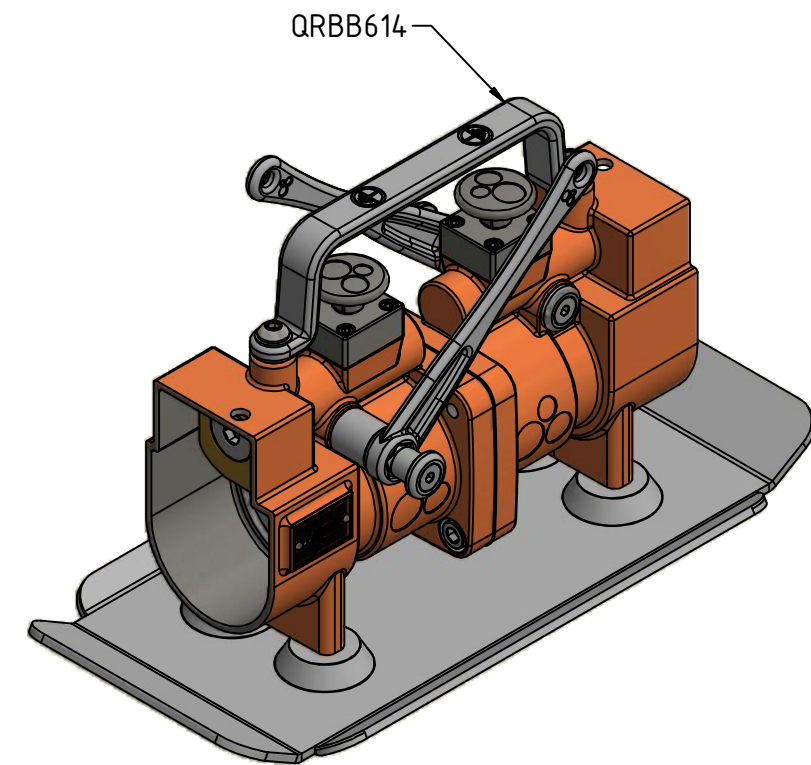
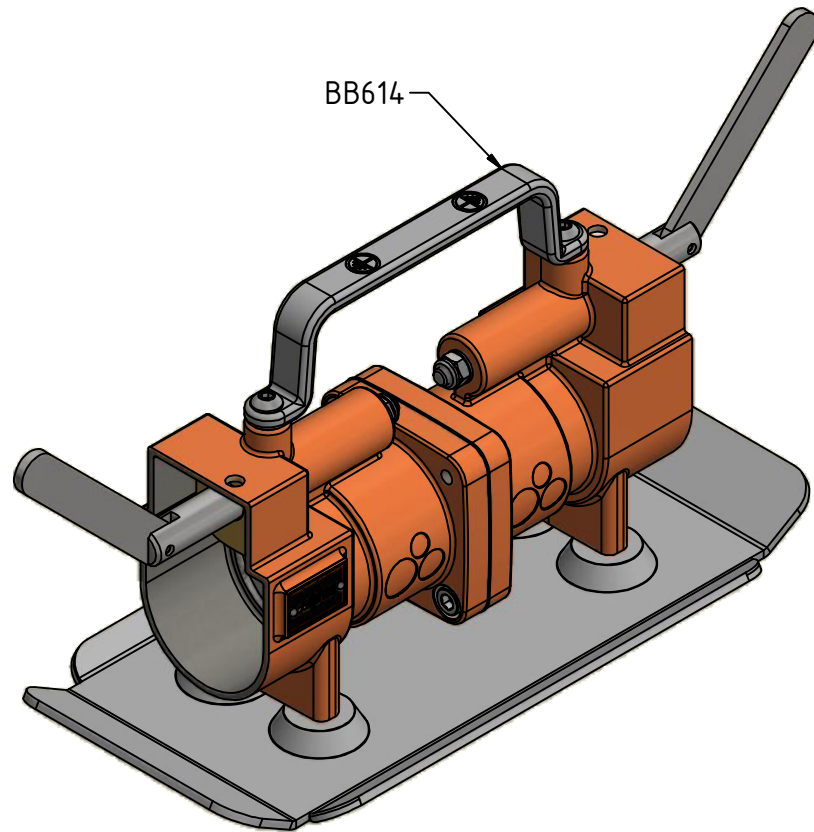
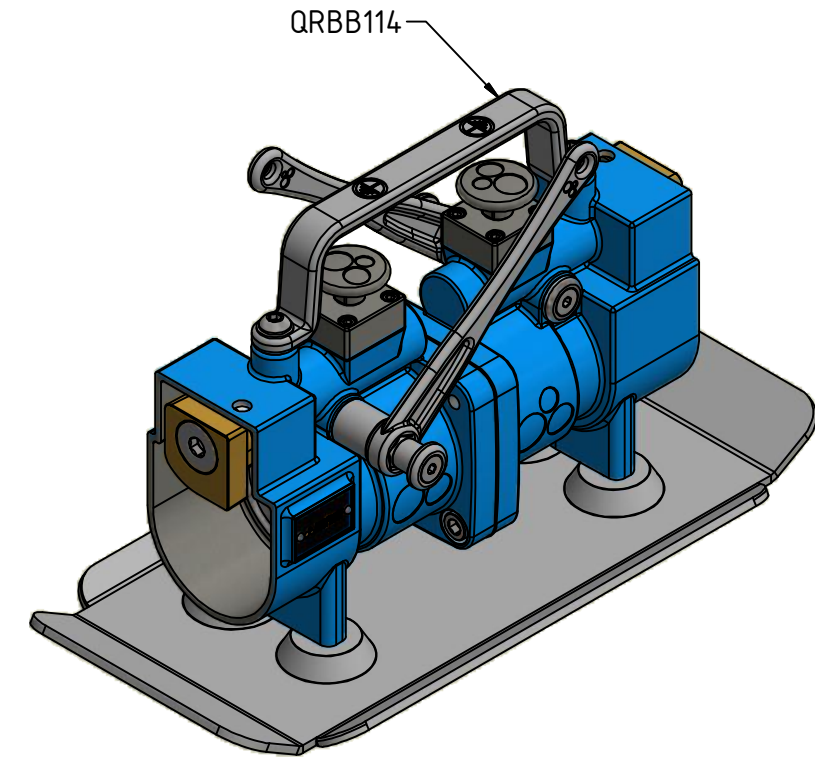
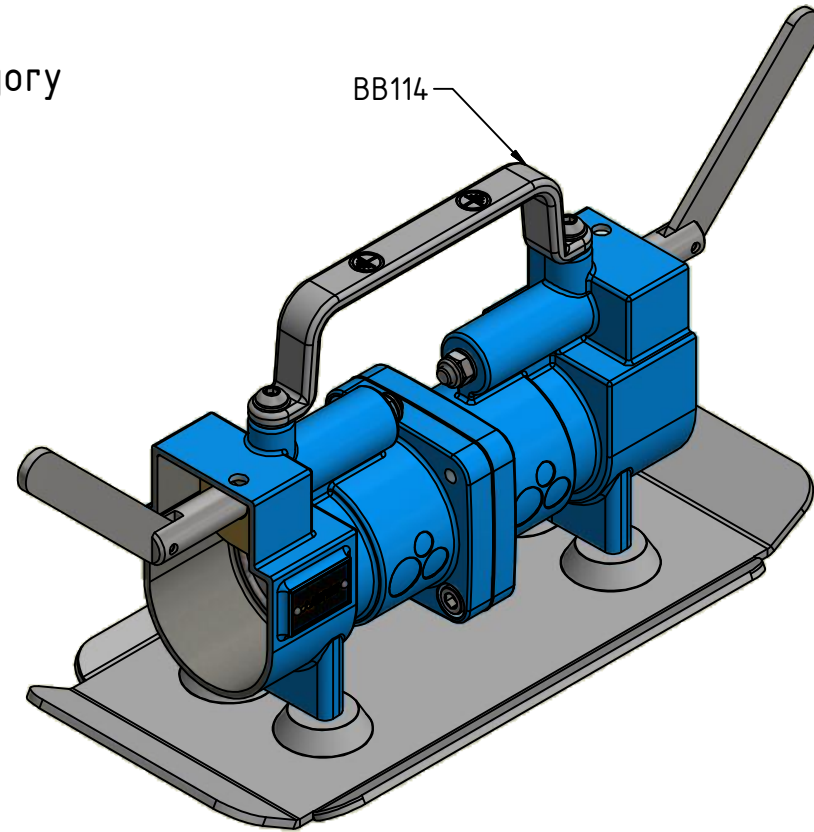
ALL SURFACES TO
UNLESS OTHERWISE NOTED



Ex

Ex

Note: Drawing numbers and their category
 ExB2B150-C1000 - Concept Drawings
 ExB2B150-C1100 - Flameproof
 ExB2B150-C1200 - Product Range
 ExB2B150-C1300 - General

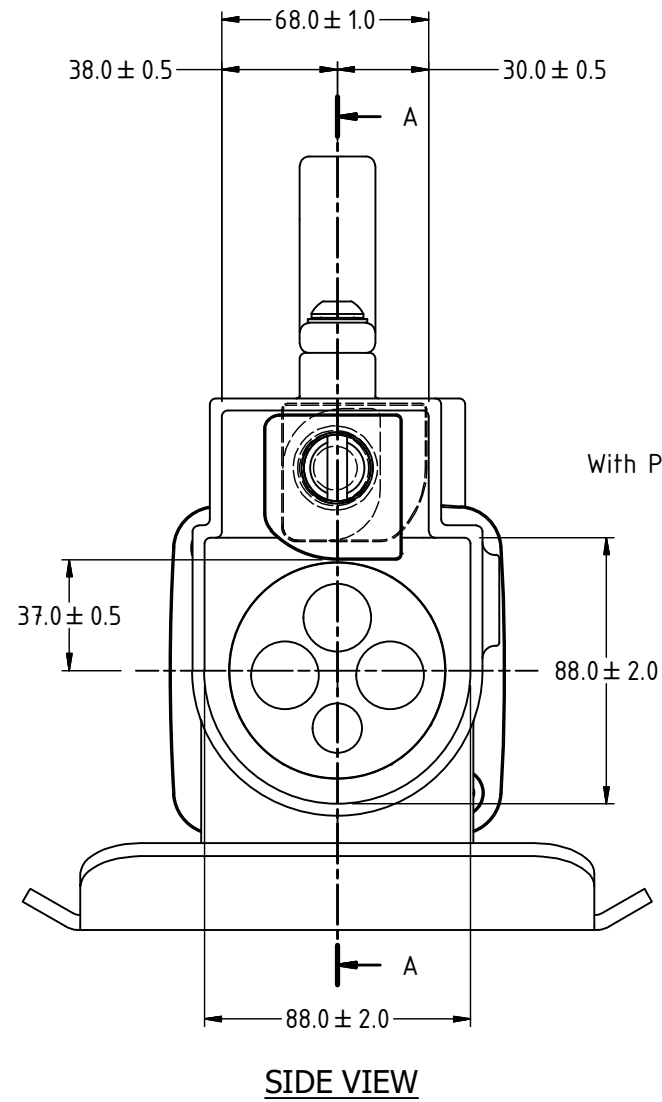


This drawing forms part of the documentation for
 Certification: IECEx SIM 20.0009X Issue: 0
 Alterations not authorised by Simtars may invalidate this certification.

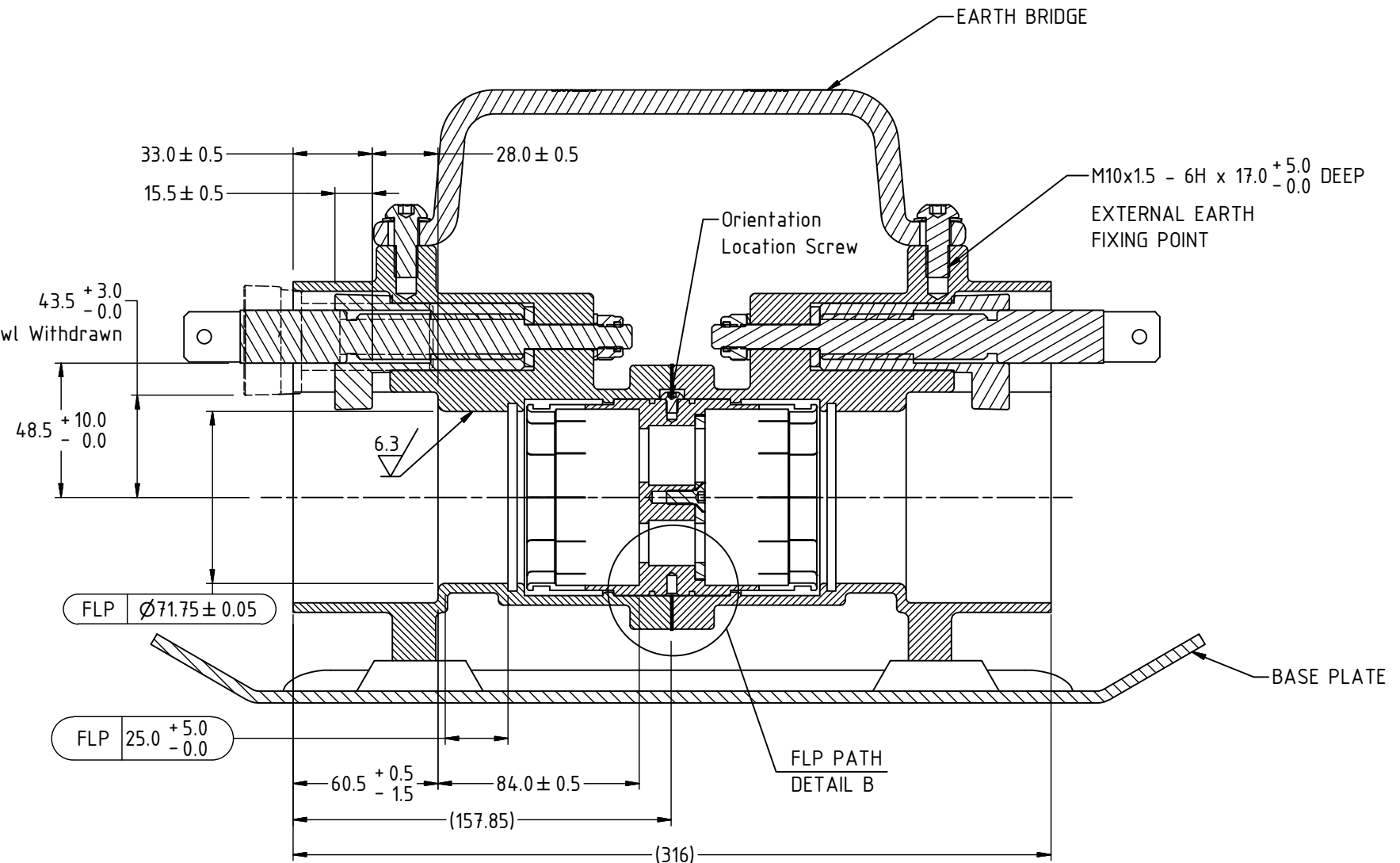
AUSPROOF PTY LTD		DRAWN BY G.Coumessos		DRAWING NUMBER ExB2B150-C1000		PRODUCT NAME 150 B2B Series Index CUSTOMER COPY		0		05/02/2019		D.Jensen		Updated to IECEx Standards	
© COPYRIGHT RESERVED		APPROVED BY C.Taylor		SIZE A3		REVISION NUMBER		REVISION DATE		REVISION BY		REVISION DESCRIPTION			
DIMENSIONS (Metric-millimetre-mm) UNLESS OTHERWISE SPECIFIED		X.X 0.1 X.XX 0.05													
ALL SURFACES TO UNLESS OTHERWISE NOTED															

Ex

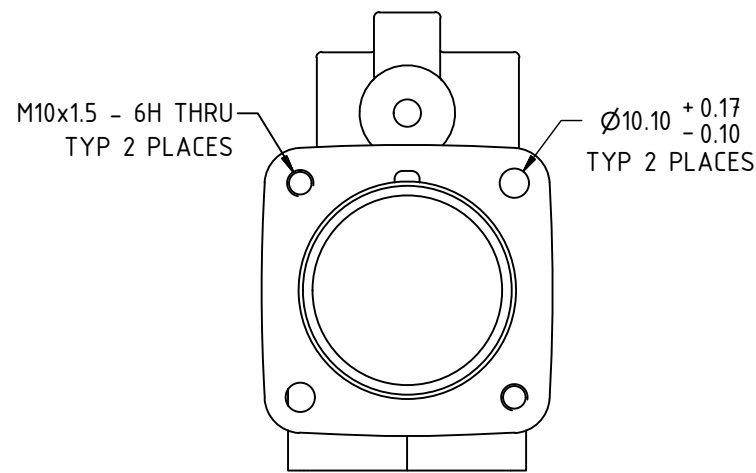
Ex



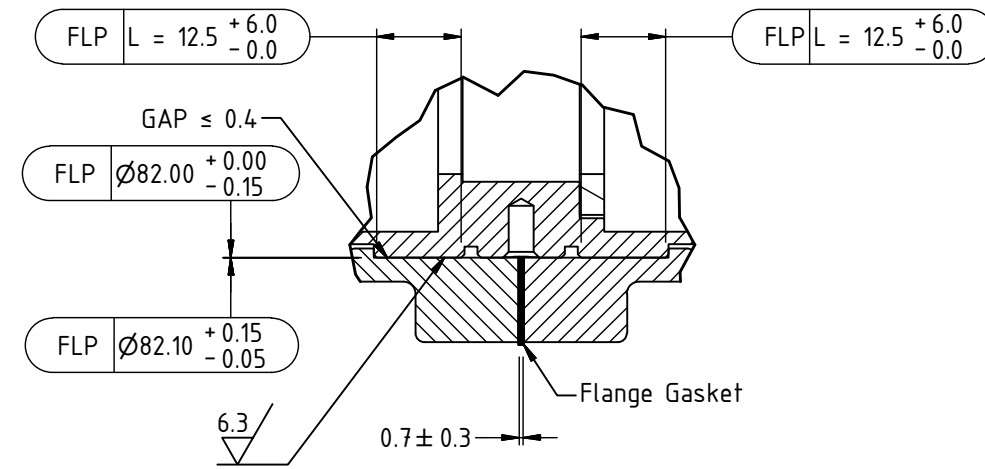
SIDE VIEW



SECTION A-A



FLANGE VIEW



FLP PATH DETAIL B

This drawing forms part of the documentation for Certification: IECEx SIM 20.0009X Issue: 0 Alterations not authorised by Simtars may invalidate this certification.

AUSPROOF PTY LTD

© COPYRIGHT RESERVED

DRAWN BY

G.Coumessos

APPROVED BY

C.Taylor

SIZE

A3

DRAWING NUMBER

ExB2B150-C1100

PRODUCT NAME

Common B2B Body
CUSTOMER COPY

0

REVISION NUMBER

05/02/2019

REVISION DATE

D.Jensen

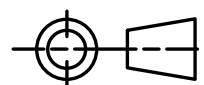
REVISION BY

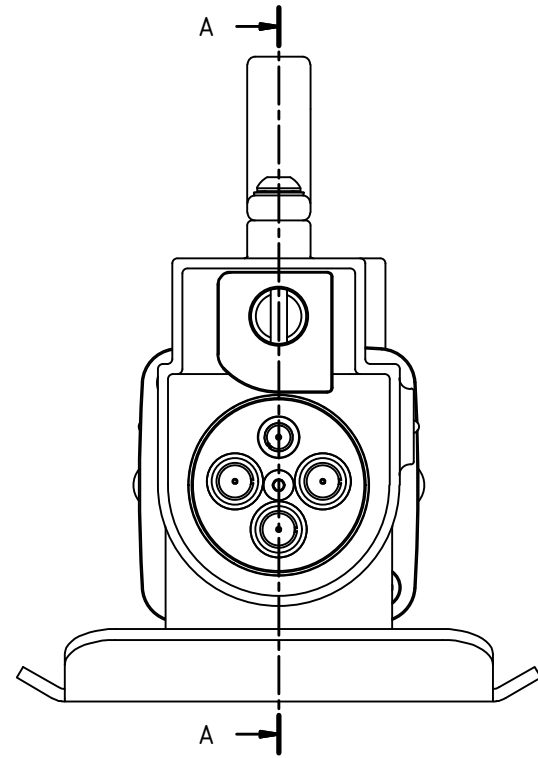
Updated to IECEx Standards

REVISION DESCRIPTION

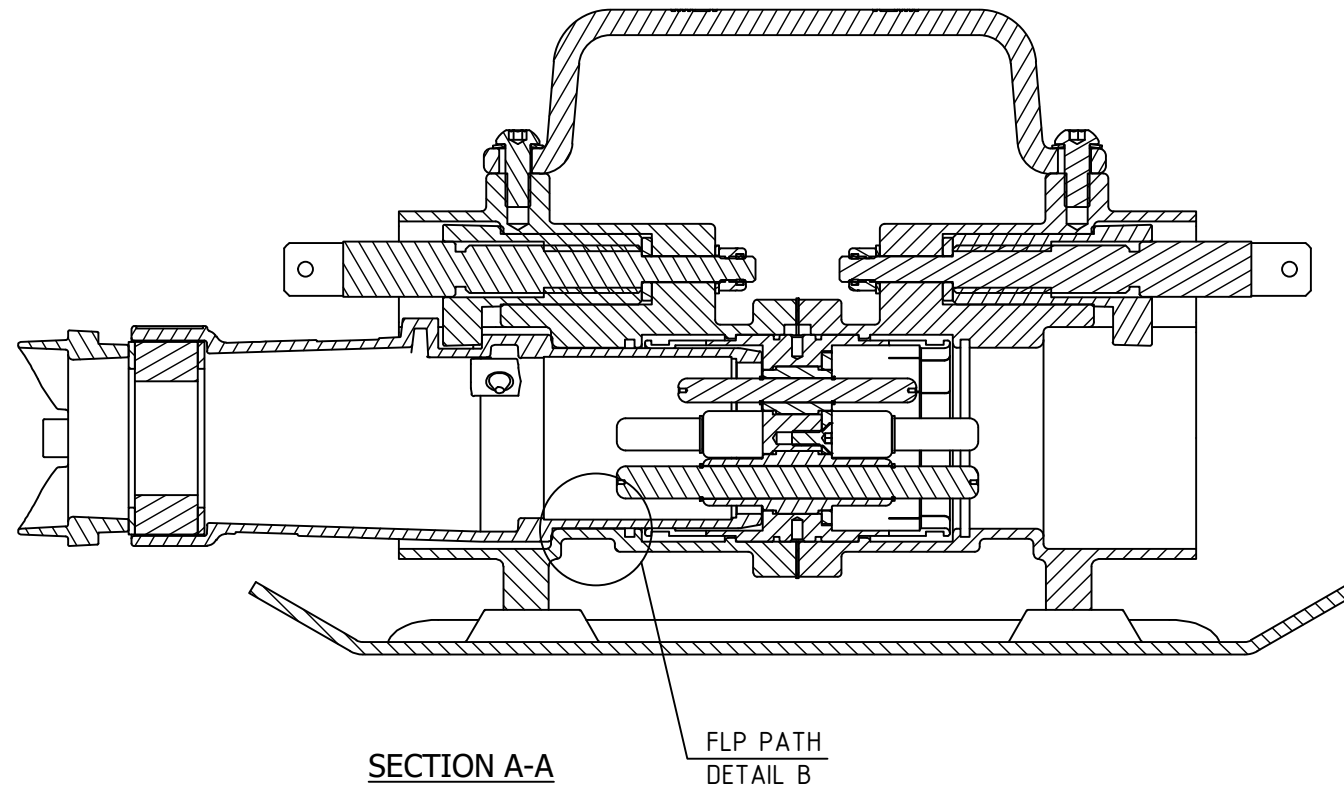
DIMENSIONS (Metric-millimetre-mm)
UNLESS OTHERWISE SPECIFIED
ALL SURFACES TO
UNLESS OTHERWISE NOTED

X.X 0.1
X.XX 0.05



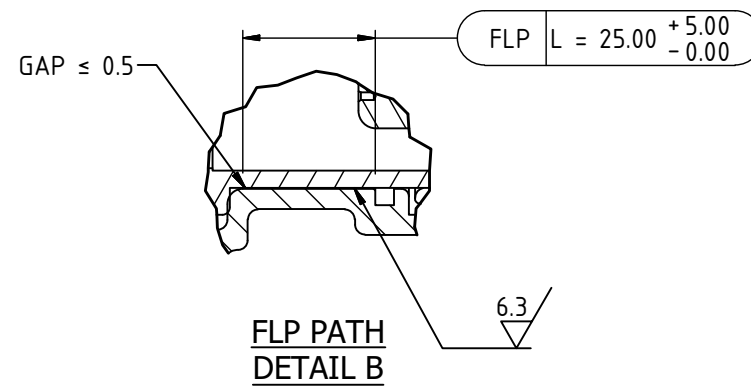


**PLUG INSERTED INTO BACK TO BACK
END VIEW**



SECTION A-A

**FLP PATH
DETAIL B**



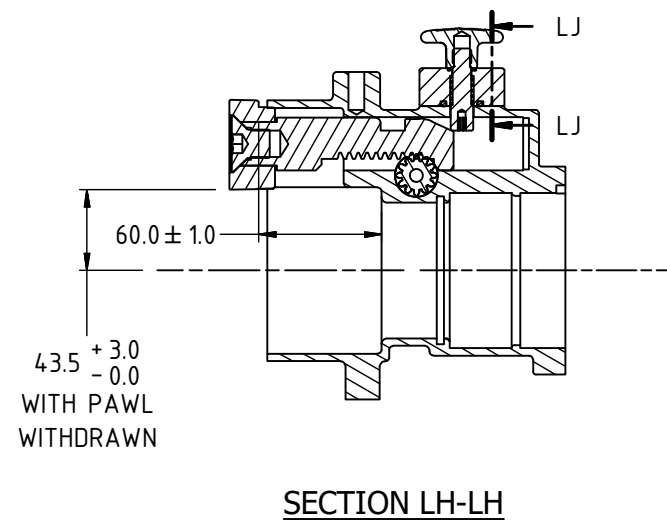
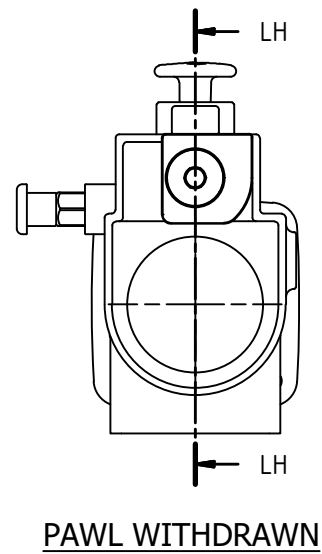
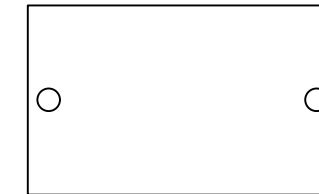
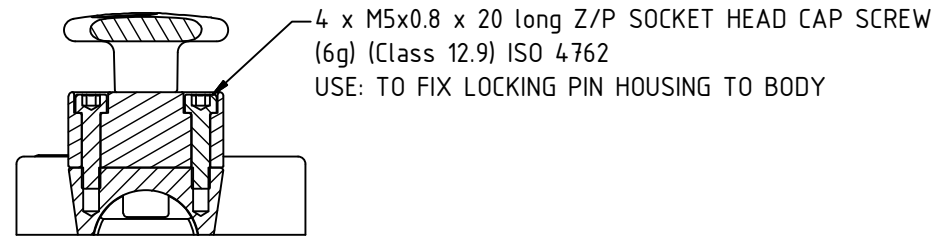
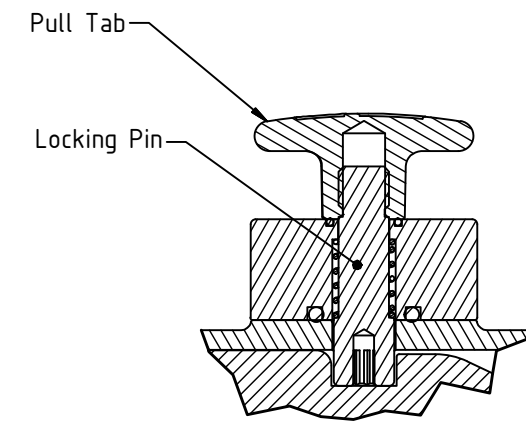
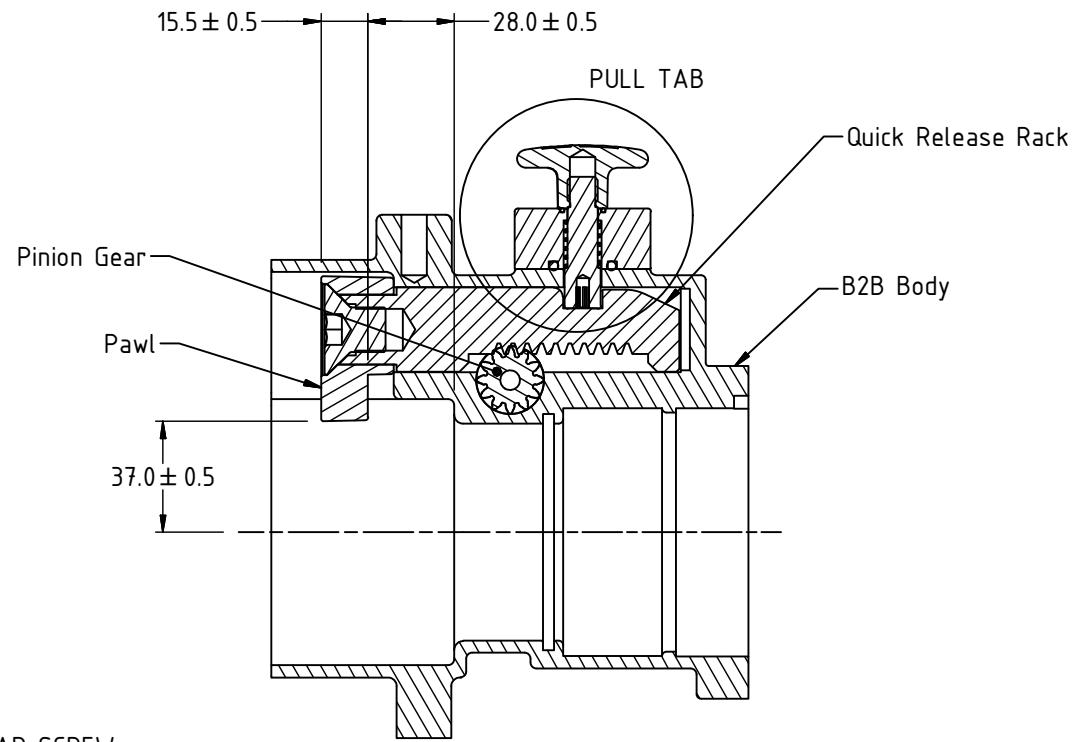
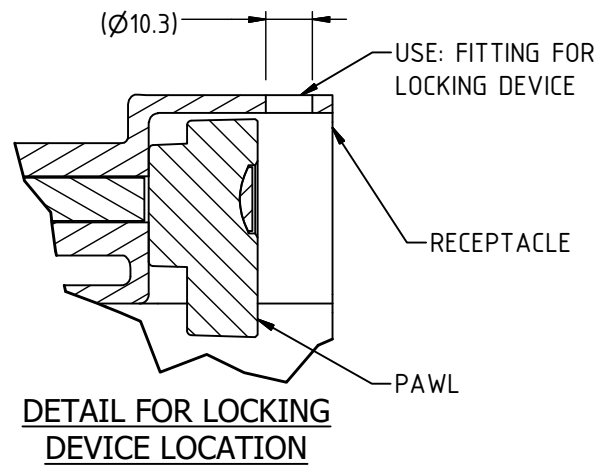
**FLP PATH
DETAIL B**

This drawing forms part of the documentation for
 Certification: IECEx SIM 20.0009X Issue: 0
 Alterations not authorised by Simtars may invalidate this certification.

AUSPROOF PTY LTD		DRAWN BY G.Coumessos		DRAWING NUMBER ExB2B150-C1101		PRODUCT NAME Plug And B2B Body		REVISION NUMBER 0		REVISION DATE 05/02/2019		REVISION BY D.Jensen		REVISION DESCRIPTION Updaed to IECEx Standards	
© COPYRIGHT RESERVED		APPROVED BY C.Taylor		SIZE A3		Engaged CUSTOMER COPY									
DIMENSIONS (Metric-millimetre-mm) UNLESS OTHERWISE SPECIFIED ALL SURFACES TO UNLESS OTHERWISE NOTED		X.X 0.1 X.XX 0.05													

Ex

Ex



MODEL IDENTIFICATION CROSS REFERENCE TABLE	
QUICK RELEASE TYPE BACK TO BACK	
QRBB614	
QRBB114	

This drawing forms part of the documentation for Certification: IECEx SIM 20.0009X Issue: 0 Alterations not authorised by Simtars may invalidate this certification.

AUSPROOF PTY LTD		DRAWN BY G.Coumossos		DRAWING NUMBER ExB2B150-C1305		PRODUCT NAME COM 150 B2B Quick Release CUSTOMER COPY		0		05/02/2019		D.Jensen		Updated to IECEx Standards	
© COPYRIGHT RESERVED		APPROVED BY C.Taylor		SIZE A3		REVISION NUMBER		REVISION DATE		REVISION BY		REVISION DESCRIPTION			
DIMENSIONS (Metric-millimetre-mm) UNLESS OTHERWISE SPECIFIED		X.X 0.1 X.XX 0.05		ALL SURFACES TO UNLESS OTHERWISE NOTED											

Ex

FASTENER SCHEDULE JACK IN

2 x M10x1.5 x 25 LONG Z/P BUTTON HEAD SOCKET CAP SCREWS (CLASS 12.9) (6g) ISO 7380
AND 2 x M10 S/S BELLEVILLE LOCK WASHER
USE: EARTH FIXING SCREWS FOR EARTH BRIDGE

2 x M10x1.5 Z/P NYLOC NUTS (CLASS 8) (6H) ISO 4017
AND 2 x M10 Z/P WASHER (CLASS 8) (200 HV) ISO 7089
USE: TO FIX PAWL SCREW INTO B2B BODY

4 x 4GAUGE x 1/4" Z/P HAMMER DRIVE
USE: FIXING LABEL TO B2B BODY

4 x M10x1.5 x 20 LONG Z/P SET SCREW (CLASS 4.6) (6g) ISO 4017
AND 4 x M10 B/S WASHER (CLASS 4) (200 HV) ISO 7089
USE: FIX BASE PLATE ONTO B2B BODY

4 x M10x1.5 x 25 LONG Z/P SOCKET HEAD CAP SCREWS (CLASS 12.9) (6g) ISO 4762
USE: TO FIX B2B BODIES TOGETHER

1 x M6x1.0 x 16 LONG Z/P COUNTERSUNK SOCKET HEAD SCREW (CLASS 12.9) (6g) ISO 10642
USE: TO FIX RETAINING PLATE TO CAGE

1 x M5x0.8 x 6 LONG Z/P BUTTON HEAD SOCKET CAP SCREWS (CLASS 12.9) (6g) ISO 7380
USE: FIX ROTATION OF CAGE

FASTENER SCHEDULE QUICK RELEASE

2 x M10x1.5 x 25 LONG Z/P BUTTON HEAD SOCKET CAP SCREWS (CLASS 12.9) (6g) ISO 7380
AND 2 x M10 S/S BELLEVILLE LOCK WASHER
USE: EARTH FIXING SCREWS FOR EARTH BRIDGE

4 x 4GAUGE x 1/4" Z/P HAMMER DRIVE
USE: FIXING LABEL TO B2B BODY

4 x M10x1.5 x 20 LONG Z/P SET SCREW (CLASS 4.6) (6g) ISO 4017
AND 4 x M10 B/S WASHER (CLASS 4) (200 HV) ISO 7089
USE: FIX BASE PLATE ONTO B2B BODY

4 x M10x1.5 x 25 LONG Z/P SOCKET HEAD CAP SCREWS (CLASS 12.9) (6g) ISO 4762
USE: TO FIX B2B BODIES TOGETHER

1 x M6x1.0 x 16 LONG Z/P COUNTERSUNK SOCKET HEAD SCREW (CLASS 12.9) (6g) ISO 10642
USE: TO FIX RETAINING PLATE TO CAGE

1 x M5x0.8 x 6 LONG Z/P BUTTON HEAD SOCKET CAP SCREWS (CLASS 12.9) (6g) ISO 7380
USE: FIX ROTATION OF CAGE

2 x M16x2.0 x 20 LONG Z/P COUNTERSUNK SOCKET HEAD SCREW (CLASS 12.9) (6g) ISO 10642
USE: FIX PAWL TO QR RACK

2 x M8x1.25 x 16 LONG Z/P COUNTERSUNK SOCKET HEAD SCREW (CLASS 12.9) (6g) ISO 10642
USE: TO FIX PINION RETAINING BOSS TO PINION

2 x M8x1.25 x 35 LONG Z/P COUNTERSUNK SOCKET HEAD SCREW (CLASS 12.9) (6g) ISO 10642
USE: TO FIX QR HANDLE TO QR RACK

8 x M5x1.25 x 20 LONG Z/P SOCKET HEAD CAP SCREWS (CLASS 12.9) (6g) ISO 4762
USE: TO FIX LOCKING PIN HOUSING TO B2B BODY

THREAD CLASS TO ISO 965
COARSE THREAD PITCH TO ISO 262

Ex

This drawing forms part of the documentation for
Certification: IECEx SIM 20.0009X Issue: 0
Alterations not authorised by Simtars may invalidate this certification.

AUSPROOF PTY LTD

© COPYRIGHT RESERVED

DRAWN BY

G.Coumossos

APPROVED BY

C.Taylor

SIZE

A3

DRAWING NUMBER

ExB2B150-C1306

PRODUCT NAME

FASTENER SCHEDULE
CUSTOMER COPY

0

REVISION NUMBER

05/02/2019

REVISION DATE

D.Jensen

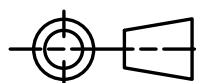
REVISION BY

Updaed to IECEx Standards

REVISION DESCRIPTION

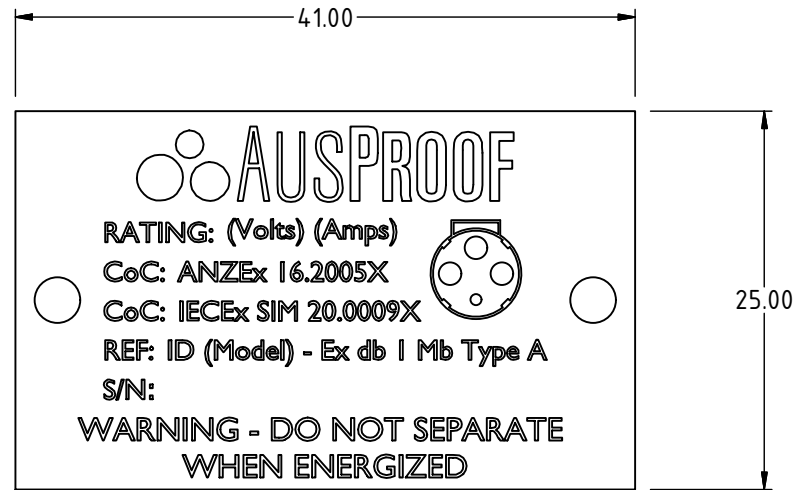
DIMENSIONS (Metric-millimetre-mm)

UNLESS OTHERWISE SPECIFIED

X.X 0.1
X.XX 0.05ALL SURFACES TO
UNLESS OTHERWISE NOTED

Ex

Ex



BACK TO BACK PRODUCT DATA LABEL
AS PER TABLE 1.0

Model	Volts	Amps
BB614	660	150
QRBB614	660	150
BB114	1100	150
QRBB114	1100	150

This drawing forms part of the documentation for
 Certification: IECEx SIM 20.0009X Issue: 0
 Alterations not authorised by Simtars may invalidate this certification.

AUSPROOF PTY LTD

© COPYRIGHT RESERVED

DRAWN BY

C.Taylor

APPROVED BY

L.Richards

DRAWING NUMBER

ExB2B150-C1307

PRODUCT NAME

Product marking labels
CUSTOMER COPY

0

REVISION NUMBER

05/02/2019

REVISION DATE

D.Jensen

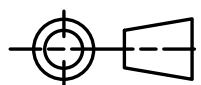
REVISION BY

Updaed to IECEx Standards

REVISION DESCRIPTION

DIMENSIONS (Metric-millimetre-mm)
UNLESS OTHERWISE SPECIFIED

X.X 0.1
X.XX 0.05

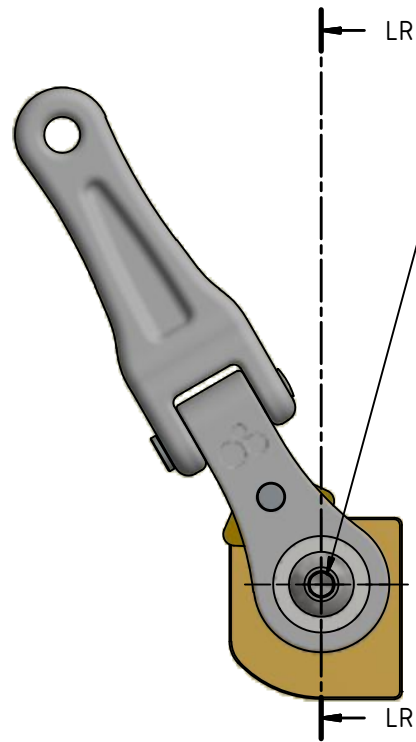


ALL SURFACES TO
UNLESS OTHERWISE NOTED

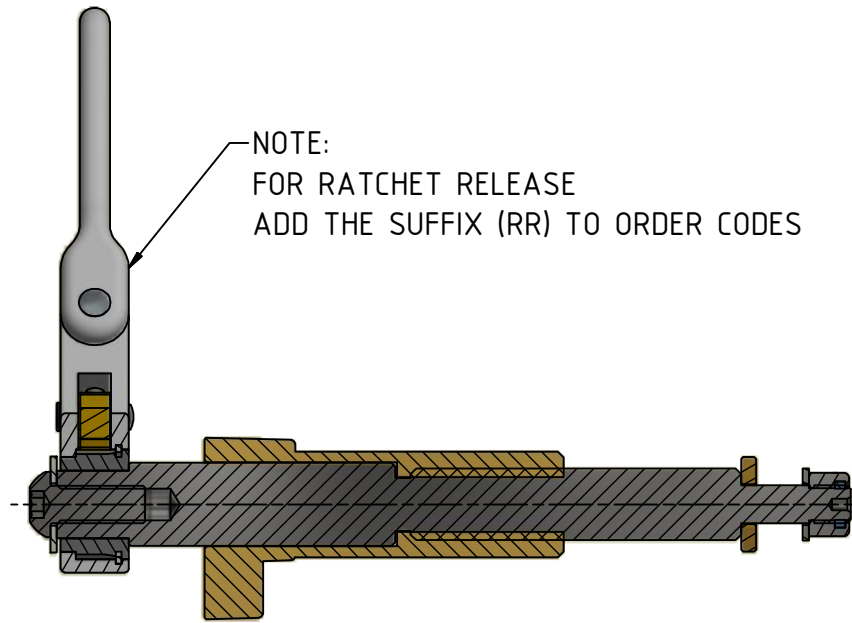
Ex

Ex

1 x M10x1.5 x 25 Z/P BHCS PN1824 (MIN Class 8.8) (6g) ISO 7380 OR A2/A4-70 STAINLESS STEEL PN10147
 AND 1 x 3/8 x 1" Z/P WASHER PN1941 (Min Class 5) (140 HV) ISO 7089 OR A2/A4-70 STAINLESS STEEL PN10152
 USE: TO FIX RATCHET RELEASE



FRONT VIEW

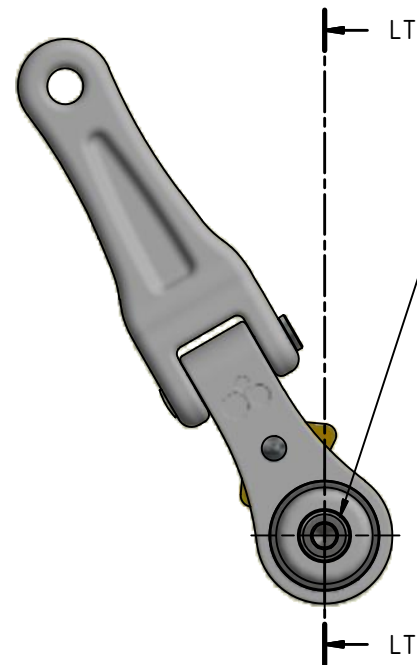


SECTION LR-LR

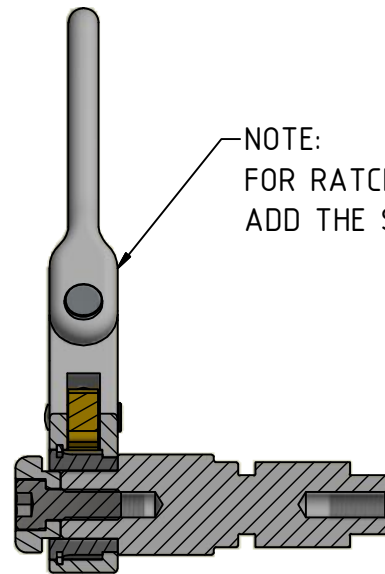
NOTE:
 FOR RATCHET RELEASE
 ADD THE SUFFIX (RR) TO ORDER CODES

MODEL IDENTIFICATION CROSS REFERENCE TABLE
BACK TO BACK TYPE
BB614RR
BB114RR

1 x M8x1.25 x 20 Z/P SHCS PN10119 (MIN Class 8.8) (6g) ISO 4762 OR A2/A4-70 STAINLESS STEEL PN:1077
 USE: TO FIX RATCHET RELEASE



FRONT VIEW



SECTION LT-LT

NOTE:
 FOR RATCHET RELEASE
 ADD THE SUFFIX (RR) TO ORDER CODES

MODEL IDENTIFICATION CROSS REFERENCE TABLE
QUICK RELEASE BACK TO BACK TYPE
QRBB614RR
QRBB114RR

This drawing forms part of the documentation for
 Certification: IECEX SIM 20.0009X Issue: 1
 Certification: ANZEX 16.2005X Issue: 6
 Alterations not authorised by Simtars may invalidate this certification.

AUSPROOF PTY LTD

© COPYRIGHT RESERVED

DRAWN BY

C.Taylor

APPROVED BY

D.Jensen

SIZE

A3

DRAWING NUMBER

ExB2B150-C1308

PRODUCT NAME

Common 150 B2B RR
 CUSTOMER COPY

0

REVISION NUMBER

12/12/2024

REVISION DATE

C.Taylor

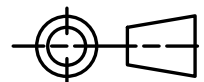
REVISION BY

FIXED FASTENER ISO

REVISION DESCRIPTION

DIMENSIONS (Metric-millimetre-mm)
 UNLESS OTHERWISE SPECIFIED
 ALL SURFACES TO
 UNLESS OTHERWISE NOTED

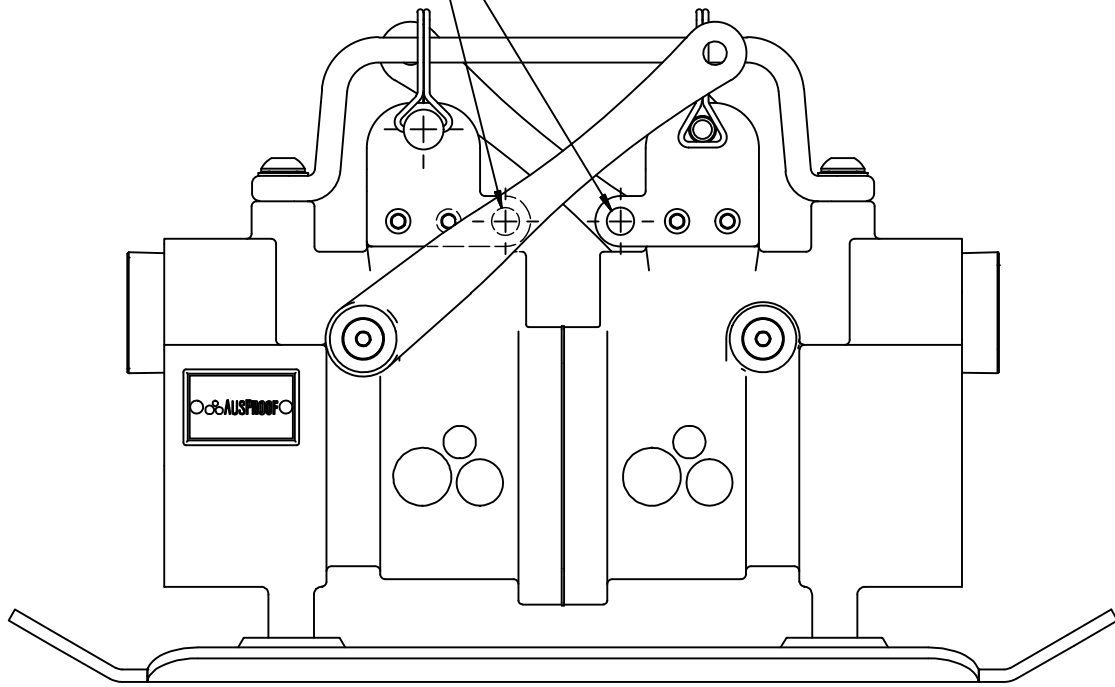
X.X 0.1
 X.XX 0.05



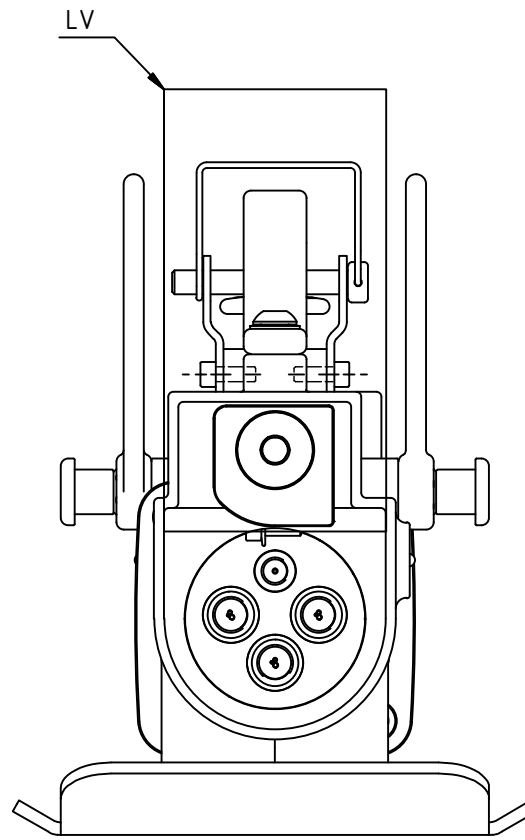
Ex

Ex

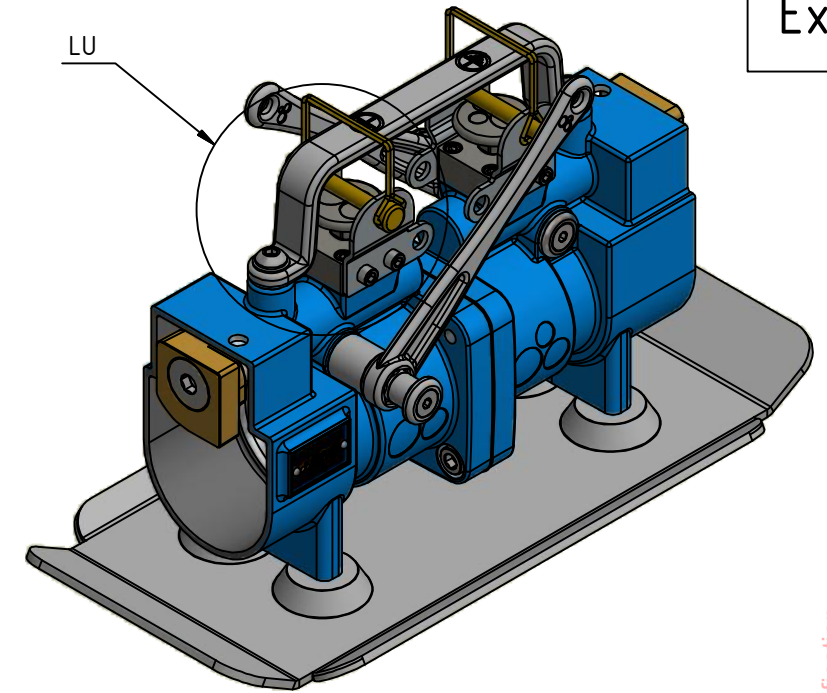
PROVISION FOR STORAGE OF LOCKOUT PIN



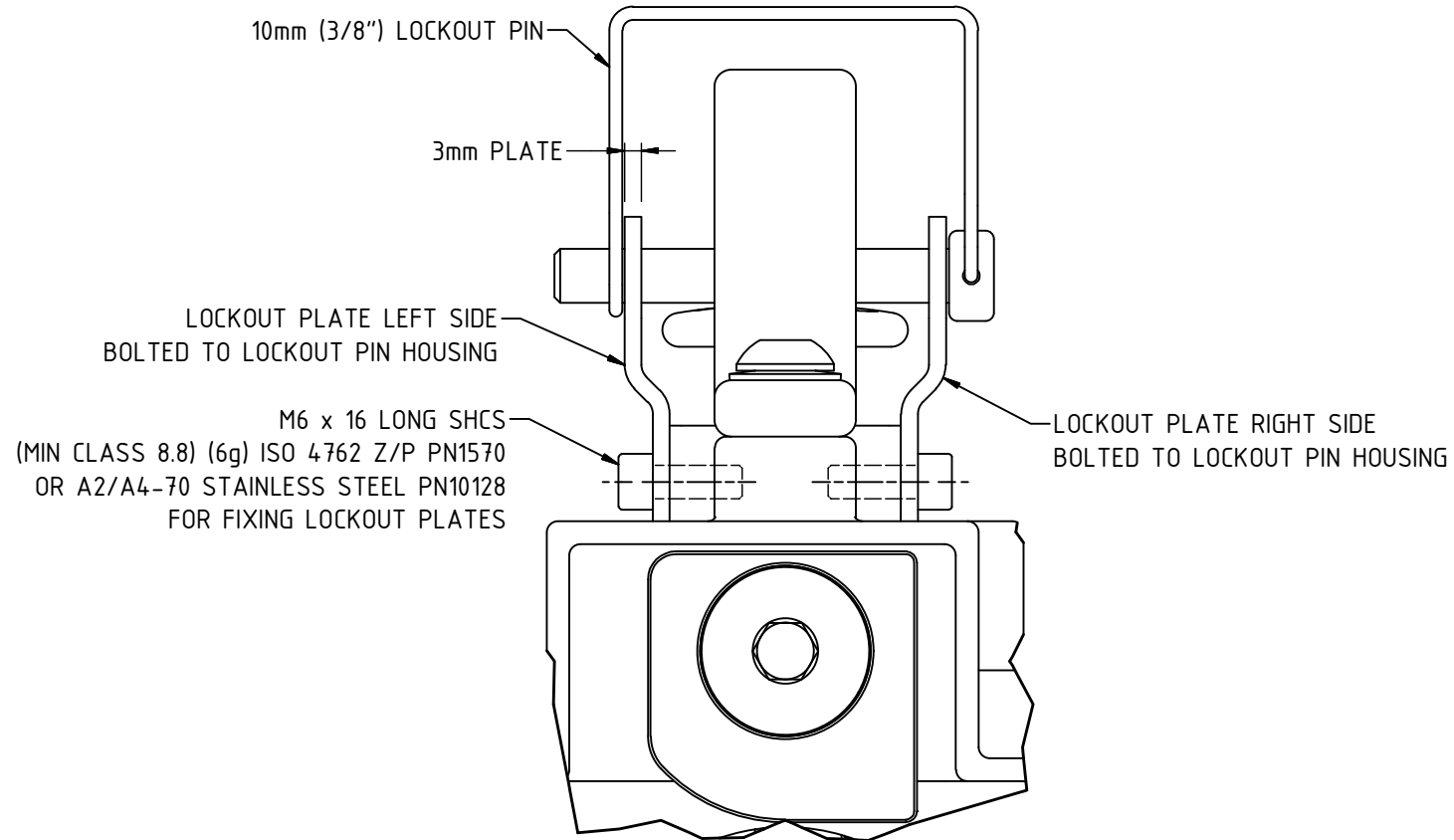
SIDE VIEW



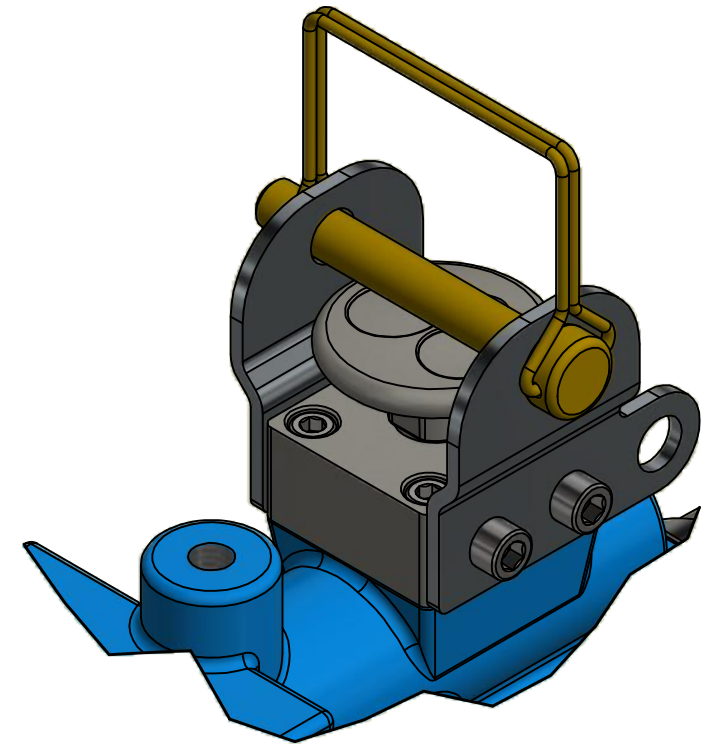
FRONT VIEW



ISOMETRIC VIEW



DETAIL LV



DETAIL LU
WITH EARTH BRIDGE AND RACKING HANDLES REMOVED FOR CLARITY
SIMILAR FOR BOTH RECEPTACLES

This drawing forms part of the documentation for
Certification: IECEx SIM 20.0009X Issue: 1
Certification: ANZEx 16.2005X Issue: 6
Alterations not authorised by Simtars may invalidate this certification.

AUSPROOF PTY LTD

© COPYRIGHT RESERVED

DRAWN BY

D.Jensen

APPROVED BY

C.Taylor

SIZE

A3

DRAWING NUMBER

ExB2B150-C1309

PRODUCT NAME

150 B2B Pin Lockout
CUSTOMER COPY

0

REVISION NUMBER

22/03/2022

REVISION DATE

D.Jensen

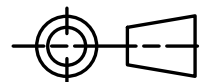
REVISION BY

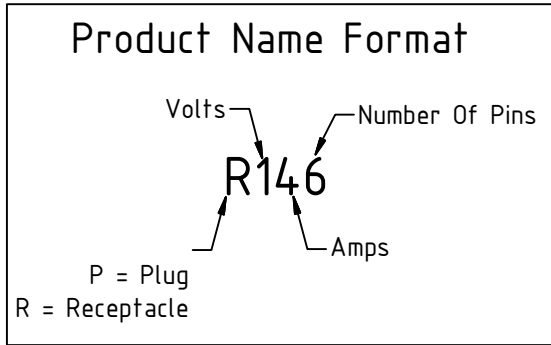
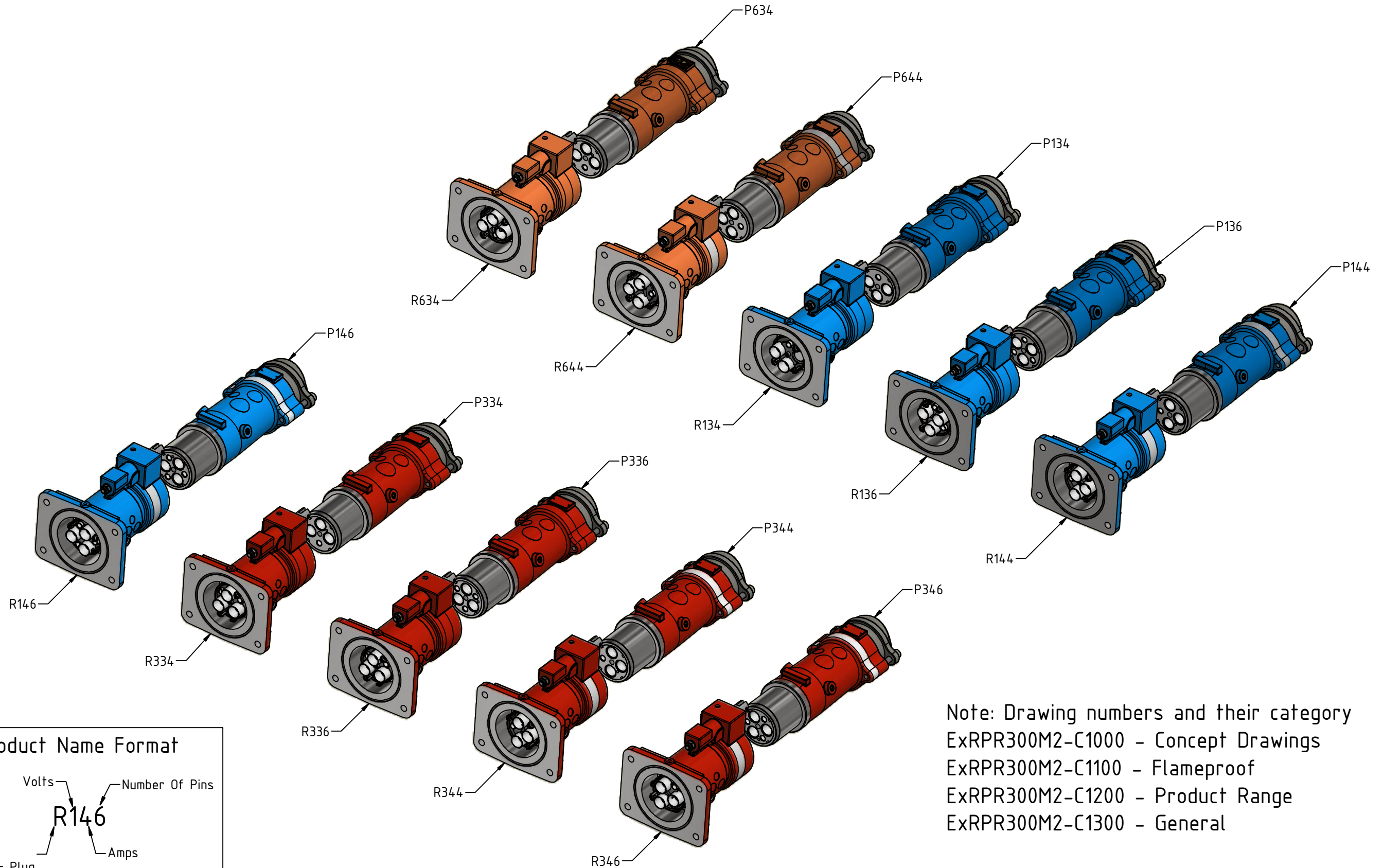
INITIAL RELEASE

REVISION DESCRIPTION

DIMENSIONS (Metric-millimetre-mm)
UNLESS OTHERWISE SPECIFIED
ALL SURFACES TO
UNLESS OTHERWISE NOTED

X.X 0.1
X.XX 0.05





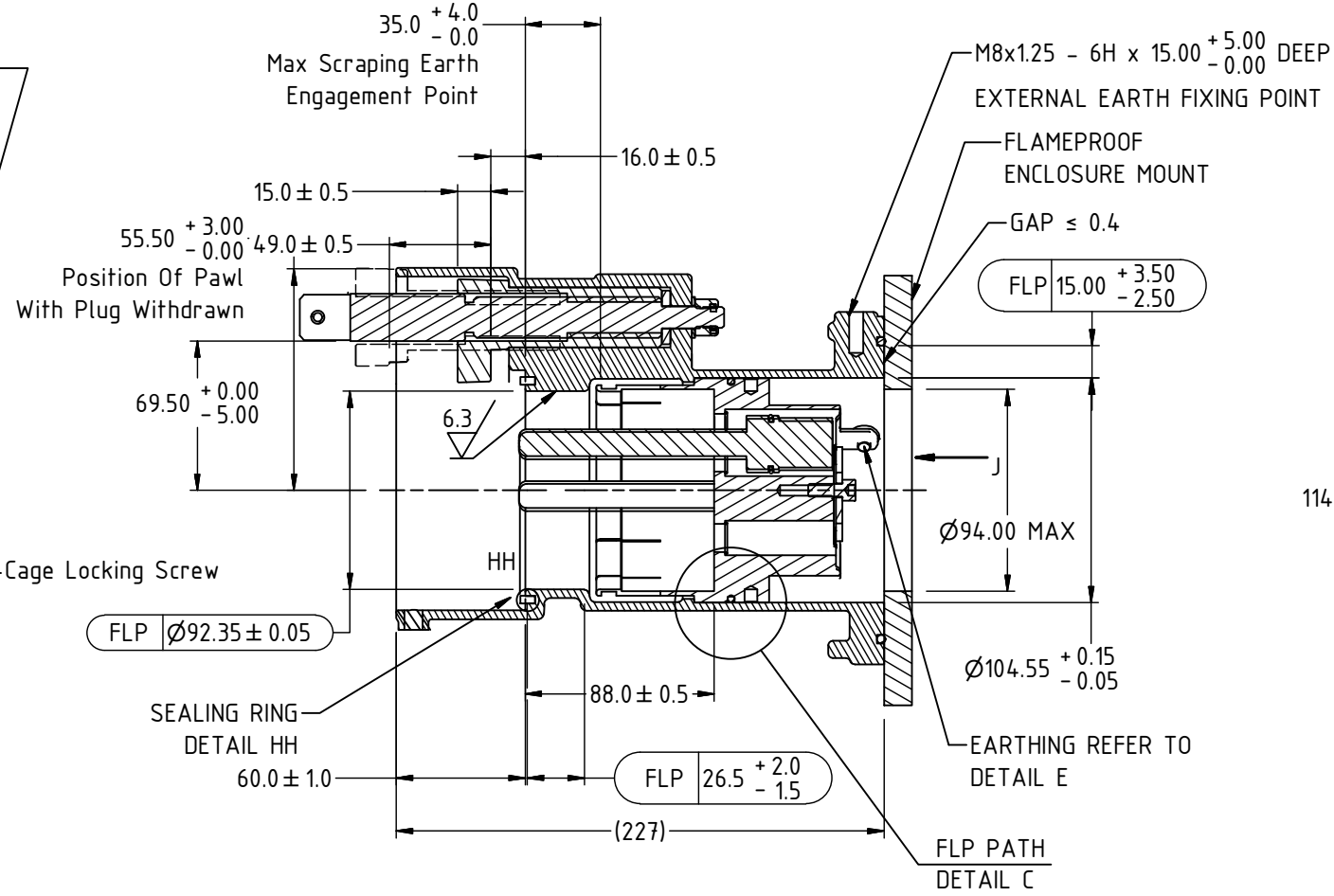
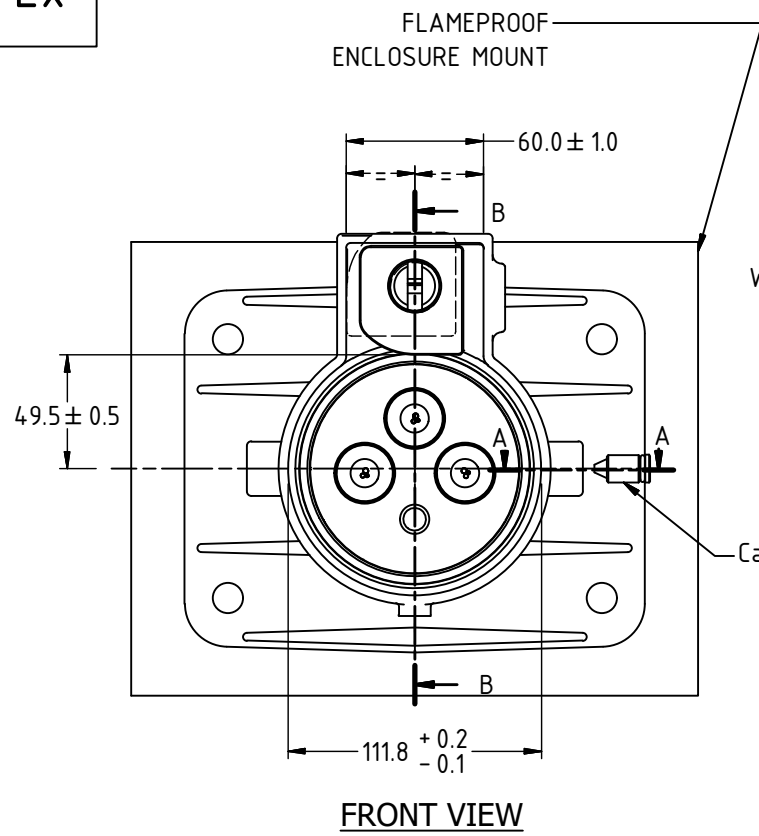
Note: Drawing numbers and their category
 ExRPR300M2-C1000 - Concept Drawings
 ExRPR300M2-C1100 - Flameproof
 ExRPR300M2-C1200 - Product Range
 ExRPR300M2-C1300 - General

This drawing forms part of the documentation for
 Certification: IECEx SIM 20.0009X Issue: 0
 Alterations not authorised by Simtars may invalidate this certification.

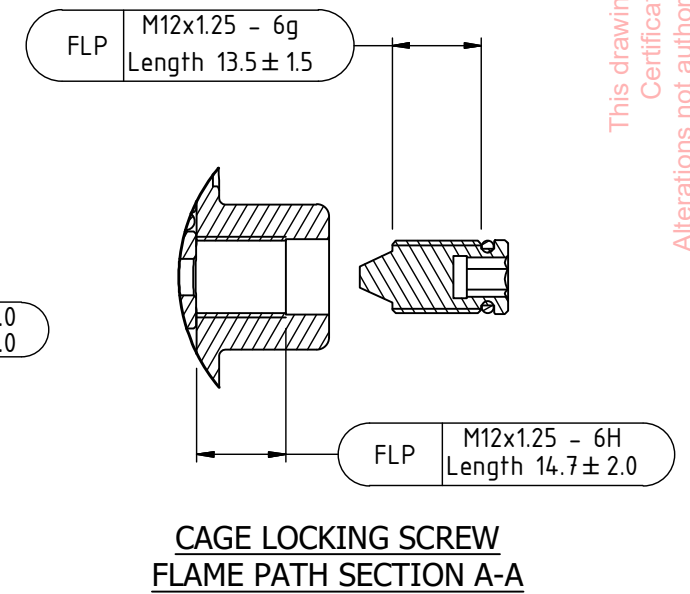
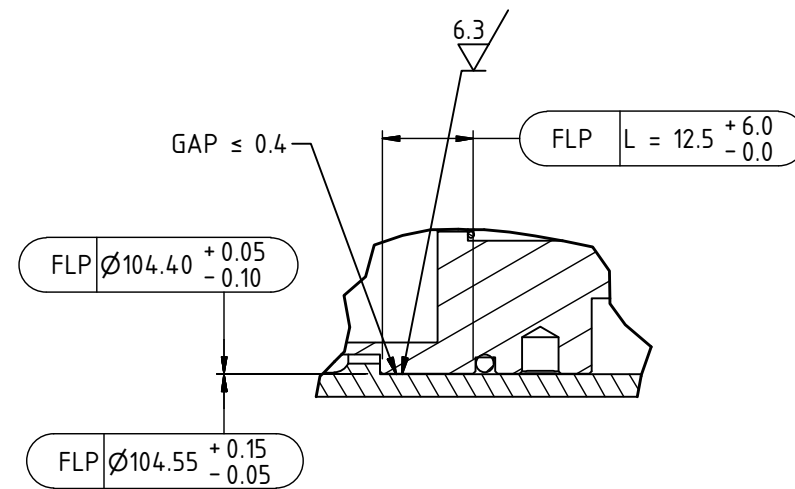
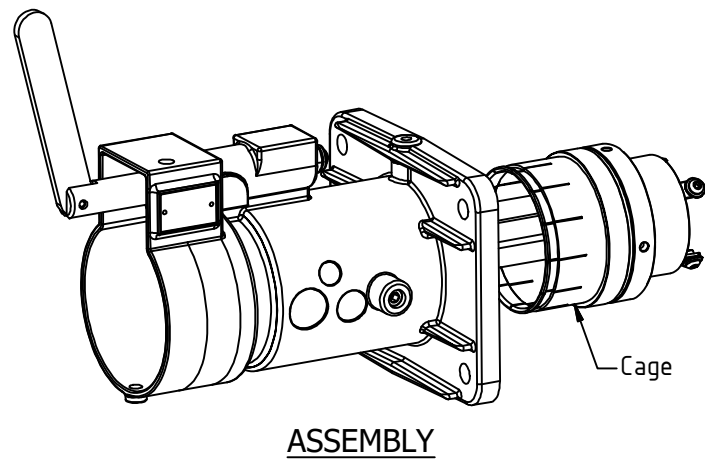
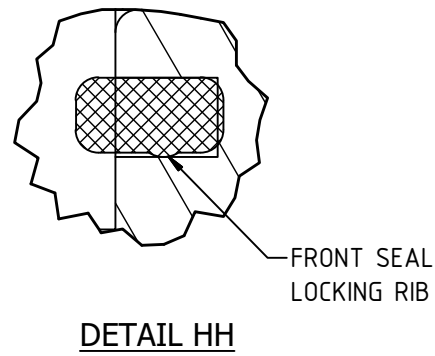
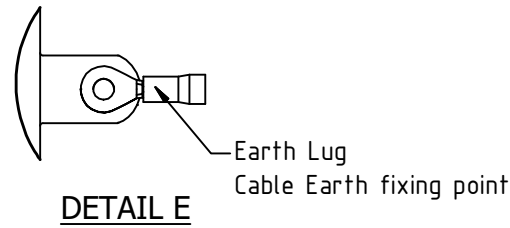
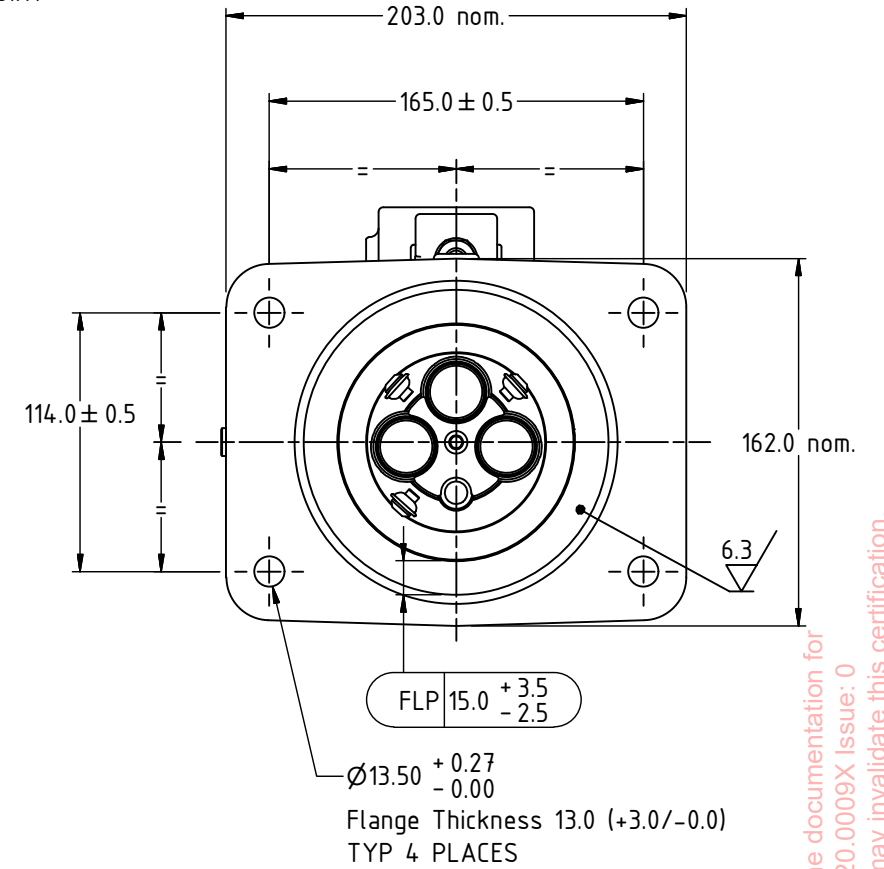
AUSPROOF PTY LTD		DRAWN BY G.Coumassos		DRAWING NUMBER ExRPR300M2-C1000		PRODUCT NAME 300 Series Index CUSTOMER COPY		1		07/10/2020		D.Jensen		Updated to IECEx Standards	
© COPYRIGHT RESERVED		APPROVED BY C.Taylor		SIZE A3		REVISION NUMBER		REVISION DATE		REVISION BY		REVISION DESCRIPTION			
DIMENSIONS (Metric-millimetre-mm) UNLESS OTHERWISE SPECIFIED		X.X 0.1 X.XX 0.05													
ALL SURFACES TO UNLESS OTHERWISE NOTED															

Ex

Ex



FLAME PATH SECTION B-B
TYPICAL FOR 4 PIN AND 6 PIN MODELS

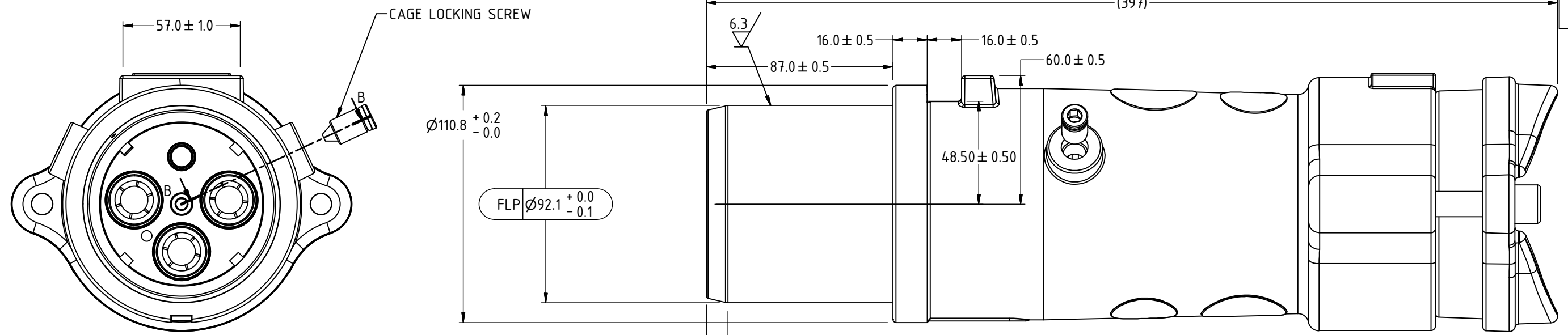


This drawing forms part of the documentation for
Certification: IECEx SIM 20.0009X Issue: 0
Alterations not authorised by Simtars may invalidate this certification.

AUSPROOF PTY LTD		DRAWN BY G.Coumessos		DRAWING NUMBER ExRPR300M2-C1100		PRODUCT NAME Common 300 Receptacle Body CUSTOMER COPY		1 07/10/2020 D.Jensen		Updated to IECEx Standards	
© COPYRIGHT RESERVED		APPROVED BY C.Taylor		SIZE A3		REVISION NUMBER		REVISION DATE		REVISION DESCRIPTION	
DIMENSIONS (Metric-millimetre-mm) UNLESS OTHERWISE SPECIFIED		X.X 0.1 X.XX 0.05		ALL SURFACES TO UNLESS OTHERWISE NOTED							

Ex

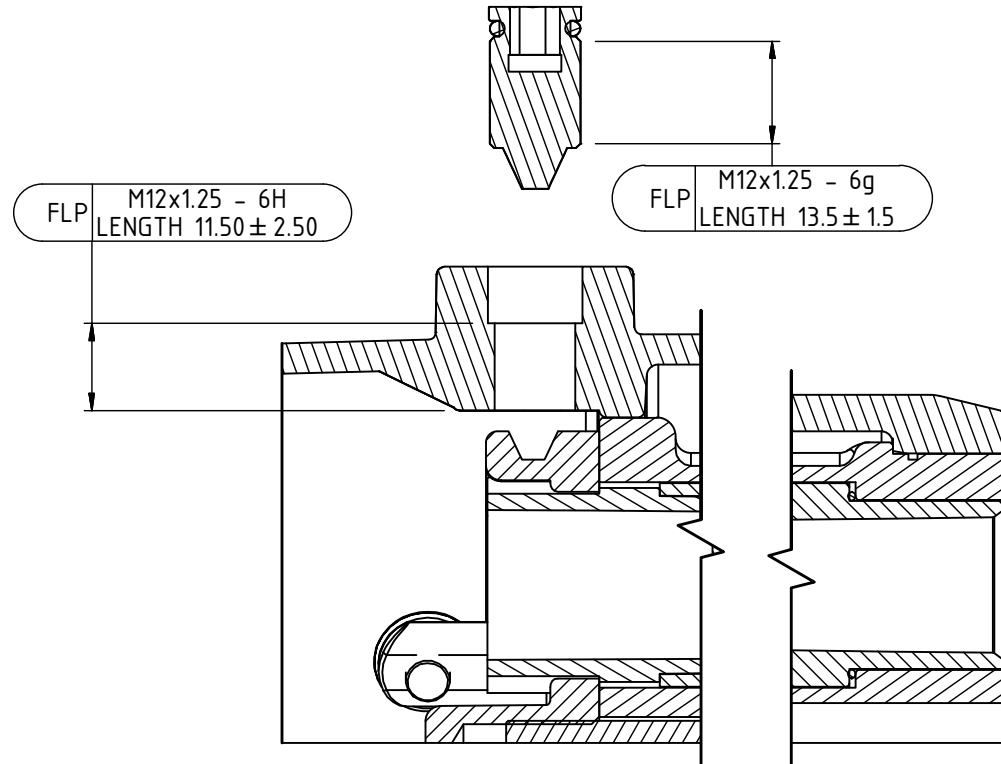
Ex



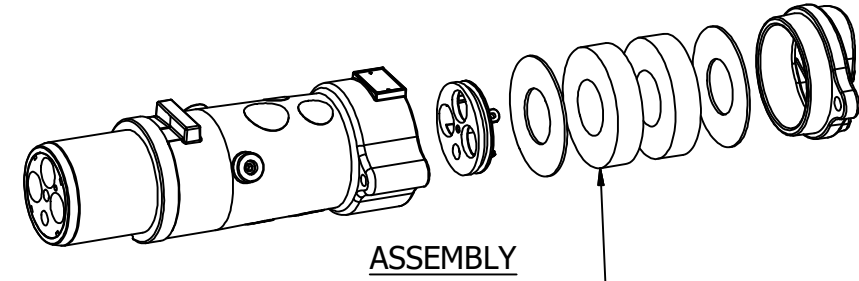
TOP VIEW

FLAMEPATH DETAIL OF PLUG BODY

9.5 ± 0.5

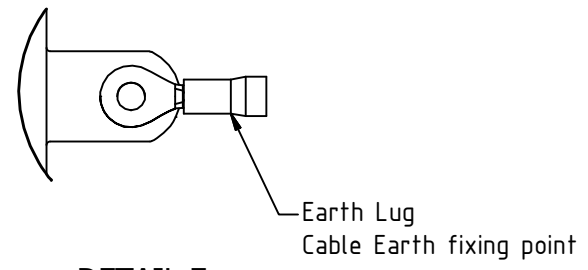


CAGE LOCKING SCREW
FLAMEPROOF PATH
TYP FOR 4&6 PIN MODELS
SECTION B-B



ASSEMBLY

Refer to drawings for Gland details:
ExRPR300M2-C1303



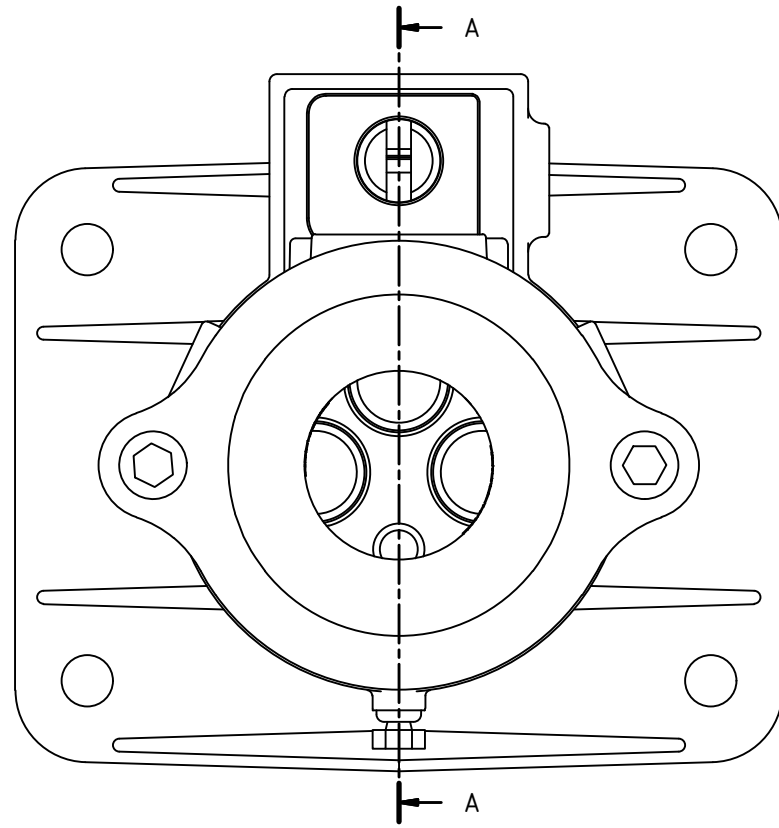
DETAIL E

This drawing forms part of the documentation for
Certification: IECEx SIM 20.0009X Issue: 1
Certification: ANZEx 16.2005X Issue: 6
Alterations not authorised by Simtars may invalidate this certification.

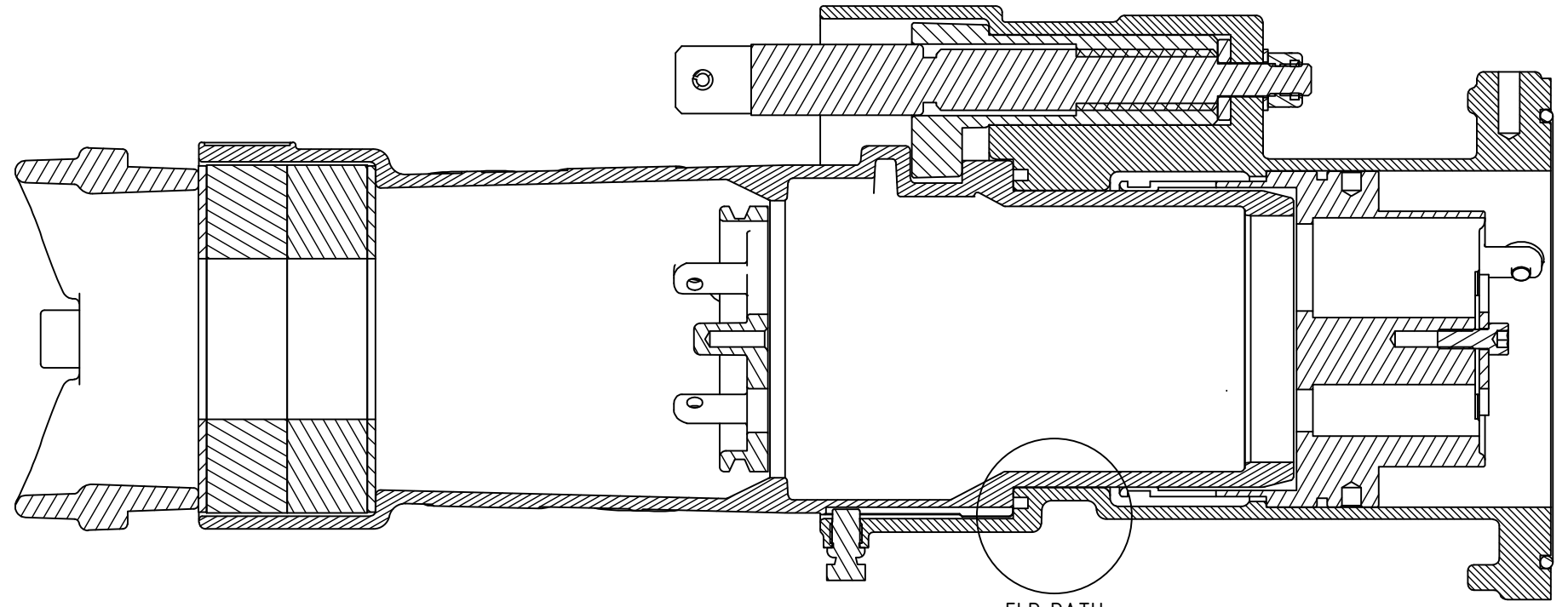
AUSPROOF PTY LTD		DRAWN BY G.Coumessos		DRAWING NUMBER ExRPR300M2-C1101		PRODUCT NAME Common 300 Plug Body CUSTOMER COPY		2		08/01/2025		D.Jensen		Refer to drawings for Gland details: ExRPR300M2-C1303	
© COPYRIGHT RESERVED		APPROVED BY C.Taylor		SIZE A3		REVISION NUMBER		REVISION DATE		REVISION BY		REVISION DESCRIPTION			
DIMENSIONS (Metric-millimetre-mm) UNLESS OTHERWISE SPECIFIED		X.X 0.1 X.XX 0.05		ALL SURFACES TO UNLESS OTHERWISE NOTED											

Ex

Ex

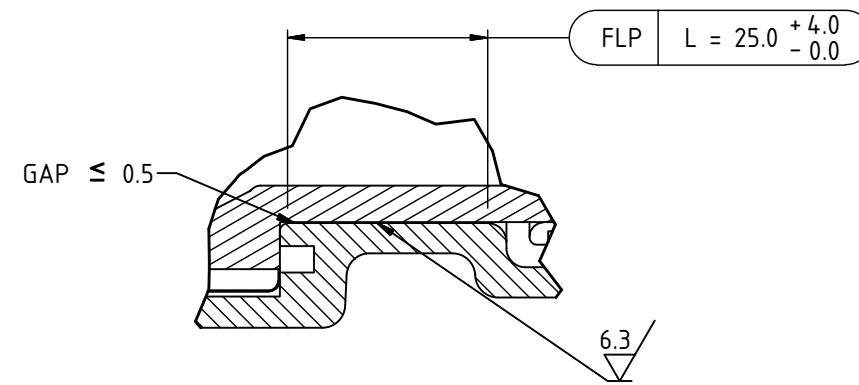


PLUG RECEPTACLE COUPLING
END VIEW



SECTION A-A

FLP PATH
DETAIL B



DETAIL B

This drawing forms part of the documentation for
Certification: IECEX SIM 20.0009X Issue: 0
Alterations not authorised by Simtars may invalidate this certification.

AUSPROOF PTY LTD

© COPYRIGHT RESERVED

DRAWN BY

G.Coumessos

APPROVED BY

C.Taylor

SIZE

A3

DRAWING NUMBER

ExRPR300M2-C1102

PRODUCT NAME

300 Plug & Receptacle Engaged
CUSTOMER COPY

1

REVISION NUMBER

07/10/2020

REVISION DATE

D.Jensen

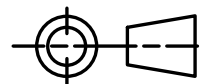
REVISION BY

Updated to IECEX Standards

REVISION DESCRIPTION

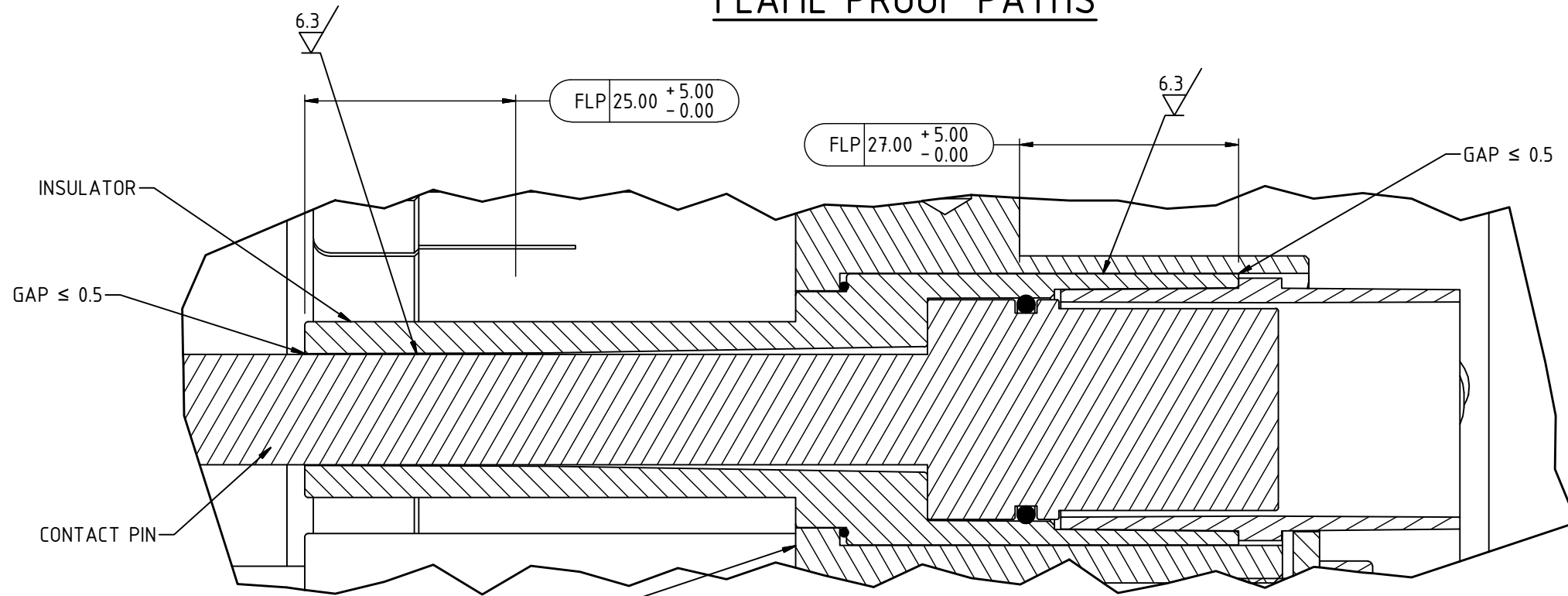
DIMENSIONS (Metric-millimetre-mm)
UNLESS OTHERWISE SPECIFIED

X.X 0.1
X.XX 0.05

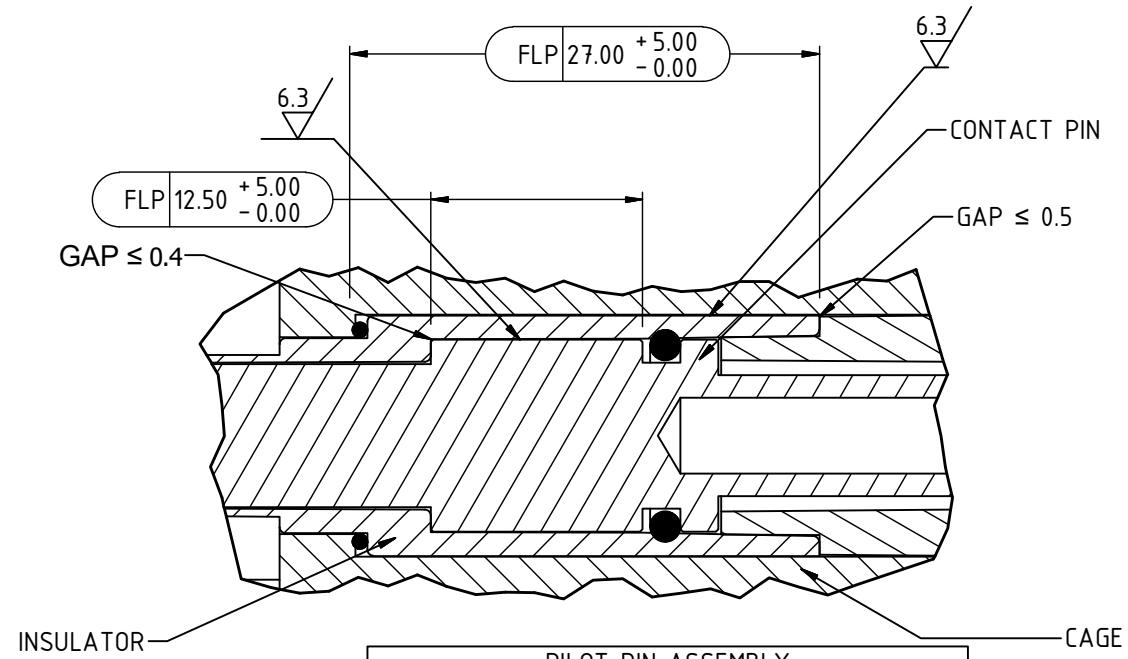


ALL SURFACES TO
UNLESS OTHERWISE NOTED

RECEPTACLE CONTACT/INSULATOR/4-PIN CAGE ASSEMBLY FLAME PROOF PATHS



PHASE PIN ASSEMBLY	
Product	Rating
R334	3300V/300A



PILOT PIN ASSEMBLY	
Product	Rating
R334	3300V/300A
R134	1100V/300A
R344	3300V/425A
R144	1100V/425A
R634	660V/300A
R644	660V/425A

This drawing forms part of the documentation for
 Certification: IECEx SIM 20.0009X Issue: 0
 Alterations not authorised by Simtars may invalidate this certification.

AUSPROOF PTY LTD
 © COPYRIGHT RESERVED

DIMENSIONS (Metric-millimetre-mm)
 UNLESS OTHERWISE SPECIFIED

ALL SURFACES TO
 UNLESS OTHERWISE NOTED

X.X 0.1
 X.XX 0.05

DRAWN BY
G.Coumessos

APPROVED BY
C.Taylor

SIZE
A3

DRAWING NUMBER
ExRPR300M2-C1103

PRODUCT NAME
**300 FLAME PATH SPECIFICATIONS
 CUSTOMER COPY**

1	07/10/2020	D.Jensen
REVISION NUMBER	REVISION DATE	REVISION BY

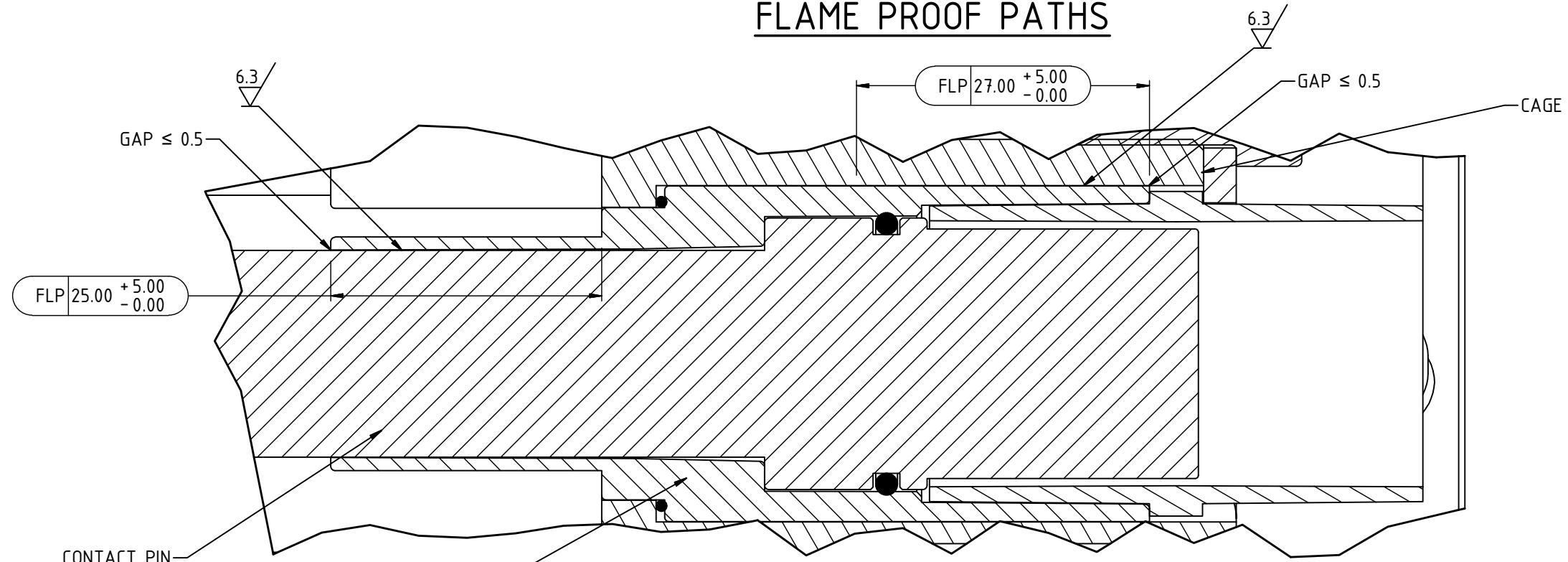
Updated to IECEx Standards

REVISION DESCRIPTION

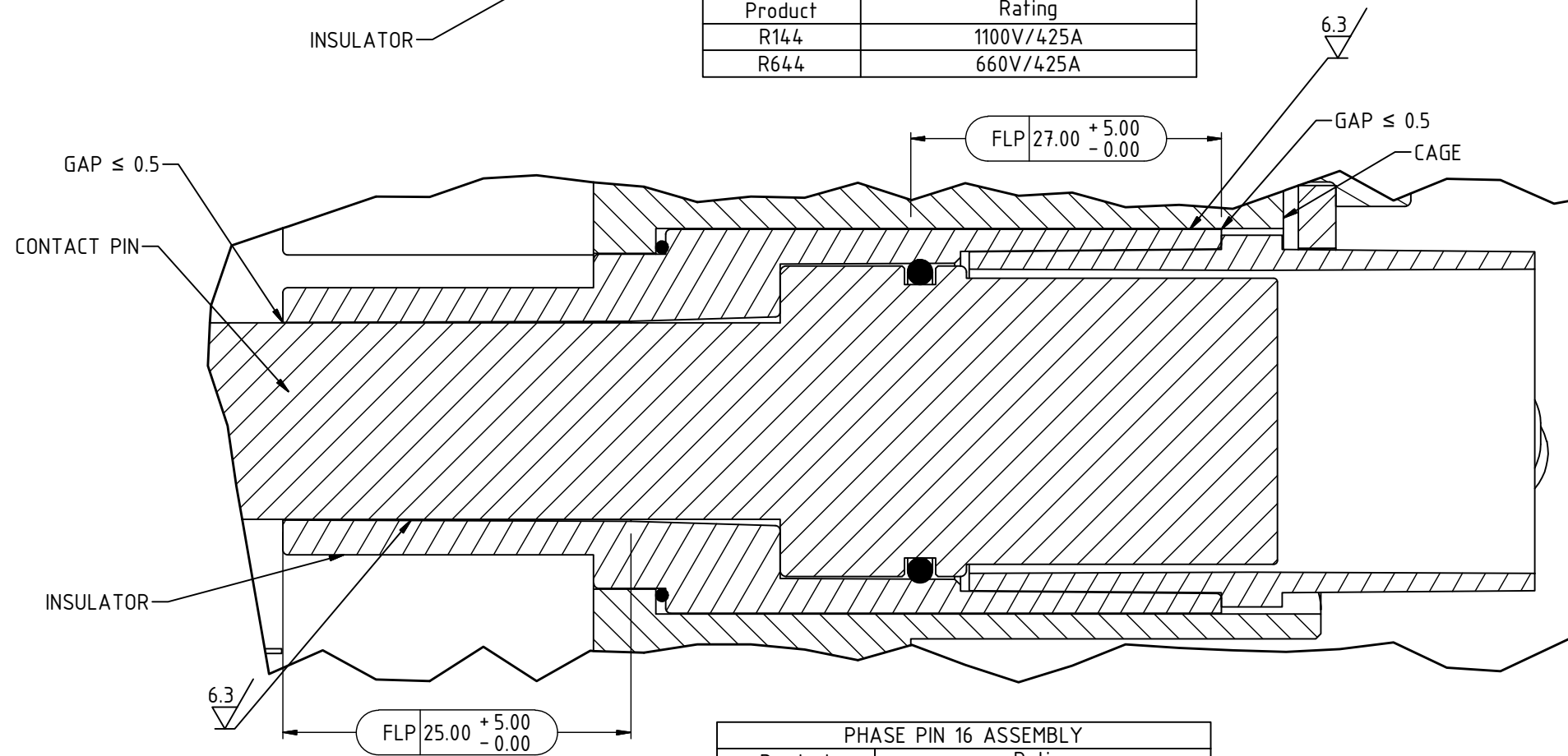
Ex

RECEPTACLE CONTACT/INSULATOR/4-PIN CAGE ASSEMBLY FLAME PROOF PATHS

Ex



PHASE PIN 19 ASSEMBLY	
Product	Rating
R144	1100V/425A
R644	660V/425A



PHASE PIN 16 ASSEMBLY	
Product	Rating
R134	1100V/300A
R634	660V/300A
R344	3300V/425A

AUSPROOF PTY LTD

© COPYRIGHT RESERVED

DRAWN BY

G.Coumessos

APPROVED BY

C.Taylor

SIZE

A3

DRAWING NUMBER

ExRPR300M2-C1104

PRODUCT NAME

300 FLAME PATH SPECIFICATIONS
CUSTOMER COPY

1

REVISION NUMBER

07/10/2020

REVISION DATE

D.Jensen

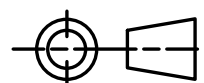
REVISION BY

Updated to IECEx Standards

REVISION DESCRIPTION

DIMENSIONS (Metric-millimetre-mm)
UNLESS OTHERWISE SPECIFIED
ALL SURFACES TO
UNLESS OTHERWISE NOTED

X.X 0.1
X.XX 0.05

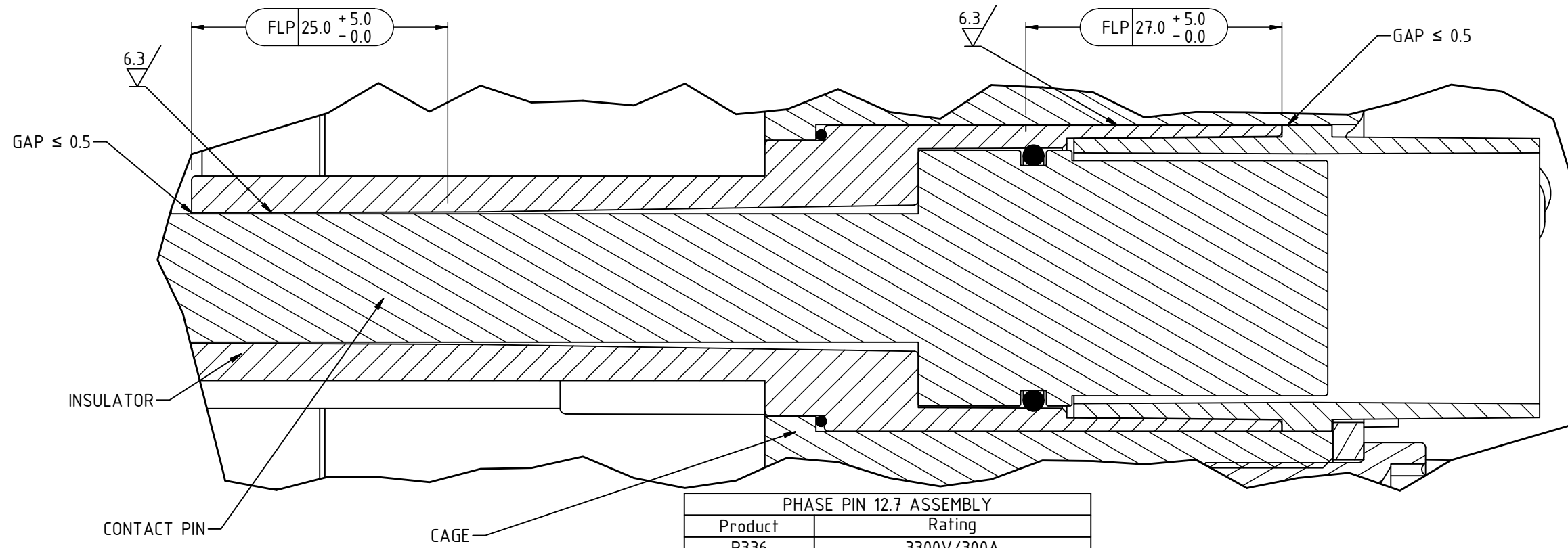


This drawing forms part of the documentation for
Certification: IECEx SIM 20.0009X Issue: 0
Alterations not authorised by Simtars may invalidate this certification.

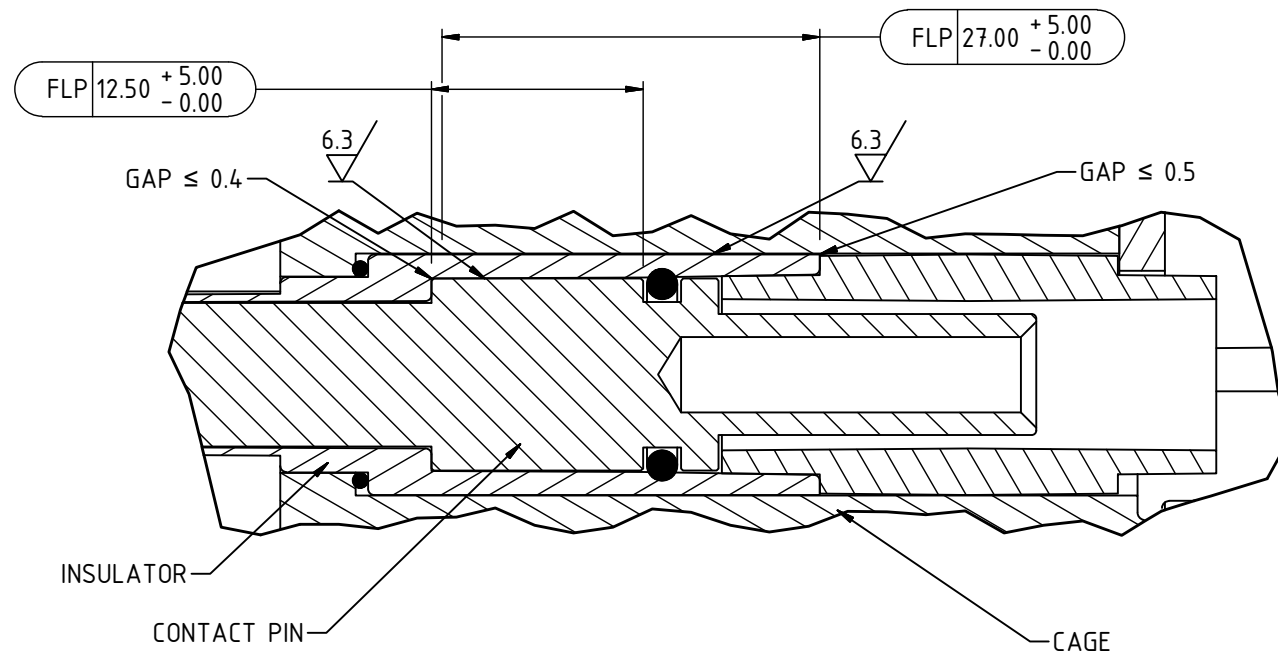
Ex

RECEPTACLE CONTACT/INSULATOR/6-PIN CAGE ASSEMBLY FLAME PROOF PATHS

Ex



PHASE PIN 12.7 ASSEMBLY	
Product	Rating
R336	3300V/300A
R136	1100V/300A



PILOT PIN ASSEMBLY	
Product	Rating
R336	3300V/300A
R136	1100V/300A
R346	3300V/425A
R146	1100V/425A

This drawing forms part of the documentation for
Certification: IECEx SIM 20.0009X Issue: 0
Alterations not authorised by Simtars may invalidate this certification.

AUSPROOF PTY LTD	
© COPYRIGHT RESERVED	
DIMENSIONS (Metric-millimetre-mm) UNLESS OTHERWISE SPECIFIED ALL SURFACES TO UNLESS OTHERWISE NOTED	X.X 0.1 X.XX 0.05

DRAWN BY G.Coumessos APPROVED BY C.Taylor SIZE A3	DRAWING NUMBER ExRPR300M2-C1105
---	---

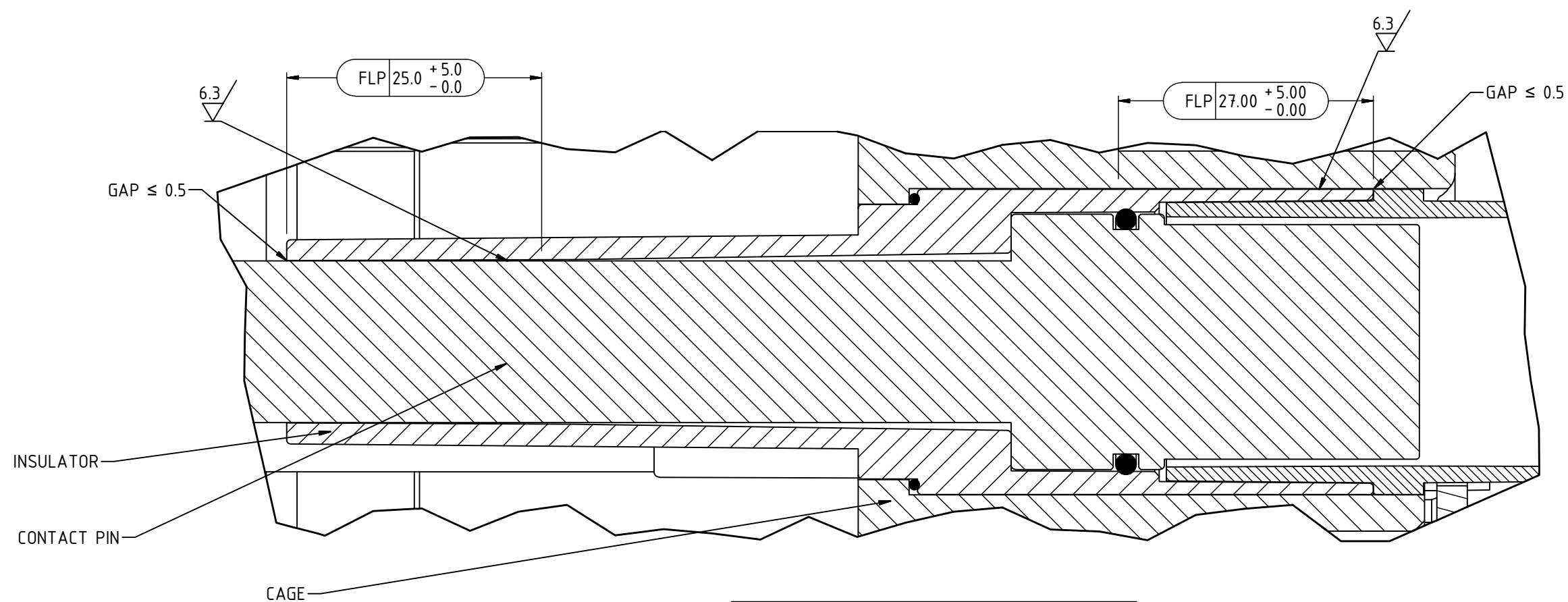
PRODUCT NAME 300 FLAME PATH SPECIFICATIONS CUSTOMER COPY	REVISION NUMBER 1 REVISION DATE 07/10/2020 REVISION BY D.Jensen
--	---

Updated to IECEx Standards	REVISION DESCRIPTION
----------------------------	----------------------

Ex

RECEPTACLE CONTACT/INSULATOR/6-PIN CAGE ASSEMBLY FLAME PROOF PATHS

Ex

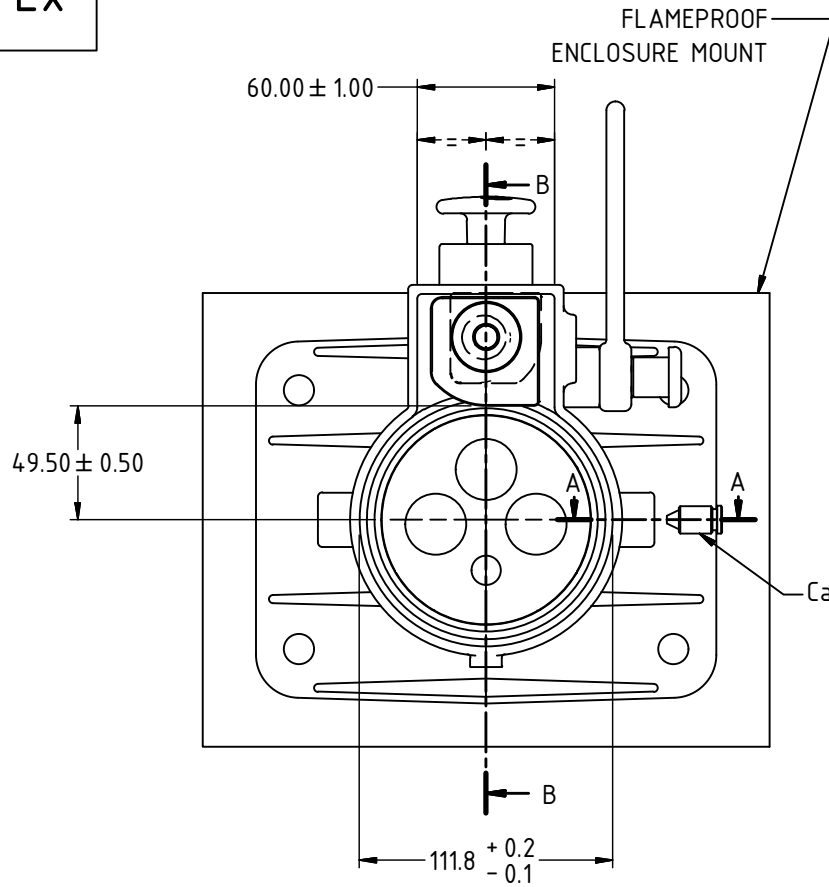


PHASE PIN 16 ASSEMBLY	
Product	Rating
R346	3300V/425A
R146	1100V/425A

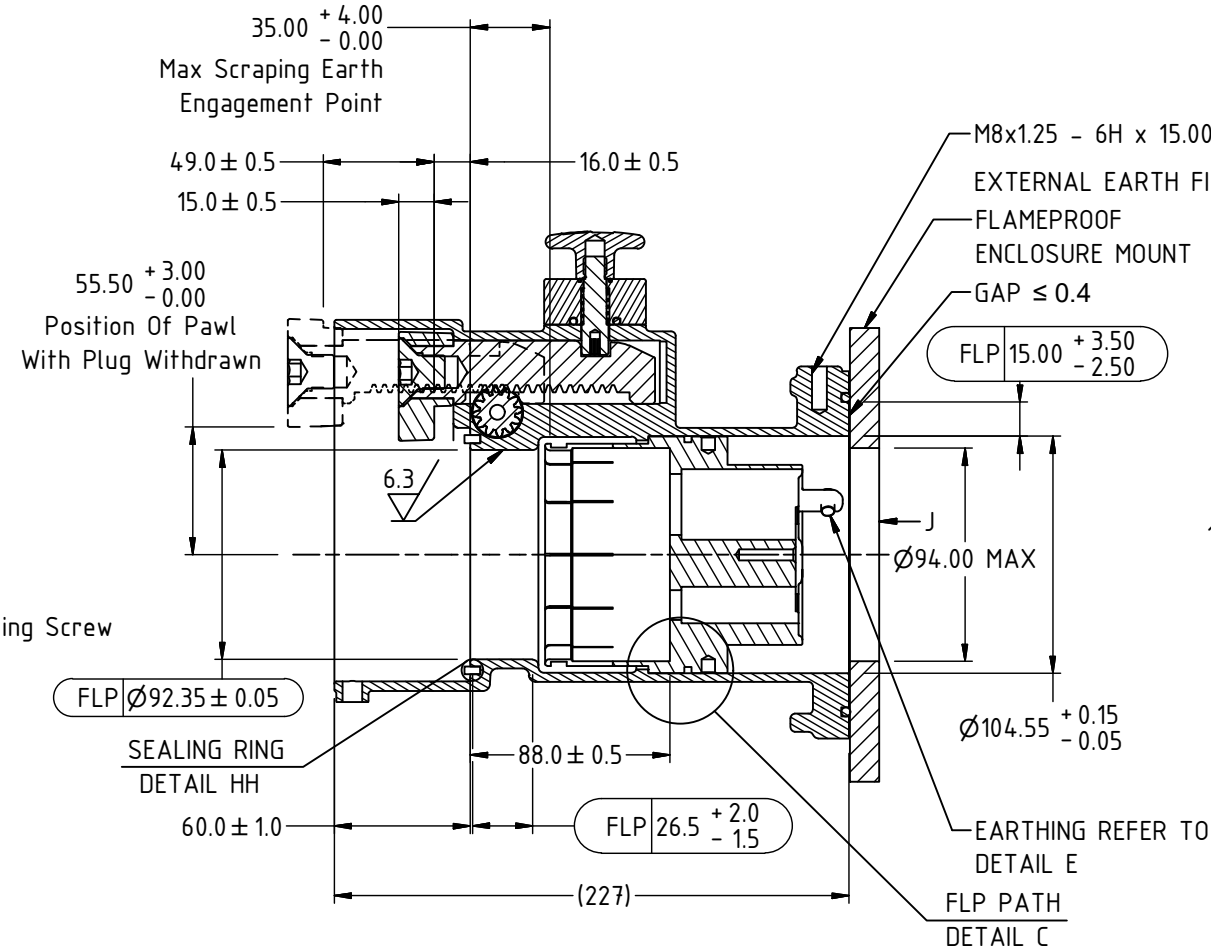
This drawing forms part of the documentation for
 Certification: IECEx SIM 20.0009X Issue: 0
 Alterations not authorised by Simtars may invalidate this certification.

AUSPROOF PTY LTD		DRAWN BY G.Coumessos		DRAWING NUMBER ExRPR300M2-C1106		PRODUCT NAME 300 FLAME PATH SPECIFICATIONS CUSTOMER COPY		1		07/10/2020		D.Jensen		Updated to IECEx Standards	
© COPYRIGHT RESERVED		APPROVED BY C.Taylor		SIZE A3		REVISION NUMBER		REVISION DATE		REVISION BY		REVISION DESCRIPTION			
DIMENSIONS (Metric-millimetre-mm) UNLESS OTHERWISE SPECIFIED		X.X 0.1 X.XX 0.05													
ALL SURFACES TO UNLESS OTHERWISE NOTED															

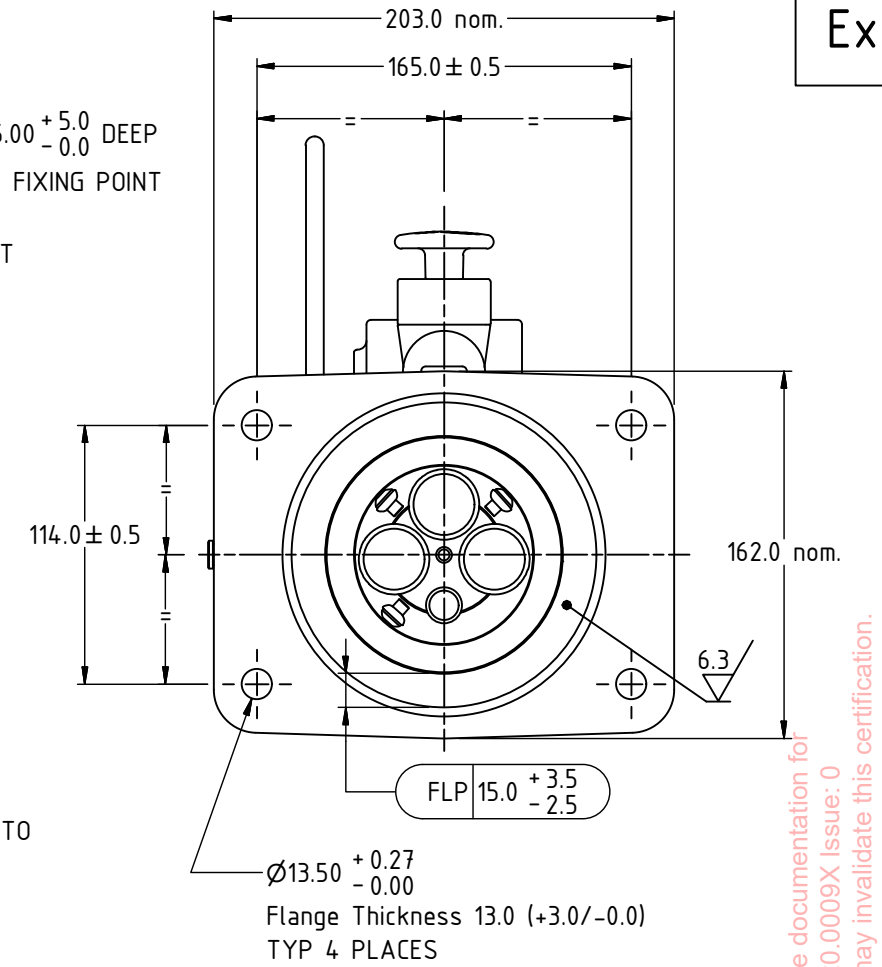
Ex



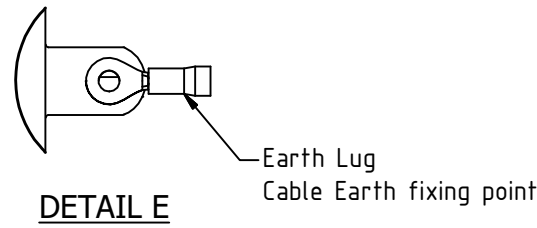
FRONT VIEW



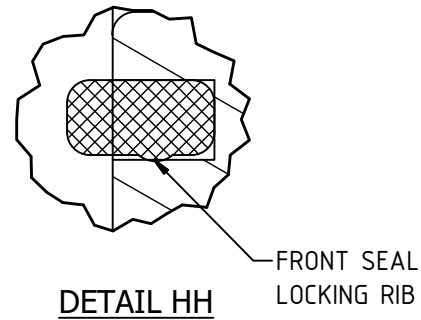
FLAMEPATH SECTION B-B
TYPICAL FOR 4 PIN AND 6 PIN MODELS



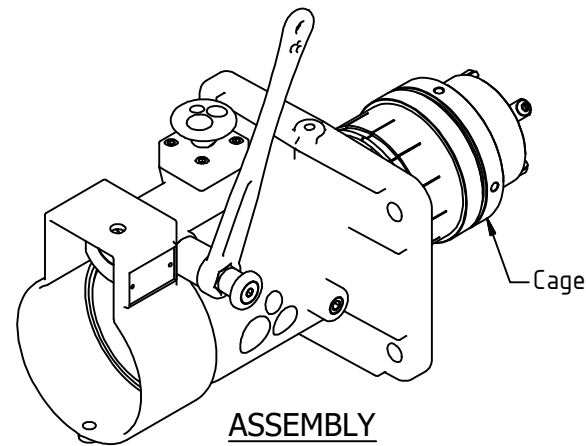
REAR FLANGE FLAMEPATH DETAIL J



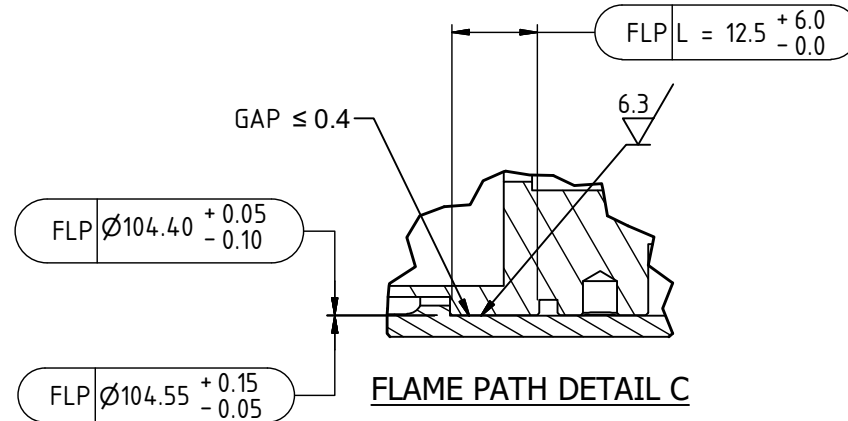
DETAIL E



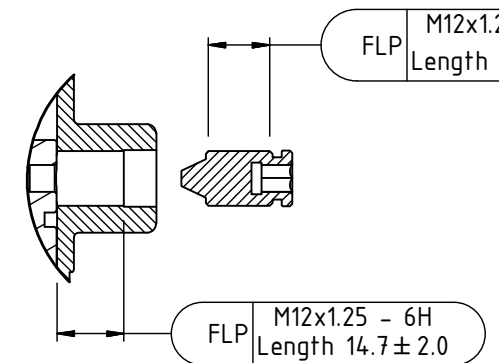
DETAIL HH



ASSEMBLY



FLAME PATH DETAIL C



CAGE LOCKING SCREW
FLAME PATH SECTION A-A

Ex

This drawing forms part of the documentation for Certification: IECEx SIM 20.0009X Issue: 0 Alterations not authorised by Simtars may invalidate this certification.

AUSPROOF PTY LTD

© COPYRIGHT RESERVED

DRAWN BY

G.Coumossos

APPROVED BY

C.Taylor

SIZE

A3

DRAWING NUMBER

ExRPR300M2-C1107

PRODUCT NAME

Common QR 300 Receptacle Body
CUSTOMER COPY

1

REVISION NUMBER

07/10/2020

REVISION DATE

D.Jensen

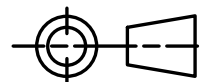
REVISION BY

Updated to IECEx Standards

REVISION DESCRIPTION

DIMENSIONS (Metric-millimetre-mm)
UNLESS OTHERWISE SPECIFIED

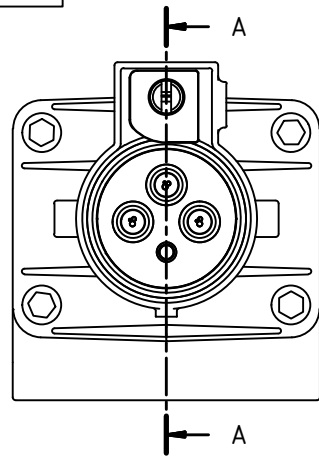
X.X 0.1
X.XX 0.05



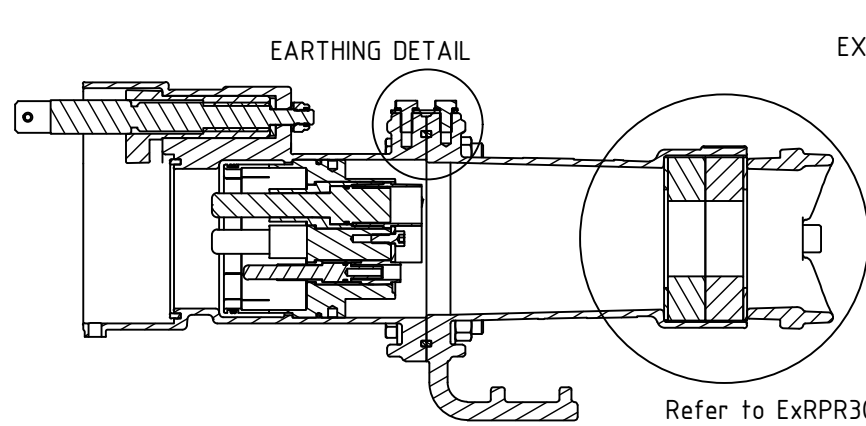
ALL SURFACES TO
UNLESS OTHERWISE NOTED

Ex

Ex



FRONT VIEW



RECEPTACLE/GLAND ASSEMBLY
FLAMEPROOF PATH
SECTION A-A

Refer to ExRPR300M2-C1303

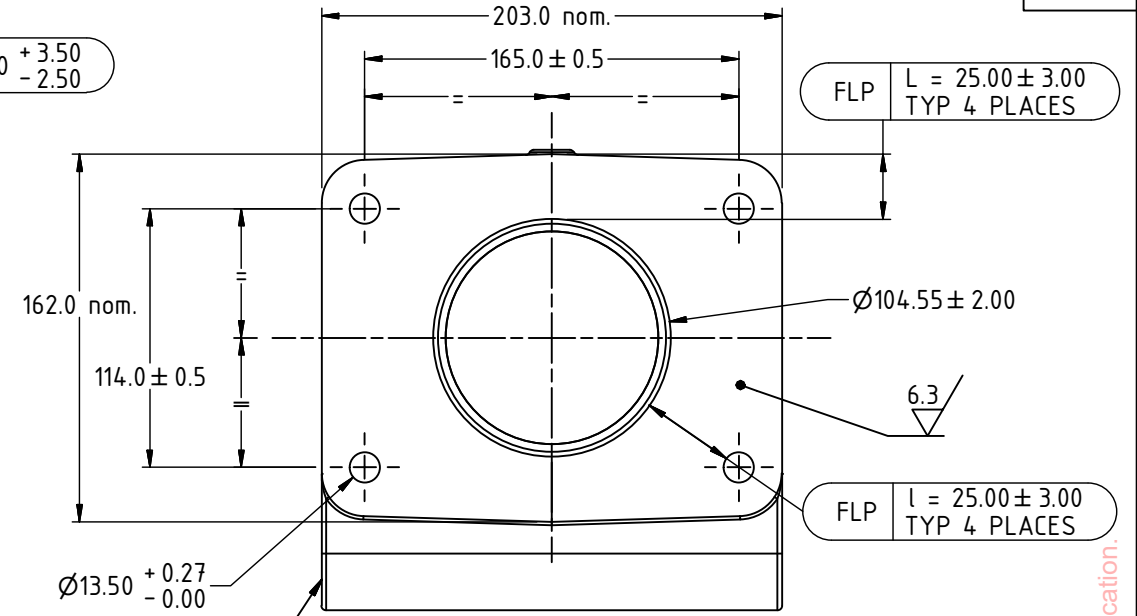
M8x1.25 - 6H x 16.00 DEEP
EXTERNAL EARTH FIXING POINT

BRASS EXTERNAL
EARTH STRAP

GAP ≤ 0.4

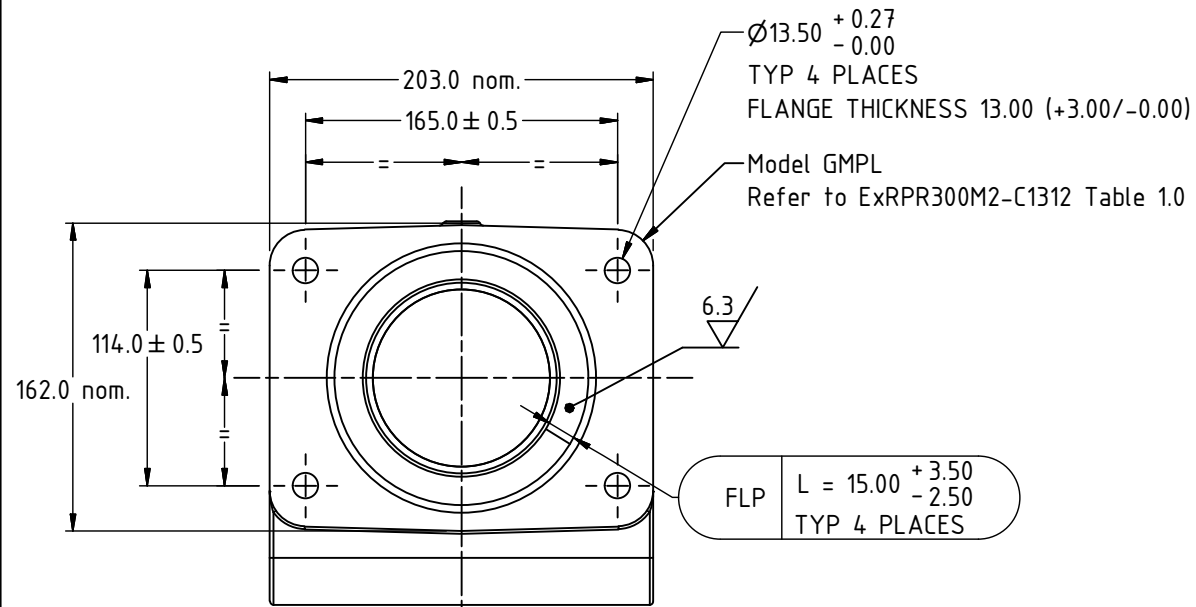
EARTHING DETAIL

FLP L = 15.00 +3.50
-2.50



GLAND BRACKET
REAR FLANGE
NO O-RING
FLAME PROOF DETAILS

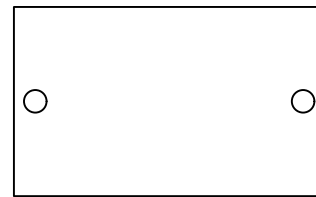
Model GBPL
Refer to ExRPR300M2-C1312 Table 1.0



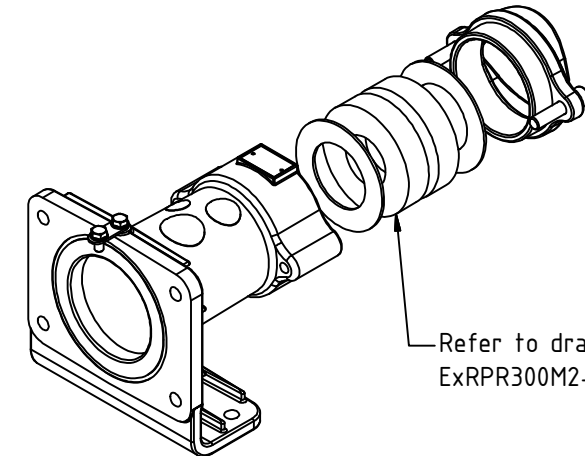
GLAND MOUNT
REAR FLANGE WITH O-RING
FOR OPTIONAL MOUNTING
FLAME PROOF DETAILS

FLP L = 15.00 +3.50
-2.50
TYP 4 PLACES

Model GMPL
Refer to ExRPR300M2-C1312 Table 1.0



GLAND BRACKET / GLAND MOUNT
PRODUCT DATA LABEL
Refer to ExRPR300M2-C1312 Table 1.0



ASSEMBLY

Refer to drawings for Gland details:
ExRPR300M2-C1303

This drawing forms part of the documentation for
Certification: IECEx SIM 20.0009X Issue: 1
Certification: ANZEx 16.2005X Issue: 6
Alterations not authorised by Simtars may invalidate this certification.

AUSPROOF PTY LTD

© COPYRIGHT RESERVED

DRAWN BY

G.Coumossos

APPROVED BY

C.Taylor

SIZE

A3

DRAWING NUMBER

ExRPR300M2-C1108

PRODUCT NAME

Common 300 Gland Bracket
CUSTOMER COPY

2

REVISION NUMBER

08/01/2025

REVISION DATE

D.Jensen

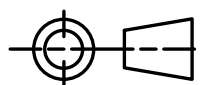
REVISION BY

Refer to drawings for Gland details: ExRPR300M2-C1303

REVISION DESCRIPTION

DIMENSIONS (Metric-millimetre-mm)
UNLESS OTHERWISE SPECIFIED

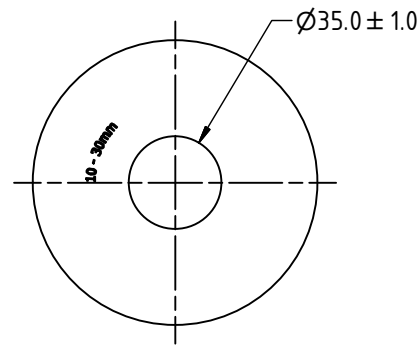
X.X 0.1
X.XX 0.05



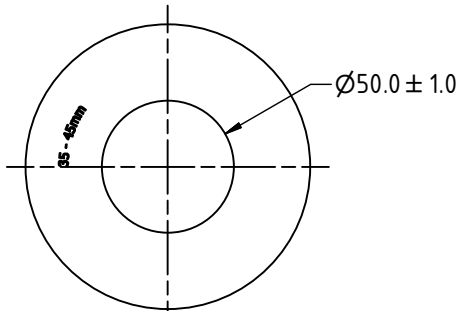
ALL SURFACES TO
UNLESS OTHERWISE NOTED

Ex

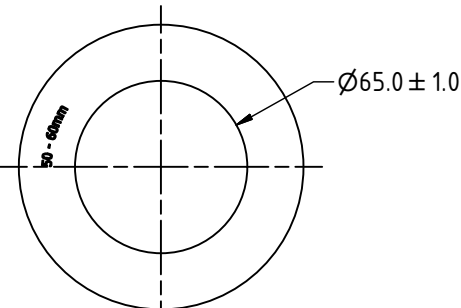
Ex



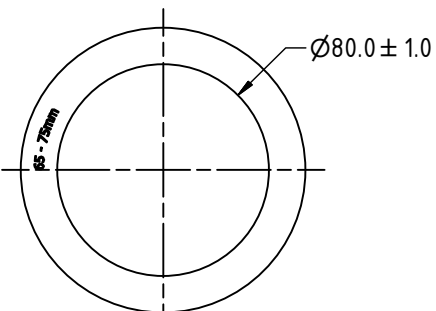
CABLE COMPRESSION WASHER



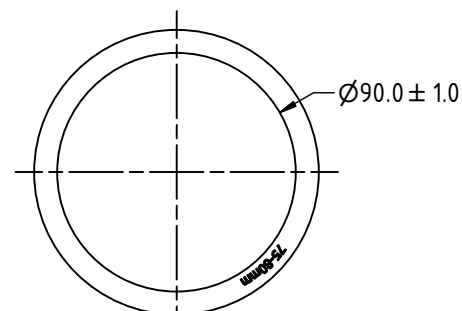
CABLE COMPRESSION WASHER



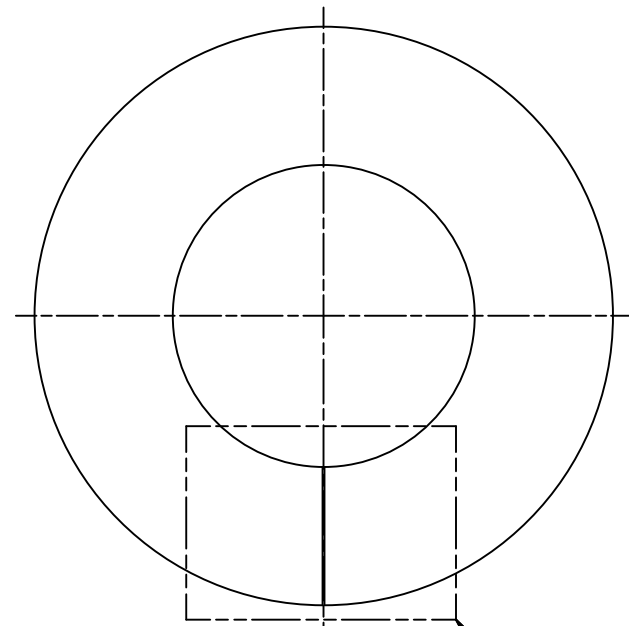
CABLE COMPRESSION WASHER



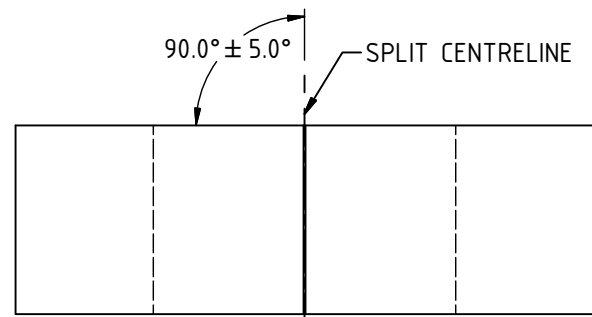
CABLE COMPRESSION WASHER



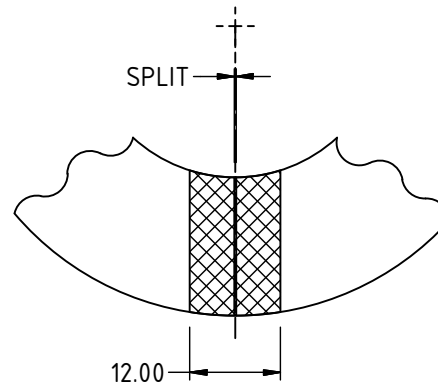
CABLE COMPRESSION WASHER



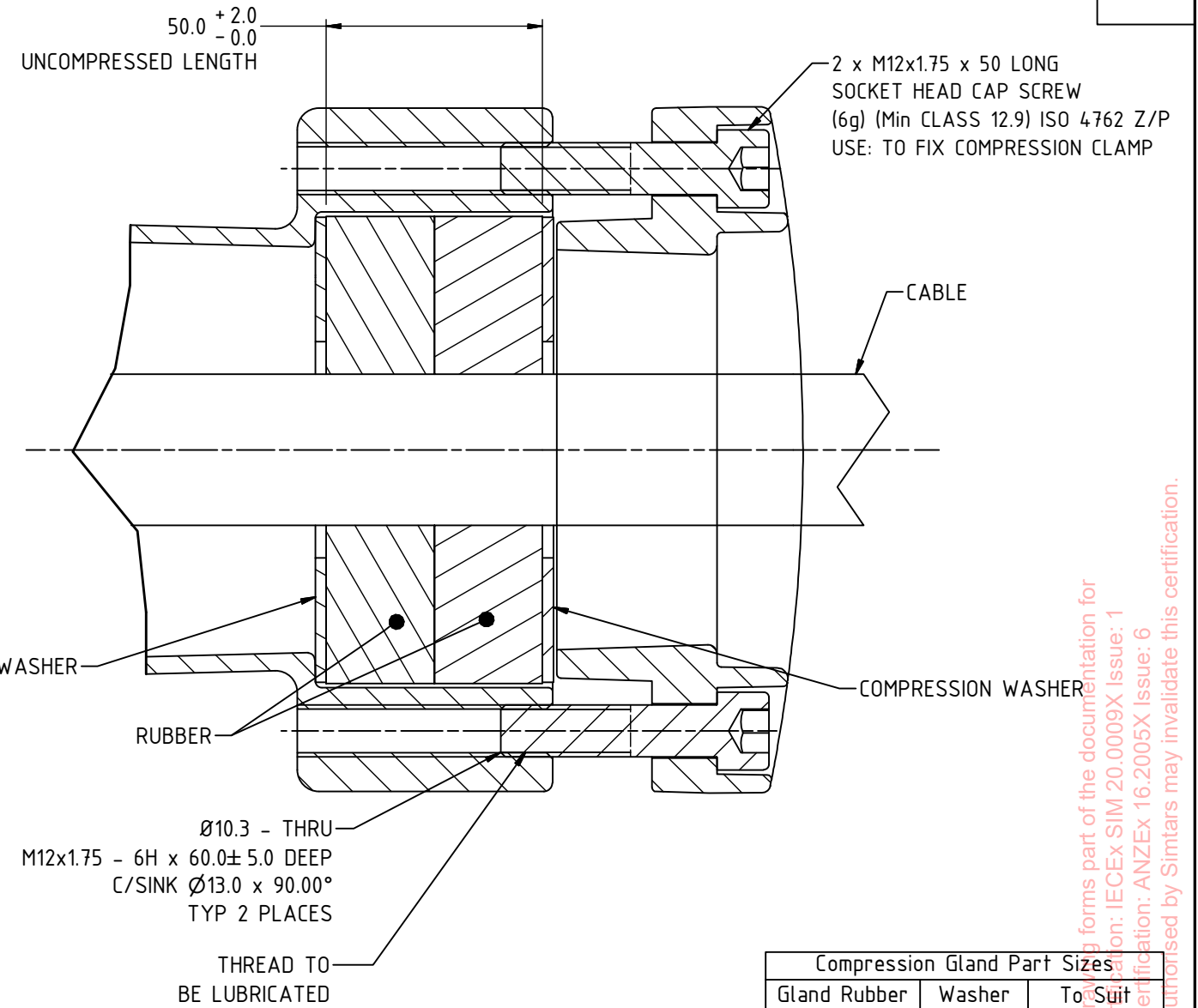
TOP VIEW
COMPRESSION GLAND RUBBER



SIDE VIEW
COMPRESSION GLAND RUBBER



SPLIT IN RUBBER MUST BE CONTAINED WITH IN THE HATCHED AREA
TYPICAL ALL COMPRESSION GLAND RUBBER SIZES



CABLE ENTRY DETAIL

Compression Gland Part Sizes		
Gland Rubber I.D. (± 1.0)	Washer I.D. (±1.0)	To Suit Cable O.D.
15	35	10 - 15
20	35	15 - 20
25	35	20 - 25
30	35	25 - 30
35	50	30 - 35
40	50	35 - 40
45	50	40 - 45
50	65	45 - 50
55	65	50 - 55
60	65	55 - 60
65	80	60 - 65
70	80	65 - 70
75	80	70 - 75
80	90	75 - 80

Note:
Rubber compression gland to be torqued to 25Nm

THREAD CLASS TO ISO 965
COARSE THREAD PITCH TO ISO 262

AUSPROOF PTY LTD
© COPYRIGHT RESERVED

DIMENSIONS (Metric-millimetre-mm)
UNLESS OTHERWISE SPECIFIED

ALL SURFACES TO UNLESS OTHERWISE NOTED

X.X 0.1
X.XX 0.05

DRAWN BY
G.Coumossos

APPROVED BY
C.Taylor

SIZE
A3

DRAWING NUMBER
ExRPR300M2-C1303

PRODUCT NAME
Common 300 Plug Cable
Clamp Assembly
CUSTOMER COPY

3	12/12/2024	D.MINENKO
REVISION NUMBER	REVISION DATE	REVISION BY

ADDED BOLT HEAD PROTECTION

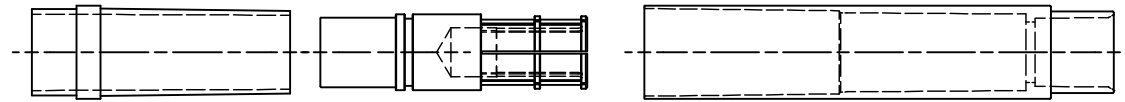
REVISION DESCRIPTION

This document forms part of the documentation for the product. For more information: IECEx SIM 20.0009X Issue: 1
Certification: ANZEX 16.2005X Issue: 6
Alterations not authorised by Simtars may invalidate this certification.

Ex

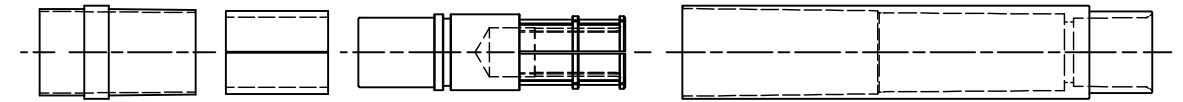
16-120mm² Cable

Use 16-120 Phase Insulator Cap for:
Models: P634, P644, P134, P144



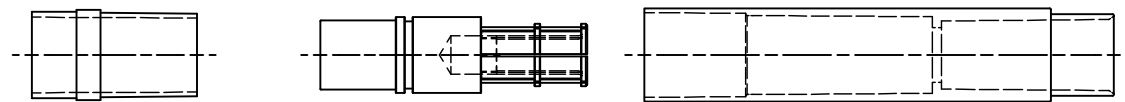
150-185mm² Cable

Use 150-185 Phase Insulator Cap and Split Ring for:
Models: P634, P644, P134, P144



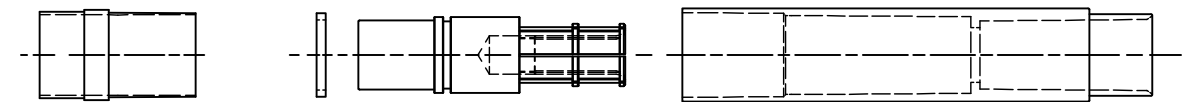
16-120mm² Cable

Use 16-120 Phase Insulator Cap for:
Models: P136, P146, P334, P336, P344, P346



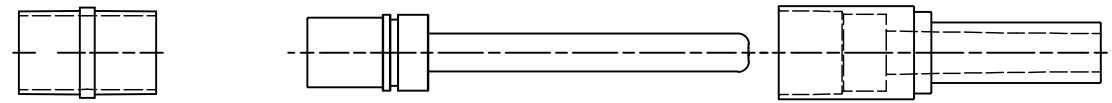
150-185mm² Cable

Use 150-185 Phase Insulator Cap and Split Ring for:
Models: P136, P146, P334, P336, P344, P346



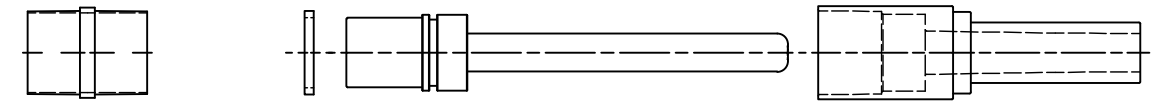
16-120mm² Cable

Use 16-120 Phase Insulator Cap for:
Models: R634, R644, R134, R136, R144, R146, R334, R336, R344, R346

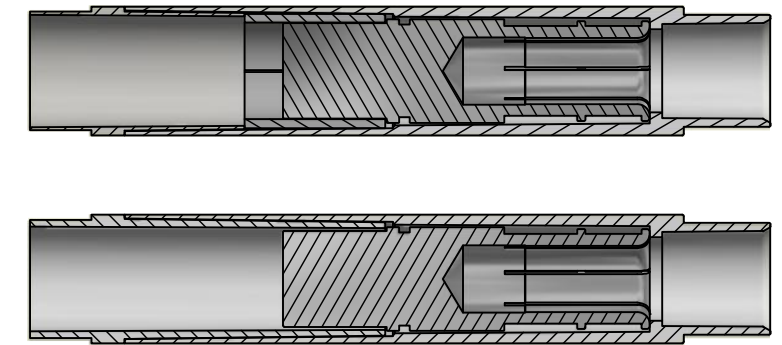
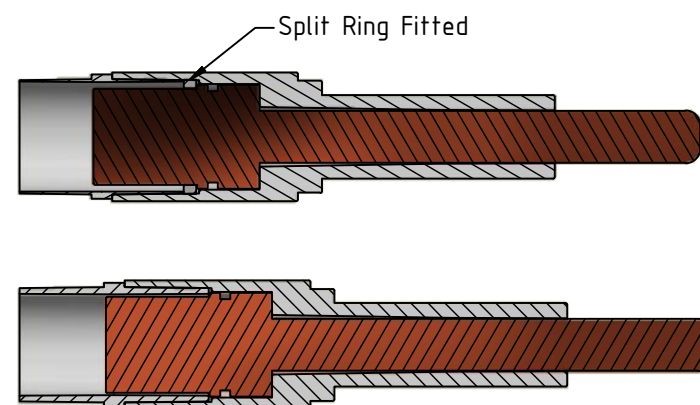
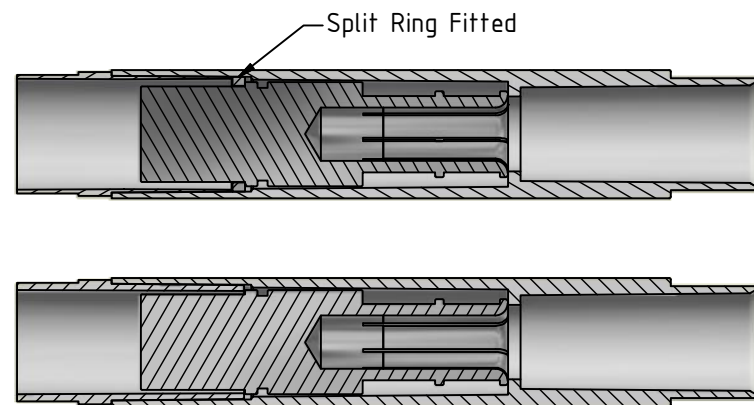


150-185mm² Cable

Use 150-185 Phase Insulator Cap and Split Ring for:
Models: R634, R644, R134, R136, R144, R146, R334, R336, R344, R346



EXPLODED VIEWS



ASSEMBLIES FOR VISUAL REFERENCE ONLY

AUSPROOF PTY LTD

© COPYRIGHT RESERVED

DRAWN BY

G.Coumossos

APPROVED BY

C.Taylor

SIZE

A3

DRAWING NUMBER

ExRPR300M2-C1306

PRODUCT NAME

16-150mm² & 185mm²
PHASE INSULATOR ASSEMBLY
CUSTOMER COPY

1

REVISION NUMBER

07/10/2020

REVISION DATE

D.Jensen

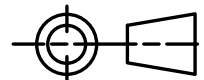
REVISION BY

Updated to IECEx Standards

REVISION DESCRIPTION

DIMENSIONS (Metric-millimetre-mm)
UNLESS OTHERWISE SPECIFIED
ALL SURFACES TO
UNLESS OTHERWISE NOTED

X.X 0.1
X.XX 0.05



This drawing forms part of the documentation for
Certification: IECEx SIM 20.0009X Issue: 0
Alterations not authorised by Simtars may invalidate this certification.

Ex

Ex

FASTENER SCHEDULE

3 x M6x1.0 x 8 LONG Z/P BUTTON HEAD SOCKET CAP SCREWS (Class 12.9) (6g) ISO 7380
 AND 3 x M6 S/S BELLEVILLE LOCK WASHERS
 USE: EARTH FIXING SCREWS FOR PLUG CAGE BACK

1 x M6x1.0 x 100 LONG Z/P SOCKET HEAD CAP SCREW (Class12.9) (6g) ISO 4762
 USE: TO FIX PLUG FRONT CAGE AND BACK CAGE TOGETHER

1 x M3x0.5 x 4 LONG S/S SOCKET HEAD CAP SCREW (700 MPa) (6g) ISO 4762
 USE: FOR LOCATION LUG INSIDE PLUG

2 x M12x1.75 x 50 LONG Z/P SOCKET HEAD CAP SCREWS (Class 12.9) (6g) ISO 4762
 USE: TO FIX COMPRESSION CLAMP

1 x M10x1.5 Z/P NYLOC NUT (Class 8) (6H) ISO 7040
 AND 1 x M10 Z/P WASHER (Class 8) (200 HV) ISO 7089
 USE: TO FIX PAWL SCREW INTO SOCKET BODY

1 x M6x1.0 x 16 LONG Z/P SOCKET HEAD CAP SCREW (Class 12.9) (6g) ISO 4762
 USE: TO FIX SOCKET STAR RETAINING PLATE

3 x M6x1.0 x 8 LONG Z/P BUTTON HEAD SOCKET CAP SCREWS (Class 12.9) (6g) ISO 7380
 AND 3 x M6 S/S BELLEVILLE LOCK WASHERS
 USE: EARTH FIXING SCREWS FOR SOCKET CAGE

4 x 4GAUGE x 1/4" Z/P HAMMER DRIVE
 USE: FIXING LABEL TO RECEPTACLE AND PLUG

1 x M8x1.25 x 16 LONG Z/P SET SCREW (Class 8.8) (6g) ISO 4017
 AND 1 x M8 S/S BELLEVILLE LOCK WASHER
 USE: EARTH FIXING SCREW ON MAIN FLANGE

4 x M12x1.75 x 55 (MIN LENGTH) Z/P SET SCREWS (Class 4.6) (6g) ISO 4017
 WITH 4 x M12x1.75 Z/P NUTS (Class 8) (6H) ISO 4032
 AND 8 x M12 Z/P WASHERS (Class 8) (200 HV) ISO 7089
 OPTIONAL M12 x 1.75 HARDWARE MAY BE USED MUST HAVE A MINIMUM YIELD STRESS OF 240MPa
 USE: TO FIX GLAND BRACKET TO RECEPTACLE

FIXING RECEPTACLE TO Ex d ENCLOSURE: PROPERTY CLASS \geq 4.6*

*NOTE: SPECIFIED FASTENER PROPERTY CLASS TO BE \geq THE FASTENER PROPERTY CLASS SPECIFIED FOR THE Ex ENCLOSURE.

THREAD CLASS TO ISO 965

COARSE THREAD PITCH TO ISO 262

This drawing forms part of the documentation for
 Certification: IECEx SIM 20.0009X Issue: 0
 Alterations not authorised by Simtars may invalidate this certification.

AUSPROOF PTY LTD

© COPYRIGHT RESERVED

DRAWN BY

G.Coumessos

APPROVED BY

C.Taylor

SIZE

A3

DRAWING NUMBER

ExRPR300M2-C1309

PRODUCT NAME

FASTENER SCHEDULE
CUSTOMER COPY

1

REVISION NUMBER

07/10/2020

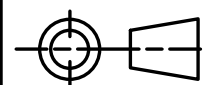
REVISION DATE

D.Jensen

REVISION BY

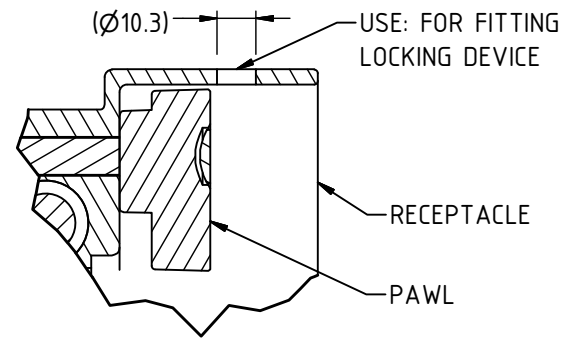
Updated to IECEx Standards

REVISION DESCRIPTION

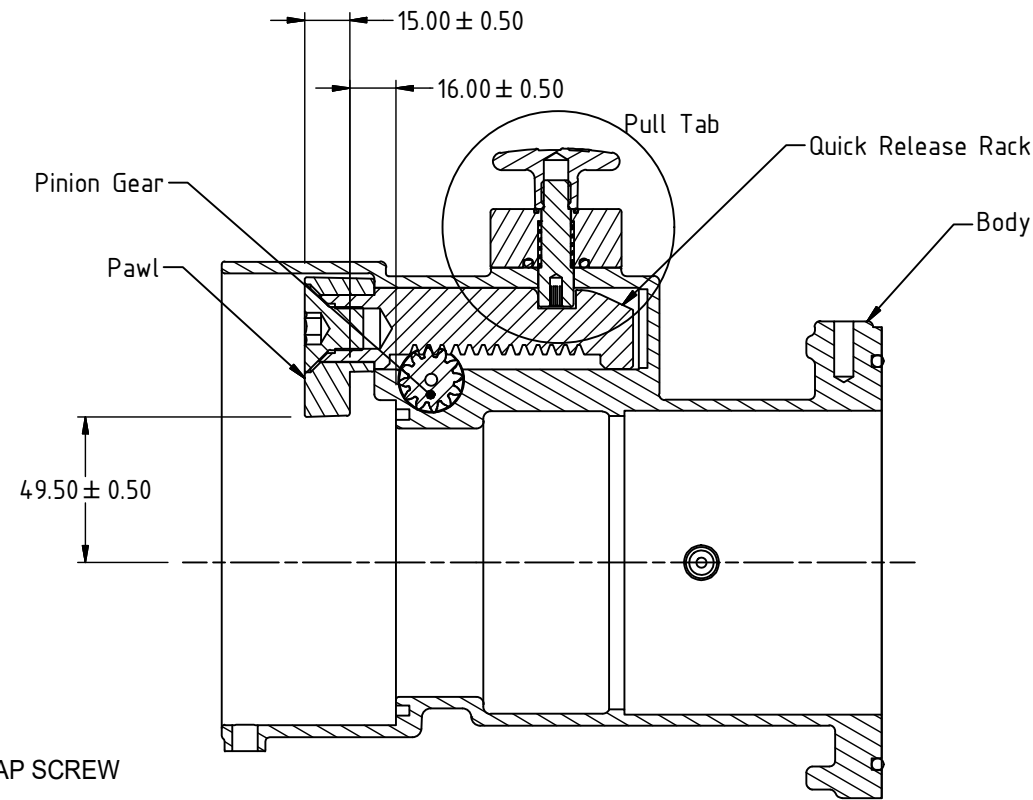
DIMENSIONS (Metric-millimetre-mm)
UNLESS OTHERWISE SPECIFIEDX.X 0.1
X.XX 0.05ALL SURFACES TO
UNLESS OTHERWISE NOTED

Ex

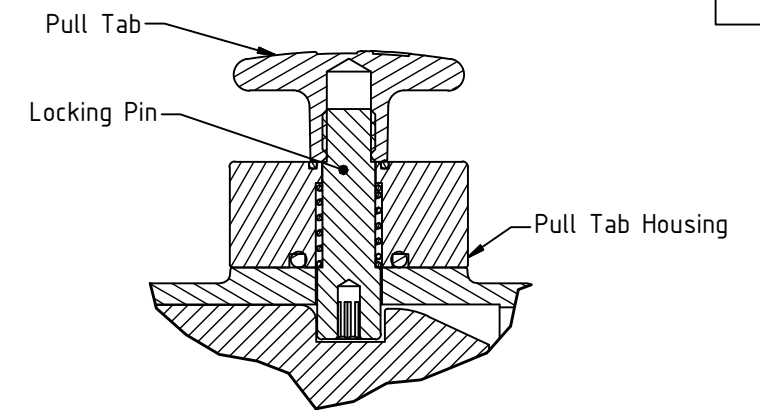
Ex



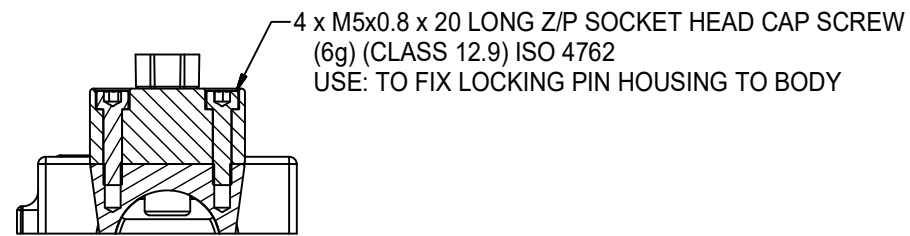
DETAIL FOR LOCKING DEVICE LOCATION



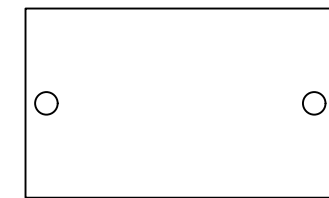
RECEPTACLE SECTION VIEW



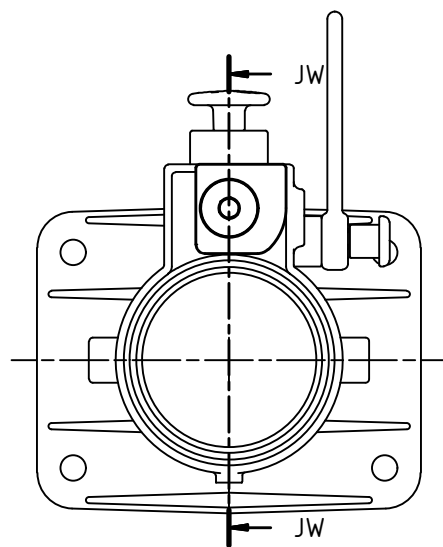
PULL TAB DETAIL



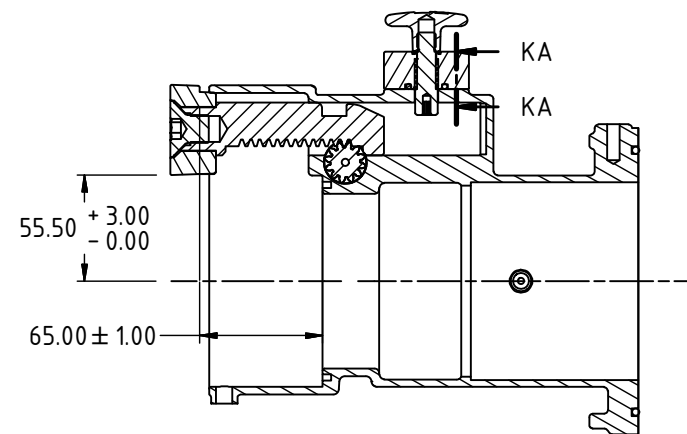
SECTION KA-KA



RECEPTACLE PRODUCT DATA LABEL
Refer to ExRPR300M2-1312 Table 2.0



PAWL WITHDRAWN



SECTION JW-JW

MODEL IDENTIFICATION CROSS REFERENCE TABLE	
QUICK RELEASE TYPE RECEPTACLE	
QRR634	
QRR644	
QRR134	
QRR136	
QRR144	
QRR146	
QRR334	
QRR336	
QRR344	
QRR346	

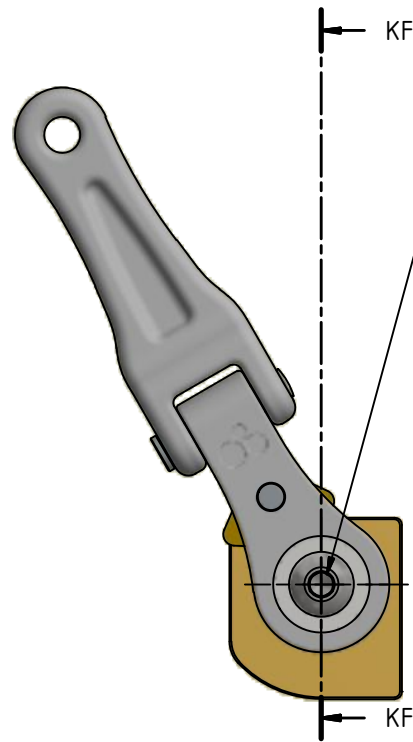
This drawing forms part of the documentation for Certification: IECEX SIM 20.0009X Issue: 0 Alterations not authorised by Simtars may invalidate this certification.

AUSPROOF PTY LTD		DRAWN BY G.Coumessos		DRAWING NUMBER ExRPR300QR-C1310		PRODUCT NAME 300 QR Receptacle Body CUSTOMER COPY		1 REVISION NUMBER		07/10/2020 REVISION DATE		D.Jensen REVISION BY		Updated to IECEX Standards REVISION DESCRIPTION	
© COPYRIGHT RESERVED		APPROVED BY C.Taylor		SIZE A3											
DIMENSIONS (Metric-millimetre-mm) UNLESS OTHERWISE SPECIFIED		X.X 0.1 X.XX 0.05		ALL SURFACES TO UNLESS OTHERWISE NOTED											

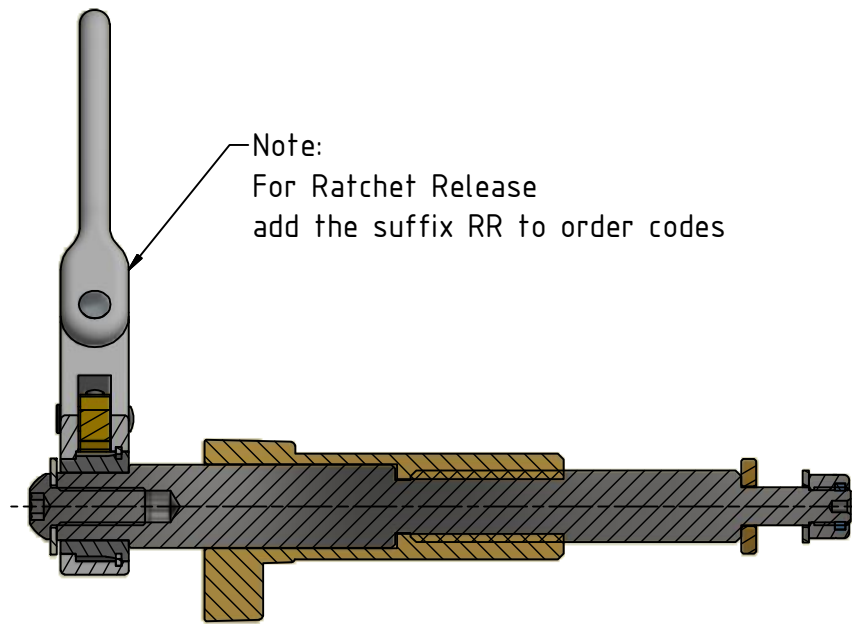
Ex

Ex

1 x M10x1.5 x 25 Z/P BHCS PN1824 (MIN Class 8.8) (6g) ISO 7380 OR A2/A4-70 STAINLESS STEEL PN10147
 AND 1 x 3/8 x 1" Z/P WASHER PN1941 (Min Class 5) (140 HV) ISO 7089 OR A2/A4-70 STAINLESS STEEL PN10152
 USE: TO FIX RATCHET RELEASE



FRONT VIEW

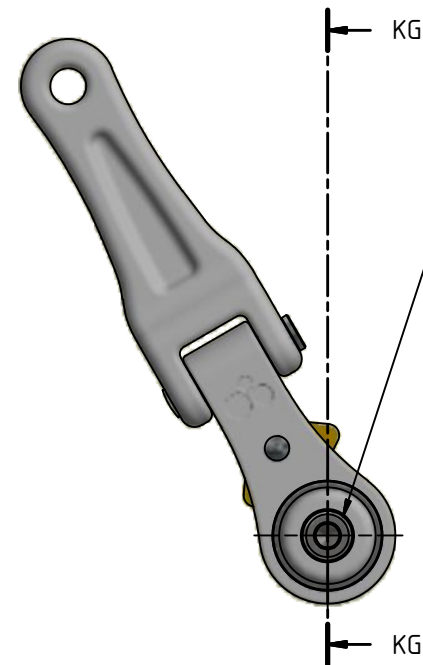


SECTION KF-KF

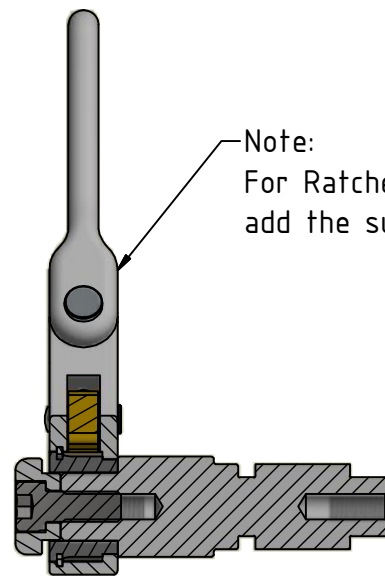
Note:
 For Ratchet Release
 add the suffix RR to order codes

MODEL IDENTIFICATION CROSS REFERENCE TABLE	
RECEPTACLE TYPE	
R634RR	
R644RR	
R134RR	
R136RR	
R144RR	
R146RR	
R334RR	
R336RR	
R344RR	
R346RR	

1 x M8x1.25 x 20 Z/P SHCS PN1077 (MIN Class 8.8) (6g) ISO 4762 OR A2/A4-70 STAINLESS STEEL PN10119
 USE: TO FIX RATCHET RELEASE



FRONT VIEW



SECTION KG-KG

Note:
 For Ratchet Release
 add the suffix RR to order codes

MODEL IDENTIFICATION CROSS REFERENCE TABLE	
QUICK RELEASE RECEPTACLE TYPE	
QRR634RR	
QRR644RR	
QRR134RR	
QRR136RR	
QRR144RR	
QRR146RR	
QRR334RR	
QRR336RR	
QRR344RR	
QRR346RR	

AUSPROOF PTY LTD

© COPYRIGHT RESERVED

DRAWN BY

C.Taylor

APPROVED BY

D.Jensen

SIZE

A3

DRAWING NUMBER

ExRPR300M2-C1313

PRODUCT NAME

Common 300 Receptacle RR
 CUSTOMER COPY

0

REVISION NUMBER

12/12/2024

REVISION DATE

C.Taylor

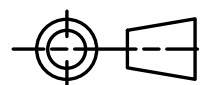
REVISION BY

FIXED FASTENER ISO

REVISION DESCRIPTION

DIMENSIONS (Metric-millimetre-mm)
 UNLESS OTHERWISE SPECIFIED
 ALL SURFACES TO
 UNLESS OTHERWISE NOTED

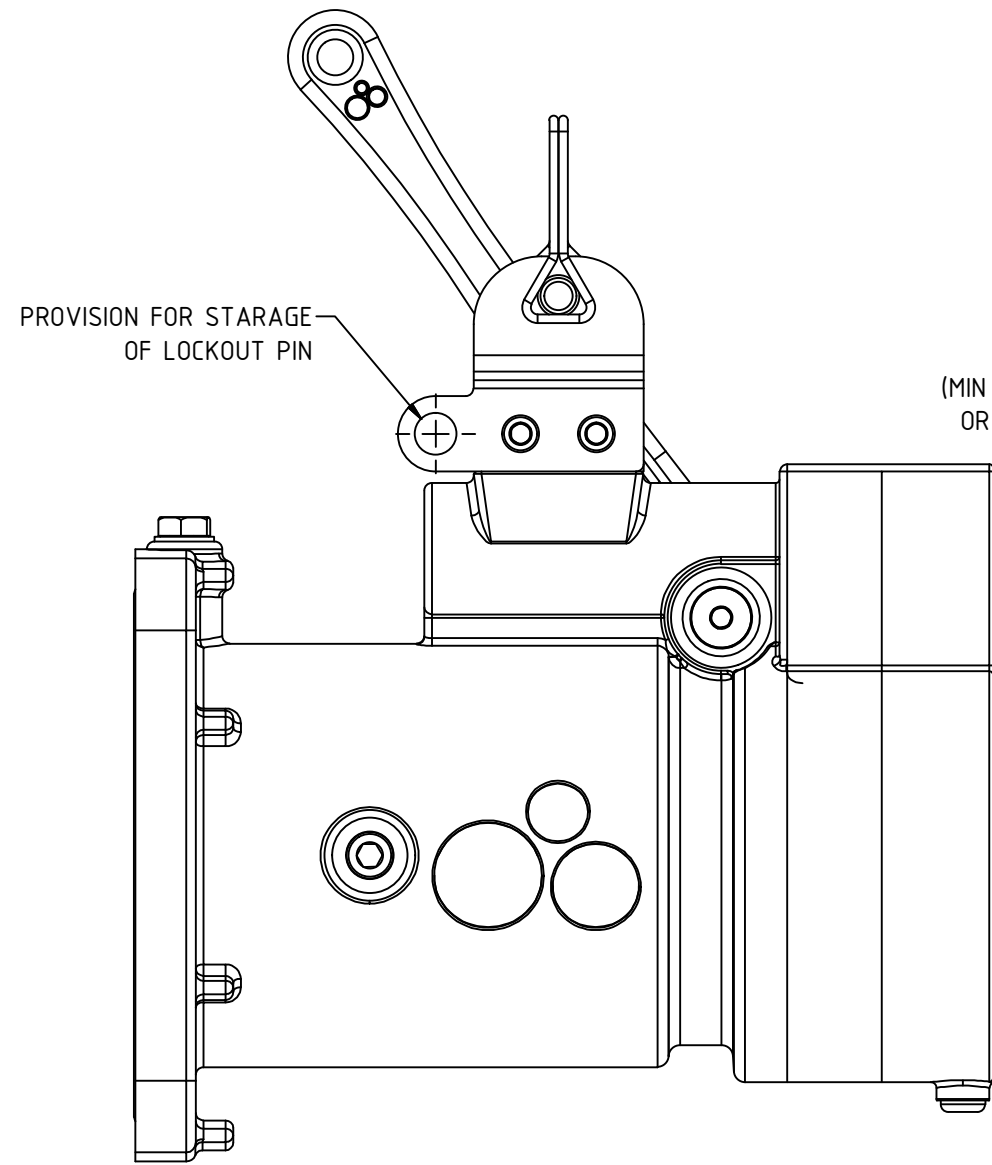
X.X 0.1
 X.XX 0.05



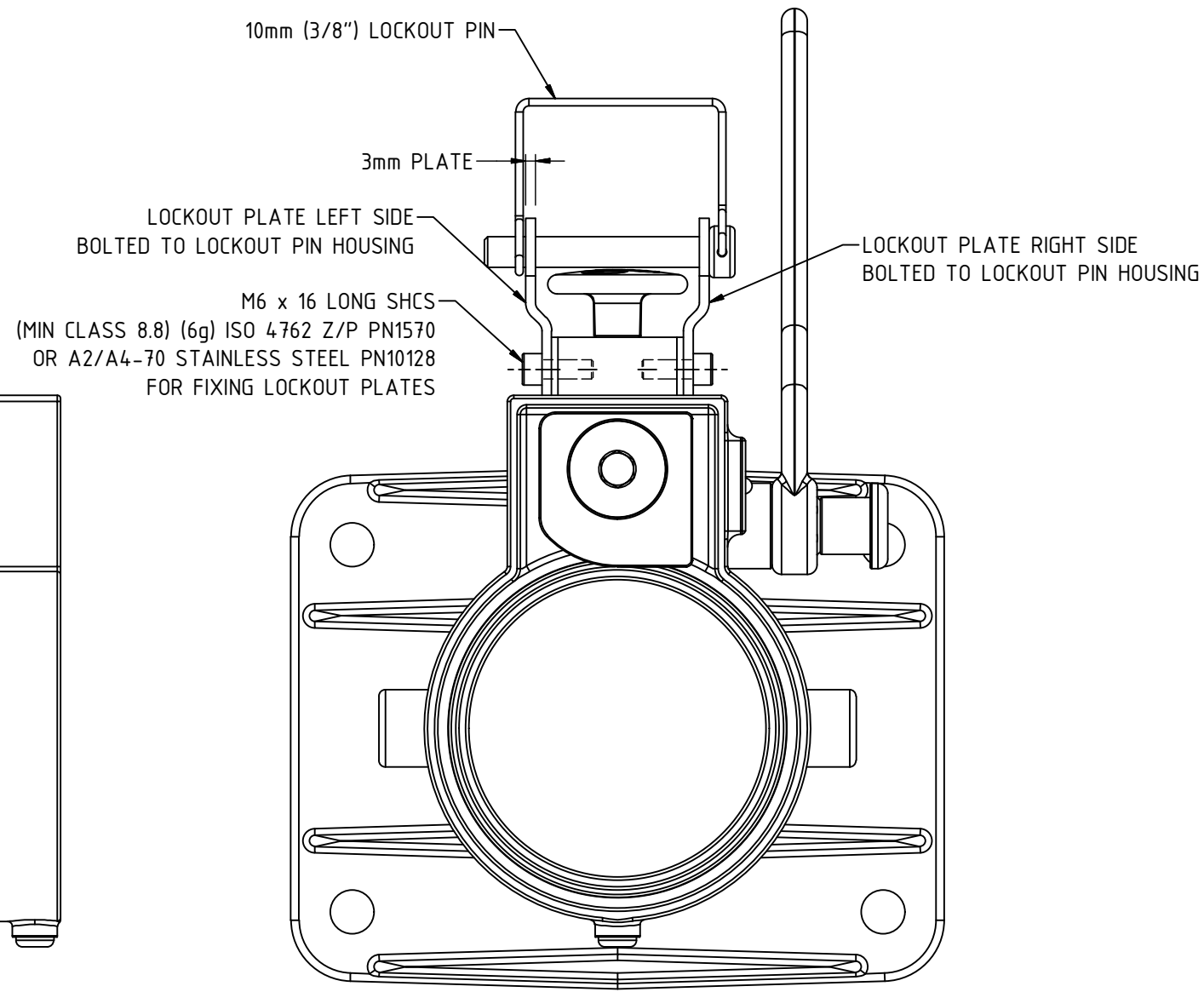
This drawing forms part of the documentation for
 Certification: IECEX SIM 20.0009X Issue: 1
 Certification: ANZEx 16.2005X Issue: 6
 Alterations not authorised by Simtars may invalidate this certification.

Ex

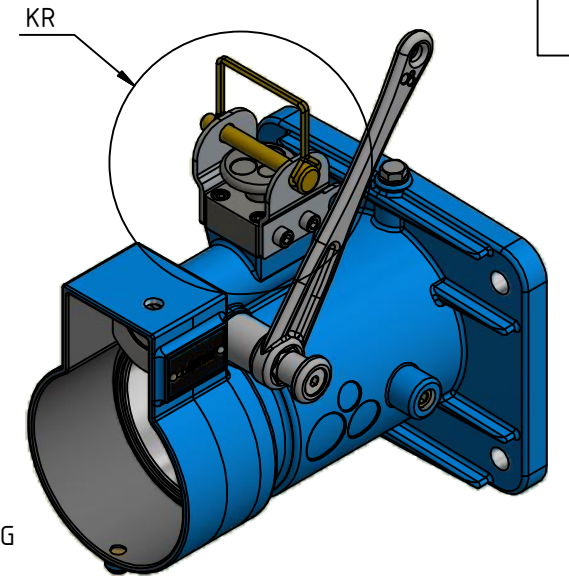
Ex



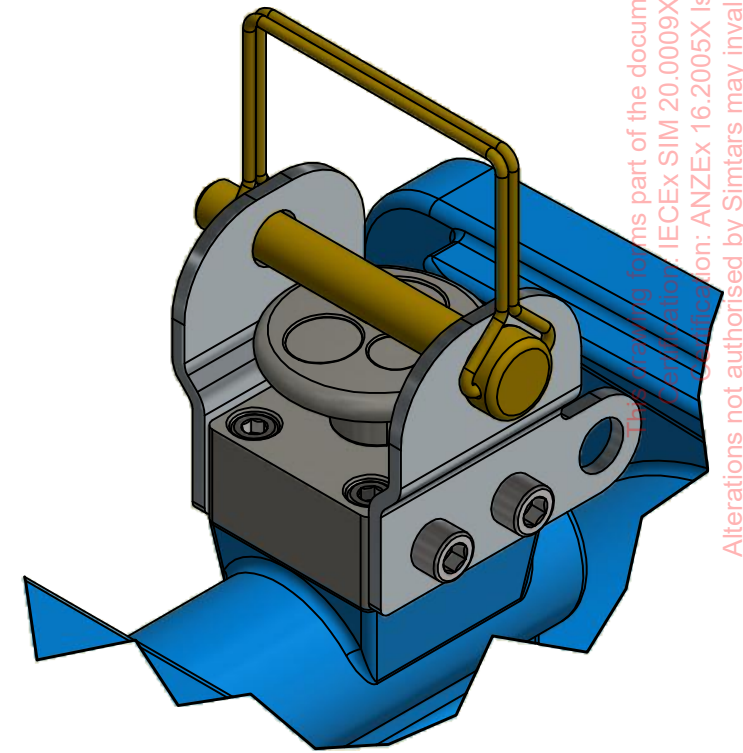
SIDE VIEW



FRONT VIEW



ISOMETRIC VIEW



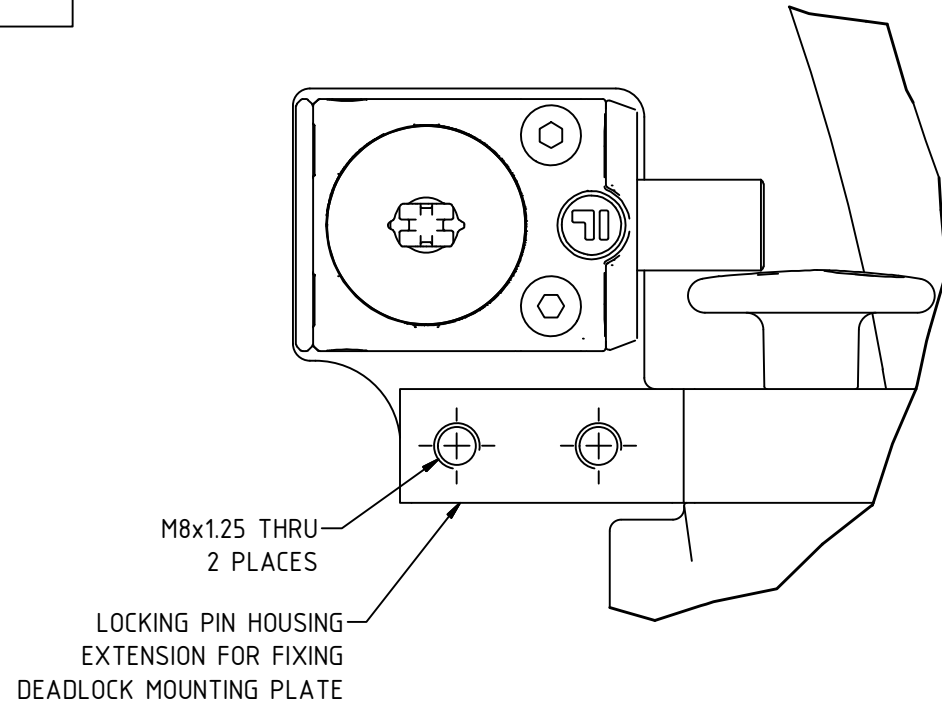
DETAIL KR
RACKING HANDLE NOT SHOWN FOR CLARITY

This drawing forms part of the documentation for IECEx SIM 20.0009X Issue: 1
Revision: ANZEx 16.2005X Issue: 6
Alterations not authorised by Simtars may invalidate this certification.

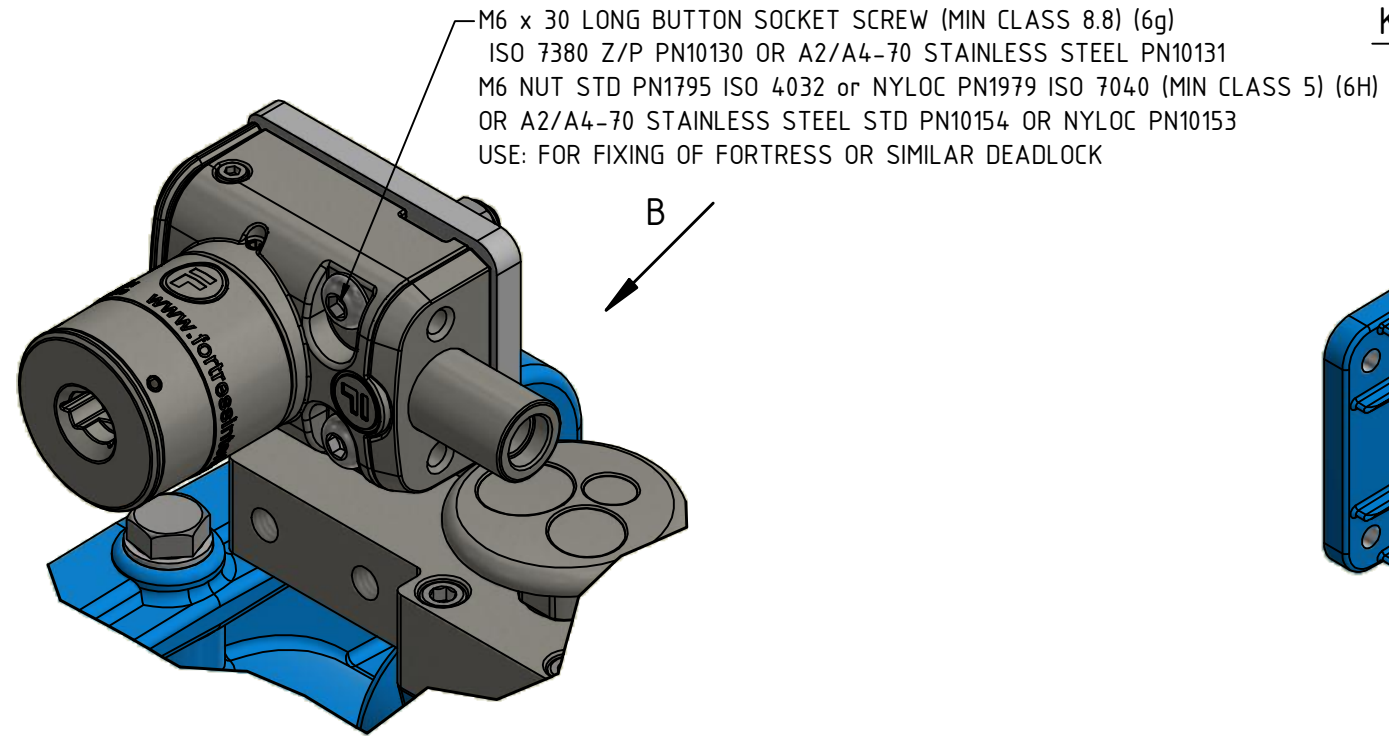
AUSPROOF PTY LTD		DRAWN BY D.Jensen		DRAWING NUMBER ExRPR300M2-C1316		PRODUCT NAME 300 Receptacle Pin Lockout CUSTOMER COPY		0		07/03/2022		D.Jensen		INITIAL RELEASE	
© COPYRIGHT RESERVED		APPROVED BY A.Castle		SIZE A3		REVISION NUMBER		REVISION DATE		REVISION BY		REVISION DESCRIPTION			
DIMENSIONS (Metric-millimetre-mm) UNLESS OTHERWISE SPECIFIED		X.X 0.1 X.XX 0.05		ALL SURFACES TO UNLESS OTHERWISE NOTED		X.XX 0.1 X.XXX 0.05		X.XX 0.1 X.XXX 0.05		X.XX 0.1 X.XXX 0.05		X.XX 0.1 X.XXX 0.05		X.XX 0.1 X.XXX 0.05	

Ex

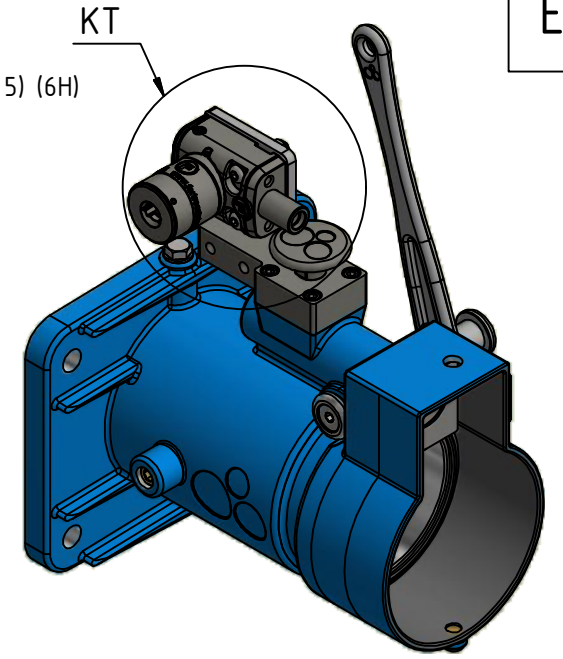
Ex



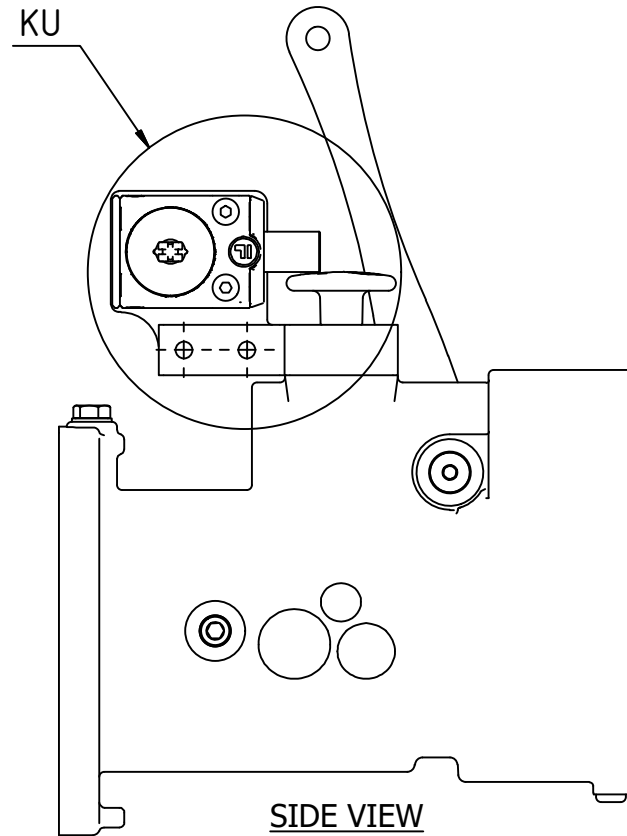
DETAIL KU



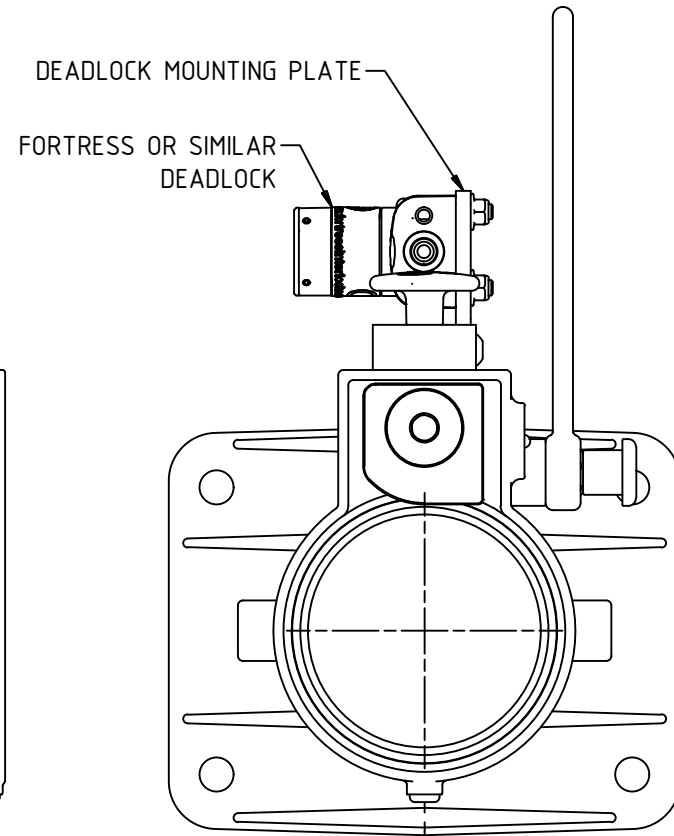
DETAIL KT



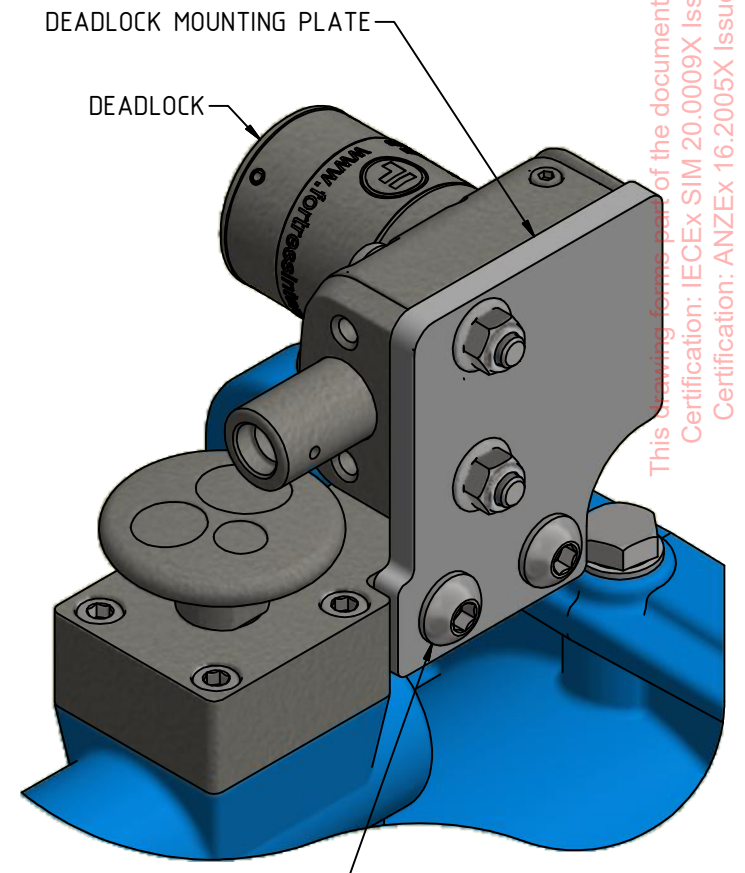
ISOMETRIC VIEW



SIDE VIEW



FRONT VIEW



VIEW FROM B

M8 x 20 LONG BUTTON SOCKET SCREW
(MIN CLASS 8.8) (6g) ISO 7380 Z/P PN1402
OR A2/A4-70 STAINLESS STEEL PN10118
USE: FOR FIXING OF LOCK MOUNTING PLATE

This drawing forms part of the documentation for
 Certification: IECEx SIM 20.0009X Issue: 1
 Certification: ANZEx 16.2005X Issue: 6
 Alterations not authorised by Simtars may invalidate this certification.

AUSPROOF PTY LTD

© COPYRIGHT RESERVED

DRAWN BY

D.Jensen

APPROVED BY

C.Taylor

SIZE

A3

DRAWING NUMBER

ExRPR300M2-C1317

PRODUCT NAME

300 Receptacle Deadlock
CUSTOMER COPY

0

REVISION NUMBER

12/12/2024

REVISION DATE

D.Jensen

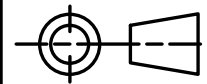
REVISION BY

INITIAL RELEASE

REVISION DESCRIPTION

DIMENSIONS (Metric-millimetre-mm)
UNLESS OTHERWISE SPECIFIED

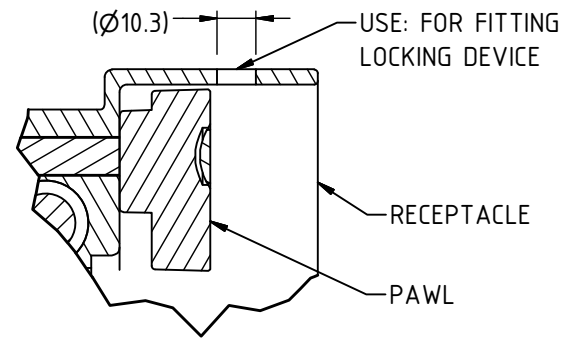
X.X 0.1
X.XX 0.05



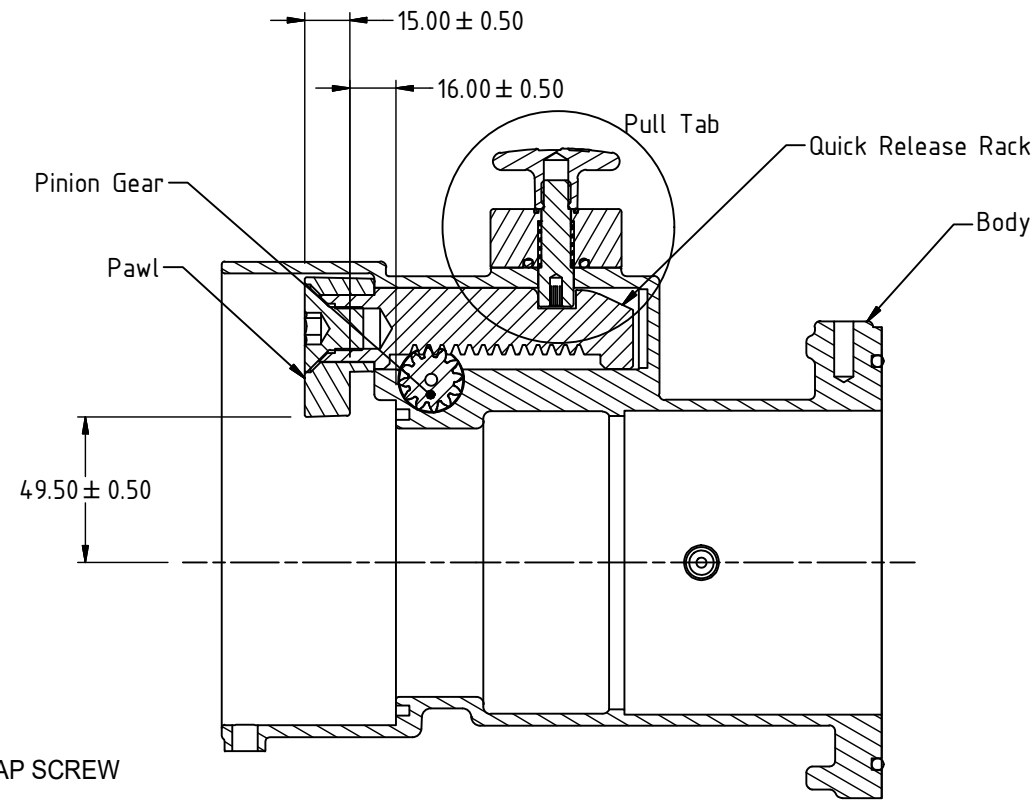
ALL SURFACES TO
UNLESS OTHERWISE NOTED

Ex

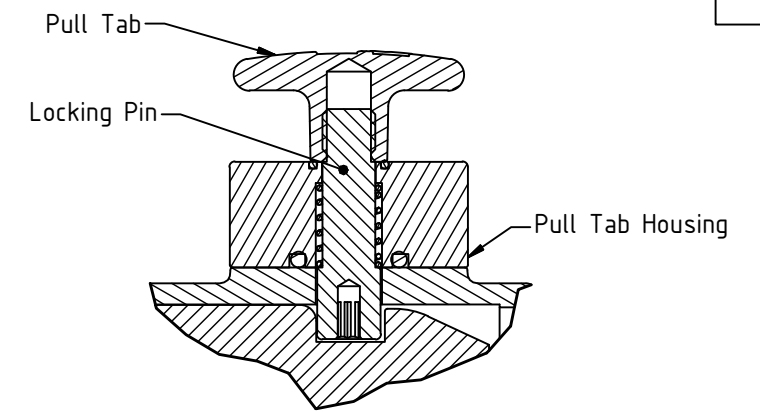
Ex



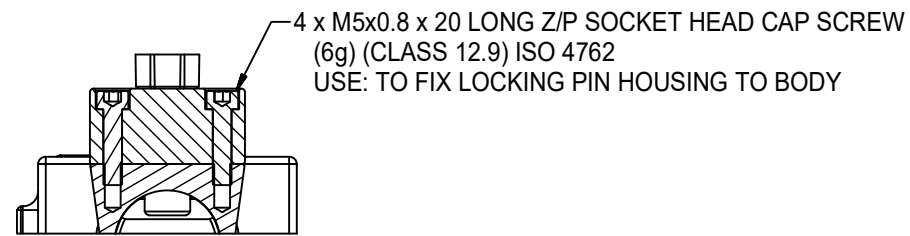
DETAIL FOR LOCKING DEVICE LOCATION



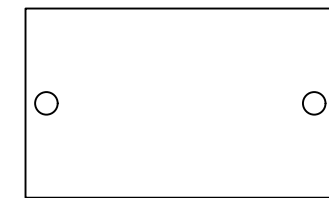
RECEPTACLE SECTION VIEW



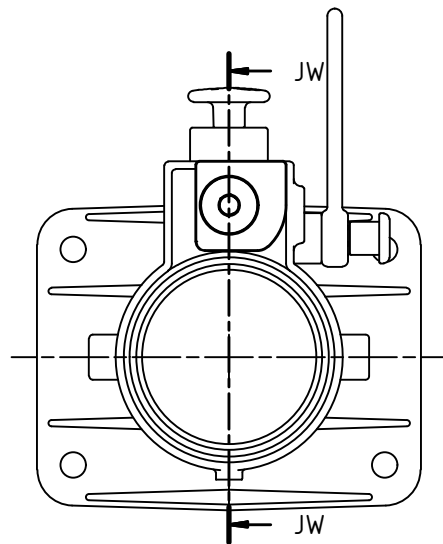
PULL TAB DETAIL



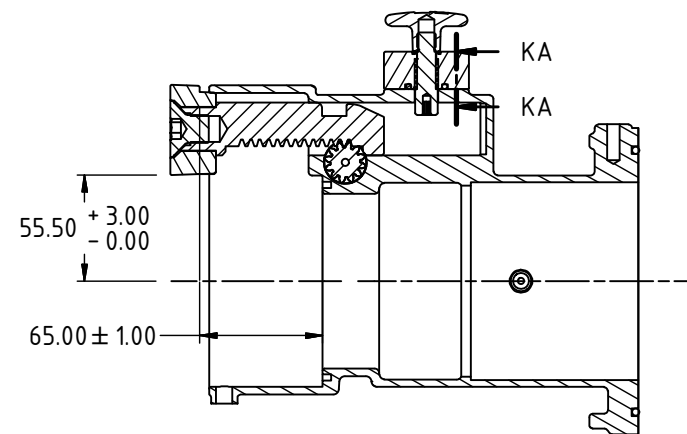
SECTION KA-KA



RECEPTACLE PRODUCT DATA LABEL
Refer to ExRPR300M2-1312 Table 2.0



PAWL WITHDRAWN



SECTION JW-JW

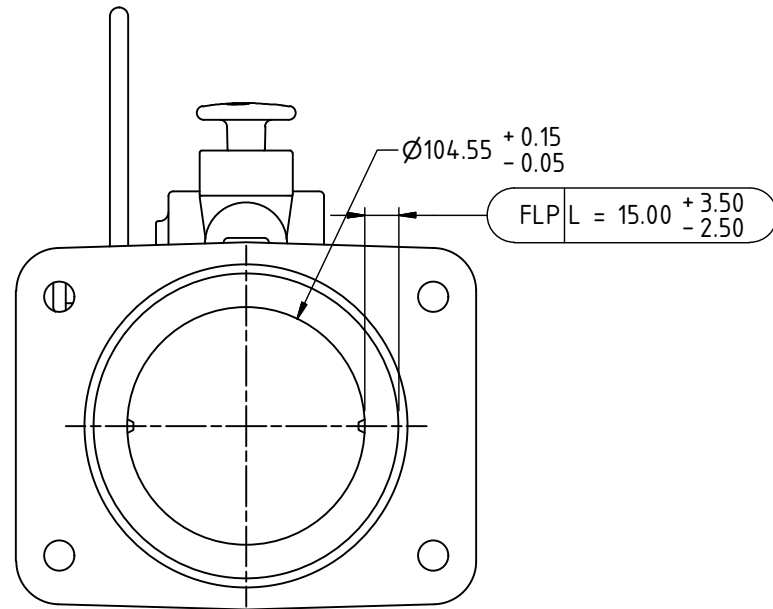
MODEL IDENTIFICATION CROSS REFERENCE TABLE	
QUICK RELEASE TYPE RECEPTACLE	
QRR634	
QRR644	
QRR134	
QRR136	
QRR144	
QRR146	
QRR334	
QRR336	
QRR344	
QRR346	

This drawing forms part of the documentation for Certification: IECEX SIM 20.0009X Issue: 0 Alterations not authorised by Simtars may invalidate this certification.

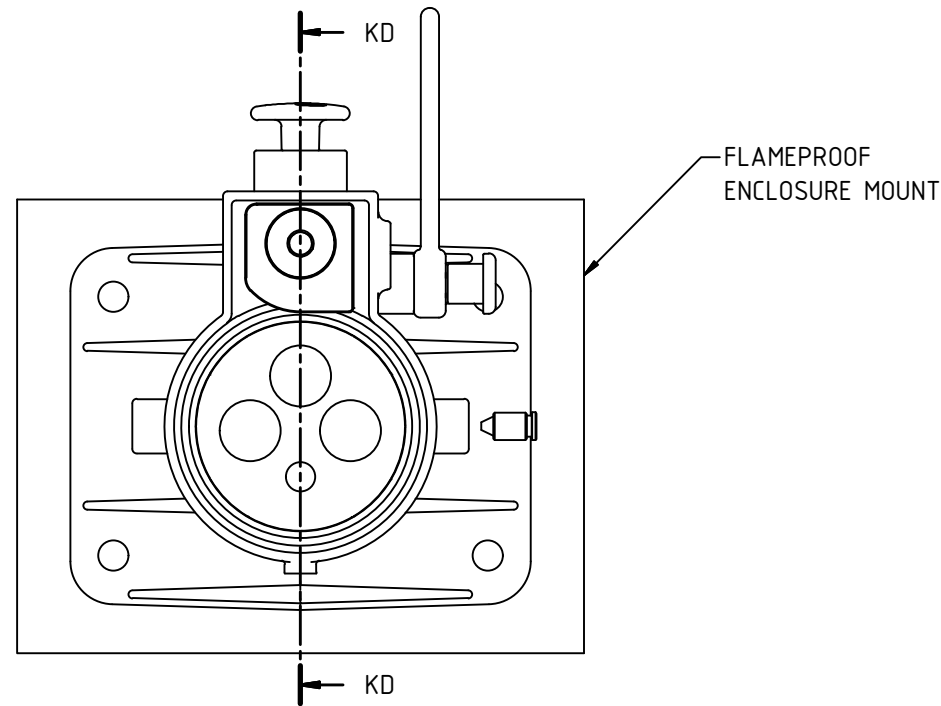
AUSPROOF PTY LTD		DRAWN BY G.Coumassos		DRAWING NUMBER ExRPR300QR-C1310		PRODUCT NAME 300 QR Receptacle Body CUSTOMER COPY		1		07/10/2020		D.Jensen		Updated to IECEX Standards	
© COPYRIGHT RESERVED		APPROVED BY C.Taylor		SIZE A3		REVISION NUMBER		REVISION DATE		REVISION BY		REVISION DESCRIPTION			
DIMENSIONS (Metric-millimetre-mm) UNLESS OTHERWISE SPECIFIED		X.X 0.1 X.XX 0.05		ALL SURFACES TO UNLESS OTHERWISE NOTED											

Ex

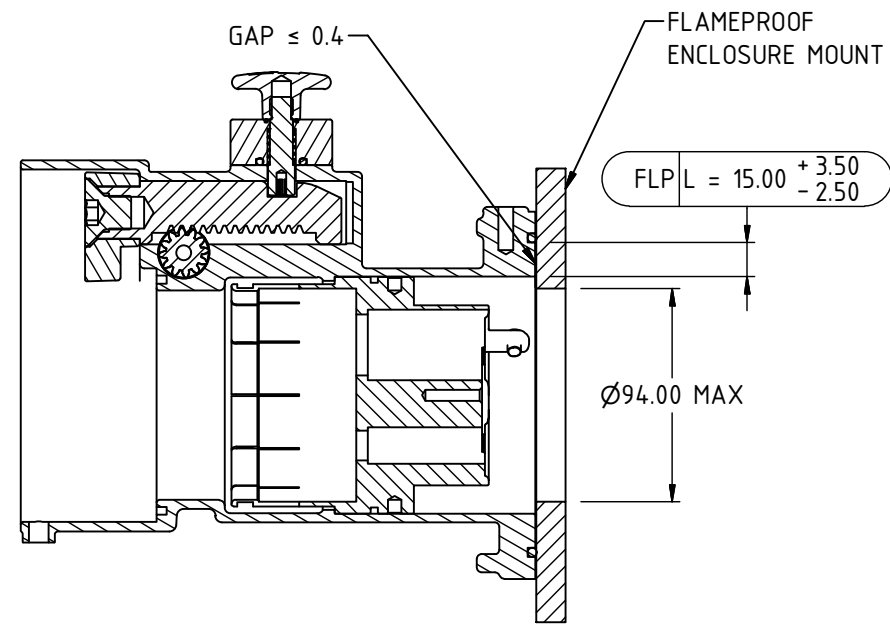
Ex



REAR FLANGE FLAMEPATH



RECEPTACLE FRONT VIEW
MOUNTED TO ENCLOSURE



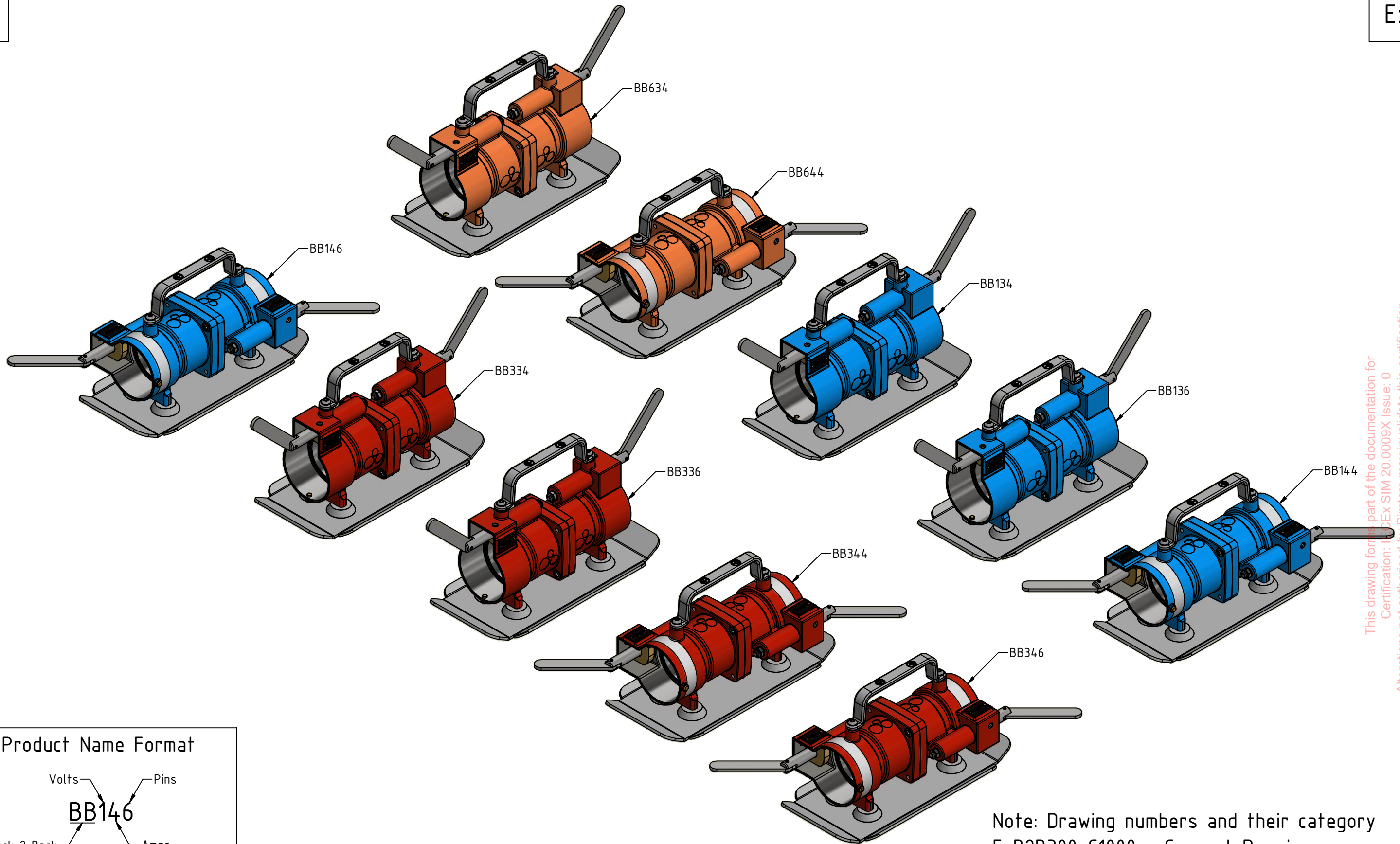
SECTION KD-KD

This drawing forms part of the documentation for
 Certification: IECEx SIM 20.0009X Issue: 0
 Alterations not authorised by Simtars may invalidate this certification.

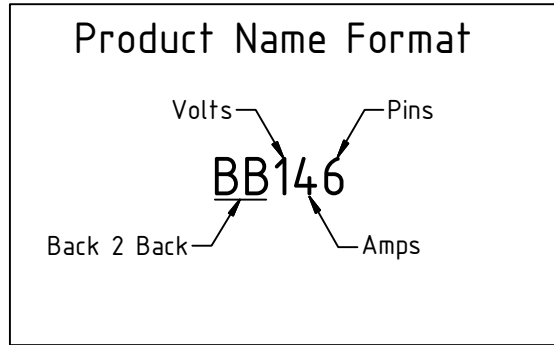
AUSPROOF PTY LTD		DRAWN BY G.Coumassos		DRAWING NUMBER ExRPR300QR-C1311		PRODUCT NAME 300 Receptacle Rear FLP CUSTOMER COPY		1		07/10/2020		D.Jensen		Updated to IECEx Standards	
© COPYRIGHT RESERVED		APPROVED BY C.Taylor		SIZE A3		REVISION NUMBER		REVISION DATE		REVISION BY		REVISION DESCRIPTION			
DIMENSIONS (Metric-millimetre-mm) UNLESS OTHERWISE SPECIFIED		X.X 0.1 X.XX 0.05				ALL SURFACES TO UNLESS OTHERWISE NOTED									

Ex

Ex

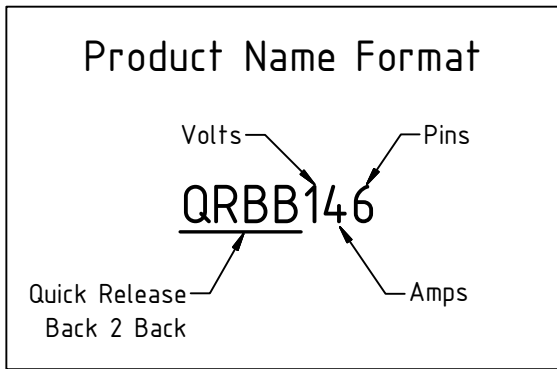
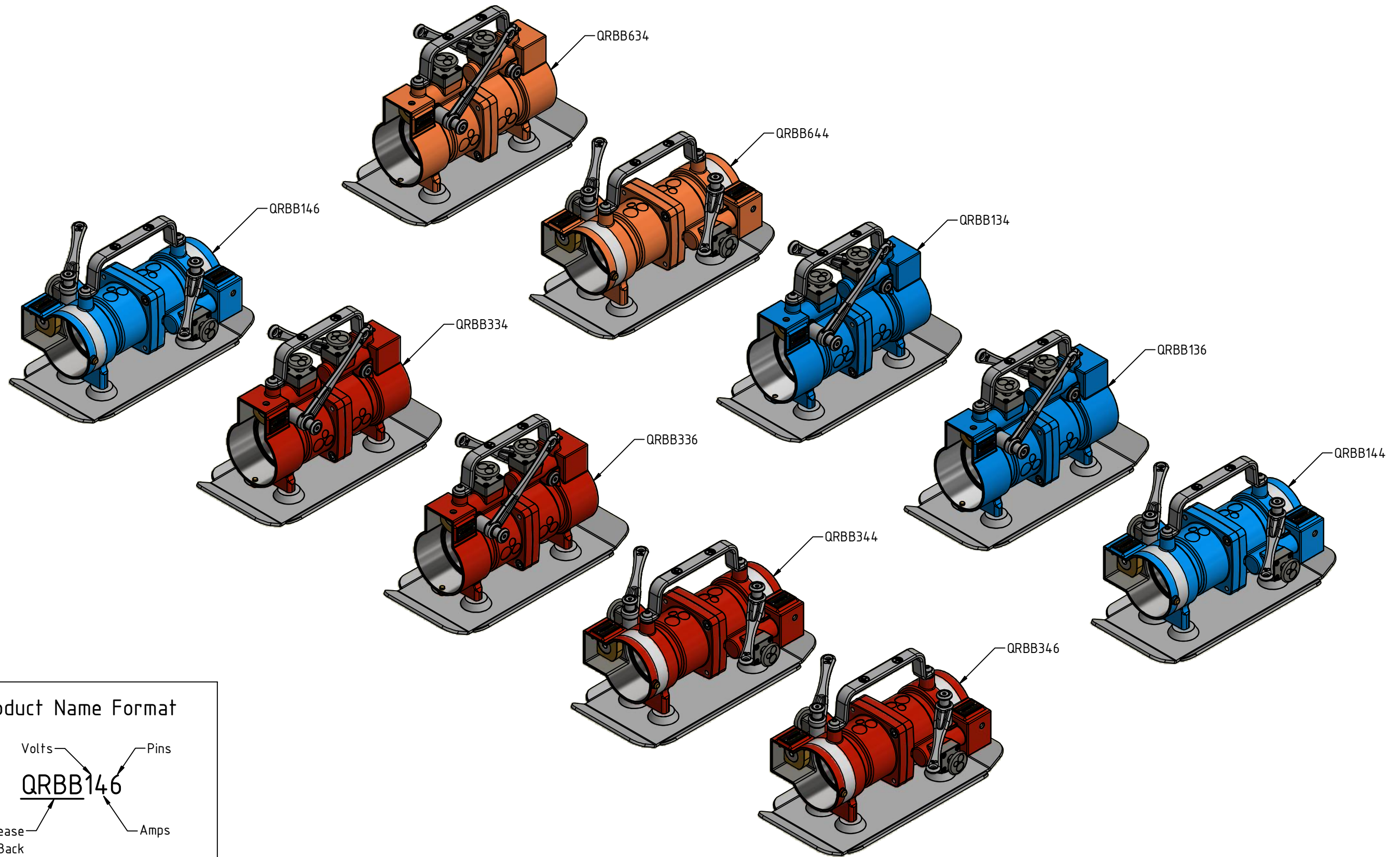


This drawing forms part of the documentation for
 Certification: IECEx SIM 20.0009X Issue: 0
 Alterations not authorised by Simtars may invalidate this certification.



Note: Drawing numbers and their category
 ExB2B300-C1000 - Concept Drawings
 ExB2B300-C1100 - Flameproof
 ExB2B300-C1200 - Product Range
 ExB2B300-C1300 - General

AUSPROOF PTY LTD		© COPYRIGHT RESERVED		DRAWN BY G.Coumessos	DRAWING NUMBER ExB2B300-C1000	PRODUCT NAME 300 B2B Series Index CUSTOMER COPY	0	05/02/19	D.Jensen	Updated to IECEx Standards
DIMENSIONS (Metric-millimetre-mm) UNLESS OTHERWISE SPECIFIED	X.X 0.1 X.XX 0.05		APPROVED BY C.Taylor	SIZE A3	REVISION NUMBER	REVISION DATE	REVISION BY	REVISION DESCRIPTION		

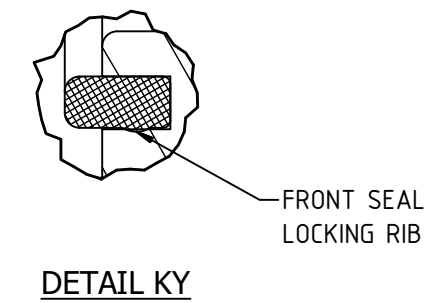
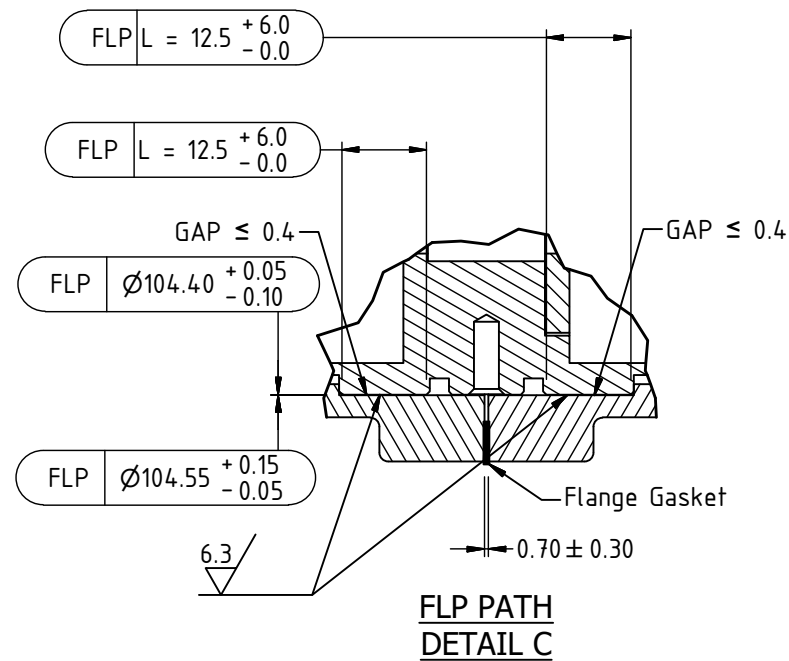
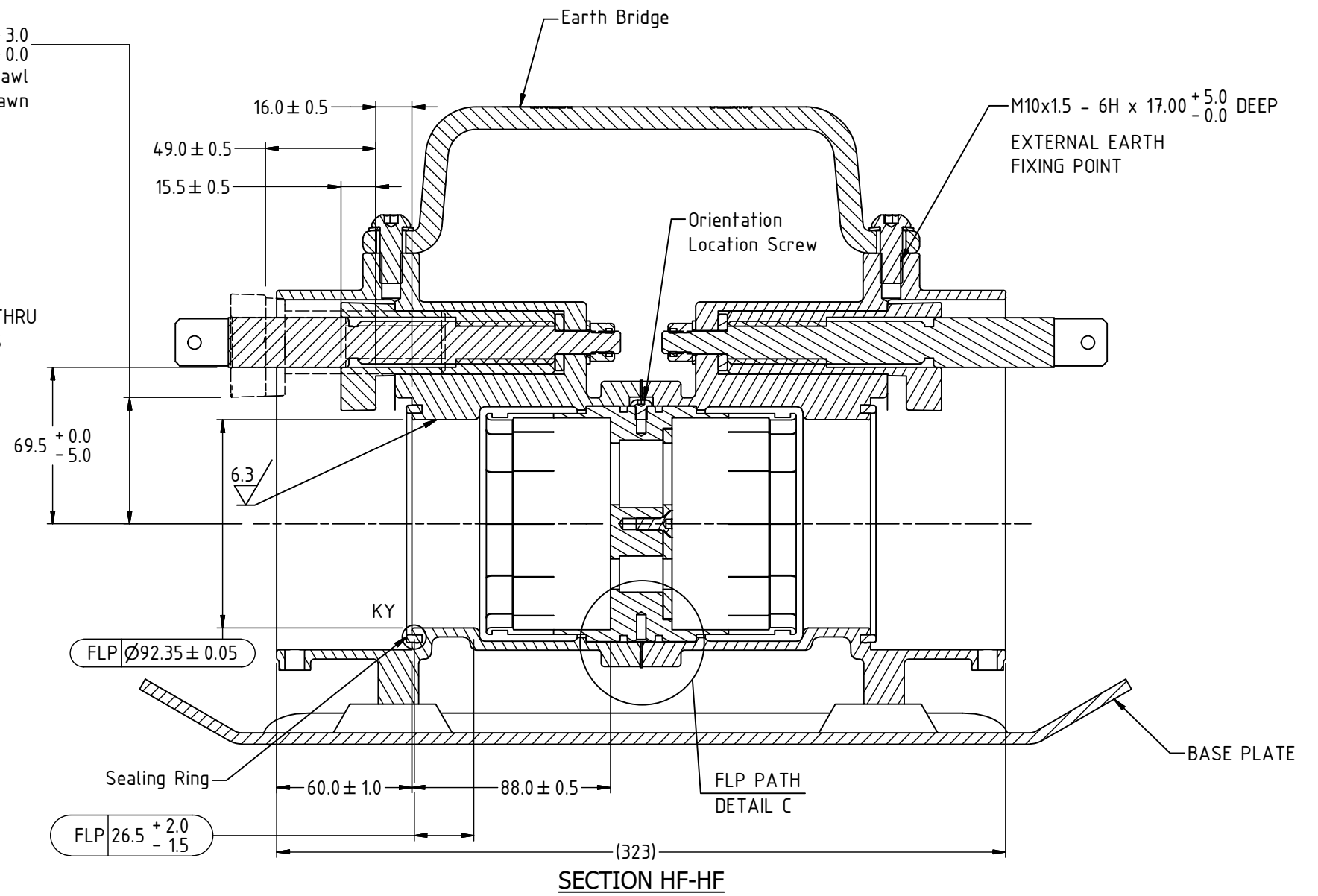
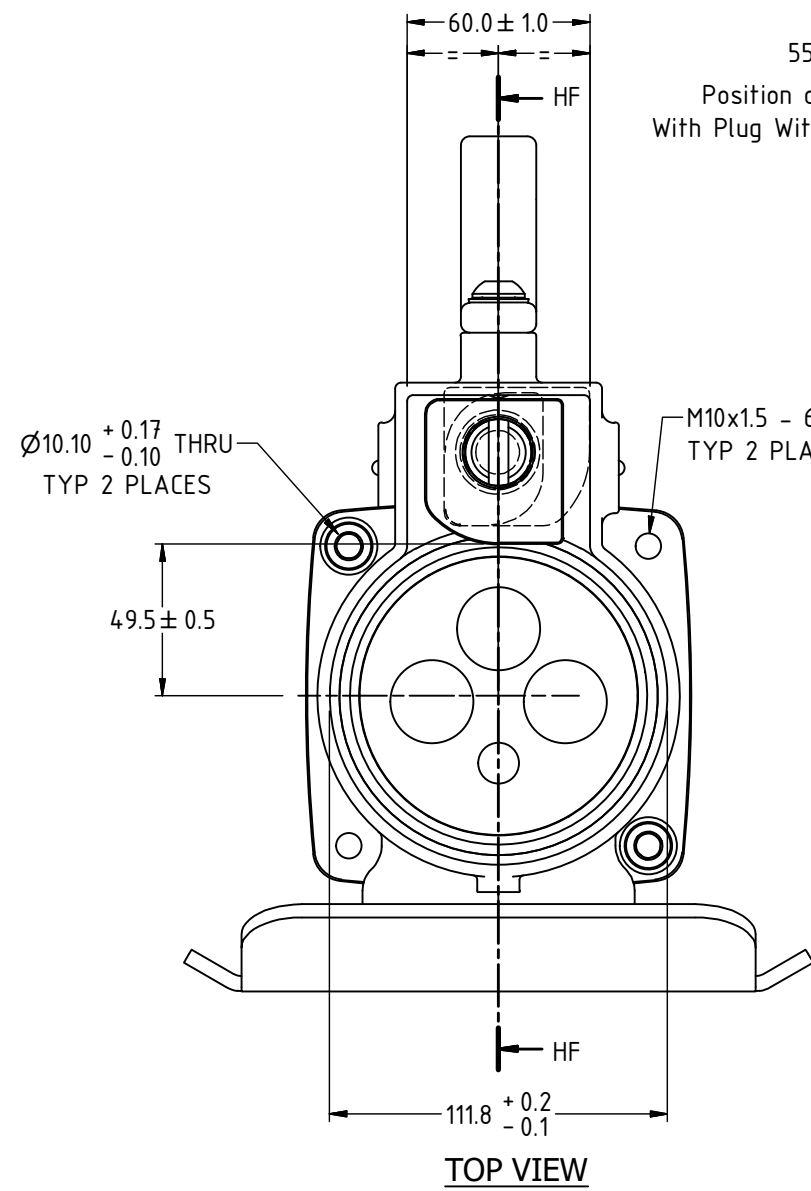


This drawing forms part of the documentation for
 Certification: IECEx SIM 20.0009X Issue: 0
 Alterations not authorised by Simtars may invalidate this certification.

AUSPROOF PTY LTD		DRAWN BY G.Coumessos		DRAWING NUMBER ExB2B300-C1001		PRODUCT NAME 300 QR B2B Series Index CUSTOMER COPY		0		05/02/19		D.Jensen		Updated to IECEx Standards	
© COPYRIGHT RESERVED		APPROVED BY C.Taylor		SIZE A3		REVISION NUMBER		REVISION DATE		REVISION BY		REVISION DESCRIPTION			
DIMENSIONS (Metric-millimetre-mm) UNLESS OTHERWISE SPECIFIED		X.X 0.1 X.XX 0.05				ALL SURFACES TO UNLESS OTHERWISE NOTED									

Ex

Ex



This drawing forms part of the documentation for
 Certification: IECEX SIM 20.0009X Issue: 0
 Alterations not authorised by Simtars may invalidate this certification.

AUSPROOF PTY LTD

© COPYRIGHT RESERVED

DRAWN BY

G.Coumessos

APPROVED BY

C.Taylor

SIZE

A3

DRAWING NUMBER

ExB2B300-C1100

PRODUCT NAME

Common B2B Receptacle Body
CUSTOMER COPY

0

REVISION NUMBER

02/05/2019

REVISION DATE

D.Jensen

REVISION BY

Updated to IECEX Standards

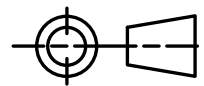
REVISION DESCRIPTION

DIMENSIONS (Metric-millimetre-mm)

UNLESS OTHERWISE SPECIFIED

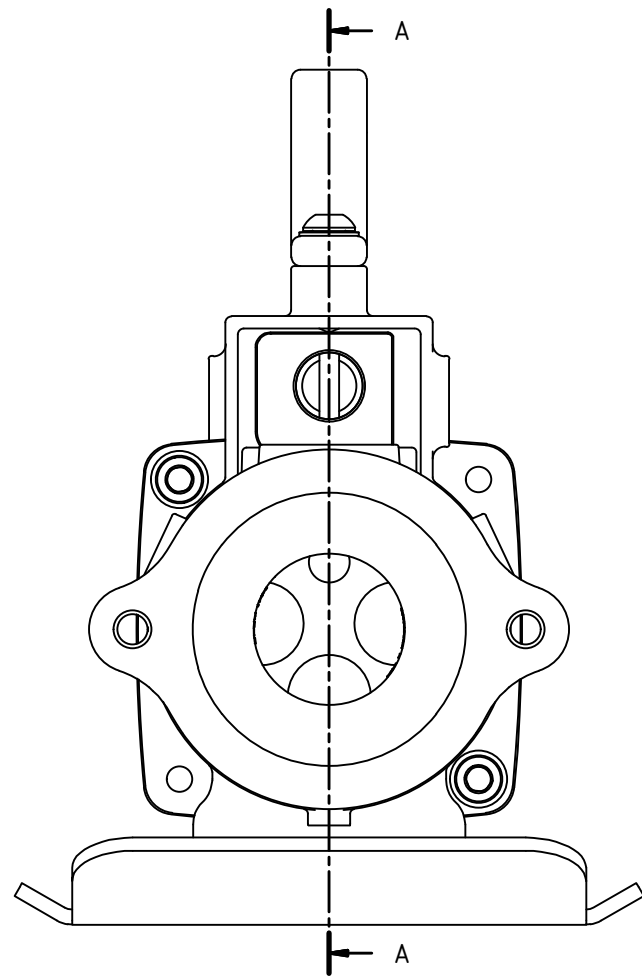
ALL SURFACES TO
UNLESS OTHERWISE NOTED

X.X 0.1
X.XX 0.05

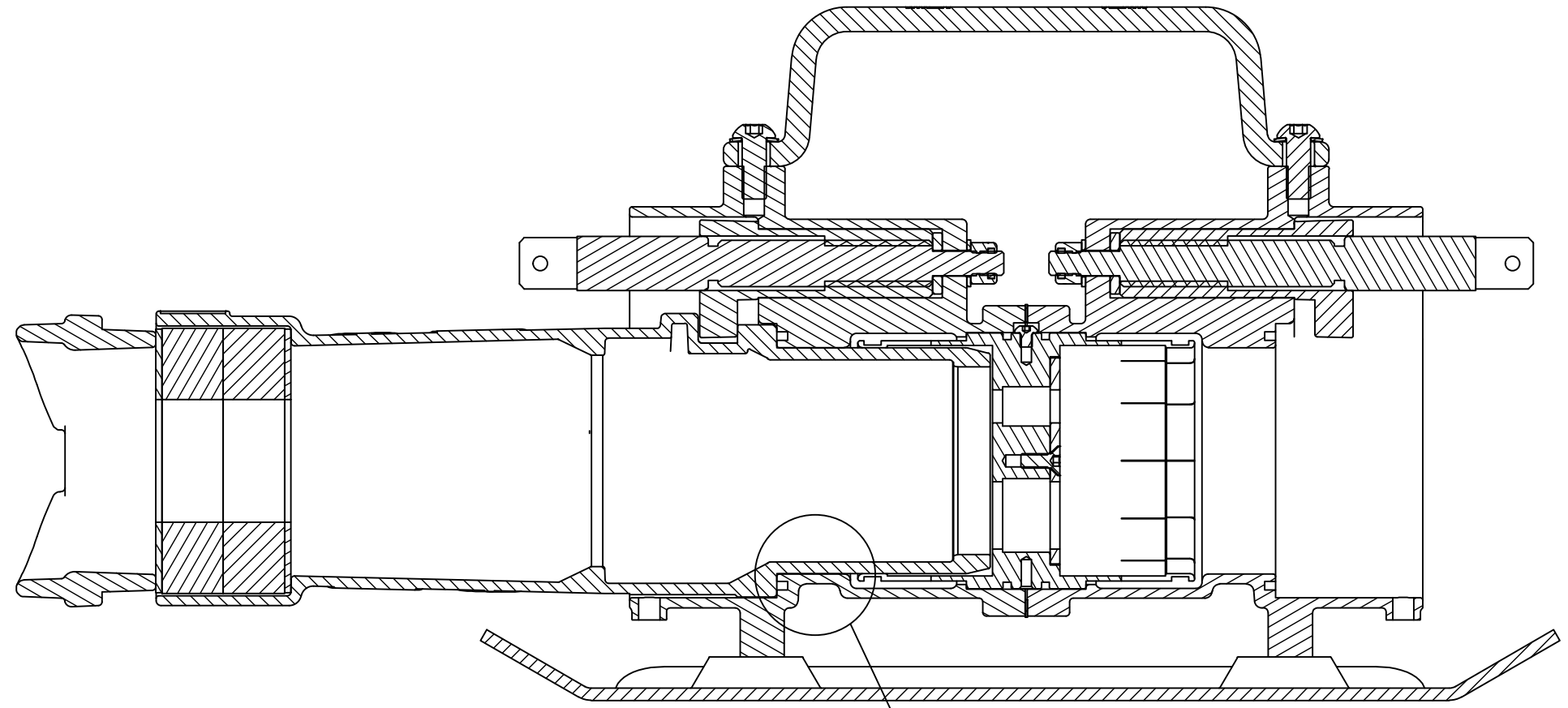


Ex

Ex

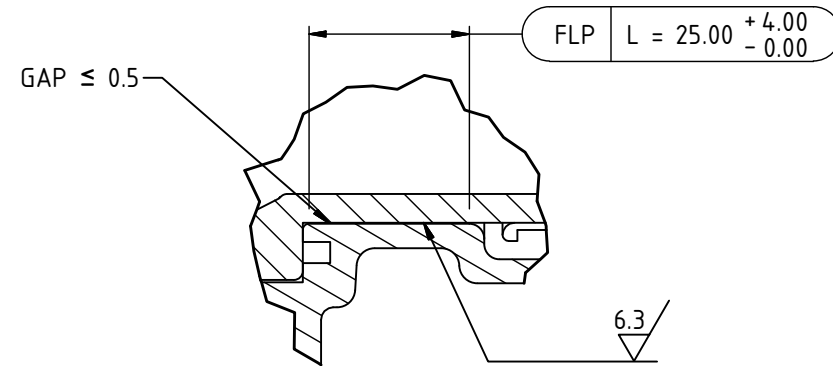


PLUG INSERTED INTO BACK TO BACK RECEPTACLE
END VIEW



SECTION A-A

FLP PATH
DETAIL B



FLP PATH
DETAIL B

This drawing forms part of the documentation for
 Certification: IECEx SIM 20.0009X Issue: 0
 Alterations not authorised by Simtars may invalidate this certification.

AUSPROOF PTY LTD

© COPYRIGHT RESERVED

DRAWN BY

G.Coumessos

APPROVED BY

C.Taylor

SIZE

A3

DRAWING NUMBER

ExB2B300-C1101

PRODUCT NAME

Plug & B2B Body Engaged
CUSTOMER COPY

0

REVISION NUMBER

02/05/2019

REVISION DATE

D.Jensen

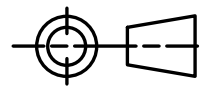
REVISION BY

Updated to IECEx Standards

REVISION DESCRIPTION

DIMENSIONS (Metric-millimetre-mm)
UNLESS OTHERWISE SPECIFIED

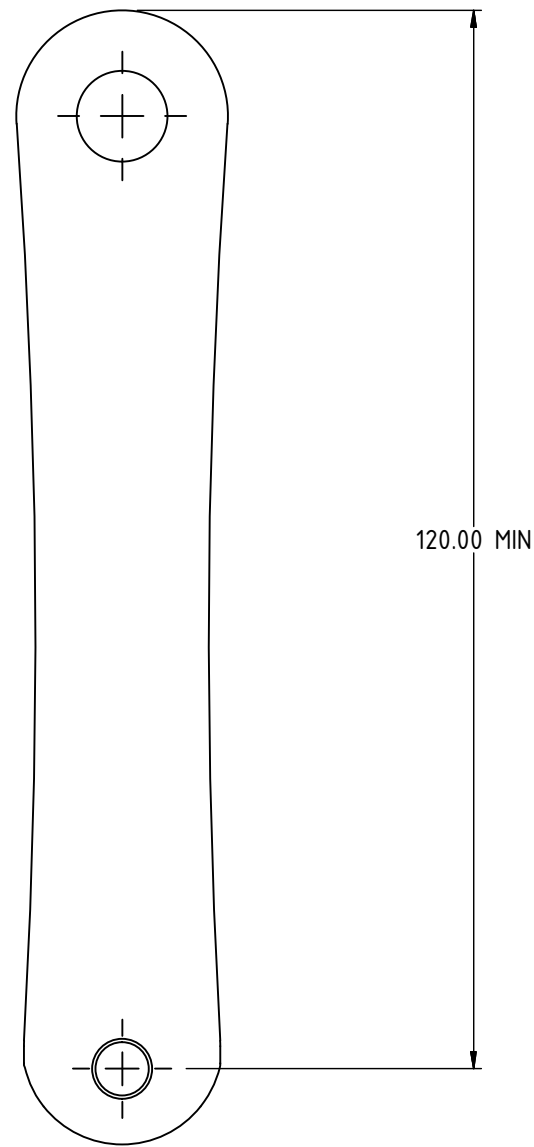
X.X 0.1
X.XX 0.05



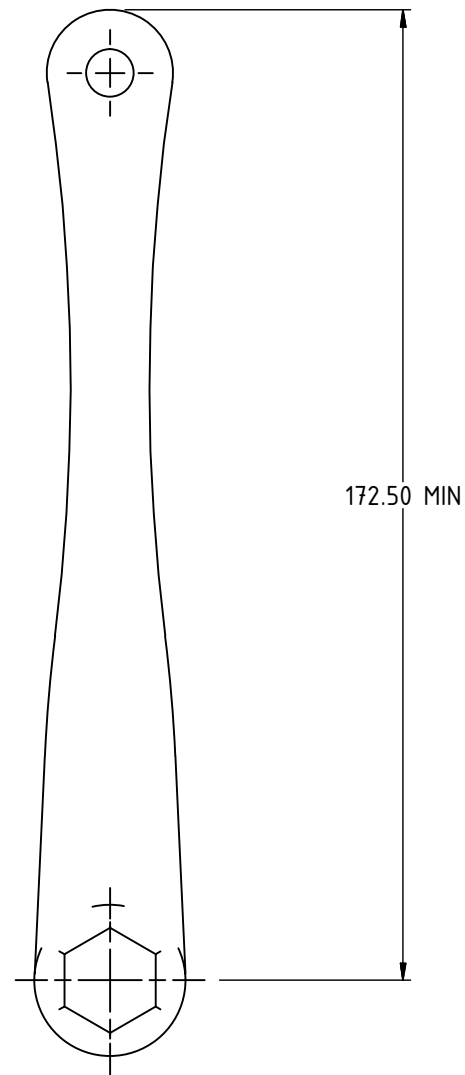
ALL SURFACES TO
UNLESS OTHERWISE NOTED

Ex

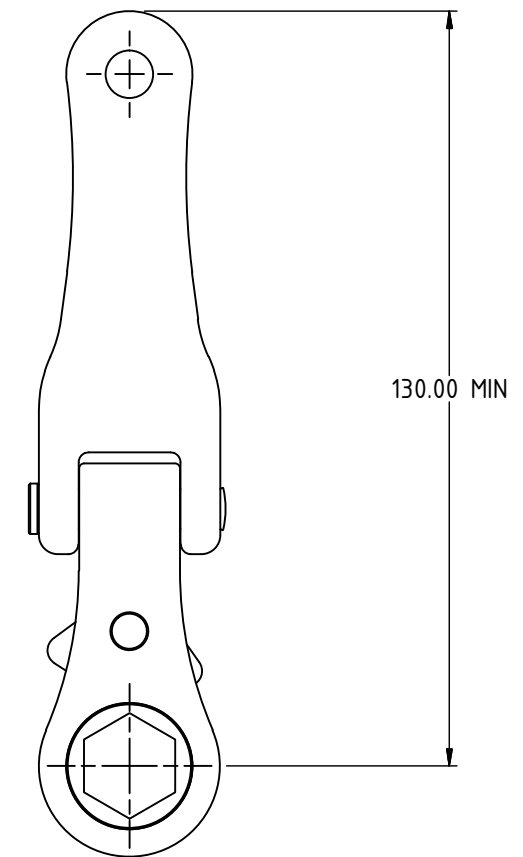
Ex



JACK IN HANDLE



QUICK RELEASE HANDLE



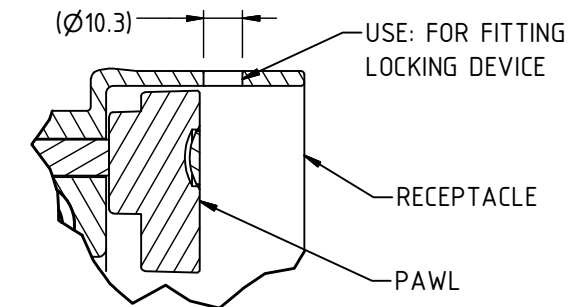
RATCHET RELEASE HANDLE

This drawing forms part of the documentation for
 Certification: IECEx SIM 20.0009X Issue: 1
 Certification: ANZEx 16.2005X Issue: 6
 Alterations not authorised by Simtars may invalidate this certification.

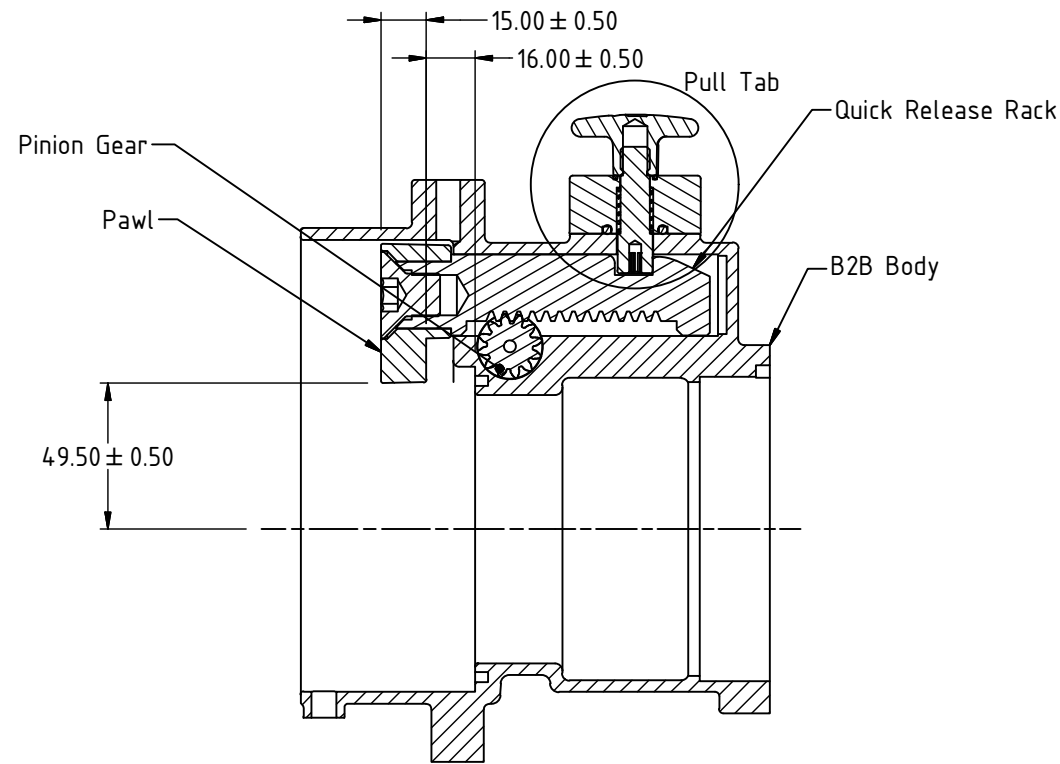
AUSPROOF PTY LTD		DRAWN BY A.Castle		DRAWING NUMBER ExB2B300-C1102		PRODUCT NAME Com 300 Operating Mech		REVISION NUMBER 0		REVISION DATE 06/10/2022		REVISION BY A.Castle		REVISION DESCRIPTION Added Operating Mechanism	
© COPYRIGHT RESERVED		APPROVED BY C.Taylor		SIZE A3		CUSTOMER COPY									
DIMENSIONS (Metric-millimetre-mm) UNLESS OTHERWISE SPECIFIED		X.X 0.1 X.XX 0.05		ALL SURFACES TO UNLESS OTHERWISE NOTED											

Ex

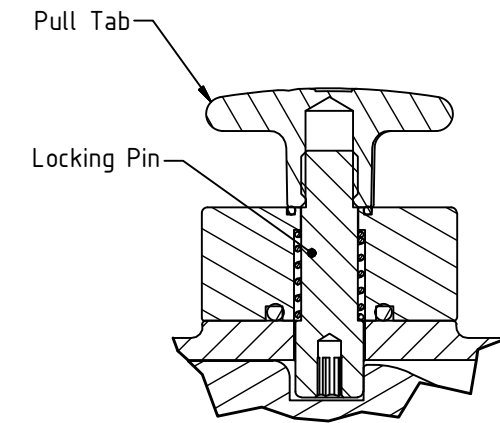
Ex



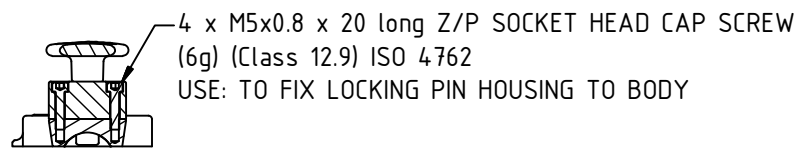
DETAIL FOR LOCKING DEVICE LOCATION



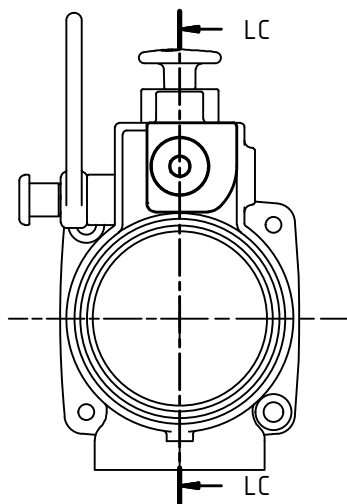
BACK TO BACK SECTION VIEW



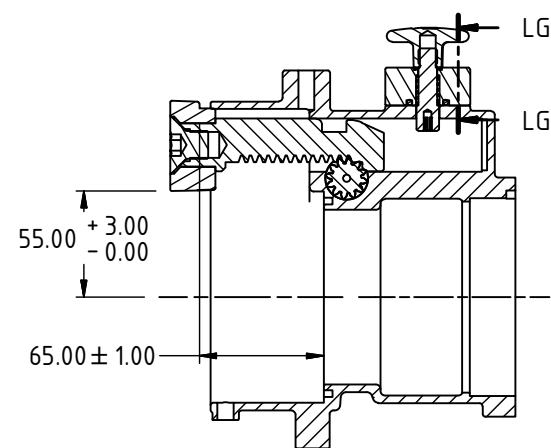
PULL TAB DETAIL



SECTION LG-LG

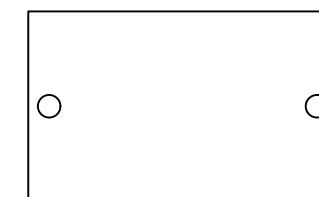


PAWL WITHDRAWN



SECTION LC-LC

MODEL IDENTIFICATION CROSS REFERENCE TABLE	
QUICK RELEASE TYPE BACK TO BACK	
QRBB634	
QRBB644	
QRBB134	
QRBB136	
QRBB144	
QRBB146	
QRBB334	
QRBB336	
QRBB344	
QRBB346	



BACK TO BACK PRODUCT DATA LABEL
Refer to ExB2B300-C1309 Table 1.0

This drawing forms part of the documentation for Certification: IECEX SIM 20.0009X Issue: 0 Alterations not authorised by Simtars may invalidate this certification.

AUSPROOF PTY LTD		DRAWN BY G.Coumessos		DRAWING NUMBER ExB2B300-C1307		PRODUCT NAME 300 B2B Quick Release CUSTOMER COPY		0		02/05/2019		D.Jensen		Updated to IECEX Standards	
© COPYRIGHT RESERVED		APPROVED BY C.Taylor		SIZE A3		REVISION NUMBER		REVISION DATE		REVISION BY		REVISION DESCRIPTION			
DIMENSIONS (Metric-millimetre-mm) UNLESS OTHERWISE SPECIFIED		X.X 0.1 X.XX 0.05		ALL SURFACES TO UNLESS OTHERWISE NOTED											

Ex

FASTENER SCHEDULE JACK IN

2 x M10x1.5 x 25 LONG Z/P BUTTON HEAD SOCKET CAP SCREWS (CLASS 12.9) (6g) ISO 7380
AND 2 x M10 S/S BELLEVILLE LOCK WASHERS
USE: EARTH FIXING SCREWS FOR EARTH BRIDGE

1 x M10x1.5 Z/P NYLOC NUT (CLASS 8) (6H) ISO 4017
AND 1 x M10 Z/P WASHER (CLASS 8) (200 HV) ISO 7089
USE: TO FIX PAWL SCREW INTO B2B BODY

4 x 4GAUGE x 1/4" Z/P HAMMER DRIVE
USE: FIXING LABEL TO B2B BODY

4 x M10x1.5 x 20 LONG Z/P SET SCREWS (CLASS 4.6) (6g) ISO 4017
AND 4 x M10 B/S WASHERS (CLASS 4) (200 HV) ISO 7089
USE: FIX BASE PLATE ONTO B2B BODY

4 x M10x1.5 x 25 LONG Z/P SOCKET HEAD CAP SCREWS (CLASS 12.9) (6g) ISO 4762
USE: TO FIX B2B BODIES TOGETHER

1 x M6x1.0 x 16 LONG Z/P COUNTERSUNK SOCKET HEAD SCREW (CLASS 12.9) (6g) ISO 10642
USE: TO FIX RETAINING PLATE TO CAGE

1 x M5x0.8 x 6 LONG Z/P BUTTON HEAD SOCKET CAP SCREWS (CLASS 12.9) (6g) ISO 7380
USE: FIX ROTATION OF CAGE

FASTENER SCHEDULE QUICK RELEASE

2 x M10x1.5 x 25 LONG Z/P BUTTON HEAD SOCKET CAP SCREWS (CLASS 12.9) (6g) ISO 7380
AND 2 x M10 S/S BELLEVILLE LOCK WASHER
USE: EARTH FIXING SCREWS FOR EARTH BRIDGE

4 x 4GAUGE x 1/4" Z/P HAMMER DRIVE
USE: FIXING LABEL TO B2B BODY

4 x M10x1.5 x 20 LONG Z/P SET SCREW (CLASS 4.6) (6g) ISO 4017
AND 4 x M10 B/S WASHER (CLASS 4) (200 HV) ISO 7089
USE: FIX BASE PLATE ONTO B2B BODY

4 x M10x1.5 x 25 LONG Z/P SOCKET HEAD CAP SCREWS (CLASS 12.9) (6g) ISO 4762
USE: TO FIX B2B BODIES TOGETHER

1 x M6x1.0 x 16 LONG Z/P COUNTERSUNK SOCKET HEAD SCREW (CLASS 12.9) (6g) ISO 10642
USE: TO FIX RETAINING PLATE TO CAGE

1 x M5x0.8 x 6 LONG Z/P BUTTON HEAD SOCKET CAP SCREWS (CLASS 12.9) (6g) ISO 7380
USE: FIX ROTATION OF CAGE

2 x M16x2.0 x 20 LONG Z/P COUNTERSUNK SOCKET HEAD SCREW (CLASS 12.9) (6g) ISO 10642
USE: FIX PAWL TO QR RACK

2 x M8x1.25 x 16 LONG Z/P COUNTERSUNK SOCKET HEAD SCREW (CLASS 12.9) (6g) ISO 10642
USE: TO FIX PINION RETAINING BOSS TO PINION

2 x M8x1.25 x 35 LONG Z/P COUNTERSUNK SOCKET HEAD SCREW (CLASS 12.9) (6g) ISO 10642
USE: TO FIX QR HANDLE TO QR RACK

8 x M5x0.8 x 20 LONG Z/P SOCKET HEAD CAP SCREWS (CLASS 12.9) (6g) ISO 4762
USE: TO FIX LOCKING PIN HOUSING TO B2B BODY

THREAD CLASS TO ISO 965
COARSE THREAD PITCH TO ISO 262

Ex

This drawing forms part of the documentation for
Certification: IECEx SIM 20.0009X Issue: 0
Alterations not authorised by Simtars may invalidate this certification.

AUSPROOF PTY LTD

© COPYRIGHT RESERVED

DRAWN BY

G.Coumessos

APPROVED BY

C.Taylor

SIZE

A3

DRAWING NUMBER

ExB2B300-C1308

PRODUCT NAME

MATERIAL SCHEDULE
CUSTOMER COPY

0

REVISION NUMBER

02/05/2019

REVISION DATE

D.Jensen

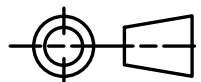
REVISION BY

Updated to IECEx Standards

REVISION DESCRIPTION

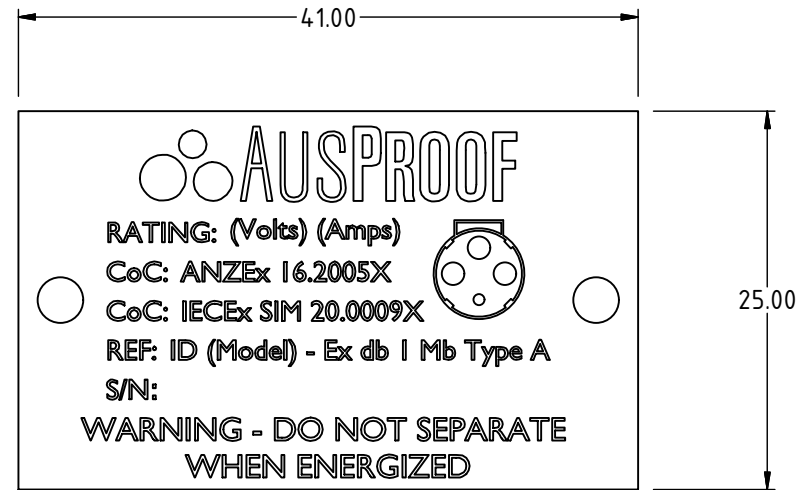
DIMENSIONS (Metric-millimetre-mm)

UNLESS OTHERWISE SPECIFIED

X.X 0.1
X.XX 0.05ALL SURFACES TO
UNLESS OTHERWISE NOTED

Ex

Ex



**BACK TO BACK
PRODUCT DATA LABEL
AS PER TABLE 1.0**

Table 1.0		
Model	Volts	Amps
BB634	660	300
BB644	660	425
BB134	1100	300
BB144	1100	425
BB136	1100	300
BB146	1100	425
BB334	3300	300
BB344	3300	425
BB336	3300	300
BB346	3300	425
QRBB634	660	300
QRBB644	660	425
QRBB134	1100	300
QRBB144	1100	425
QRBB136	1100	300
QRBB146	1100	425
QRBB334	3300	300
QRBB344	3300	425
QRBB336	3300	300
QRBB346	3300	425

This drawing forms part of the documentation for
 Certification: IECEx SIM 20.0009X Issue: 0
 Alterations not authorised by Simtars may invalidate this certification.

AUSPROOF PTY LTD

© COPYRIGHT RESERVED

DRAWN BY

G.Coumessos

APPROVED BY

C.Taylor

DRAWING NUMBER

ExB2B300-C1309

PRODUCT NAME

Product marking labels
CUSTOMER COPY

0

REVISION NUMBER

02/05/2019

REVISION DATE

D.Jensen

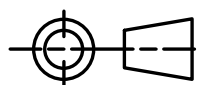
REVISION BY

Updated to IECEx Standards

REVISION DESCRIPTION

DIMENSIONS (Metric-millimetre-mm)
UNLESS OTHERWISE SPECIFIED

X.X 0.1
X.XX 0.05

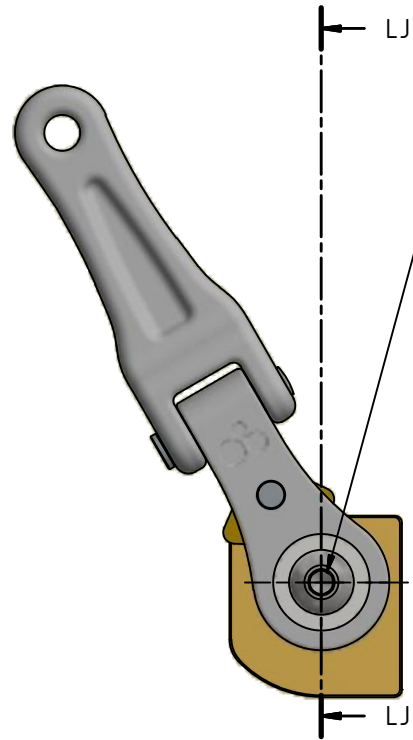


ALL SURFACES TO
UNLESS OTHERWISE NOTED

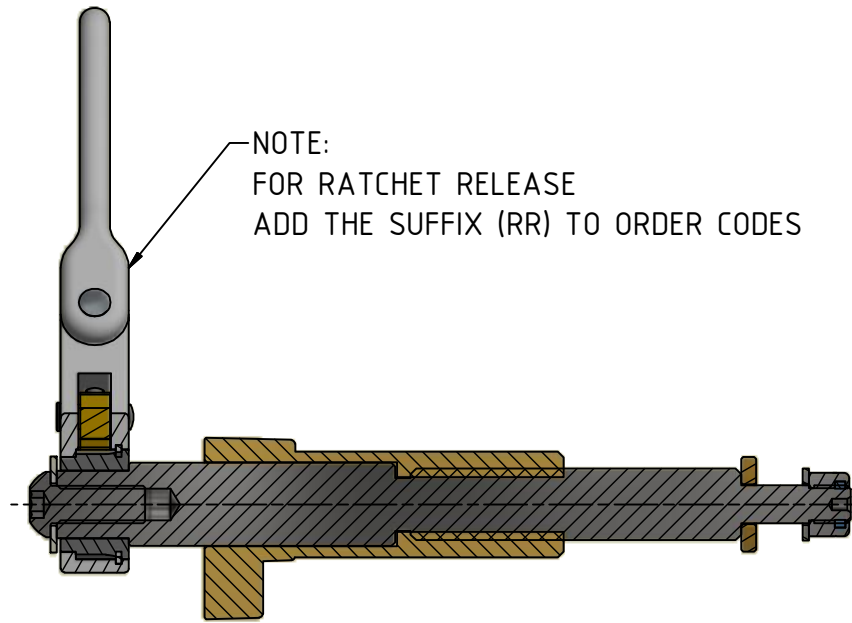
Ex

Ex

1 x M10x1.5 x 25 Z/P BHCS PN1824 (MIN Class 8.8) (6g) ISO 7380 OR A2/A4-70 STAINLESS STEEL PN10147
 AND 1 x 3/8 x 1" Z/P WASHER PN1941 (Min Class 5) (140 HV) ISO 7089 OR A2/A4-70 STAINLESS STEEL PN10152
 USE: TO FIX RATCHET RELEASE



FRONT VIEW

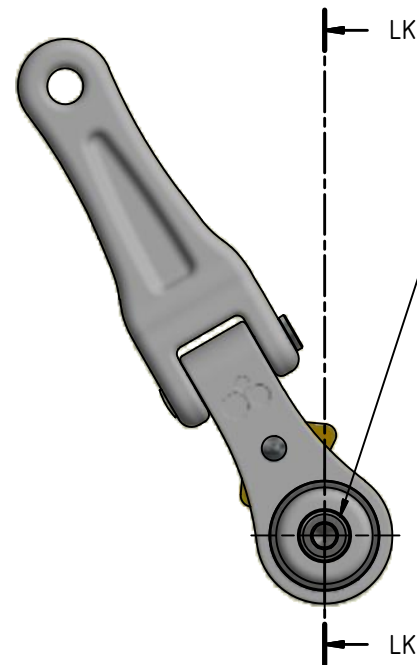


SECTION LJ-LJ

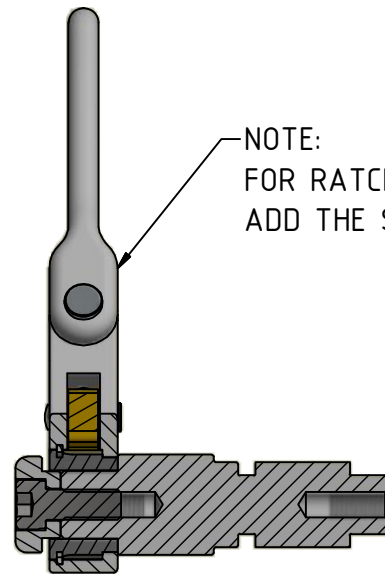
NOTE:
 FOR RATCHET RELEASE
 ADD THE SUFFIX (RR) TO ORDER CODES

MODEL IDENTIFICATION CROSS REFERENCE TABLE	
BACK TO BACK TYPE	
BB634RR	
BB644RR	
BB134RR	
BB136RR	
BB144RR	
BB146RR	
BB334RR	
BB336RR	
BB344RR	
BB346RR	

1 x M8x1.25 x 20 Z/P SHCS PN10119 (MIN Class 8.8) (6g) ISO 4762 OR A2/A4-70 STAINLESS STEEL PN1077
 USE: TO FIX RATCHET RELEASE



FRONT VIEW



SECTION LK-LK

NOTE:
 FOR RATCHET RELEASE
 ADD THE SUFFIX (RR) TO ORDER CODES

MODEL IDENTIFICATION CROSS REFERENCE TABLE	
QUICK RELEASE BACK TO BACK TYPE	
QRBB634RR	
QRBB644RR	
QRBB134RR	
QRBB136RR	
QRBB144RR	
QRBB146RR	
QRBB334RR	
QRBB336RR	
QRBB344RR	
QRBB346RR	

AUSPROOF PTY LTD

© COPYRIGHT RESERVED

DRAWN BY

C.Taylor

APPROVED BY

D.Jensen

SIZE

A3

DRAWING NUMBER

ExB2B300-C1310

PRODUCT NAME

Common 300 B2B RR
 CUSTOMER COPY

0

REVISION NUMBER

12/12/2024

REVISION DATE

C.Taylor

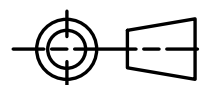
REVISION BY

FIXED FASTENER ISO

REVISION DESCRIPTION

DIMENSIONS (Metric-millimetre-mm)
 UNLESS OTHERWISE SPECIFIED
 ALL SURFACES TO
 UNLESS OTHERWISE NOTED

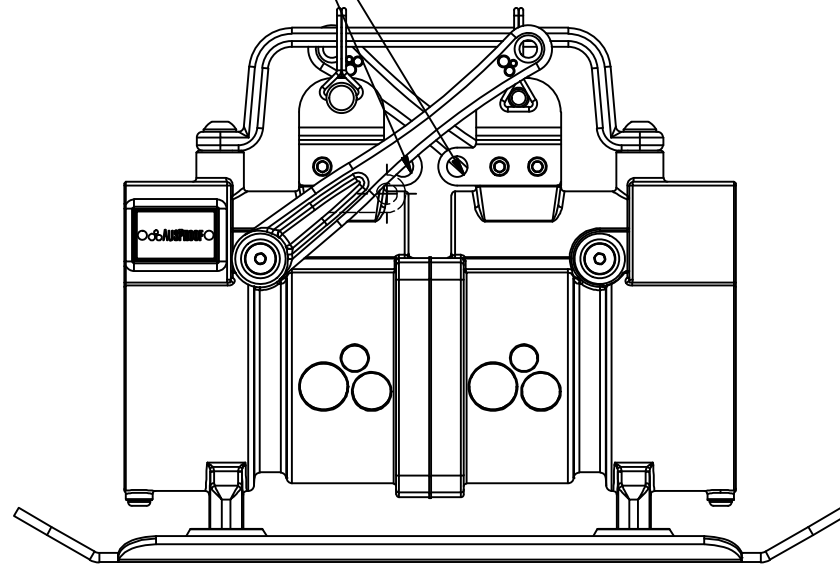
X.X 0.1
 X.XX 0.05



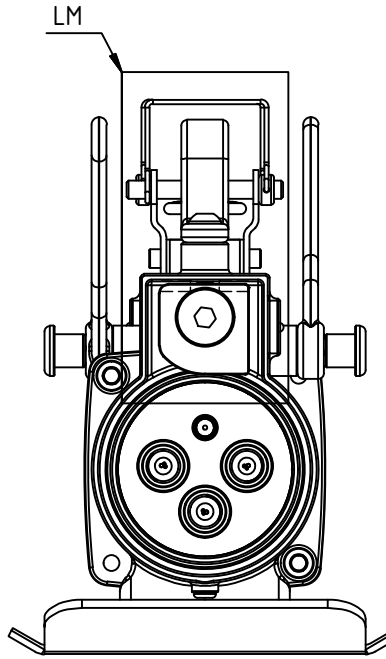
This drawing forms part of the documentation for
 Certification: IECEx SIM 20.0009X Issue: 1
 Certification: ANZEx 16.2005X Issue: 6
 Alterations not authorised by Simtars may invalidate this certification.

Ex

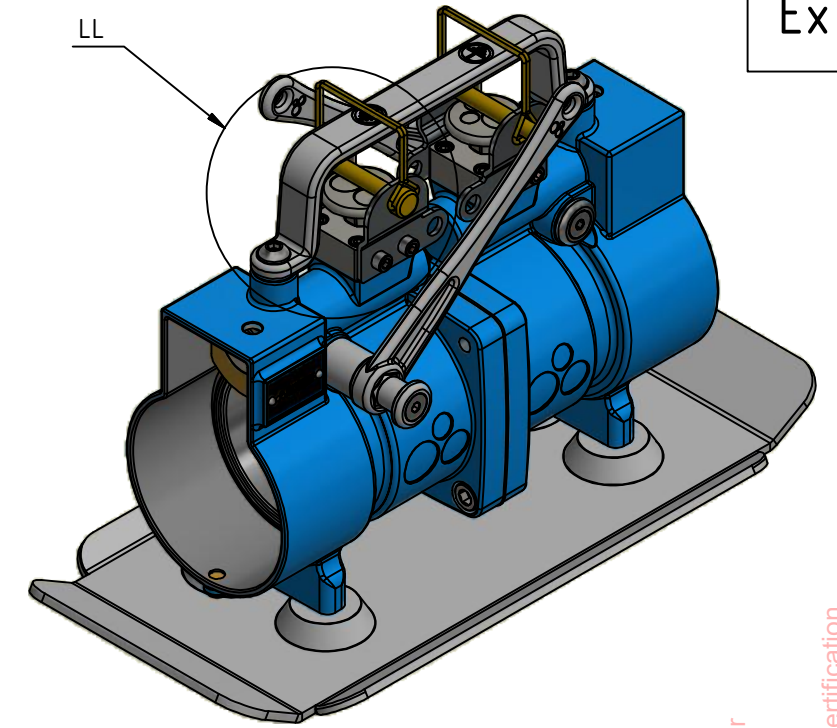
PROVISION FOR STORAGE OF LOCKOUT PIN



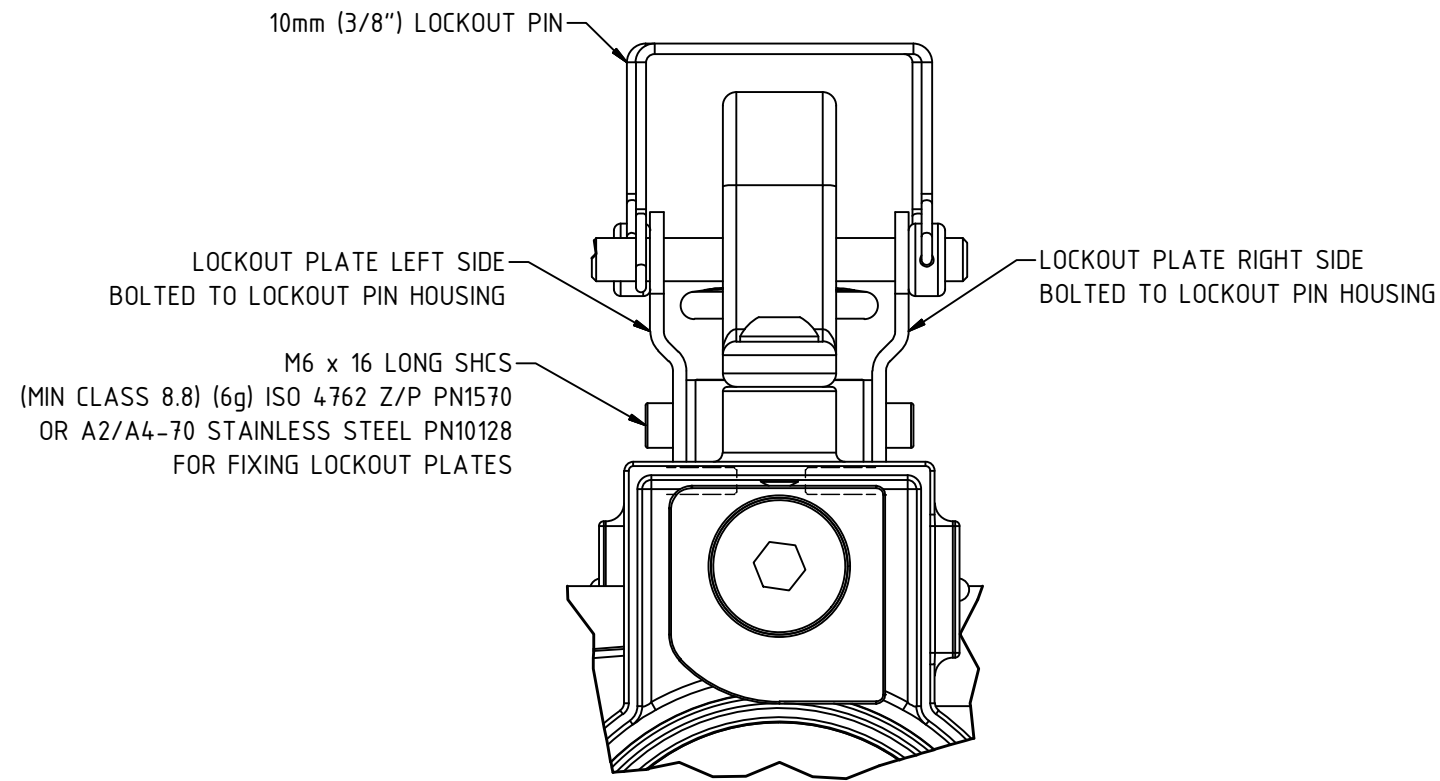
SIDE VIEW



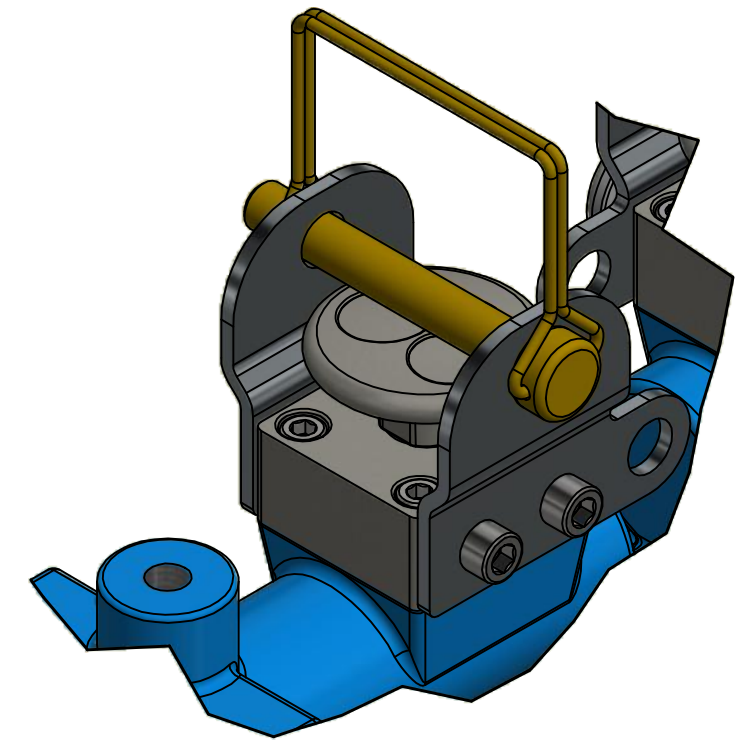
FRONT VIEW



ISOMETRIC VIEW



DETAIL LM



DETAIL LL
WITH EARTH BRIDGE AND RACKING
HANDLES REMOVED FOR CLARITY
SIMILAR FOR BOTH RECEPTACLES

Ex

This drawing forms part of the documentation for
Certification: IECEx SIM 20.0009X Issue: 1
Certification: ANZEx 16.2005X Issue: 6
Alterations not authorised by Simtars may invalidate this certification.

AUSPROOF PTY LTD

© COPYRIGHT RESERVED

DRAWN BY

D.Jensen

APPROVED BY

C.Taylor

SIZE

A3

DRAWING NUMBER

ExB2B300-C1311

PRODUCT NAME

300 B2B Pin Lockout
CUSTOMER COPY

0

REVISION NUMBER

12/12/2024

REVISION DATE

D.Jensen

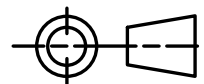
REVISION BY

INITIAL RELEASE

REVISION DESCRIPTION

DIMENSIONS (Metric-millimetre-mm)
UNLESS OTHERWISE SPECIFIED

X.X 0.1
X.XX 0.05



ALL SURFACES TO
UNLESS OTHERWISE NOTED