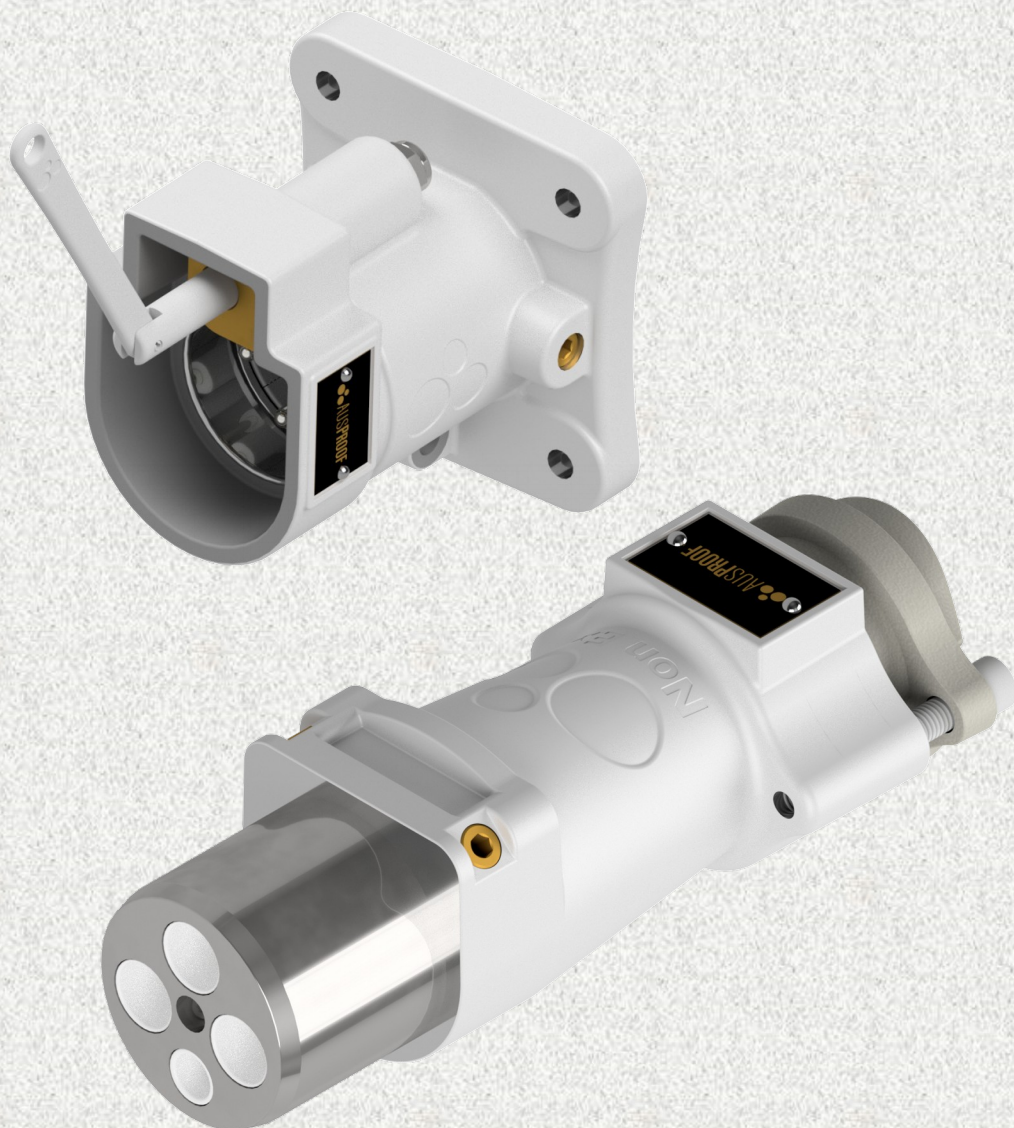




Restrained Plugs And Receptacles

**AES Range
Non-Ex 60A
&
Non-Ex 90A Flexible Range (FR)**







Index


Description


Non-Ex 60Amp

 660V 60A Plug
660V 60A Receptacle
660V 60A Receptacle Gland Bracket (RGB)
660V 60A Back to Back (B2B)

 1100V 60A Plug
1100V 60A Receptacle
1100V 60A Receptacle Gland Bracket (RGB)
1100V 60A Back to Back (B2B)

Non-Ex 90Amp

 FR 660V 60A (90A) Plug
FR 660V 60A (90A) Receptacle
FR 660V 60A (90A) Receptacle Gland Bracket (RGB)
FR 660V 60A (90A) Back to Back (B2B)

 FR 1100V 60A (90A) Plug
FR 1100V 60A (90A) Receptacle
FR 1100V 60A (90A) Receptacle Gland Bracket (RGB)
FR 1100V 60A (90A) Back to Back (B2B)

Termination Procedures

660V/1100V 60A/90A Plug
660V/1100V 60A/90A Receptacle
660V/1100V 60A/90A Receptacle Gland Bracket (RGB)



Pilot Orientation

Non-Ex 660V 60A AES Plug

3 Phase 1 Pilot

Pre-Built to Suit Cable Type



Flame Proof Removable Barrel
Part No: 2543

Complete Plug to Suit Cable Type						
(mm ²)	*Ref.	241.1	*Ref.	2S	*Ref.	5 Core
2.5	-	-	(C)	RS3260	(C)	RS3265
4	-	-	-	-	(D)	RS3266
6	(G)	RS3256	(D)	RS3261	(E)	RS3267
10	(H)	RS3257	(D)	RS3262	(F)	RS3268
16	(I)	RS3258	(F)	RS3263	-	-
25	(J)	RS3259	(G)	RS3264	-	-

*Gland Reference Letter

Part Breakdown For Customised Cables; One of Each Type Required



6/20 Style Tube Contact Sets		
(mm ²)	ID (mm)	Stock No.
2.5	2.4	RS2233
4	3.1	RS2234
6	3.8	RS2235
10	4.7	RS2236
16	6.5	RS2237
25	7.5	RS2238

2 AES Barrel
Stock No: RS2232



Compression Gland		
*Ref.	Gland ID	Stock No.
(A)	10-14	RS2239
(B)	14-17	RS2240
(C)	17-20	RS2241
(D)	20-23	RS2242
(E)	23-26	RS2243
(F)	26-29	RS2244
(G)	29-32	RS2245
(H)	32-35	RS2246
(I)	35-38	RS2247
(J)	38-41	RS2248



3 AES 660V Plug Body
Stock No: RS3270

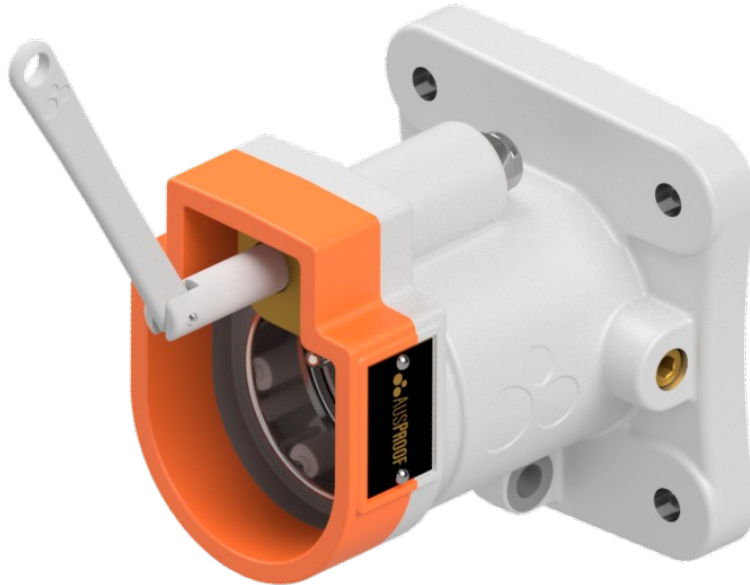
*Gland Reference Letter



Pilot Orientation

Non-Ex 660V 60A AES Receptacle

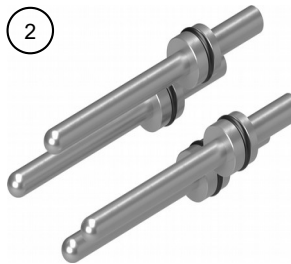
3 Phase 1 Pilot



Complete Receptacle to Suit mm ² Cable	
(mm ²)	(Jack In) Stock No.
2.5	RS3271
4	RS3272
6	RS3273
10	RS3274
16	RS3275
25	RS3276

Part Breakdown For Customised Cables; One of Each Type Required

1 AES 660V Receptacle Body
Stock No: RS3277



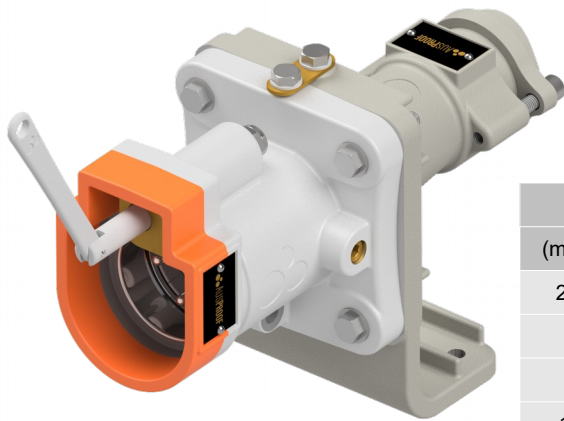
6/20 Style Pins Contact Sets		
(mm ²)	ID (mm)	Stock No.
2.5	2.4	RS2251
4	3.1	RS2252
6	3.8	RS2253
10	4.7	RS2254
16	6.5	RS2255
25	7.5	RS2256

3 AES Receptacle Cage
Stock No: RS3278



Non-Ex 660V 60A Receptacle Gland Bracket (RGB)

3 Phase 1 Pilot

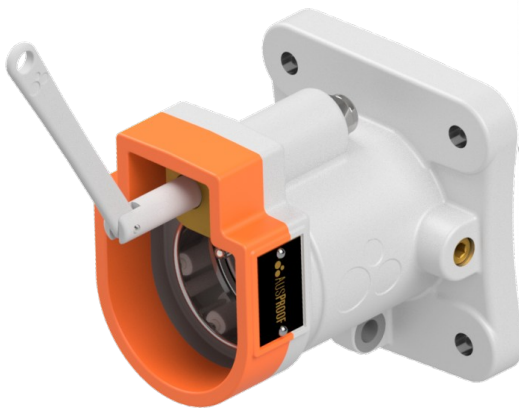


Complete Receptacle Gland Bracket to Suit Cable Type						
(mm ²)	*Ref.	241.1	*Ref.	2S	*Ref.	5 Core
2.5	-	-	(C)	RS3283	(C)	RS3288
4	-	-	-	-	(D)	RS3289
6	(G)	RS3279	(D)	RS3284	(E)	RS3290
10	(H)	RS3280	(D)	RS3285	(F)	RS3291
16	(I)	RS3281	(F)	RS3286	-	-
25	(J)	RS3282	(G)	RS3287	-	-

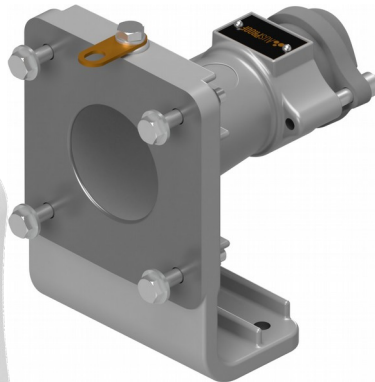
*Gland Reference Letter

Part Breakdown For Customised Cables; One of Each Type Required

1 AES 660V 60A Receptacle
Stock No: Refer to Page 4



2 AES Gland Bracket Body Kit
Stock No: RS2259



3



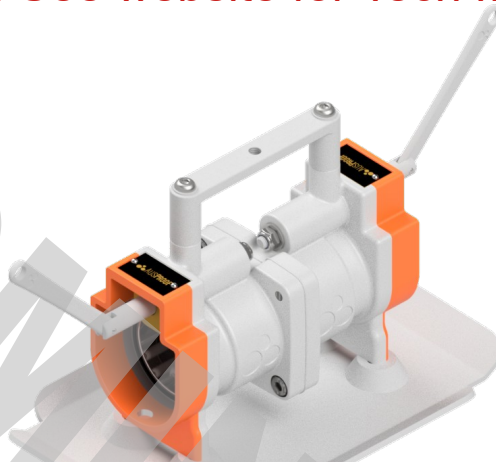
Compression Gland		
*Ref.	Gland ID	Stock No.
(A)	10-14	RS2239
(B)	14-17	RS2240
(C)	17-20	RS2241
(D)	20-23	RS2242
(E)	23-26	RS2243
(F)	26-29	RS2244
(G)	29-32	RS2245
(H)	32-35	RS2246
(I)	35-38	RS2247
(J)	38-41	RS2248

*Gland Reference Letter

Non-Ex 660V 60A Back To Back (B2B)

3 Phase 1 Pilot

Flameproof Range Available NOW! 100% Compatible With New AL Range. See website for Tech Manual #473

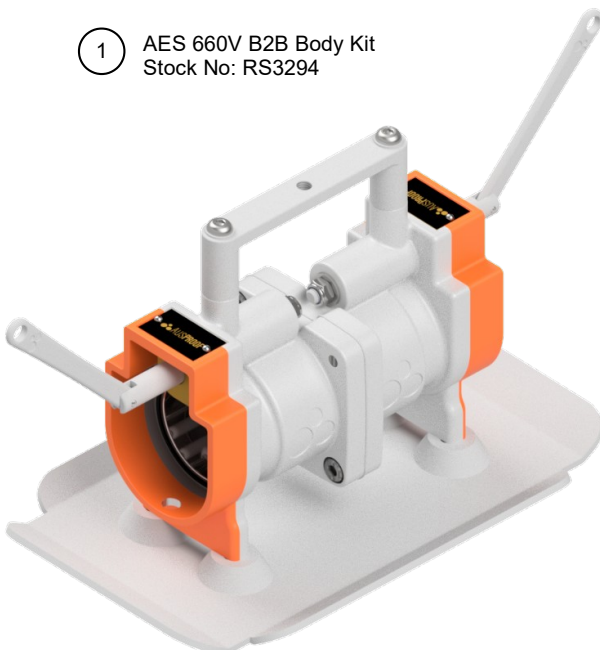


Complete Back to Back

Stock No: RS3293

Part Breakdown For Customised Cables; One of Each Type Required

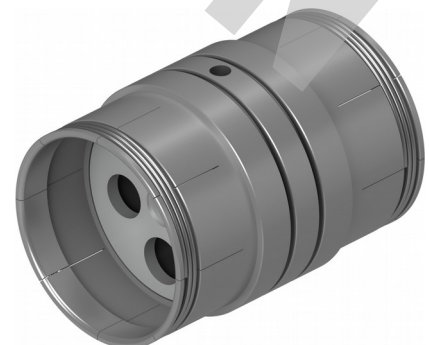
1 AES 660V B2B Body Kit
Stock No: RS3294



2 AES B2B Contact/Insulator Set
Stock No: RS2450



3 AES B2B Cage Kit
Stock No: RS3295



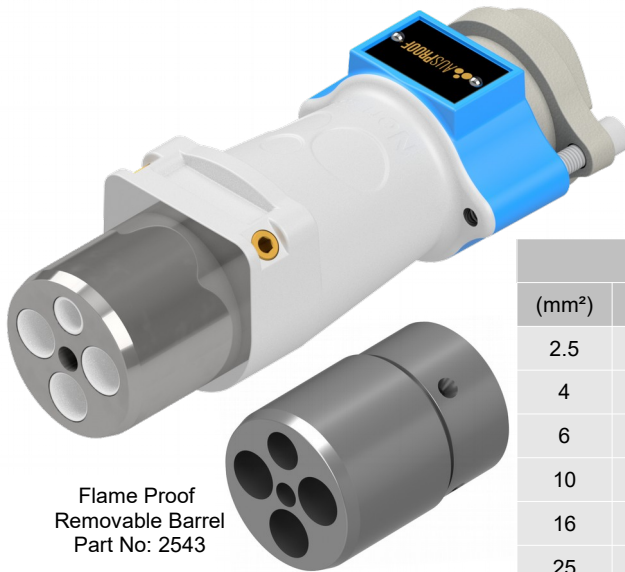


Pilot Orientation

Non-Ex 1100V 60A AES Plug

3 Phase 1 Pilot

Pre-Built to Suit Cable Type



Flame Proof
Removable Barrel
Part No: 2543

Complete Plug to Suit Cable Type						
(mm ²)	*Ref.	241.1	*Ref.	2S	*Ref.	5 Core
2.5	-	-	(C)	RS3300	(C)	RS3305
4	-	-	-	-	(D)	RS3306
6	(G)	RS3296	(D)	RS3301	(E)	RS3307
10	(H)	RS3297	(D)	RS3302	(F)	RS3308
16	(I)	RS3298	(F)	RS3303	-	-
25	(J)	RS3299	(G)	RS3304	-	-

*Gland Reference Letter

Part Breakdown For Customised Cables; One of Each Type Required



6/20 Style Tube Contact Sets		
(mm ²)	ID (mm)	Stock No.
2.5	2.4	RS2233
4	3.1	RS2234
6	3.8	RS2235
10	4.7	RS2236
16	6.5	RS2237
25	7.5	RS2238

2 AES Barrel
Stock No: RS2232



3 AES 1100V Plug Body
Stock No: RS3309



Compression Gland		
*Ref.	Gland ID	Stock No.
(A)	10-14	RS2239
(B)	14-17	RS2240
(C)	17-20	RS2241
(D)	20-23	RS2242
(E)	23-26	RS2243
(F)	26-29	RS2244
(G)	29-32	RS2245
(H)	32-35	RS2246
(I)	35-38	RS2247
(J)	38-41	RS2248

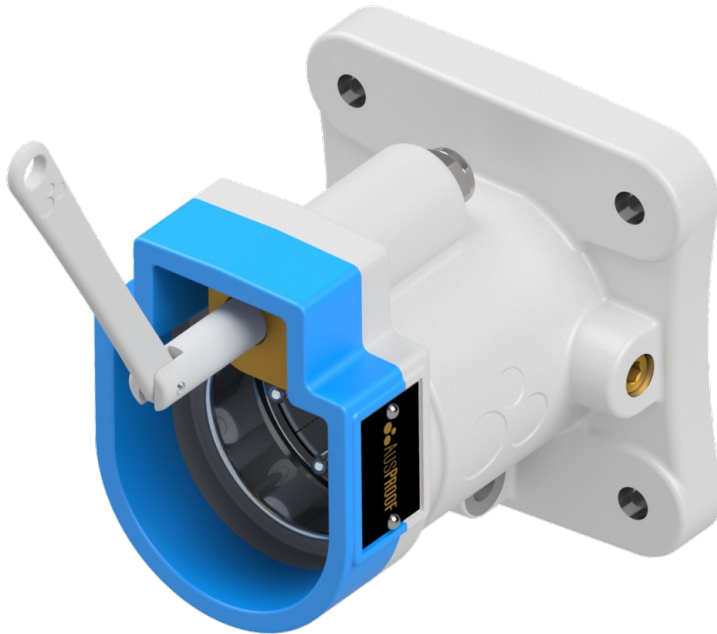
*Gland Reference Letter



Pilot Orientation

Non-Ex 1100V 60A AES Receptacle

3 Phase 1 Pilot

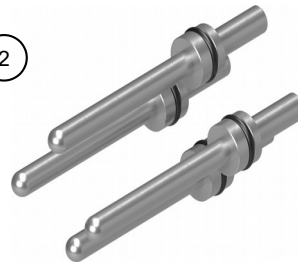


Complete Receptacle to Suit mm ² Cable	
(mm ²)	(Jack In) Stock No.
2.5	RS3310
4	RS3311
6	RS3312
10	RS3313
16	RS3314
25	RS3315

Part Breakdown For Customised Cables; One of Each Type Required

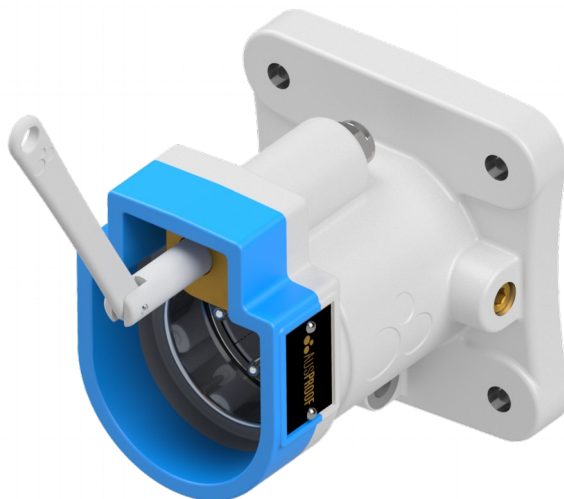
1 AES 1100V Receptacle Body
Stock No: RS3316

2



3

AES Receptacle Cage
Stock No: RS3278

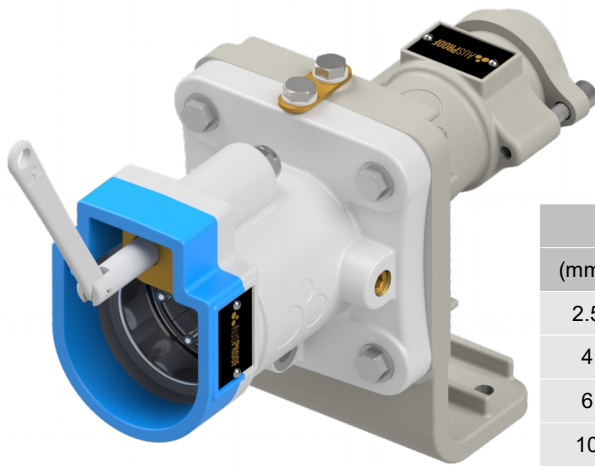


6/20 Style Pins Contact Sets		
(mm ²)	ID (mm)	Stock No.
2.5	2.4	RS2251
4	3.1	RS2252
6	3.8	RS2253
10	4.7	RS2254
16	6.5	RS2255
25	7.5	RS2256

Non-Ex 1100V 60A Receptacle Gland Bracket (RGB)

3 Phase 1 Pilot

Pre-Built to Suit Cable Type



Complete Receptacle Gland Bracket to Suit Cable Type						
(mm ²)	*Ref.	241.1	*Ref.	2S	*Ref.	5 Core
2.5	-	-	(C)	RS3321	(C)	RS3326
4	-	-	-	-	(D)	RS3327
6	(G)	RS3317	(D)	RS3322	(E)	RS3328
10	(H)	RS3318	(D)	RS3323	(F)	RS3329
16	(I)	RS3319	(F)	RS3324	-	-
25	(J)	RS3320	(G)	RS3325	-	-

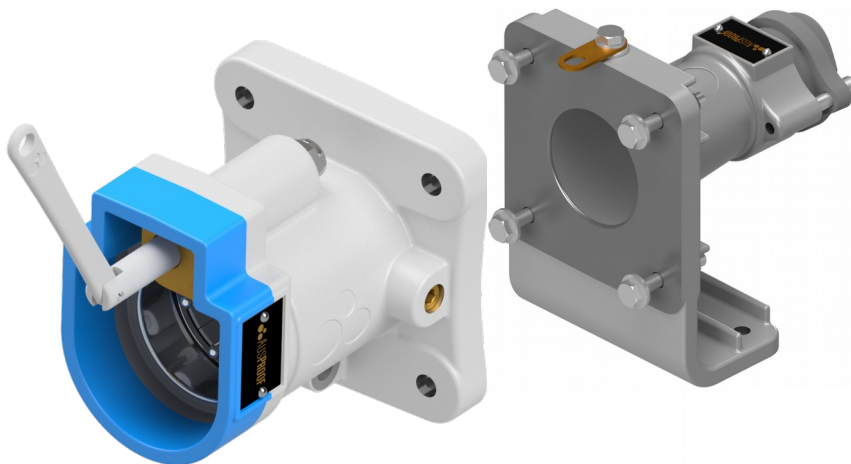
*Gland Reference Letter

Part Breakdown For Customised Cables; One of Each Type Required

1 AES 1100V 60A Receptacle
Stock No: Refer to Page 8

2 AES Gland Bracket Body Kit
Stock No: RS2259

3



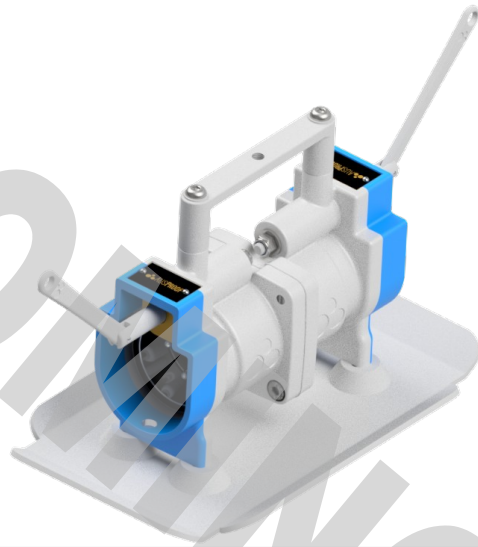
Compression Gland		
*Ref.	Gland ID	Stock No.
(A)	10-14	RS2239
(B)	14-17	RS2240
(C)	17-20	RS2241
(D)	20-23	RS2242
(E)	23-26	RS2243
(F)	26-29	RS2244
(G)	29-32	RS2245
(H)	32-35	RS2246
(I)	35-38	RS2247
(J)	38-41	RS2248

*Gland Reference Letter

Non-Ex 1100V 60A Back To Back (B2B)

3 Phase 1 Pilot

Flameproof Range Available NOW! 100% Compatible With New AL Range. See website for Tech Manual #473



Complete Back to Back

Stock No: RS3330

Part Breakdown For Customised Cables; One of Each Type Required

1 AES 1100V B2B Body Kit
Stock No: RS3331



2 AES B2B Contact/Insulator Set
Stock No: RS2450



3 AES B2B Cage Kit
Stock No: RS3295





Pilot Orientation

FR 660V 60A (90A) AES Plug (Non-Ex)

3 Phase 1 Pilot

Pre-Built to Suit Cable Type



Flame Proof
Removable Barrel
Part No: 2543

Complete Plug to Suit Cable Type						
(mm ²)	*Ref.	241.1	*Ref.	2S	*Ref.	5 Core
2.5	-	-	(C)	RS3260FR	(C)	RS3265FR
4	-	-	-	-	(D)	RS3266FR
6	(G)	RS3256FR	(D)	RS3261FR	(E)	RS3267FR
10	(H)	RS3257FR	(D)	RS3262FR	(F)	RS3268FR
16	(I)	RS3258FR	(F)	RS3263FR	-	-
25	(J)	RS3259FR	(G)	RS3264FR	-	-

*Gland Reference Letter

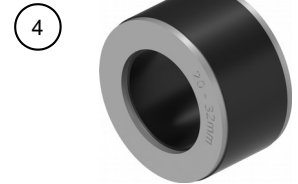
Part Breakdown For Customised Cables; One of Each Type Required



6/20 Style Tube Contact Sets		
(mm ²)	ID (mm)	Stock No.
2.5	2.4	RS2233
4	3.1	RS2234
6	3.8	RS2235
10	4.7	RS2236
16	6.5	RS2237
25	7.5	RS2238



2 AES Barrel
Stock No: RS2232



Compression Gland		
*Ref.	Gland ID	Stock No.
(A)	10-14	RS2239
(B)	14-17	RS2240
(C)	17-20	RS2241
(D)	20-23	RS2242
(E)	23-26	RS2243
(F)	26-29	RS2244
(G)	29-32	RS2245
(H)	32-35	RS2246
(I)	35-38	RS2247
(J)	38-41	RS2248



3 AES 660V FR Plug Body
Stock No: RS3270FR

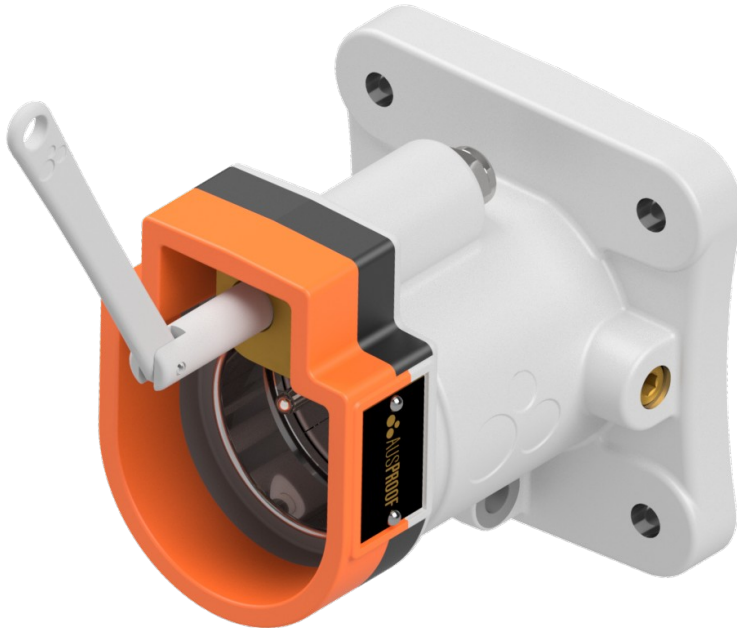
*Gland Reference Letter



Pilot Orientation

FR 660V 60A (90A) AES Receptacle (Non-EX)

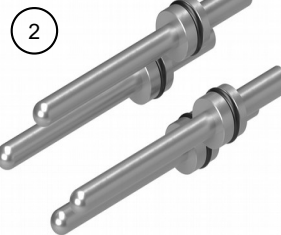
3 Phase 1 Pilot



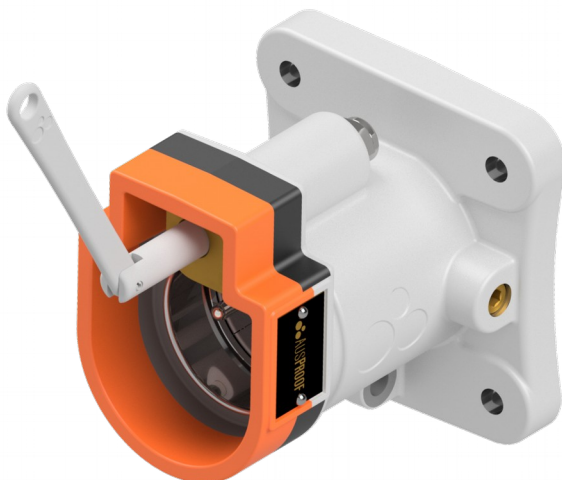
Complete Receptacle to Suit mm ² Cable	
(mm ²)	(Jack In) Stock No.
2.5	RS3271FR
4	RS3272FR
6	RS3273FR
10	RS3274FR
16	RS3275FR
25	RS3276FR

Part Breakdown For Customised Cables; One of Each Type Required

1 AES 660V FR Receptacle Body
Stock No: RS3277FR



3 AES Receptacle Cage
Stock No: RS3278



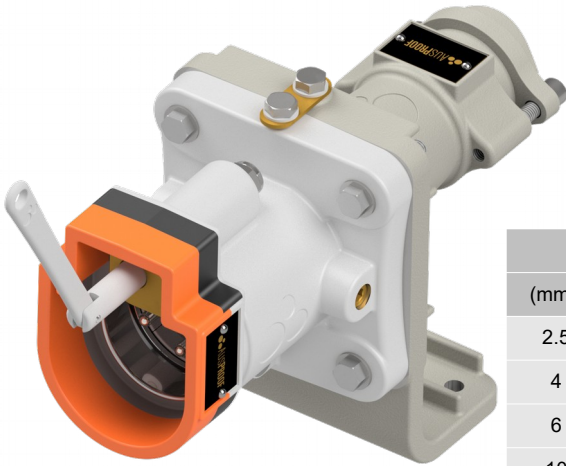
6/20 Style Pins Contact Sets		
(mm ²)	ID (mm)	Stock No.
2.5	2.4	RS2251
4	3.1	RS2252
6	3.8	RS2253
10	4.7	RS2254
16	6.5	RS2255
25	7.5	RS2256



FR 660V 60A (90A) Receptacle Gland Bracket (Non-Ex)

3 Phase 1 Pilot

Pre-Built to Suit Cable Type



Complete Receptacle Gland Bracket to Suit Cable Type						
(mm ²)	*Ref.	241.1	*Ref.	2S	*Ref.	5 Core
2.5	-	-	(C)	RS3283FR	(C)	RS3288FR
4	-	-	-	-	(D)	RS3289FR
6	(G)	RS3279FR	(D)	RS3284FR	(E)	RS3290FR
10	(H)	RS3280FR	(D)	RS3285FR	(F)	RS3291FR
16	(I)	RS3281FR	(F)	RS3286FR	-	-
25	(J)	RS3282FR	(G)	RS3287FR	-	-

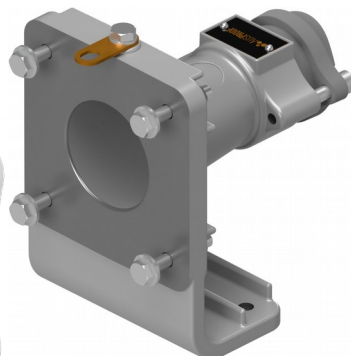
*Gland Reference Letter

Part Breakdown For Customised Cables; One of Each Type Required

1 AES 660V 90A FR Receptacle
Stock No: Refer to Page 12



2 AES Gland Bracket Body Kit
Stock No: RS2259

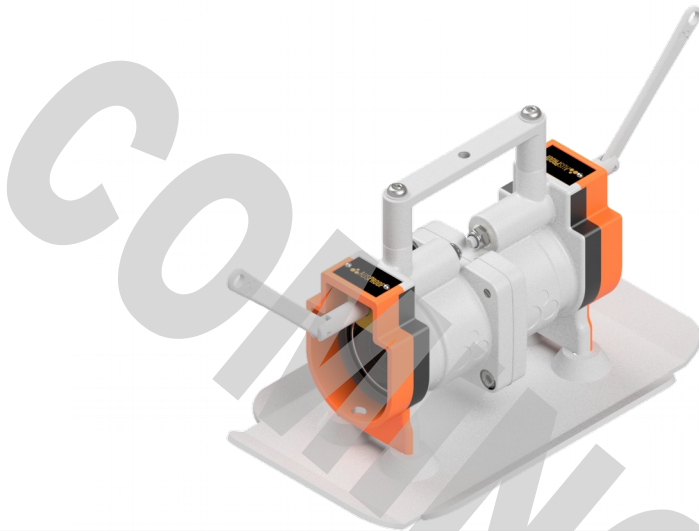


Compression Gland		
*Ref.	Gland ID	Stock No.
(A)	10-14	RS2239
(B)	14-17	RS2240
(C)	17-20	RS2241
(D)	20-23	RS2242
(E)	23-26	RS2243
(F)	26-29	RS2244
(G)	29-32	RS2245
(H)	32-35	RS2246
(I)	35-38	RS2247
(J)	38-41	RS2248

*Gland Reference Letter

FR 660V 60A (90A) AES Back To Back (Non-Ex)
3 Phase 1 Pilot

Flameproof Range Available NOW! 100% Compatible With
New AL Range. See website for Tech Manual #473

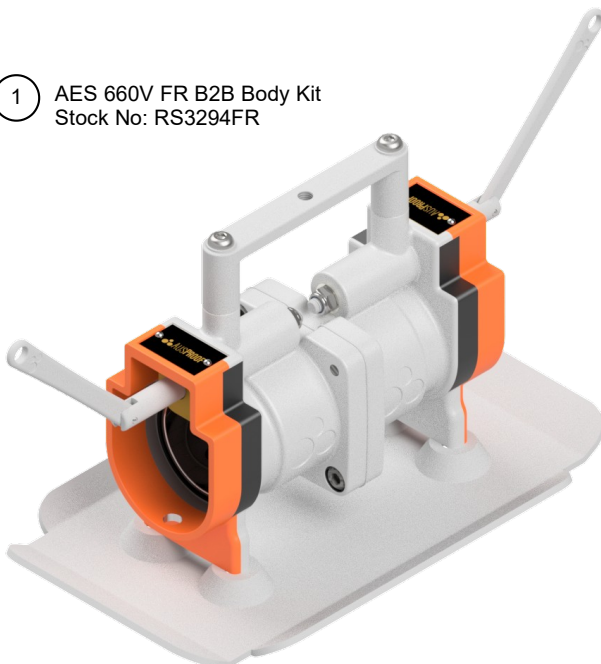


Complete Back to Back

Stock No: RS3293FR

Part Breakdown For Customised Cables; One of Each Type Required

1 AES 660V FR B2B Body Kit
Stock No: RS3294FR



2 AES B2B Contact/Insulator Set
Stock No: RS2450



3 AES B2B Cage Kit
Stock No: RS3295



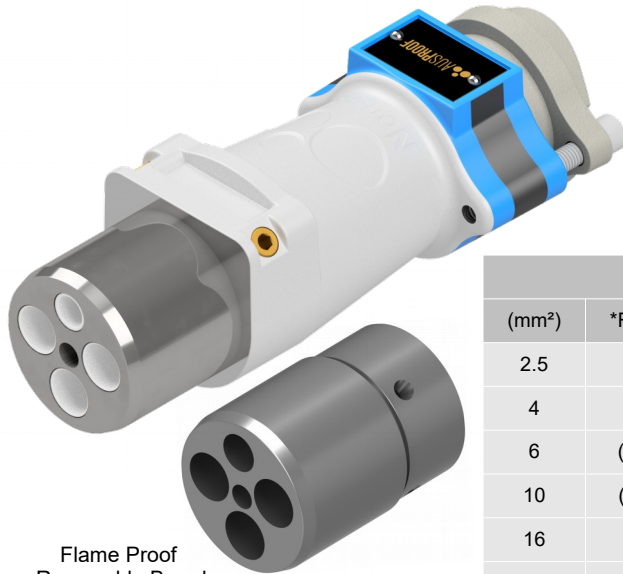


Pilot Orientation

FR 1100V 60A (90A) AES Plug (Non-Ex)

3 Phase 1 Pilot

Pre-Built to Suit Cable Type



Flame Proof
Removable Barrel
Part No: 2543

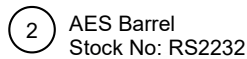
Complete Plug to Suit Cable Type						
(mm ²)	*Ref.	241.1	*Ref.	2S	*Ref.	5 Core
2.5	-	-	(C)	RS3300FR	(C)	RS3305FR
4	-	-	-	-	(D)	RS3306FR
6	(G)	RS3296FR	(D)	RS3301FR	(E)	RS3307FR
10	(H)	RS3297FR	(D)	RS3302FR	(F)	RS3308FR
16	(I)	RS3298FR	(F)	RS3303FR	-	-
25	(J)	RS3299FR	(G)	RS3304FR	-	-

*Gland Reference Letter

Part Breakdown For Customised Cables; One of Each Type Required



6/20 Style Tube Contact Sets		
(mm ²)	ID (mm)	Stock No.
2.5	2.4	RS2233
4	3.1	RS2234
6	3.8	RS2235
10	4.7	RS2236
16	6.5	RS2237
25	7.5	RS2238



3 AES 1100V FR Plug Body
Stock No: RS3309FR



Compression Gland		
*Ref.	Gland ID	Stock No.
(A)	10-14	RS2239
(B)	14-17	RS2240
(C)	17-20	RS2241
(D)	20-23	RS2242
(E)	23-26	RS2243
(F)	26-29	RS2244
(G)	29-32	RS2245
(H)	32-35	RS2246
(I)	35-38	RS2247
(J)	38-41	RS2248

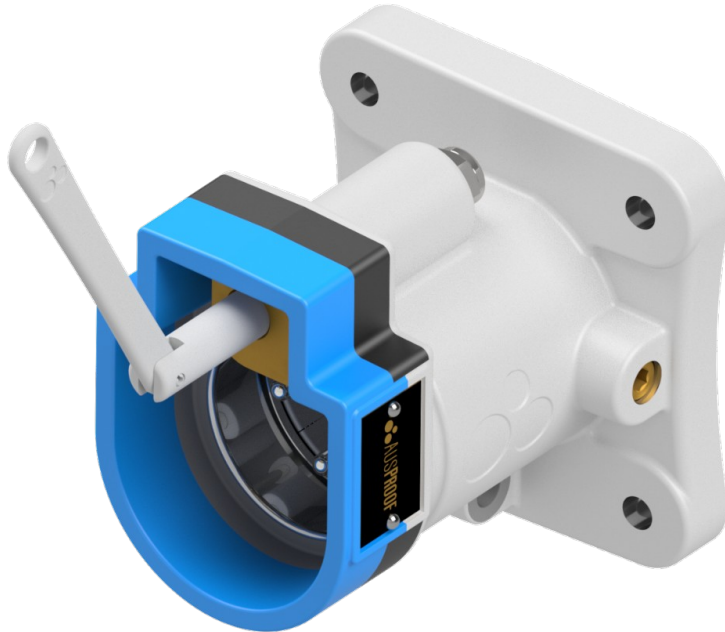
*Gland Reference Letter



Pilot Orientation

FR 1100V 60A (90A) AES Receptacle (Non-Ex)

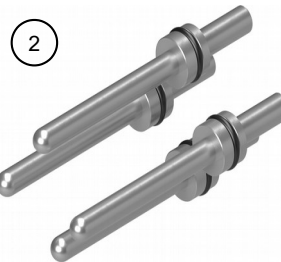
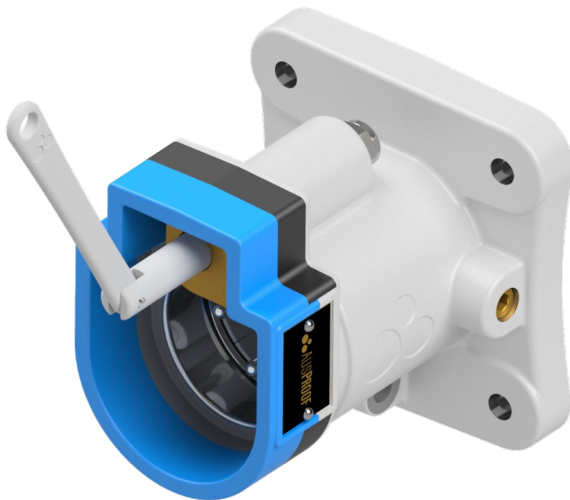
3 Phase 1 Pilot



Complete Receptacle to Suit Cable	
(mm ²)	(Jack In) Stock No.
2.5	RS3310FR
4	RS3311FR
6	RS3312FR
10	RS3313FR
16	RS3314FR
25	RS3315FR

Part Breakdown For Customised Cables; One of Each Type Required

1 AES 1100V Receptacle Body
Stock No: RS3316FR



3 AES Receptacle Cage
Stock No: RS3278

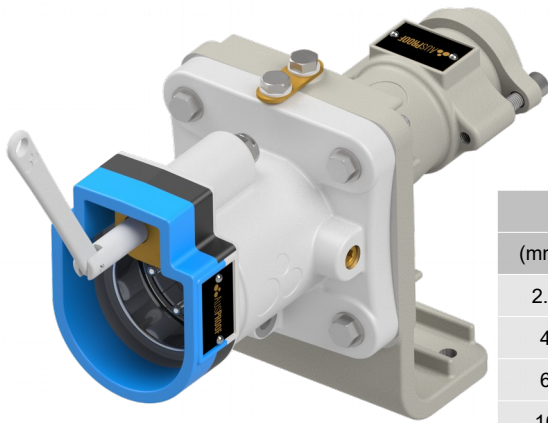


6/20 Style Pins Contact Sets		
(mm ²)	ID (mm)	Stock No.
2.5	2.4	RS2251
4	3.1	RS2252
6	3.8	RS2253
10	4.7	RS2254
16	6.5	RS2255
25	7.5	RS2256

FR 1100V 60A (90A) Receptacle Gland Bracket (Non-Ex)

3 Phase 1 Pilot

Pre-Built to Suit Cable Type

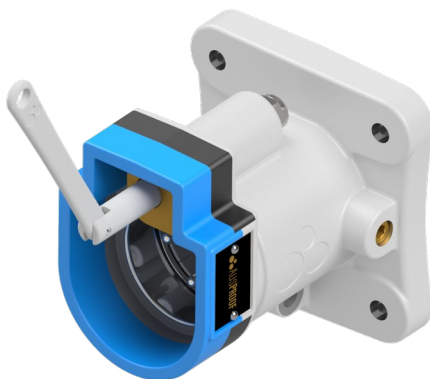


Complete Receptacle Gland Bracket to Suit Cable Type						
(mm ²)	*Ref.	241.1	*Ref.	2S	*Ref.	5 Core
2.5	-	-	(C)	RS3321FR	(C)	RS3326FR
4	-	-	-	-	(D)	RS3327FR
6	(G)	RS3317FR	(D)	RS3322FR	(E)	RS3328FR
10	(H)	RS3318FR	(D)	RS3323FR	(F)	RS3329FR
16	(I)	RS3319FR	(F)	RS3324FR	-	-
25	(J)	RS3320FR	(G)	RS3325FR	-	-

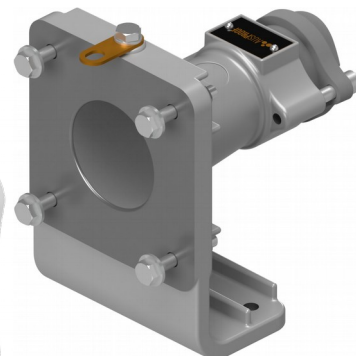
*Gland Reference Letter

Part Breakdown For Customised Cables; One of Each Type Required

① AES 1100V 90A FR Receptacle
Stock No: Refer to Page 16



② AES Gland Bracket Body Kit
Stock No: RS2259



③



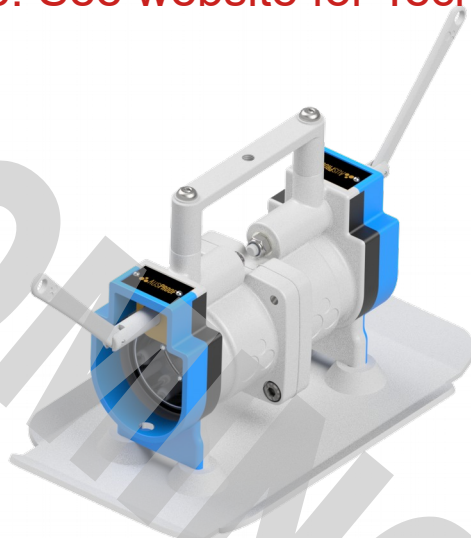
Compression Gland		
*Ref.	Gland ID	Stock No.
(A)	10-14	RS2239
(B)	14-17	RS2240
(C)	17-20	RS2241
(D)	20-23	RS2242
(E)	23-26	RS2243
(F)	26-29	RS2244
(G)	29-32	RS2245
(H)	32-35	RS2246
(I)	35-38	RS2247
(J)	38-41	RS2248

*Gland Reference Letter

FR 1100V 60A (90A) Back To Back (Non-Ex)

3 Phase 1 Pilot

Flameproof Range Available NOW! 100% Compatible With New AL Range. See website for Tech Manual #473



Complete Back to Back

Stock No: RS3330FR

Part Breakdown For Customised Cables; One of Each Type Required

1 AES 1100V FR B2B Body Kit
Stock No: RS3331FR



2 AES B2B Contact/Insulator Set
Stock No: RS2450



3 AES B2B Cage Kit
Stock No: RS3295



Termination Procedure

660V/1100V 60A/90A Plug; 3 Phase + 1 Pilot



Pilot Orientation

1 Remove outer sheath 100mm

2

3

(3.1) Fitting Retaining Ring + Insulator Bushes Before Termination of Contacts

(3.2) Crimp Contacts at Approx. 3mm In From End

4

Crimp Cable Lugs to Earth Conductors and Terminate Earths

(4.1) Fit Front Insulators + O-Rings To Insulator Bushes

(4.2) Slide Front Barrel Over Insulators And Torque Cap Screw to 8Nm onto Retaining Ring

5

(5.1) Install Front Barrel Assembly Into Plug Body, Set Pilot Orientation

(5.2) Torque to 8Nm

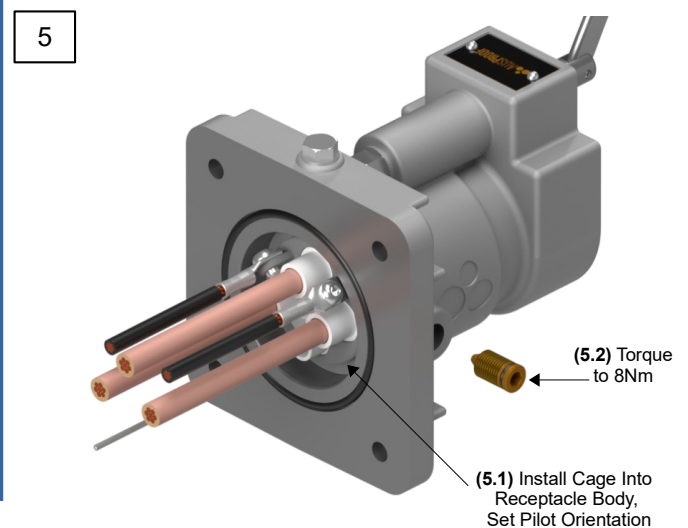
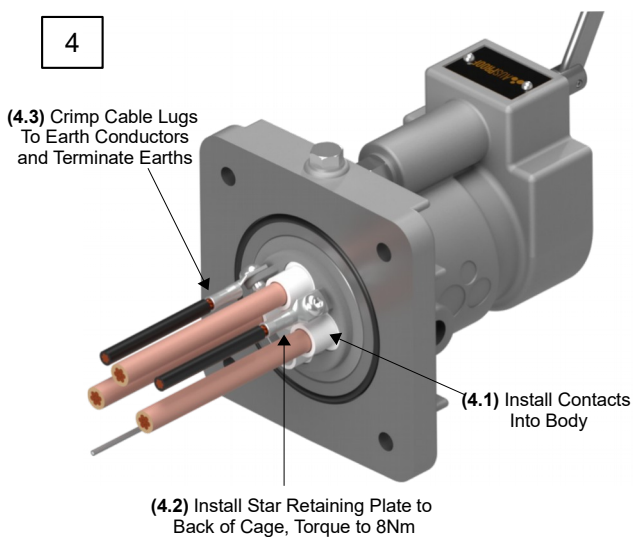
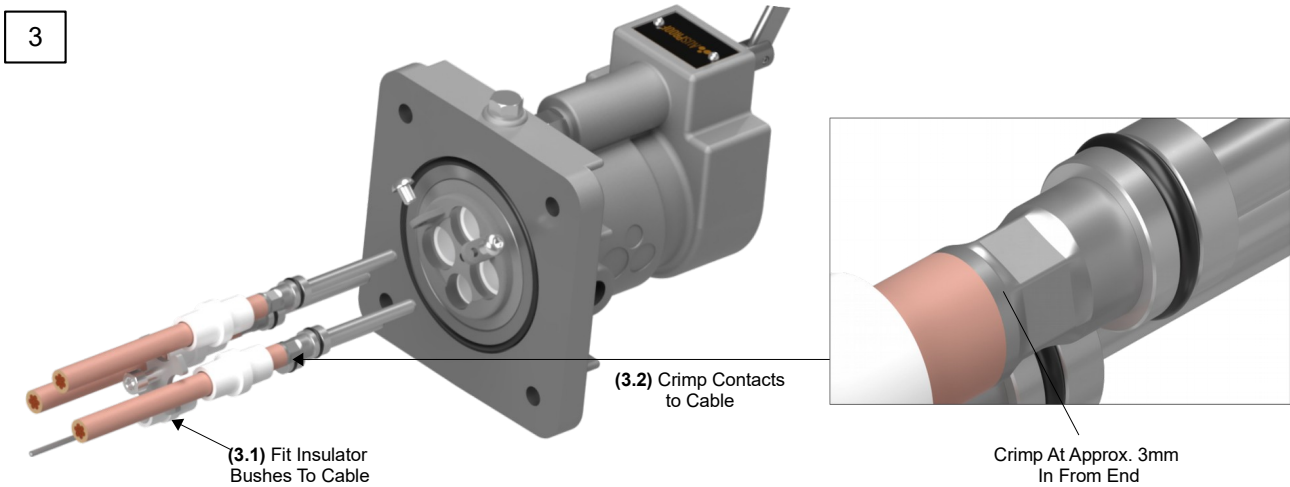
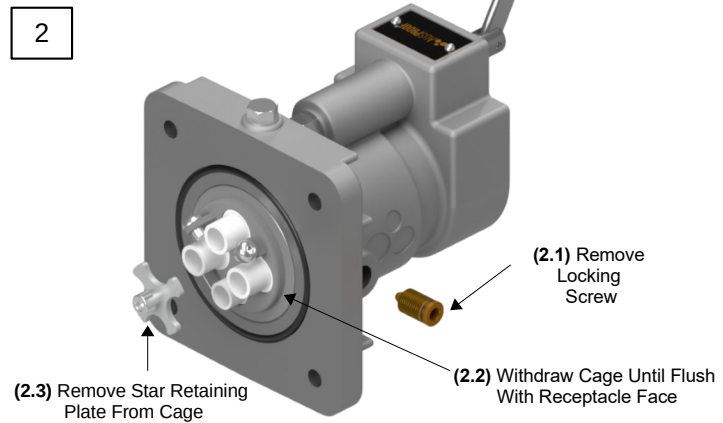
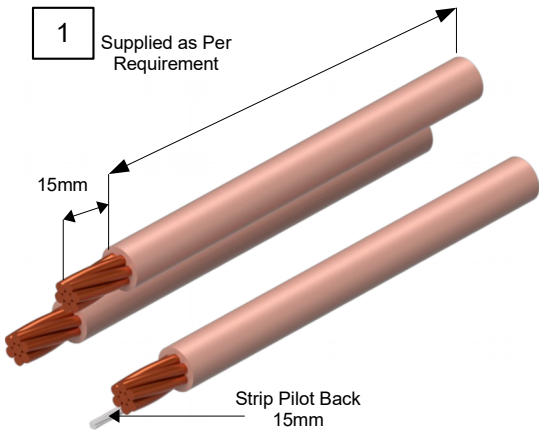
(5.3) Tighten Clamp Bolts to Compress the Comp Gland Securely onto Cable Outer Sheath



Pilot Orientation

Termination Procedure

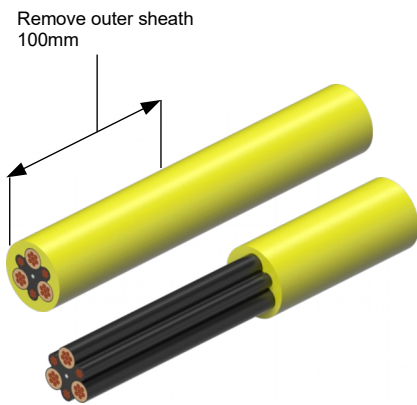
660V/1100V 60A/90A Plug; 3 Phase + 1 Pilot



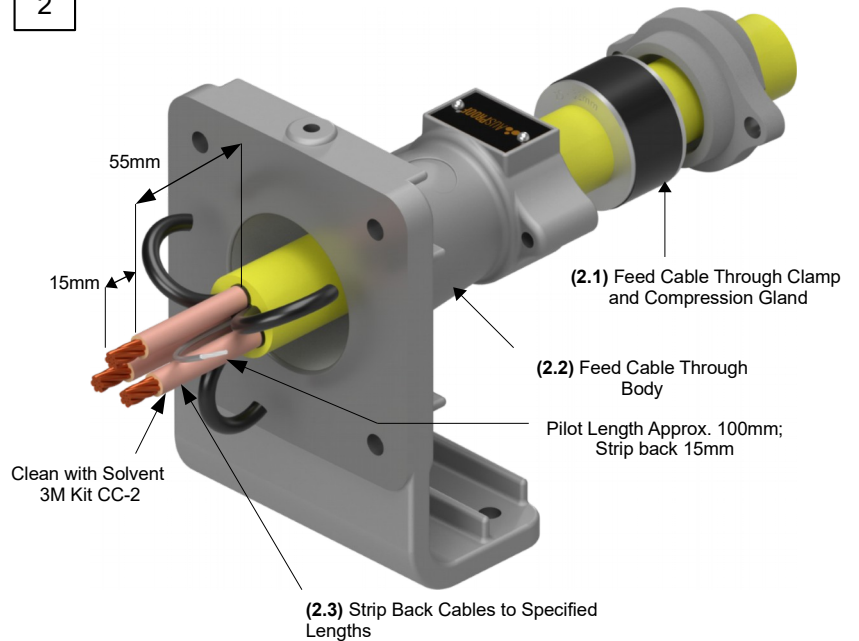
Termination Procedure

660V/1100V 60A/90A Receptacle Gland Bracket; 3 Phase + 1 Pilot

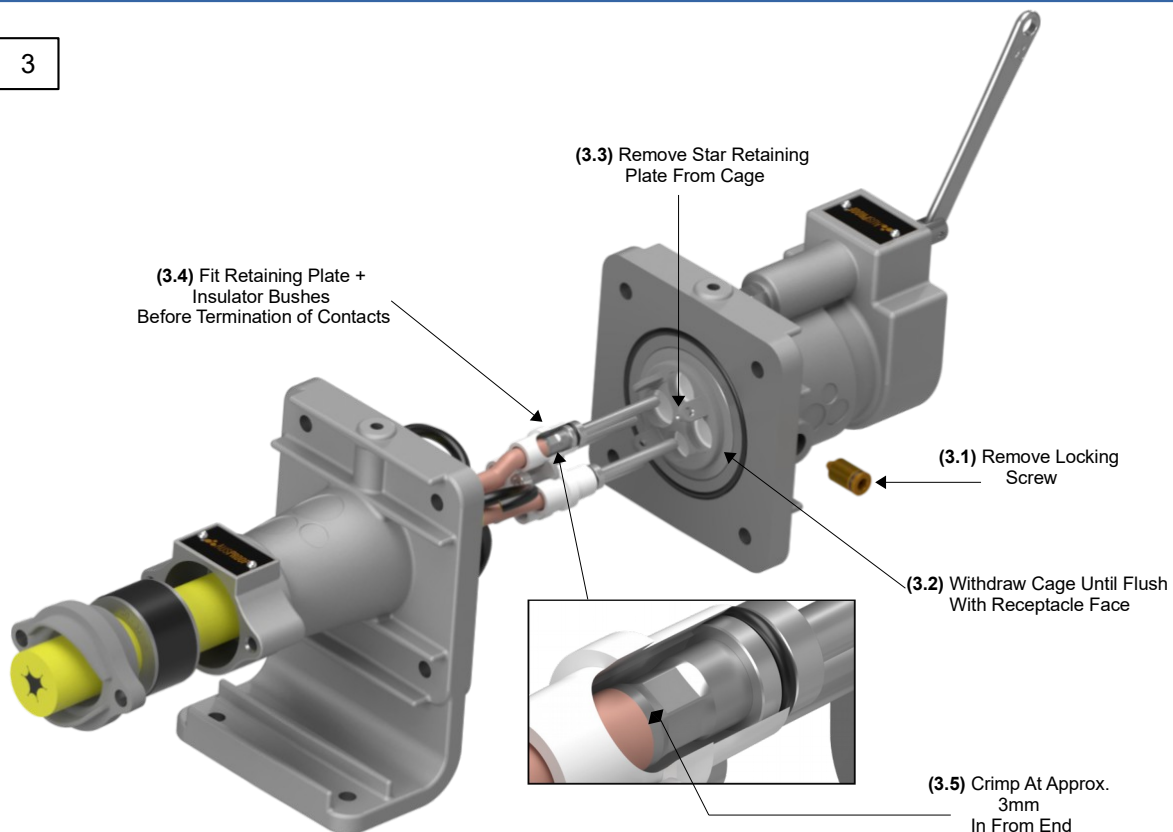
1



2



3



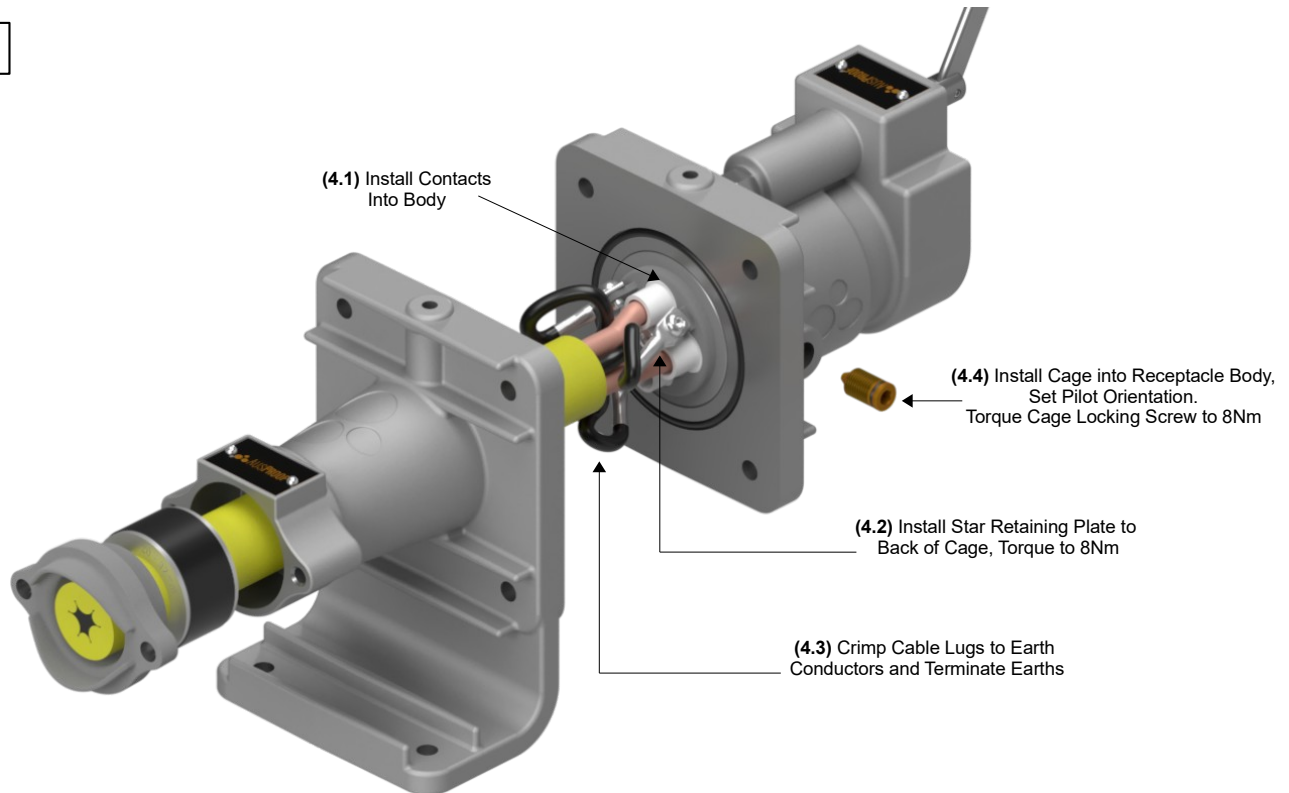


Pilot Orientation

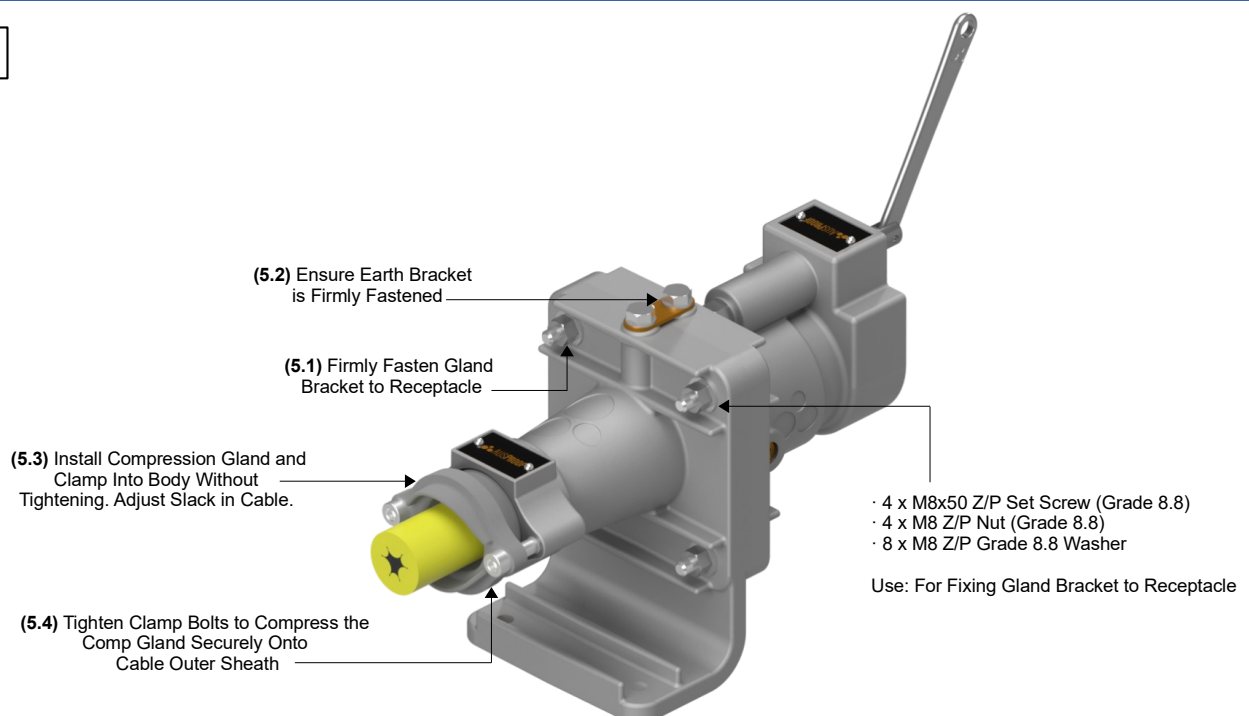
Termination Procedure

660V/1100V 60A/90A Receptacle Gland Bracket; 3 Phase + 1 Pilot

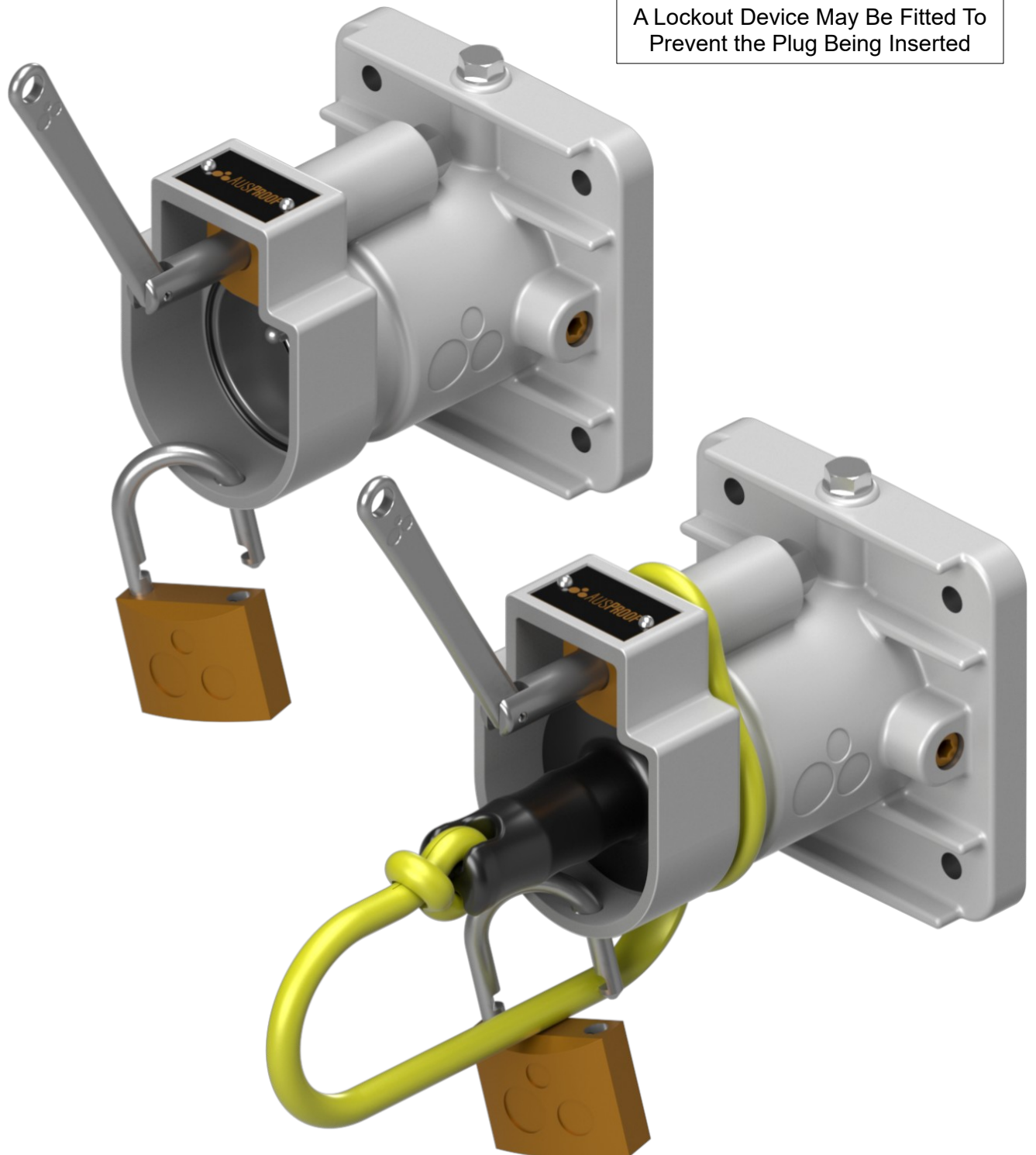
4



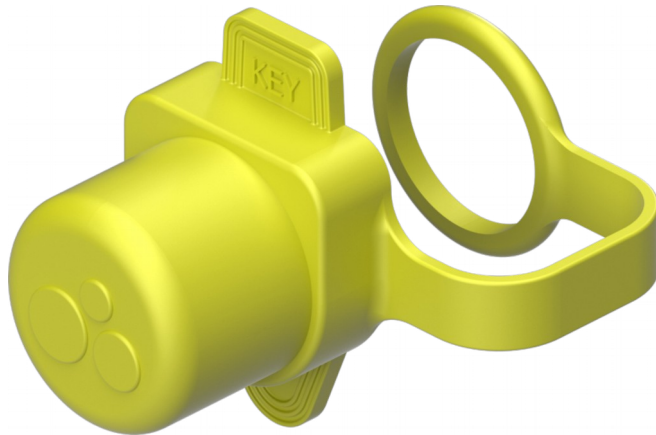
5



AES Range Lockout Device Location



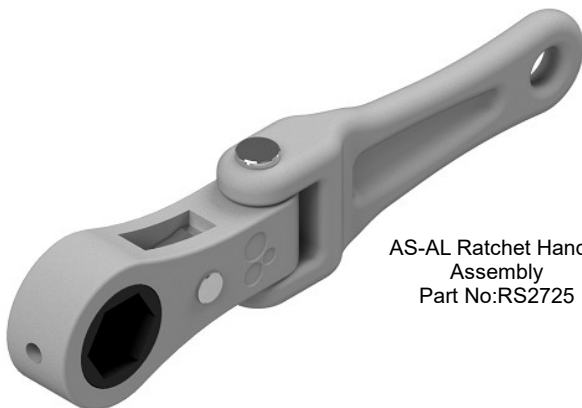
AES Range Plug and Receptacle Accessories



60A/90A
Plug Cover
Part No: 3208

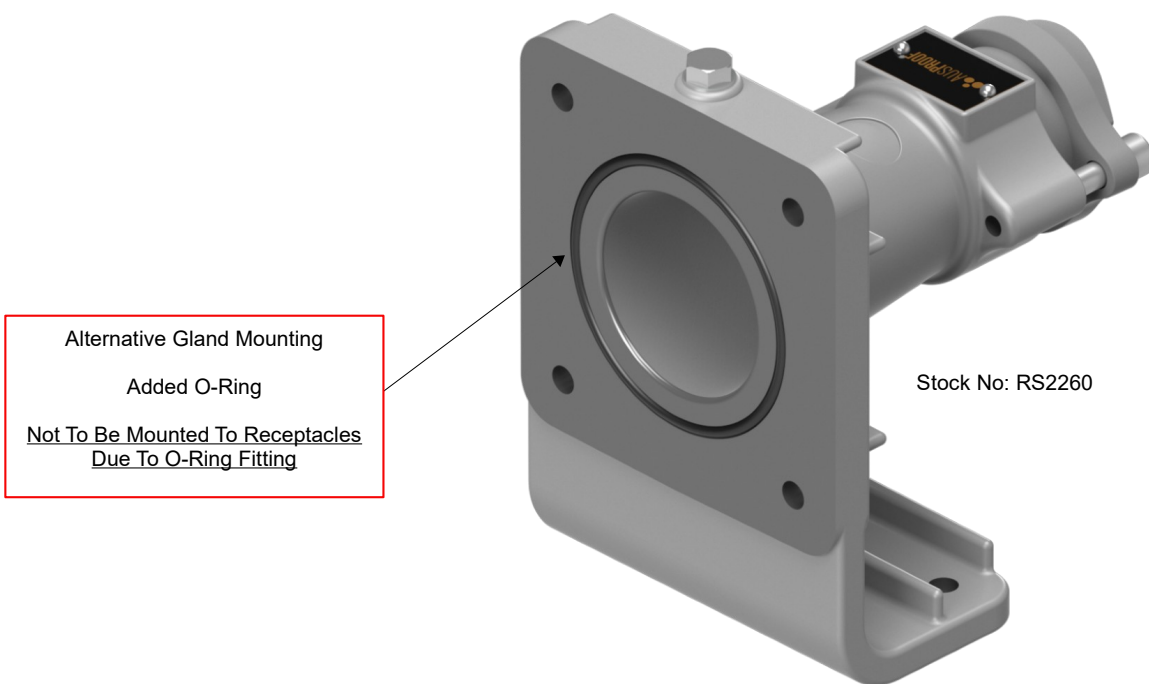


60A/90A
Receptacle Protective Bung
Stock No: RS1855



AS-AL Ratchet Handle
Assembly
Part No:RS2725

AES Range Receptacle Accessories



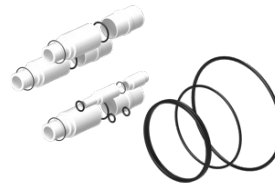
AES Range Plug and Receptacle Accessories

OIF (O-Ring, Insulators, and Fasteners) Repair Kits for Plugs and Receptacles



OIF Repair Kits for Plugs	
660V 60A 4 Pin AES Plug, Contact and Insulator SET Style 6/20	Stock Number
2.5 - 25mm	RS3339
1100V 60A 4 Pin AES Plug, Contact and Insulator SET Style 6/20	Stock Number
2.5 - 25mm	RS3339
660V 60A 4 Pin AES Plug, Contact and Insulator SET Style 6/20	Stock Number
2.5 - 25mm	RS3339
1100V 60A 4 Pin AES Plug, Contact and Insulator SET Style 6/20	Stock Number
2.5 - 25mm	RS3339

OIF Barrel Repair Kit for Plug	Stock Number
4 Pin Barrel (RS2232)	RS2477



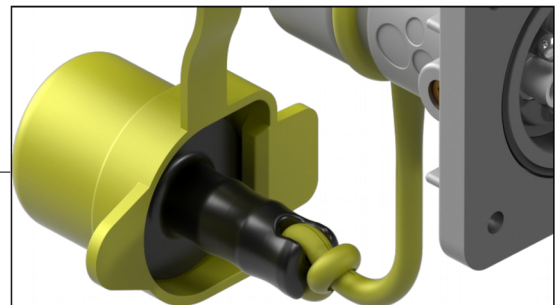
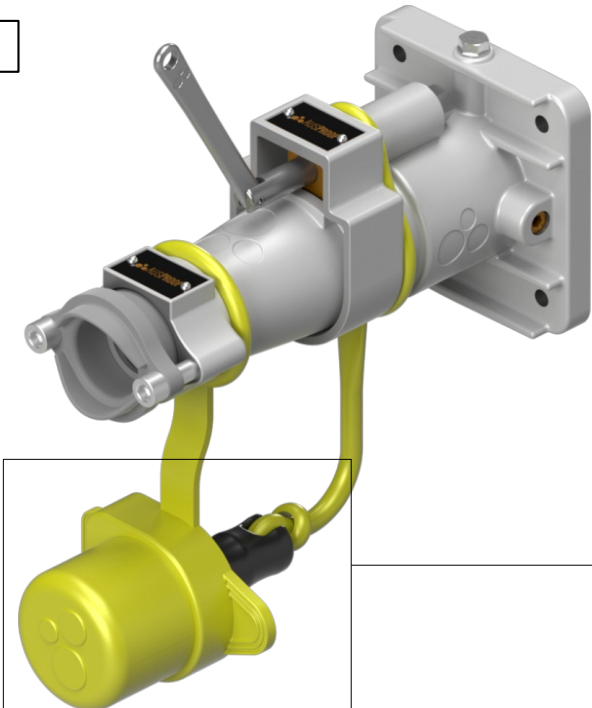
OIF Repair Kits for Receptacles	
660V 60A 4 Pin AES Receptacle, Contact and Insulator SET Style 6/54	Stock Number
10 -95mm	RS3340
1100V 60A 4 Pin AES Receptacle, Contact and Insulator SET Style 6/54	Stock Number
10- 95mm	RS3340
660V 60A 4 Pin AES Receptacle, Contact and Insulator SET Style 6/54	Stock Number
10 -95mm	RS3340
1100V 60A 4 Pin AES Receptacle, Contact and Insulator SET Style 6/54	Stock Number
10 -95mm	RS3340

OIF Cage Repair Kit for Receptacle	Stock Number
4 Pin Barrel (RS2232)	RS2478

AES Range Product Handling

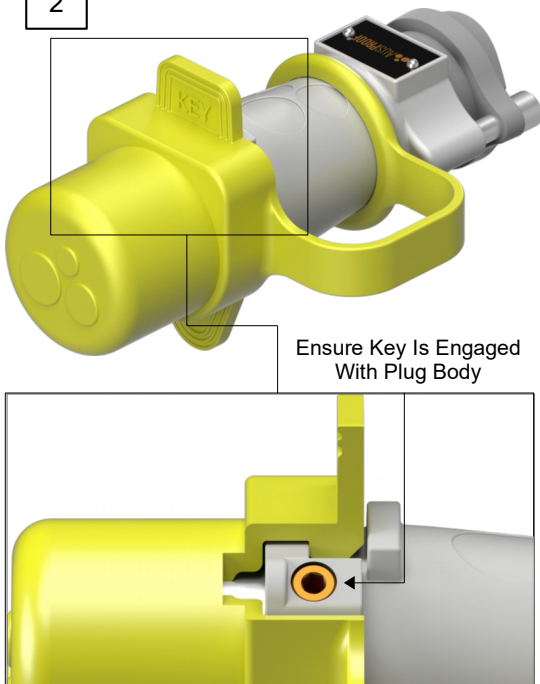
660V/1100V 60A/90A PES Plug And Receptacle

1



When Not In Use, Insert Receptacle Bung Into Silicone Plug Cover. Ensure Bung is Inserted Past the Rubber Key.

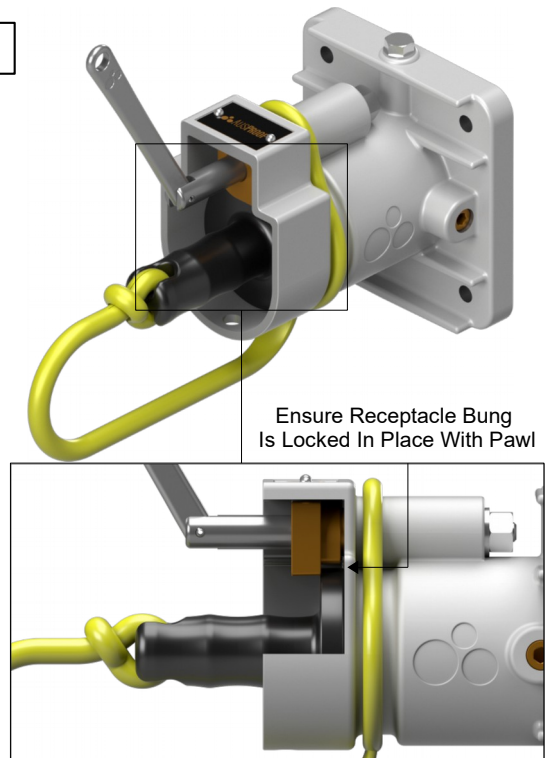
2



Ensure Key Is Engaged With Plug Body

Plug Key Engagement

3

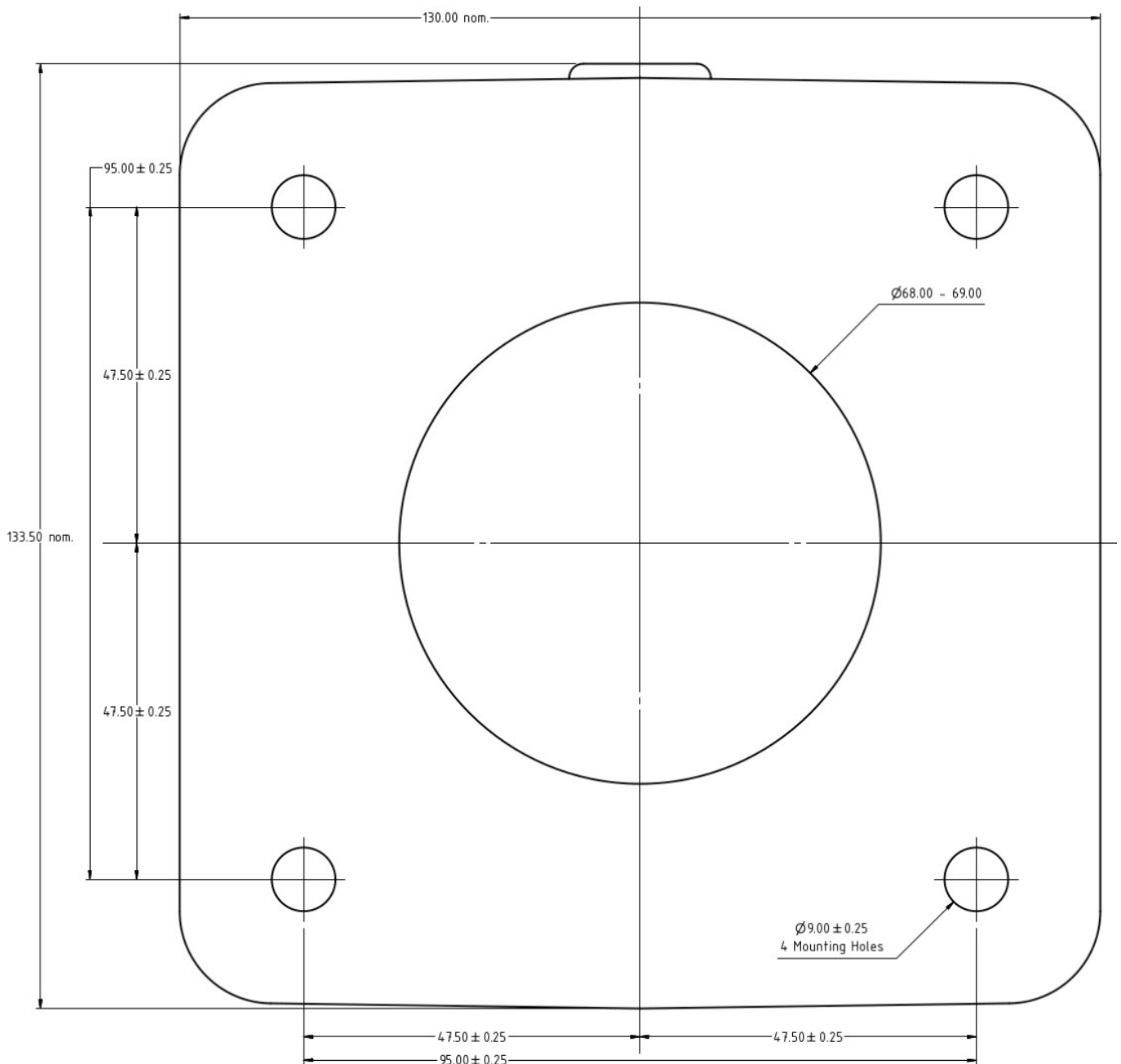


Ensure Receptacle Bung Is Locked In Place With Pawl

Receptacle Key Engagement

AES Receptacle Mounting Profile Drawing

660/1100V 60A/90A AES Receptacle



Maintenance and Safety

Plug and Receptacle System

- To ensure the safe operation of the plug and receptacles, personnel should be aware of minimal ongoing care and maintenance.
- When cables are not in use, ensure that protective covers have been fitted to provide adequate sealing against moisture and dust.
- The plugs and receptacles should never be used as a towing or anchor point.
- Inspect plug and receptacle to ensure no parts are missing, if parts are missing it is deemed unsafe for use.
- Inspect insertion end of plug and entry of receptacle to ensure there is no damage, as damage could compromise the flame path protection
- Before connection inspect sealing ring in receptacle to ensure they are located correctly into groove.
- Before connection of plug and receptacle ensure connecting pins are not bent from previous misuse or incorrect assembly.
- Ensure plug has been inserted fully into receptacle before energising.
- If witness marks are used, make sure they are brightly painted on the sheath, located where the cable enters the gland. This needs to be routinely inspected to check if a gap appears between the end of the gland and the witness mark. A gap may indicate that the cable has been under tension and that the termination in the coupler may have moved.
- The maximum surface temperature the plug will achieve when operating at full rated current at an ambient of 40°C will not exceed 85°C.



**6 Shona Avenue
Gladstone
Queensland 4680**

Phone: +61 7 49784000

**Email: ausproof@ausproof.com.au
Website: <https://www.ausproof.com.au/>**