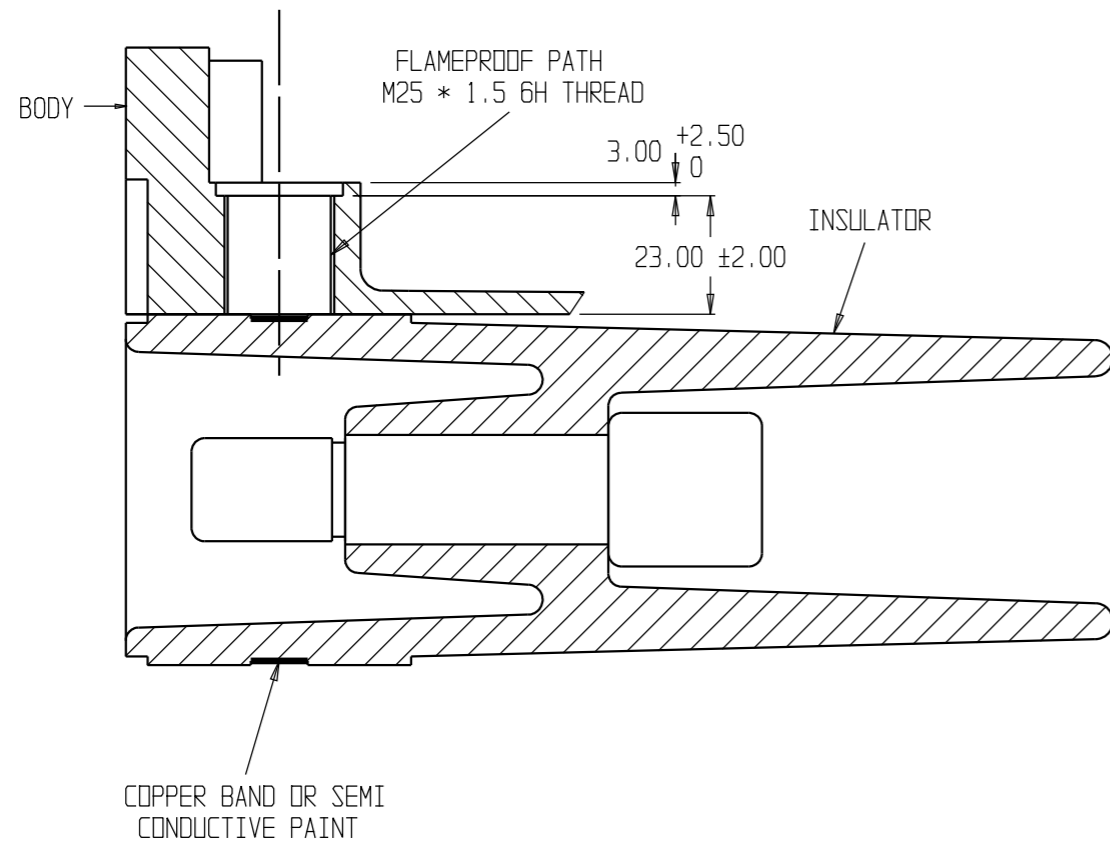


This drawing forms part of the documentation for Certification: ANZEx 13.2007X Issue: 6 Iterations not authorised by Simtars may invalidate this certification.

4	Tolerance Change	15/08/24	TOLERANCES
3	UPDATED LABEL Ex118-C012	20/01/21	UNLESS NOTED ON DIMENSION $\pm 0.1$
2	UPDATED LABEL MARKINGS	07/10/20	
1	ADDED MODEL IDENTIFICATION	11/12/14	
NO	REVISIONS	DATE	

**AUSPROOF PTY LTD**
  
 BODY (CUSTOMER COPY)

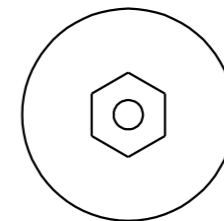
NOT TO BE CHANGED WITHOUT SIMTARS APPROVAL			
FASTENER SCHEDULE SEE DRAWING Ex118B - C008			
DRAWN	PHILIP MARKS	CHECKED	
DATE	14/03/13		
SCALE	DD NDT SCALE	DRAWING NO	Ex118B - C001
NOTE	COPYRIGHT RESERVED	REVISION NO	4



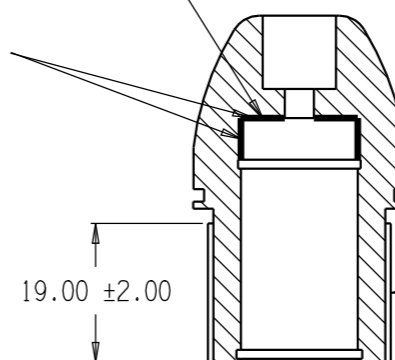
CEMENTED JOINT LENGTH ≥ 10.0 MIN

CEMENTED JOINT BETWEEN HOUSING AND WINDOW  
DOW CORNING SILASTIC 1080  
SILICNE RTV ADHESIVE SEALANT  
CLEAR/TRANSLUCENT

LIVE LINE INDICATOR

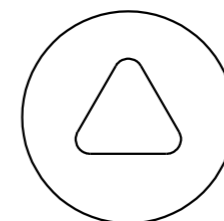


HOUSING MATERIAL BRASS

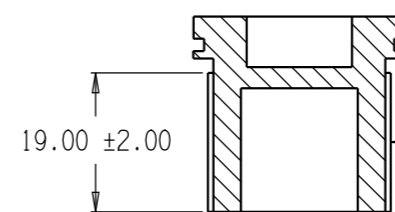


FLAMEPROOF PATH THREADED M25 X 1.5 6g THREAD

LIVE LINE BUNG



HOUSING BRASS OR STAINLESS STEEL



FLAMEPROOF PATH THREADED M25 X 1.5 6g THREAD

NOTE  
THE LIVE LINE BUNG IS TO BE USED TO BLANK OFF THE LIVE LINE INDICATOR HOLES IN THE FLP BODY FOR CUSTOMERS THAT DONT REQUIRE THE LIVE LINE INDICATORS

This drawing forms part of the documentation for Certification: ANZEx 13.2007X Issue: 6 Alterations not authorised by Simtars may invalidate this certification.

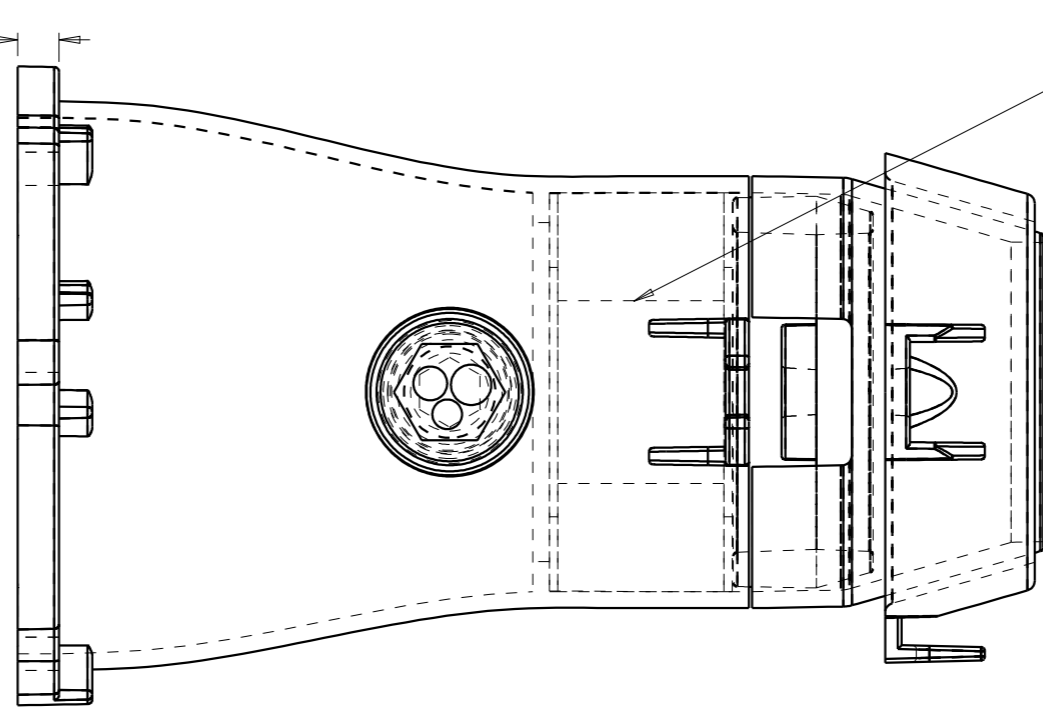
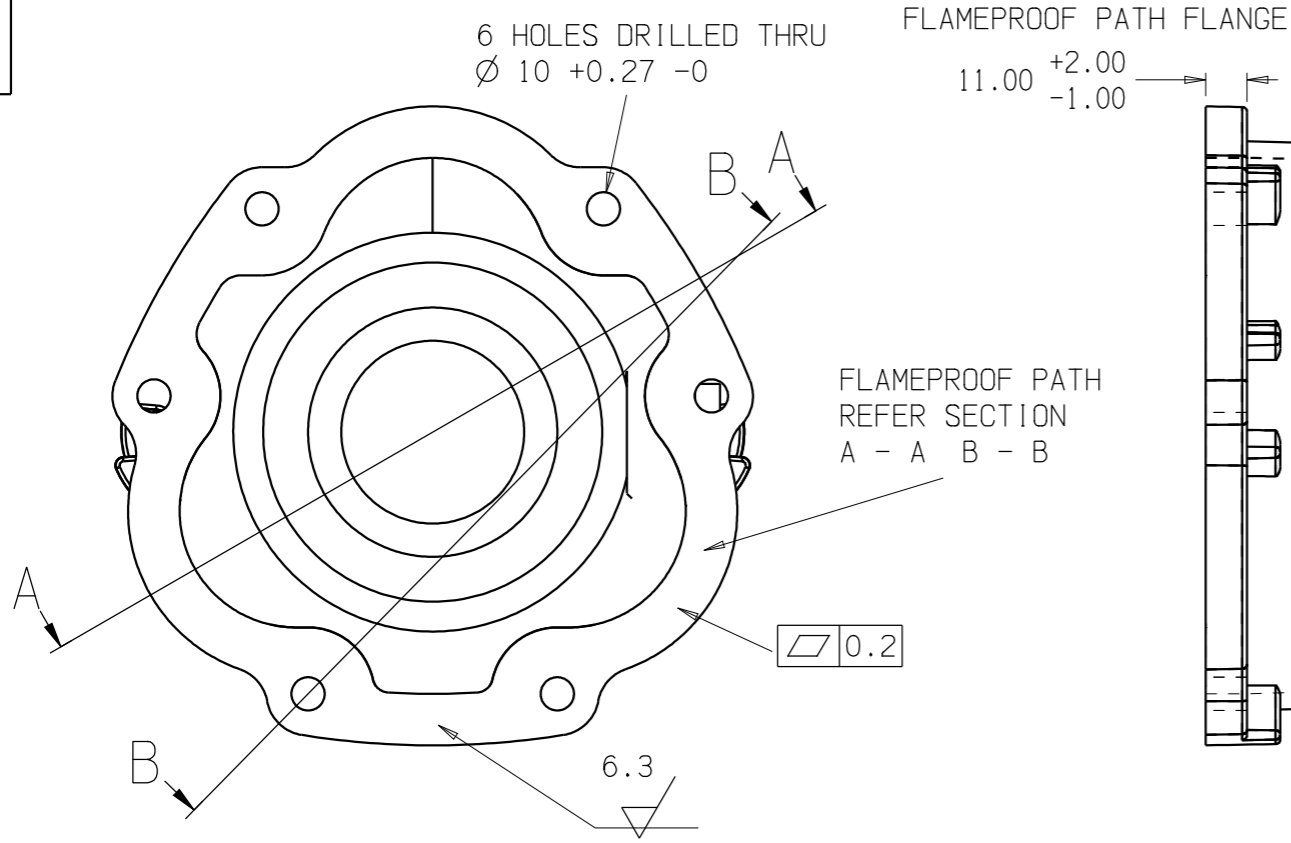
4	JOINT LENGTH	20/11/24	TOLERANCES
3	MIN Dimension	18/11/24	UNLESS NOTED ON DIMENSION +-0.1
2	Tolarance Change	15/08/24	
1	Live Line Bung	11/02/15	
NO	REVISIONS	DATE	

  
**AUSPROOF PTY LTD**  
 LIVE LINE INDICATOR (CUSTOMER COPY)

NOT TO BE CHANGED WITHOUT SIMTARS APPROVAL				
FASTENER SCHEDULE SEE DRAWING Ex118B - C008				
DRAWN	PHILIP MARKS	CHECKED		
DATE	14/03/13			
SCALE	DO NOT SCALE	DRAWING NO	Ex118B - C002	REVISION NO
NOTE	COPYRIGHT RESERVED			4

Ex

Ex

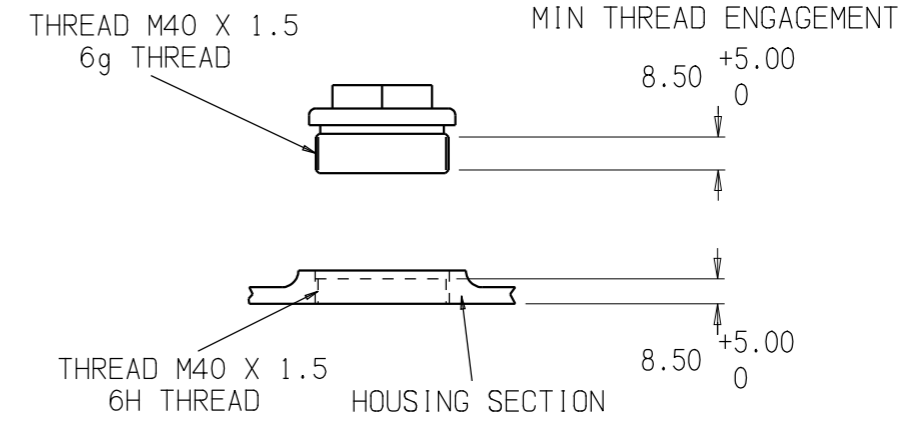
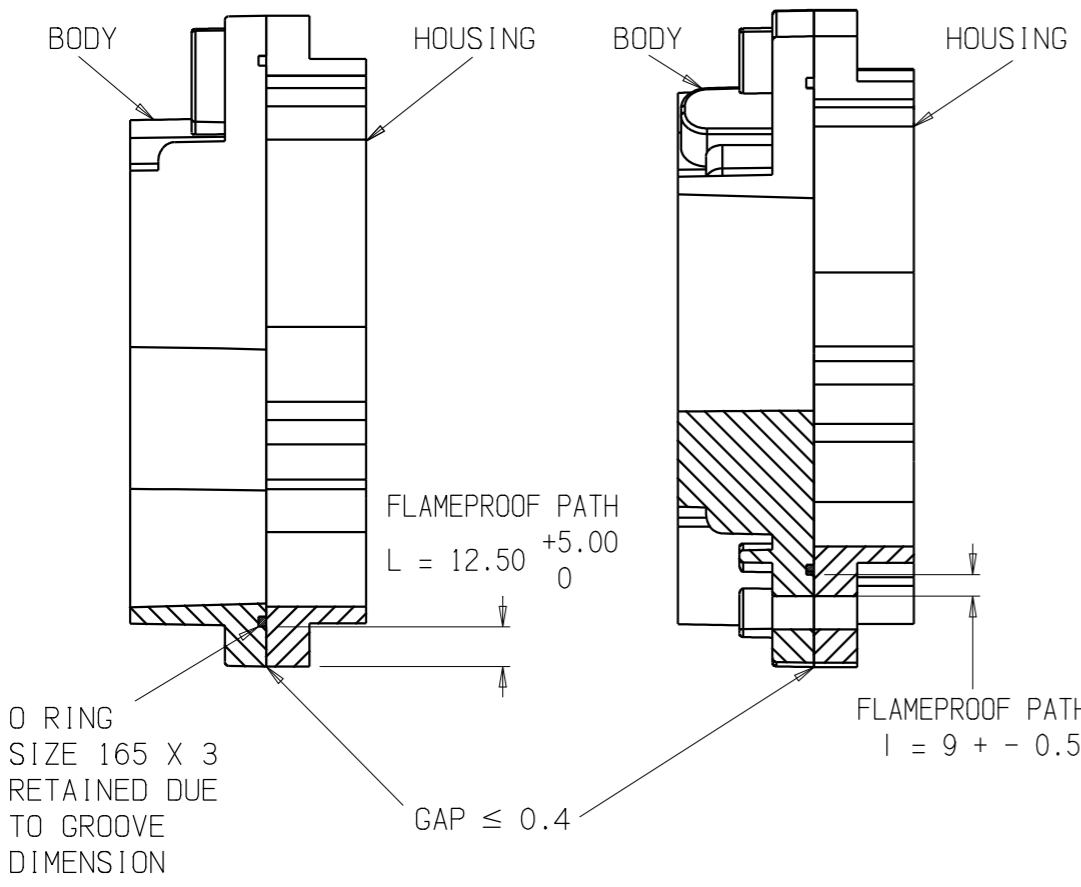


ARMoured CABLE COMPRESSION CLAMP KIT TO SUIT CABLE O.D. UNDER ARMOUR		
COMPRESSION RING	RUBBER COMPRESSION RING	COMPRESSION WASHER ID
33 - 38		50
38 - 43		50
43 - 48		50
48 - 53		70
53 - 58		70
58 - 63		70
63 - 68		70
68 - 73		95
73 - 78		95
78 - 83		95
83 - 88		95

NOTE  
 RUBBER COMPRESSION GLAND TO BE TORQUED TO 30 Nm

SECTION A-A

SECTION B-B



NOTE: TO BE COMPOUND FILLED

TOLERANCES			
3	MIN THREAD ENGAGEMENT	20/11/24	UNLESS NOTED ON DIMENSION $\pm 0.1$
2	Length Change	18/11/24	
1	Tolerance Change	15/08/24	
NO	REVISIONS	DATE	

**AUSPROOF PTY LTD**

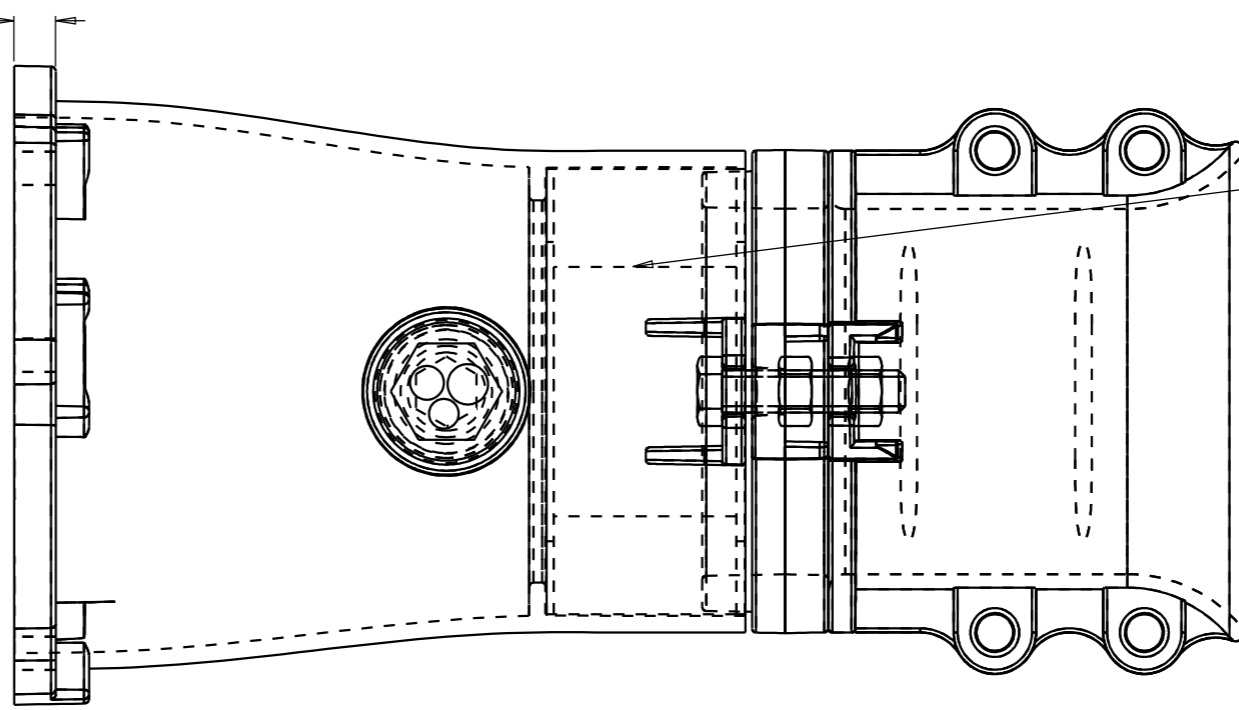
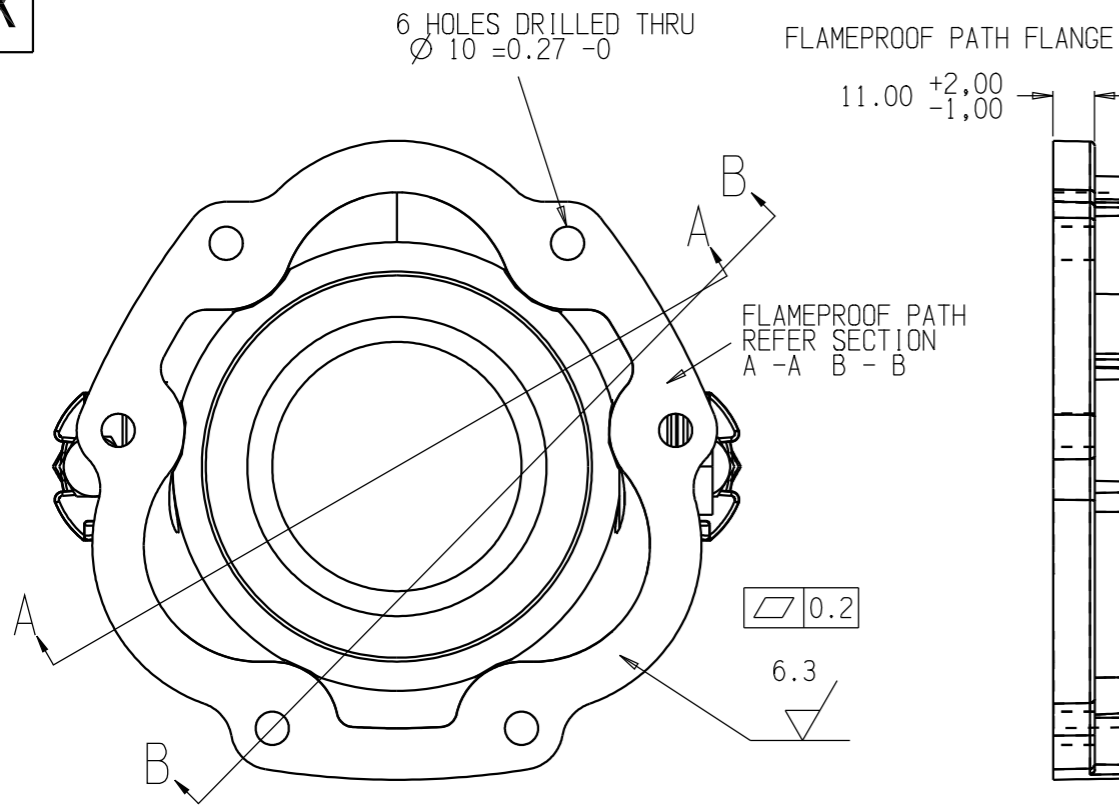
PRODUCT NAME **ARMoured GLAND (CUSTOMER COPY)**

NOT TO BE CHANGED WITHOUT SIMTARS APPROVAL				
FASTENER SCHEDULE SEE DRAWING Ex118B - C008				
DRAWN	PHILIP MARKS	CHECKED		
DATE	14/03/13			
SCALE	DO NOT SCALE	DRAWING NO	Ex118B - C003	REVISION NO
NOTE	COPYRIGHT RESERVED			3

This drawing forms part of the documentation for Certification: ANZEx 13.2007X Issue: 6  
 Alterations not authorised by Simtars may invalidate this certification.

Ex

Ex



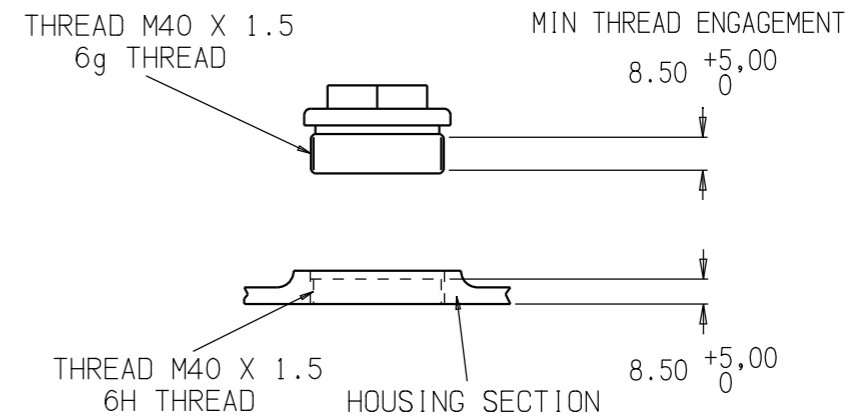
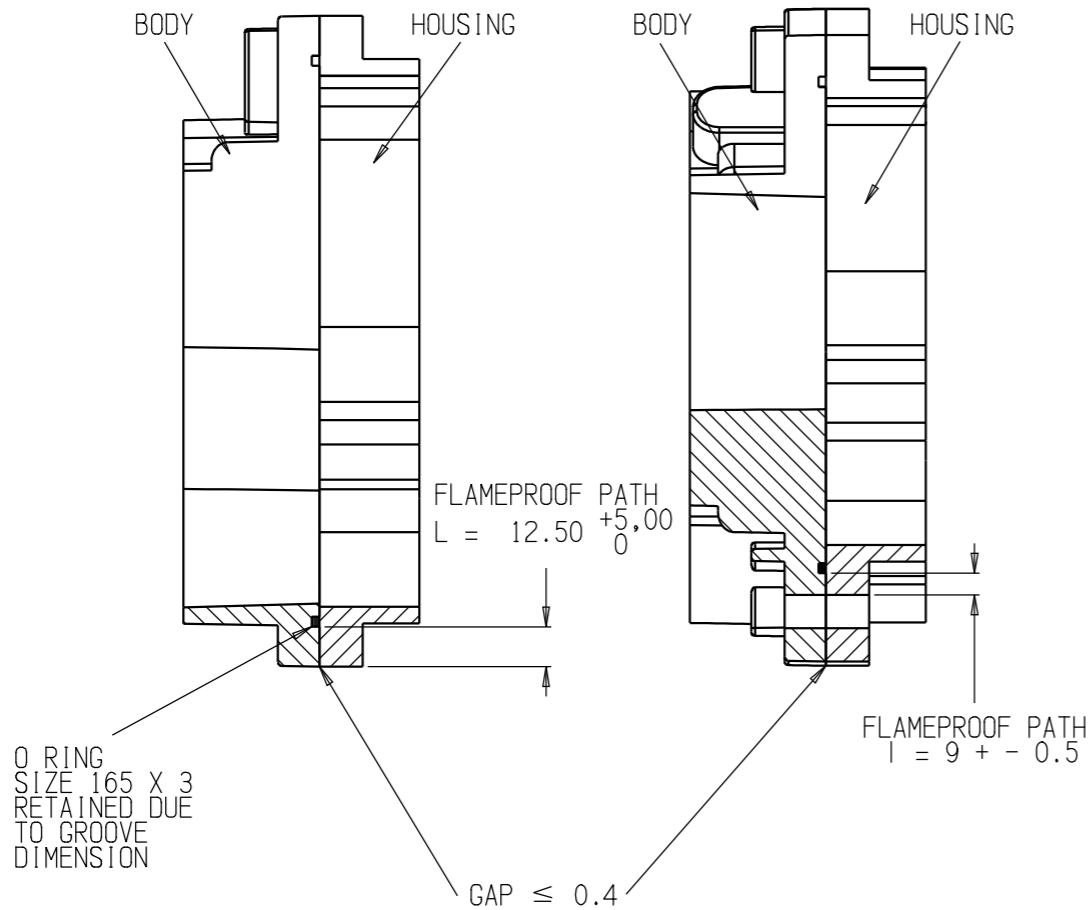
UNARMoured\_CABLE\_COMPRESSION CLAMP KIT TO SUIT CABLE O.D.

RUBBER COMPRESSION RING	COMPRESSION WASHER ID
70 - 75	80
75 - 80	80
80 - 85	95
85 - 90	95
90 - 95	95
95 - 100	113
100 - 105	113
105 - 110	113

NOTE  
RUBBER COMPRESSION GLAND  
TO BE TORQUED TO 30 Nm

SECTION A-A

SECTION B-B



NOTE: TO BE COMPOUND FILLED

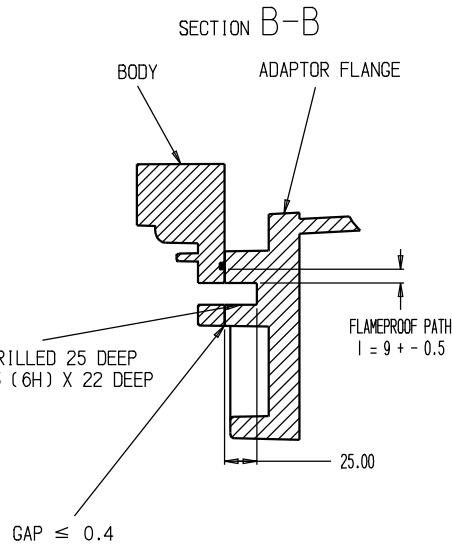
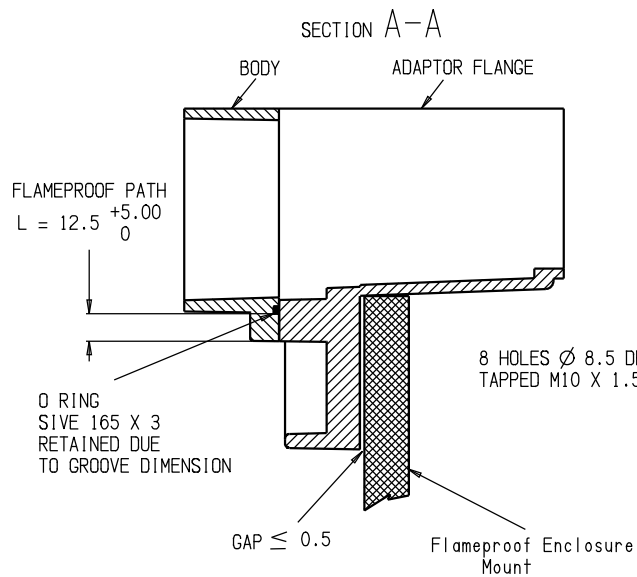
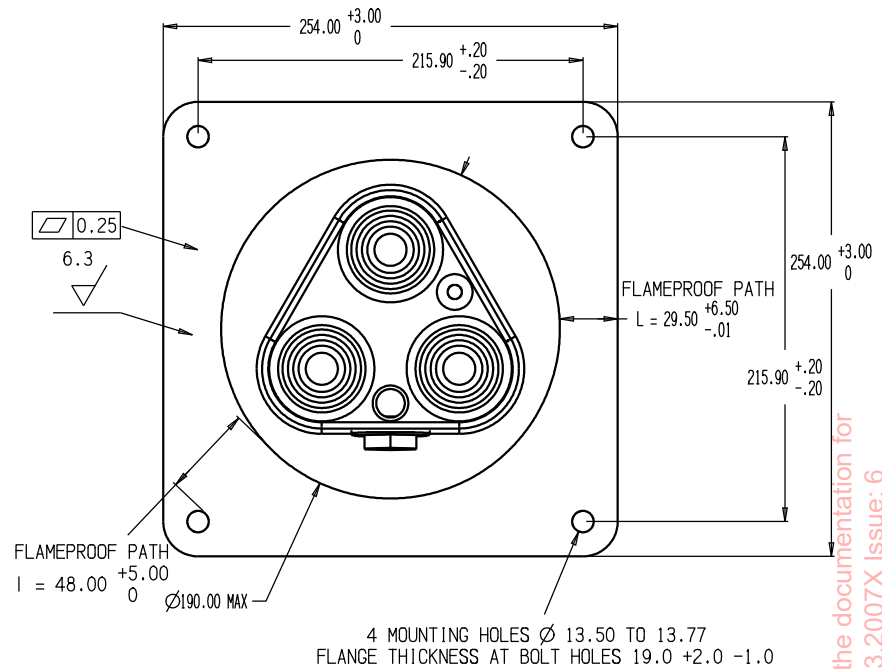
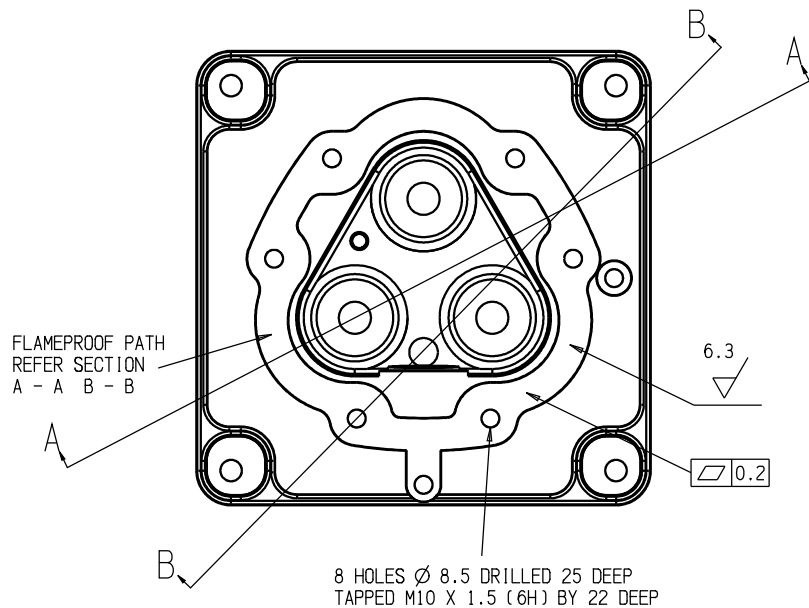
This drawing forms part of the documentation for Certification: ANZEx 13.2007X Issue: 6 Alterations not authorised by Simtars may invalidate this certification.

TOLERANCES		
3	MIN THREAD ENGAGEMENT	20/11/24
2	Length Change	18/11/24
1	Tolerance Change	15/08/24
NO	REVISIONS	DATE

**AUSPROOF PTY LTD**

PRODUCT NAME: UNARMoured GLAND (CUSTOMER COPY)

NOT TO BE CHANGED WITHOUT SIMTARS APPROVAL				
FASTENER SCHEDULE SEE DRAWING Ex118B - C008				
DRAWN	PHILIP MARKS	CHECKED		
DATE	14/03/13			
SCALE	DO NOT SCALE	DRAWING NO	Ex118B - C004	REVISION NO
NOTE	COPYRIGHT RESERVED			3



NOTE: TO BE COMPOUND FILLED

NOT TO BE CHANGED WITHOUT SIMTARS APPROVAL  
FASTENER SCHEDULE SEE DRAWING Ex118B - C008

DRAWN	PHILIP MARKS	CHECKED			
DATE	14/03/13				
SCALE	DD NDT SCALE	DRAWING NO	Ex118B - C005	REVISION NO	1
NOTE	COPYRIGHT RESERVED				

**AUSPROOF PTY LTD**

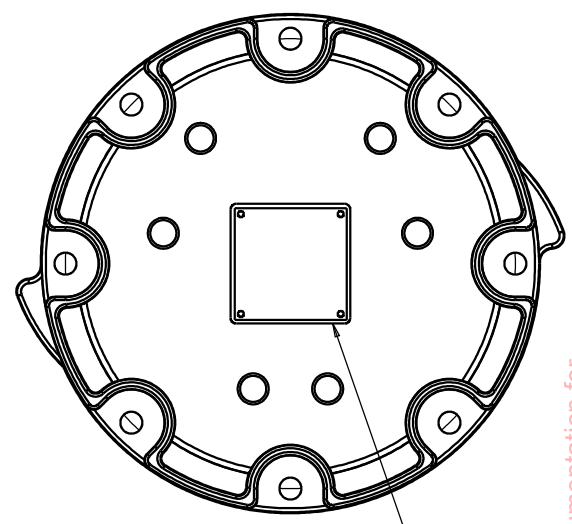
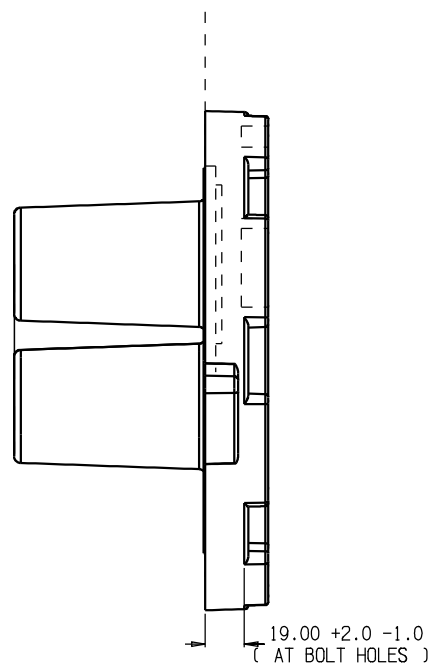
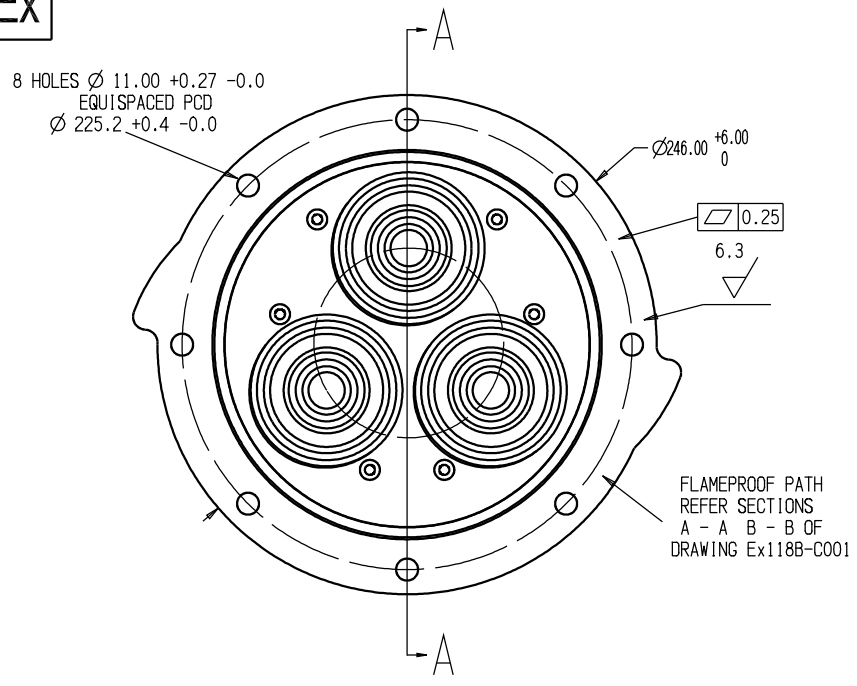
ADAPTOR FLANGE (CUSTOMER COPY)

TOLERANCES  
UNLESS NOTED ON DIMENSION ±0.1

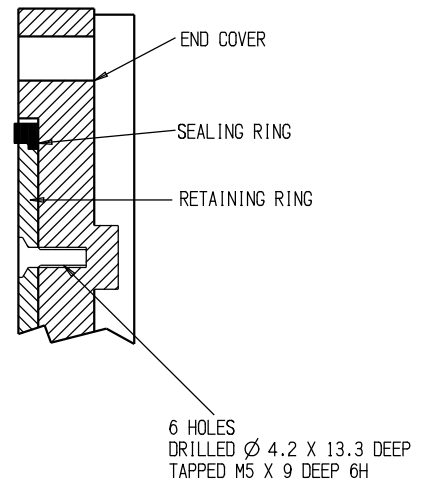
PRODUCT NAME

1	Enclosure Wall	18/11/24
NO	REVISIONS	DATE

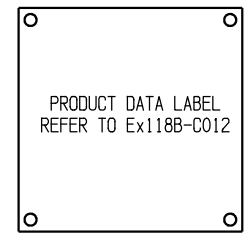
This drawing forms part of the documentation for Certification: ANZEx 13.2007X Issue: 6. Alterations not authorised by Simtars may invalidate this certification.



SECTION A-A



LABEL B



This drawing forms part of the documentation for Certification: ANZEx 13.2007X Issue: 6. Alterations not authorised by Simtars may invalidate this certification.

4	Dimension Removed	18/08/24	TOLERANCES
3	UPDATED LABEL Ex118B-C012	07/07/21	UNLESS NOTED ON DIMENSION $\pm 0.1$
2	UPDATED LABEL Ex118B-C012	20/01/21	
1	UPDATED LABEL MARKINGS	07/10/20	
NO	REVISIONS	DATE	

  
**AUSPROOF PTY LTD**  
 INSULATED END COVER (CUSTOMER COPY)

NOT TO BE CHANGED WITHOUT SIMTARS APPROVAL			
FASTENER SCHEDULE SEE DRAWING Ex118B - C008			
DRAWN	PHILIP MARKS	CHECKED	
DATE	14/03/13		
SCALE	DD NOT SCALE	DRAWING NO	Ex118B - C006
NOTE	COPYRIGHT RESERVED	REVISION NO	4

Ex

**FASTENER SCHEDULE**

- 4 x M10 x 65 SET SCREWS 6g (Class 8.8) ISO4017 & 4 x M10 NUTS 6H (Class 8) ISO4032  
USE: TO BOLT TWO HALF COUPLERS OR COUPLER AND ADAPTOR TOGETHER  
4 SUPPLIED WITH EACH HALF COUPLER MAKING UP 8 NEEDED
- 6 x M5 X 12 S/S SOCKET COUNTERSUNK HEAD SCREWS 6g 700Mpa ISO10642  
USE: TO RETAIN THE INSULATORS & INSULATOR PLUGS BY MEANS OF A  
RETAINING RING INTO THE BODY & END COVER
- 1 x M10 x 25 SET SCREW 6g (Class 8.8) ISO4017 & 1 x M10 NUT 6H (Class 8) ISO4032  
1 x S/S M10 WASHER & 1 x S/S BELLEVILLE LOCK WASHER  
USE: FOR EARTH STRAP ON BODY
- 4 x M10 X 16 BUTTON SOCKET HEAD CAP SCREWS 6g 700Mpa ISO7380  
USE: TO FIX 2 HANDLE AND HANDLE LABEL TO THE BODY
- 3 x M8 x 25 S/S GRUB SCREWS 6g 700Mpa ISO4029 & 3 x M8 NUTS 6H 700Mpa ISO4032  
3 x M8 S/S BELLEVILLE LOCK WASHER  
USE: FOR EARTH STUDS ON BODY INTERNAL
- 6 x M10 x 35 SET SCREW 6g (Class 8.8) ISO4017 & 6 x M10 NUTS 6H (Class 8) ISO4032  
USE: TO BOLT ALL GLAND HOUSINGS TO COUPLER BODY
- 2 x M12 x 80 SET SCREWS 6g (Class 8.8) ISO4017, 6 x M12 NUTS 6H (Class 8) ISO4032  
6 X M12 B/S Z/P WASHERS  
USE: TO BOLT THE CABLE CLAMPING TO HOUSING
- 1 x M8 x 20 SET SCREW 6g (Class 8.8) ISO4017 & 1 x M8 NUT 6H (Class 8) ISO4032  
1 X S/S BELLEVILLE LOCK WASHER  
USE: TO CLAMP EARTH STRAP
- 6 x M10 x 30 S/S SOCKET HEAD CAP SCREWS 6g 700Mpa ISO4762  
USE: TO BOLT ADAPTOR FLANGE TO COUPLER BODY
- 2 x M10 x 25 S/S GRUB SCREW 6g 700Mpa ISO4029 & 2 x M10 NUTS 6H 700Mpa ISO4032  
2 x M10 BELLEVILLE LOCK WASHER  
USE: EARTH STUD ON ADAPTOR FLANGE
- 1 x M8 x 20 S/S SOCKET HEAD CAP SCREW 6g 700MPa ISO4762  
1 x M8 NUT 6H 700MPa ISO4032 & 1 X M8 BELLEVILLE LOCK WASHER  
USE: EARTH STUD ON ADAPTOR FLANGE CAP
- 1 x 16mm NYLON CABLE GLAND  
USE: FOR PILOT CABLE ON ADAPTOR FLANGE CAP
- 3 x CONSTANT FORCE SPRING  
1 x FLEXIBLE EARTH STRAP  
USE: TO EARTH CABLE SEMICONDUCTOR SHEATH
- 1 x RIGHT ANGLE BRASS EARTH LINK  
USE: TO EARTH ADAPTOR FLANGE TO COUPLER BODY
- 6 x M8 x 8 GRUB SCREWS 6g 240MPa (MIN) ISO4029  
USE: FOR SOLDERED CONTACT TO POSITION CABLE  
CONDUCTOR BEFORE SOLDERING
- 3 x MOULDED NYLON CIRCLIP  
USE: FOR CRIMP & SOLDERED CONTACT

**FASTENER SCHEDULE**

- 4 x M6 x 16 SOCKET COUNTERSUNK HEAD SCREW 6g (Class 8.8) ISO10642  
USE: TO BOLT REPLACEABLE FLANGE TO COUPLER BODY
- 4 x M12 x 55 (MIN) Z/P SET SCREW 6g (Class 4.6) ISO4017,  
4 x M12 x 1.75 Z/P NUTS 6H (Class 8) ISO4032,  
8 x M12 Z/P (Class 8) WASHER  
OPTIONAL M12 x 1.75 HARDWARE MAY BE USED MUST HAVE A  
MINIMUM YIELD STRESS OF 240MPa  
USE: TO FIX ADAPTOR TO ENCLOSURE
- FIXING ADAPTOR TO Ex d ENCLOSURE: PROPERTY CLASS  $\geq 4.6^*$   
\*NOTE: SPECIFIED FASTENER PROPERTY CLASS TO BE  $\geq$  THE FASTENER  
PROPERTY CLASS SPECIFIED FOR THE Ex ENCLOSURE.

Ex

NOT TO BE CHANGED WITHOUT SIMTARS APPROVAL

## TOLERANCES

UNLESS NOTED ON DIMENSION  $\pm 0.1$ AUSPROOF PTY LTD PRODUCT  
NAME

FASTENER (CUSTOMER COPY)

DRAWN CLINTON TAYLOR

DATE 5/8/2020

SCALE DO NOT SCALE

NOTE COPYRIGHT RESERVED

DRAWING  
NO

Ex118B - C008

REVISION  
NO

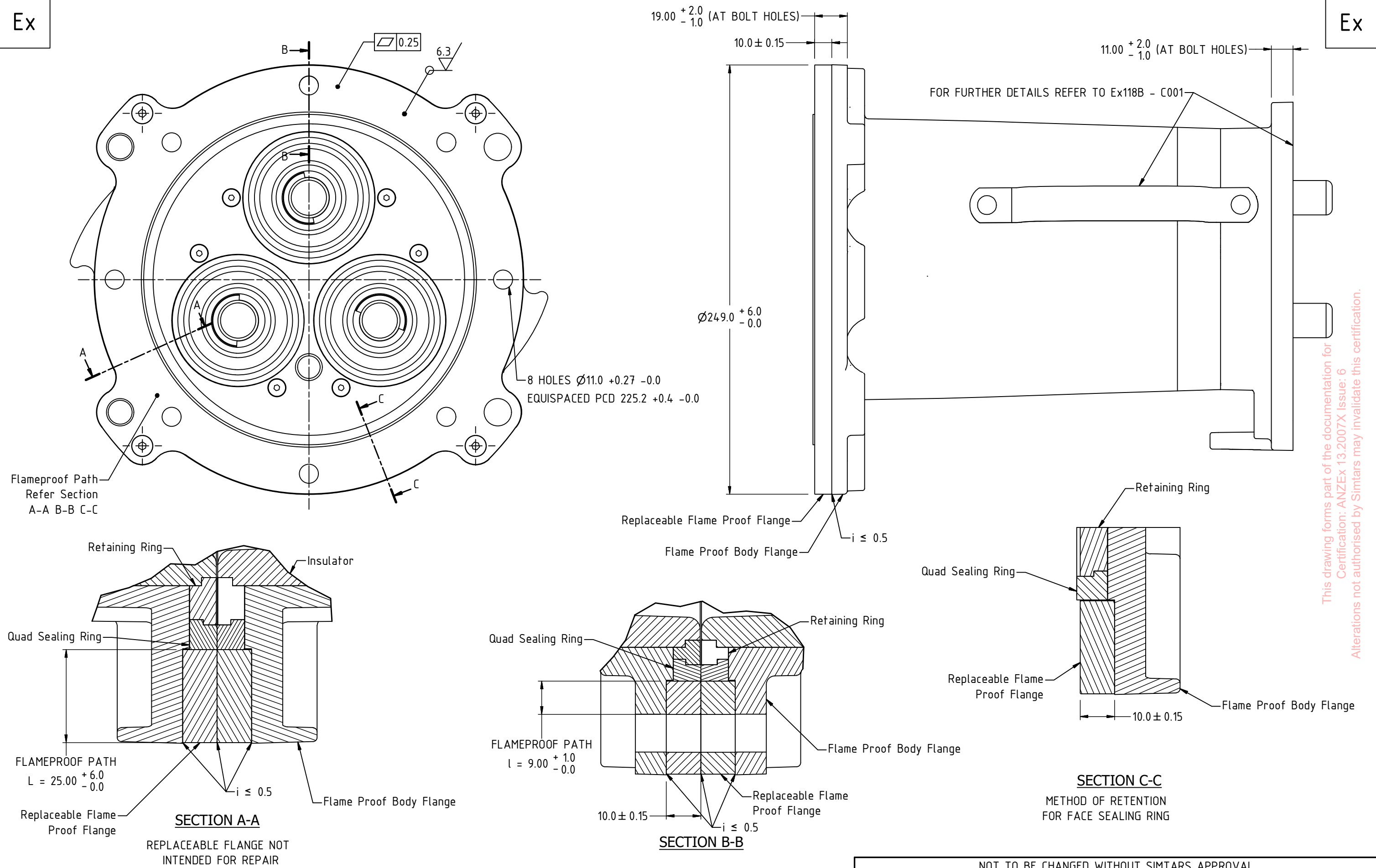
6

This drawing forms part of the documentation for  
Certification: ANZEx 13.2007X Issue: 4  
Alterations not authorised by Simtars may invalidate this certification.

NO	REVISIONS	DATE
6	IECEX update	5/8/2020

Ex

Ex



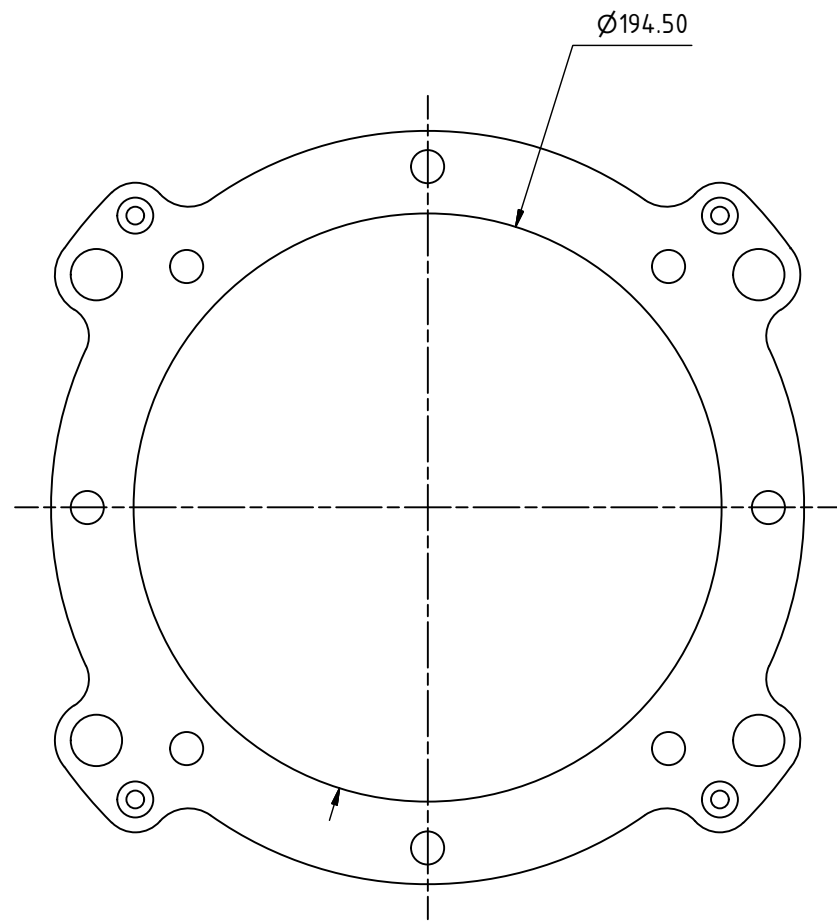
This drawing forms part of the documentation for Certification: ANZEX 13.2007X Issue: 6 Alterations not authorised by Simtars may invalidate this certification.

			NOT TO BE CHANGED WITHOUT SIMTARS APPROVAL							
			FASTENER SCHEDULE SEE DRAWING Ex118B - C008							
3	MAX Gap Added	18/11/2024	<b>AUSPROOF PTY LTD</b>							
2	Flange Tolerance	14/8/2024								
1	Original	30/7/2020								
NO	REVISIONS	DATE	PRODUCT NAME	BODY WITH REPLACEABLE FLANGE (CUSTOMER COPY)	SCALE	DO NOT SCALE	DRAWING NO	Ex118B - C009	REVISION NO	3
			TOLERANCES UNLESS NOTED ON DIMENSION ±0.1							
			DRAWN ANDREW CASTLE							
			DATE 14/05/2020							
			NOTE COPYRIGHT RESERVED							

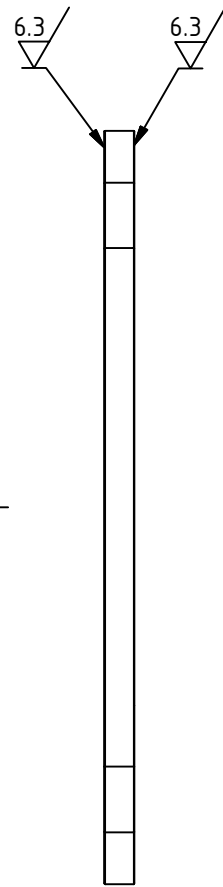


Ex

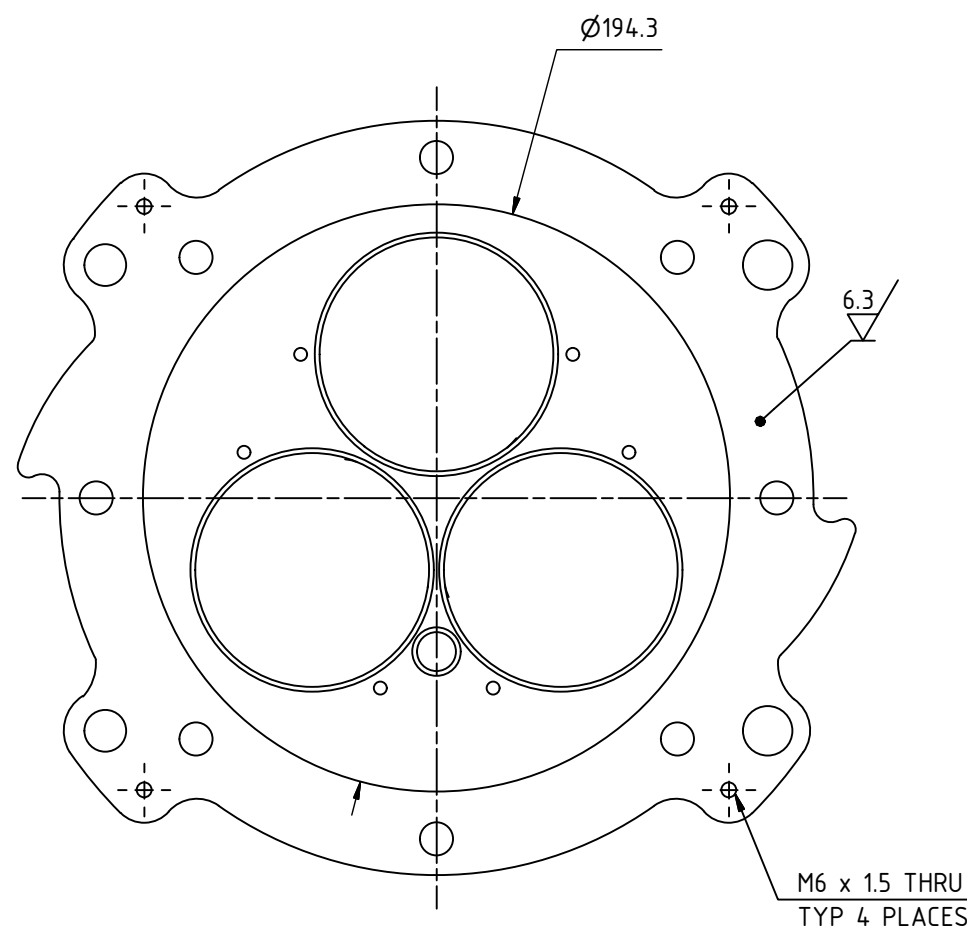
Ex



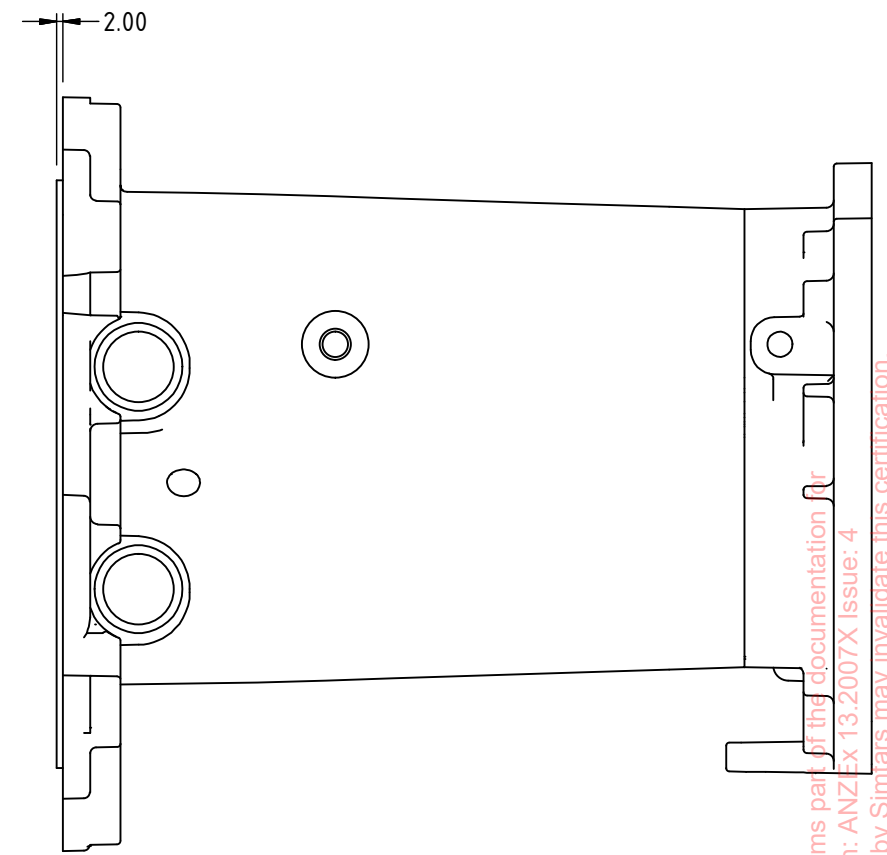
REPLACEABLE FLAME PROOF FLANGE SIDE VIEW



REPLACEABLE FLAME PROOF FLANGE FRONT VIEW



FLAMEPROOF BODY FRONT VIEW



FLAMEPROOF BODY SIDE VIEW

This drawing forms part of the documentation for Certification: ANZ Ex 13.2007X Issue: 4. Alterations not authorised by Simtars may invalidate this certification.

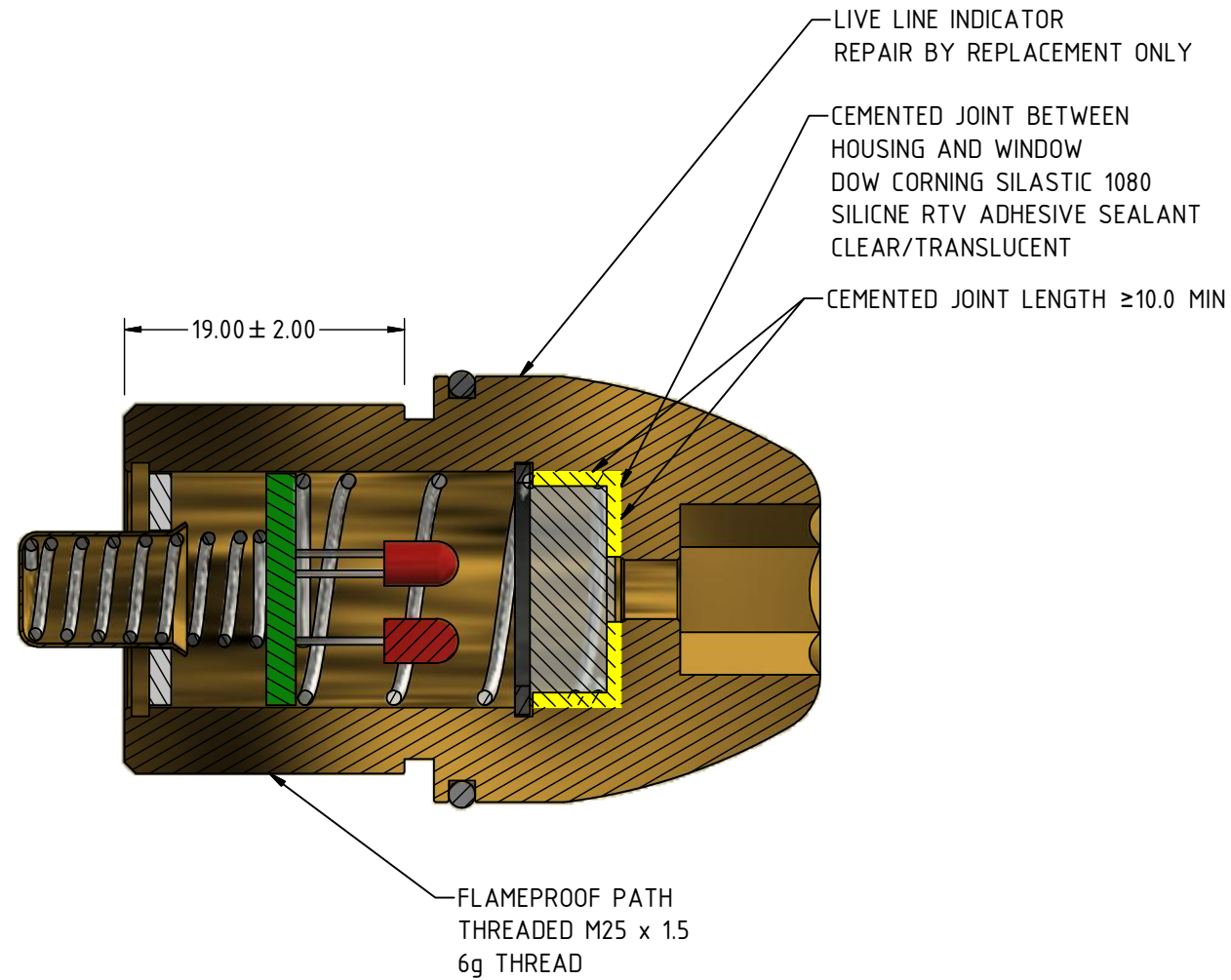
TOLERANCES		
UNLESS NOTED ON DIMENSION ±0.1		
1	Original	30/07/2020
NO	REVISIONS	DATE

		PRODUCT NAME	BODY WITH REPLACEABLE FLANGE (CUSTOMER COPY)

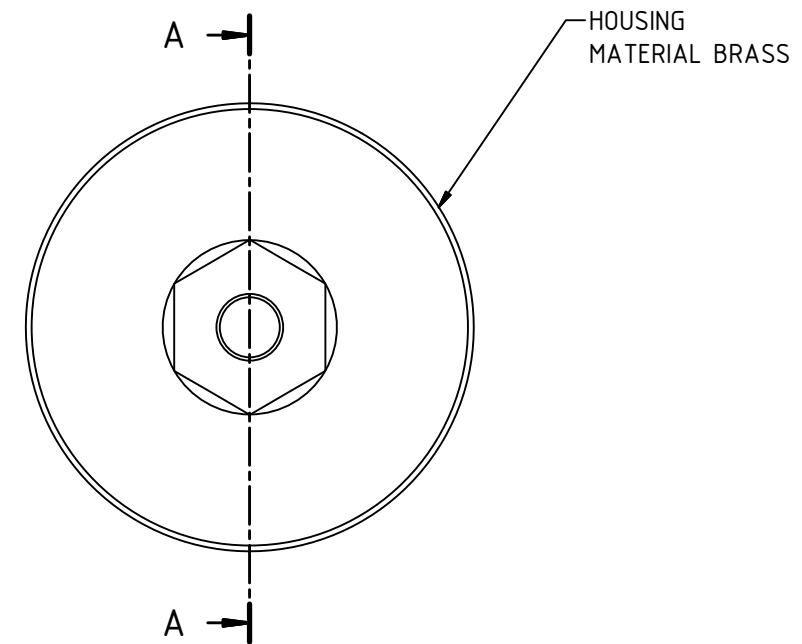
NOT TO BE CHANGED WITHOUT SIMTARS APPROVAL			
FASTENER SCHEDULE SEE DRAWING Ex118B - C008			
DRAWN	CLINTON TAYLOR		
DATE	30/07/2020		
SCALE	DO NOT SCALE	DRAWING NO	Ex118B - C010
NOTE	COPYRIGHT RESERVED	REVISION NO	1

Ex

Ex



SECTION A-A  
ASSEMBLED VIEW



TOP VIEW

This drawing forms part of the documentation for  
 Certification: ANZEx 13.2007X Issue: 6  
 Alterations not authorised by Simtars may invalidate this certification.

4	JOINT LENGTH	20/11/2024	TOLERANCES
3	THREAD TOLERANCE	14/08/2024	UNLESS NOTED ON DIMENSION ±0.1
2	REPAIR NOTE	5/7/2020	
1	ORIGINAL	14/5/2020	
NO	REVISIONS	DATE	

**AUSPROOF PTY LTD**

PRODUCT NAME LED LIVE LINE INDICATOR (CUSTOMER COPY)

NOT TO BE CHANGED WITHOUT SIMTARS APPROVAL			
MATERIAL AND FASTENER SCHEDULE SEE DRAWING Ex118B - 008			
DRAWN	ANDREW CASTLE		
DATE	14/05/2020		
SCALE	DO NOT SCALE	DRAWING NO	Ex118B - C011
NOTE	COPYRIGHT RESERVED	REVISION NO	
			<b>4</b>

Ex

Ex

TABLE A  
PRODUCT LABEL FOR BODY

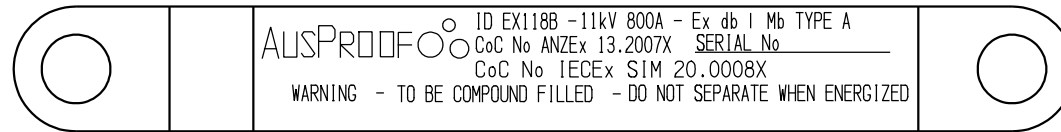
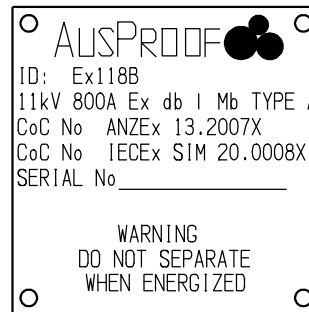


TABLE B  
PRODUCT LABEL FOR INSULATED END COVER



REFER Ex118B-C001 FOR MODEL AND MARKING DETAILS

This drawing forms part of the documentation for  
Certification: ANZEx 13.2007X Issue: 6  
Alterations not authorised by Simtars may invalidate this certification.

			TOLERANCES		AUSPROOF PTY LTD		NOT TO BE CHANGED WITHOUT SIMTARES APPROVAL				
			UNLESS NOTED ON DIMENSION $\pm 0.1$				MATERIAL AND FASTENER SCHEDULE SEE DRAWING Ex118B - 010		DRAWN PHILIP MARKS		CHECKED
2	Deleted Dimensions/Nomes	18/08/24				DATE 20/01/21		SCALE DD NOT SCALE		DRAWING NO	
1	CHANGED 1 TO 1	07/07/2021				NOTE COPYRIGHT RESERVED		Ex118B - C012		REVISION NO	
NO	REVISIONS	DATE	PRODUCT NAME PRODUCT MARKING LABELS (CUSTOMER COPY)							2	