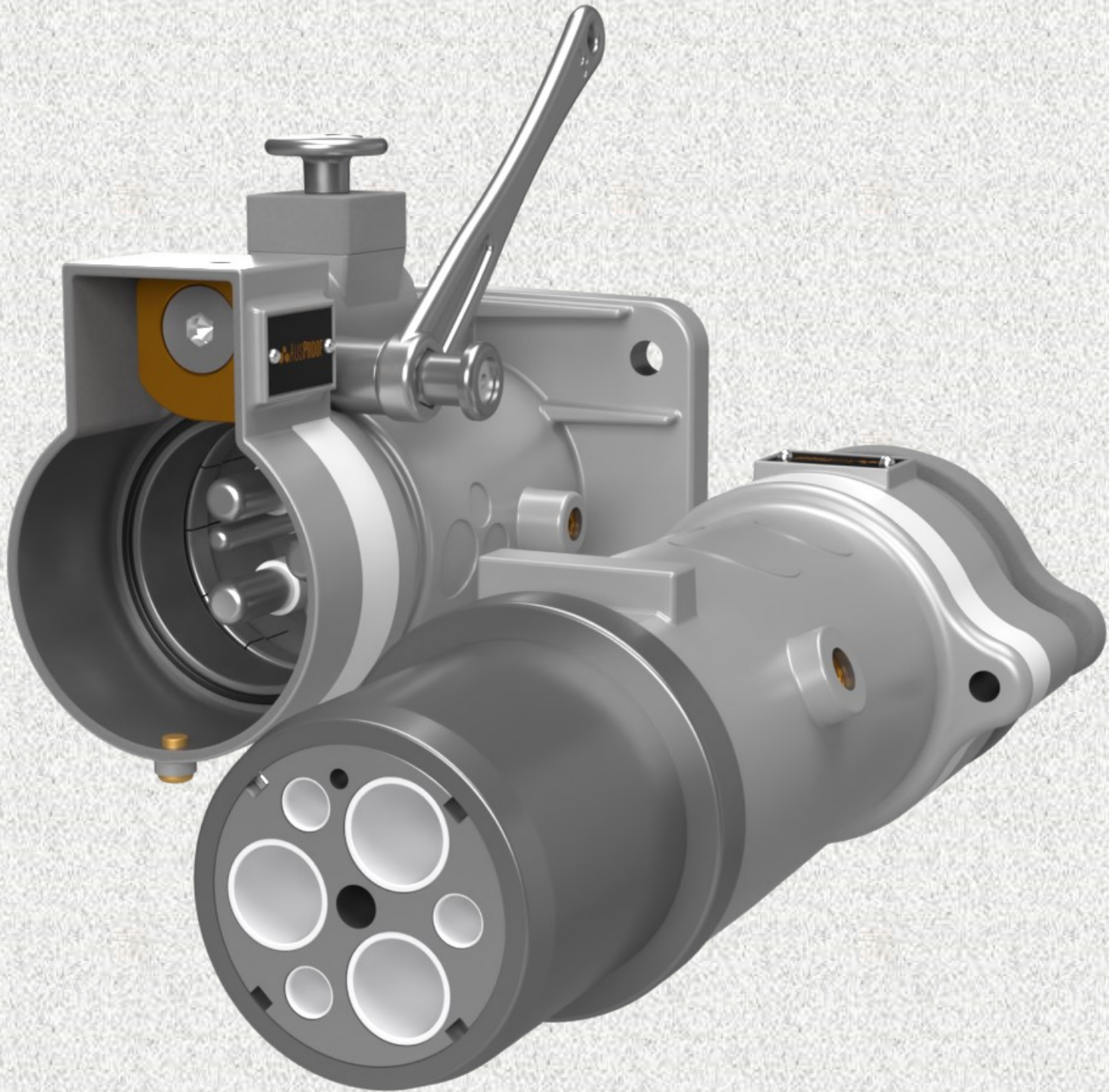




Restrained Plugs And Receptacles

PL Range

Ex 300/425A





Index

Section 1

Description

PL 660V Series

660V 300A 4 Pin PL Plug
660V 300A 4 Pin PL Receptacle
660V 300A 4 Pin PL Receptacle Gland Bracket (RGB)
660V 300A 4 Pin PL Back to Back (B2B)

660V 425A 4 Pin PL Plug
660V 425A 4 Pin PL Receptacle
660V 425A 4 Pin PL Receptacle Gland Bracket (RGB)
660V 425A 4 Pin PL Back to Back (B2B)

PL 1100V Series

1100V 300A 4 Pin PL Plug
1100V 300A 4 Pin PL Receptacle
1100V 300A 4 Pin PL Receptacle Gland Bracket (RGB)
1100V 300A 4 Pin PL Back to Back (B2B)

1100V 425A 4 Pin PL Plug
1100V 425A 4 Pin PL Receptacle
1100V 425A 4 Pin PL Receptacle Gland Bracket (RGB)
1100V 425A 4 Pin PL Back to Back (B2B)

1100V 300A 6 Pin PL Plug
1100V 300A 6 Pin PL Receptacle
1100V 300A 6 Pin PL Receptacle Gland Bracket (RGB)
1100V 300A 6 Pin PL Back to Back (B2B)

1100V 425A 6 Pin PL Plug
1100V 425A 6 Pin PL Receptacle
1100V 425A 6 Pin PL Receptacle Gland Bracket (RGB)
1100V 425A 6 Pin PL Back to Back (B2B)

PL 3300V Series

3300V 300A 4 Pin PL Plug
3300V 300A 4 Pin PL Receptacle
3300V 300A 4 Pin PL Receptacle Gland Bracket (RGB)
3300V 300A 4 Pin PL Back to Back (B2B)

3300V 425A 4 Pin PL Plug
3300V 425A 4 Pin PL Receptacle
3300V 425A 4 Pin PL Receptacle Gland Bracket (RGB)
3300V 425A 4 Pin PL Back to Back (B2B)



Index

Section 1 continued...

PL 3300V Series

- 3300V 300A 6 Pin PL Plug
- 3300V 300A 6 Pin PL Receptacle
- 3300V 300A 6 Pin PL Receptacle Gland Bracket (RGB)
- 3300V 300A 6 Pin PL Back to Back (B2B)
- 3300V 425A 6 Pin PL Plug
- 3300V 425A 6 Pin PL Receptacle
- 3300V 425A 6 Pin PL Receptacle Gland Bracket (RGB)
- 3300V 425A 6 Pin PL Back to Back (B2B)

Termination Procedures

- 660/1100V 300/425A 4 Pin Plug
- 660/1100V 300/425A 4 Pin Receptacle
- 1100/3300V 300/425A 6 Pin Plug
- 1100/3300V 300/425A 6 Pin Receptacle
- 3300V 300/425A 4 Pin Plug
- 3300V 300/425A 4 Pin Receptacle
- PL Receptacle Gland Bracket Terminations Stage 1 - 3
- PL Receptacle Gland Bracket Terminations Stage 4 - 5

- PL Range Lockout Device Location
- PL Range Product Accessories
- PL Range Handling
- PL Range Glossary
- Notes

Section 2

Flamepath Detail

- 660/1100/3300V 300A/425A PL Back to Back I
- 660/1100/3300V 300A/425A PL Plug and Receptacle II

Mounting Details/Maintenance

- PL Receptacle Mounting Profile Drawing III
- Maintenance and Safety IV

Ex Identification Labels

- Plug Identification Labels V
- Receptacle Identification Labels VI
- Gland Bracket/Gland Mount Identification Labels VII
- Back to Back Identification Labels VIII
- Conditions of Use IX
- Notes X

660V 300A 4 Pin PL Plug

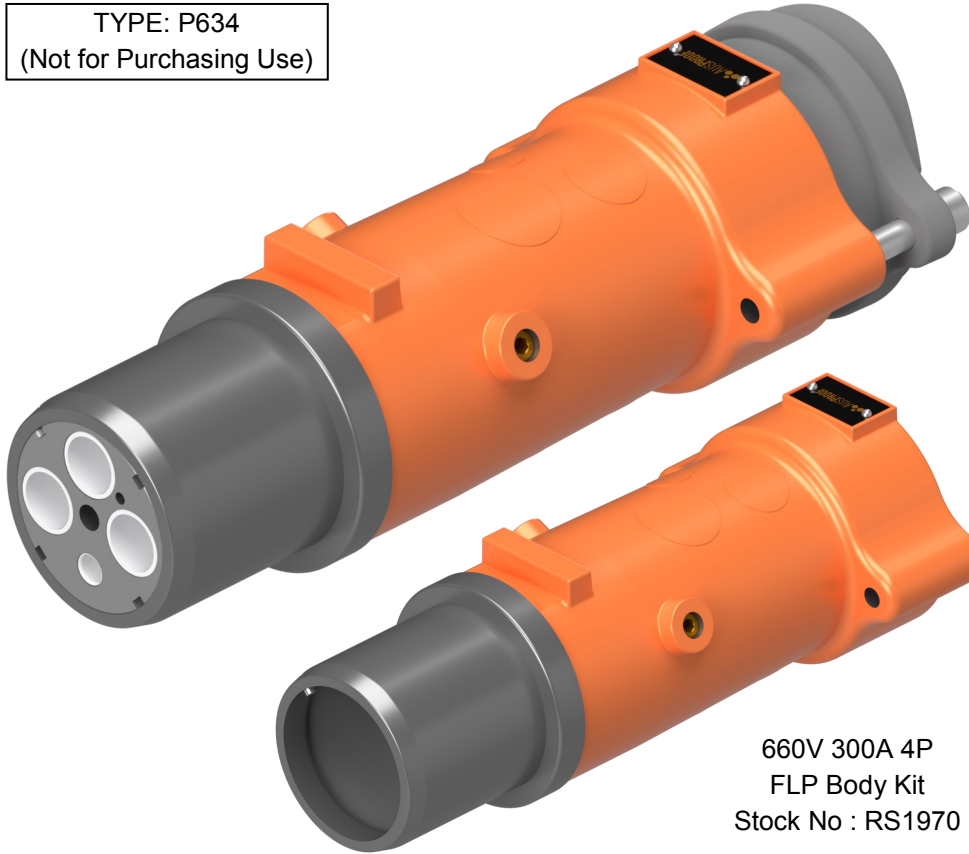
3 Phase 1 Pilot



Pilot Orientation

Pre-Built To Suit Cable Type

TYPE: P634
(Not for Purchasing Use)

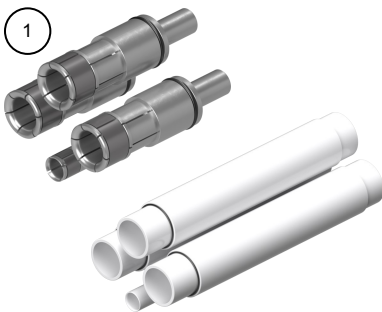


660V 300A 4P
FLP Body Kit
Stock No : RS1970

Plug Type To Suit Cable Type				
(mm ²)	*Ref.	241.1	*Ref.	275.1
16	(F)	RS1412	(E)	RS2166
25	(F)	RS1413	(E)	RS2167
35	(G)	RS1414	(F)	RS2168
50	(H)	RS1415	(G)	RS2169
70	(I)	RS1416	-	-
95	(J)	RS1417	-	-
120	(K)	RS1418	-	-
150	(L)	RS1419	-	-
185	(M)	RS1420	-	-

*Gland Reference Letter

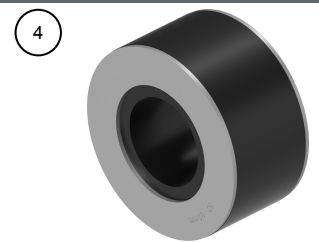
Part Breakdown For Customized Cables; One Of Each Type Required



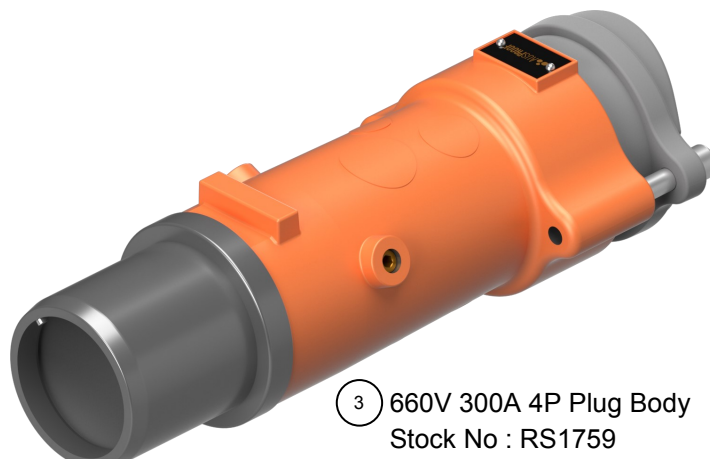
16 / 25 Style Contact + Insulator Sets		
(mm ²)	ID (mm)	Stock No.
16	6.5	RS1933
25	7.5	RS1934
35	9.0	RS1935
50	10.5	RS1936
70	12.5	RS1937
95	14.0	RS1938
120	16.0	RS1939
150	17.7	RS1940
185	19.5	RS1941



2 4P Front Cage
Stock No : RS1914



Compression Gland Type		
*Ref.	Gland ID	Stock No.
(A)	10-15	RS2212
(B)	15-20	RS2213
(C)	20-25	RS2214
(D)	25-30	RS2215
(E)	30-35	RS1618
(F)	35-40	RS1619
(G)	40-45	RS1620
(H)	45-50	RS1621
(I)	50-55	RS1622
(J)	55-60	RS1623
(K)	60-65	RS1624
(L)	65-70	RS1625
(M)	70-75	RS1626
(N)	75-80	RS1627



3 660V 300A 4P Plug Body
Stock No : RS1759

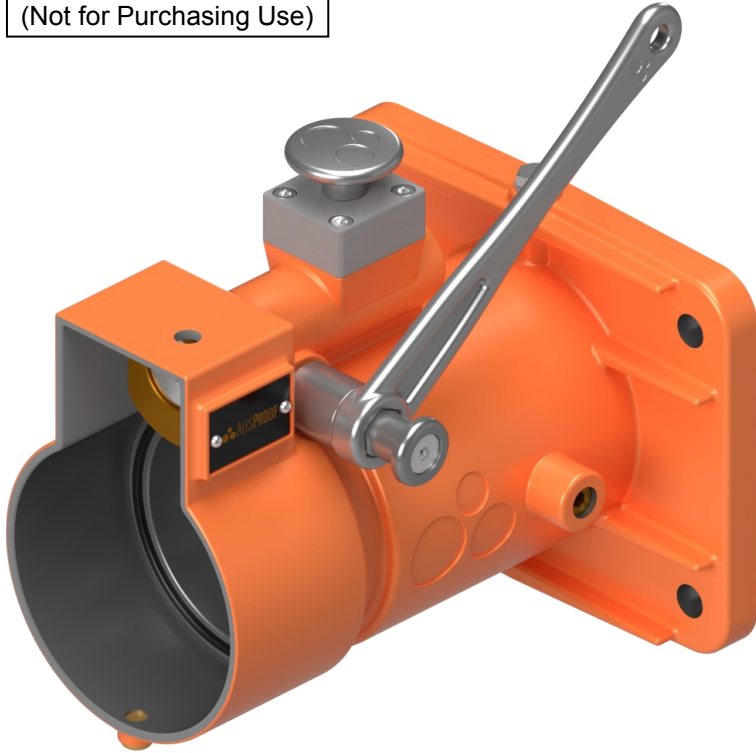
*Gland Reference Letter



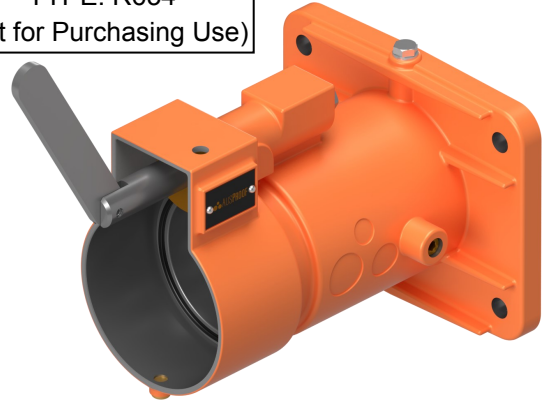
660V 300A 4 Pin PL Receptacle

3 Phase 1 Pilot

TYPE: QRR634
(Not for Purchasing Use)



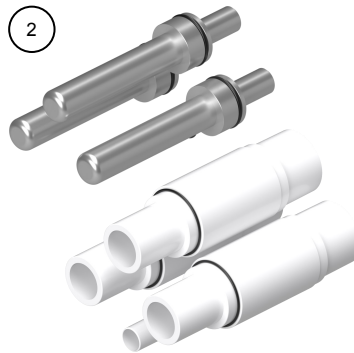
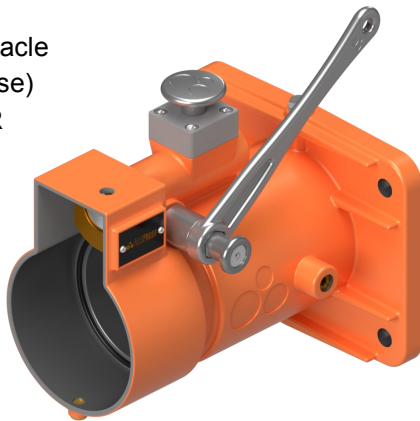
TYPE: R634
(Not for Purchasing Use)



Receptacle Type to Suit mm ² Cable Tails		
(mm ²)	(Quick Release) Stock No.	(Jack In) Stock No.
16	RS1421QR	RS1421
25	RS1422QR	RS1422
35	RS1423QR	RS1423
50	RS1424QR	RS1424
70	RS1425QR	RS1425
95	RS1426QR	RS1426
120	RS1427QR	RS1427
150	RS1428QR	RS1428
185	RS1429QR	RS1429

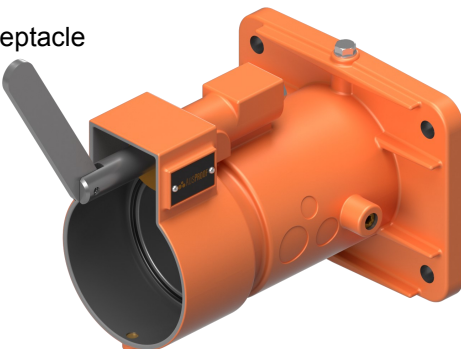
Part Breakdown For Customized Cables; One Of Each Type Required

1 660V 300A 4P Receptacle
Body Kit (Quick Release)
Stock No : RS1904QR



16 / 78 Style Contact + Insulator Sets		
(mm ²)	ID (mm)	Stock No.
16	6.5	RS1998
25	7.5	RS1999
35	9.0	RS2081
50	10.5	RS2082
70	12.5	RS2083
95	14.0	RS2084
120	16.0	RS2085
150	17.7	RS2086
185	19.5	RS2087

1 660V 300A 4P Receptacle
Body Kit (Jack-In)
Stock No : RS1904

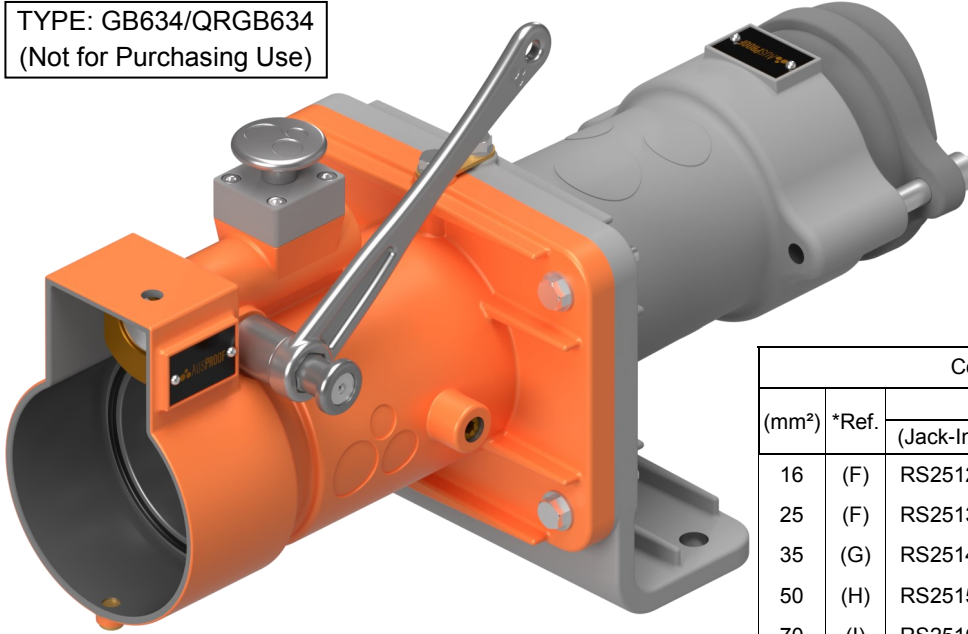


3 4P Receptacle Cage
Stock No : RS1916



Built To Suit Cable Type

TYPE: GB634/QRGB634
(Not for Purchasing Use)



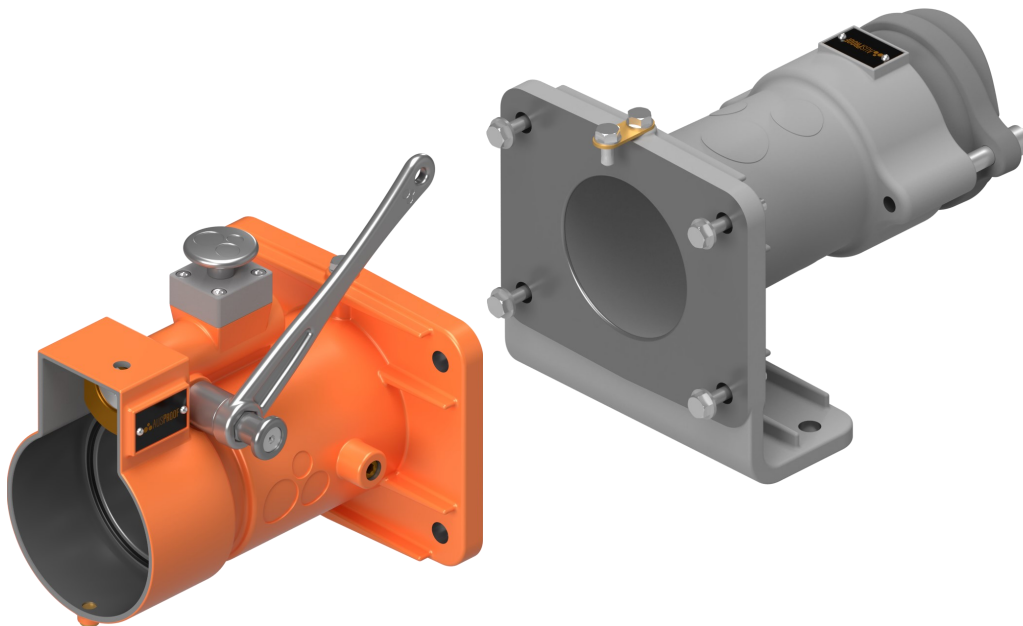
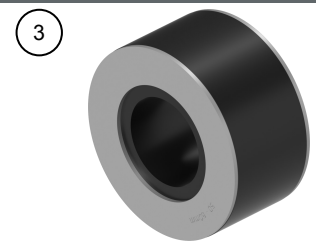
Complete RGB To Suit Cable Type						
(mm ²)	*Ref.	241.1		*Ref.	275.1	
		(Jack-In)	(Quick Release)		(Jack-In)	(Quick Release)
16	(F)	RS2512	RS2512QR	(E)	RS2521	RS2521QR
25	(F)	RS2513	RS2513QR	(E)	RS2522	RS2522QR
35	(G)	RS2514	RS2514QR	(F)	RS2523	RS2523QR
50	(H)	RS2515	RS2515QR	(G)	RS2524	RS2524QR
70	(I)	RS2516	RS2516QR	-	-	-
95	(J)	RS2517	RS2517QR	-	-	-
120	(K)	RS2518	RS2518QR	-	-	-
150	(L)	RS2519	RS2519QR	-	-	-
185	(M)	RS2520	RS2520QR	-	-	-

*Gland Reference Letter

Part Breakdown For Customized Cables; One Of Each Type Required

① 660V 300A 4P Receptacle
Stock No: Refer to Page 6

② Gland Bracket Body Kit
Stock No. RS2510



Compression Gland Type		
*Ref.	Gland ID	Stock No.
(A)	10-15	RS2212
(B)	15-20	RS2213
(C)	20-25	RS2214
(D)	25-30	RS2215
(E)	30-35	RS1618
(F)	35-40	RS1619
(G)	40-45	RS1620
(H)	45-50	RS1621
(I)	50-55	RS1622
(J)	55-60	RS1623
(K)	60-65	RS1624
(L)	65-70	RS1625
(M)	70-75	RS1626
(N)	75-80	RS1627

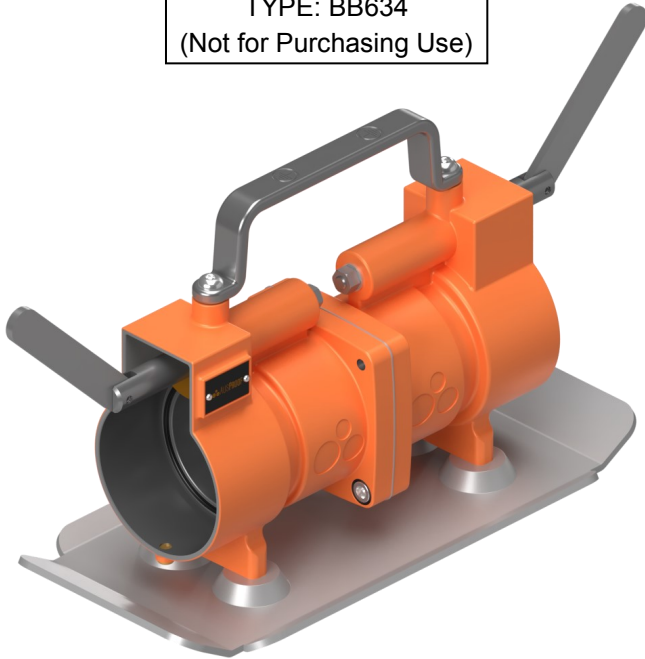
*Gland Reference Letter



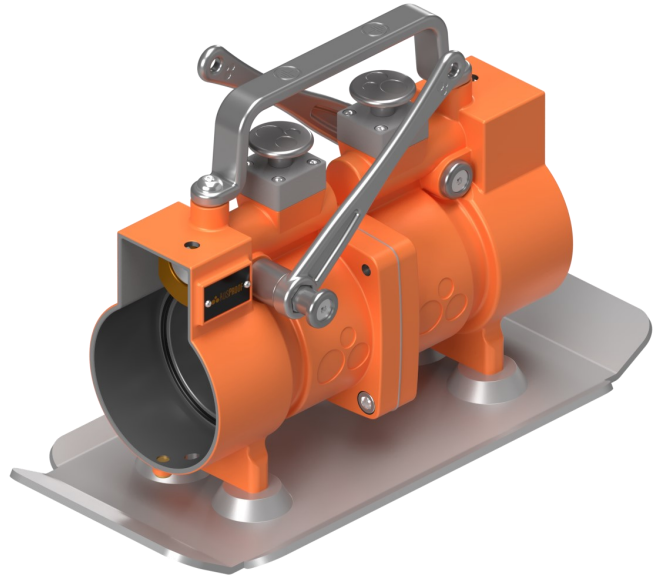
660V 300A 4 Pin PL Back to Back (B2B)

3 Phase 1 Pilot

TYPE: BB634
(Not for Purchasing Use)



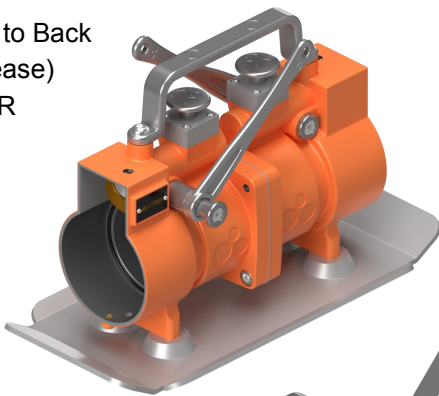
TYPE: QRBB634
(Not for Purchasing Use)



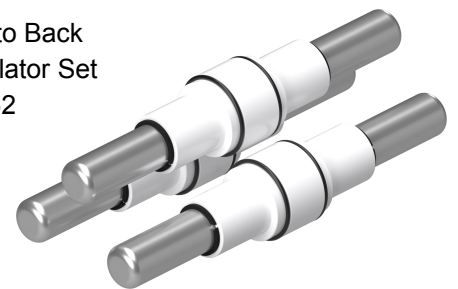
Complete Back to Back	
Jack-In	Quick Release
Stock No: RS2462	Stock No: RS2462QR

Part Breakdown For Repairs; One Of Each Type Required

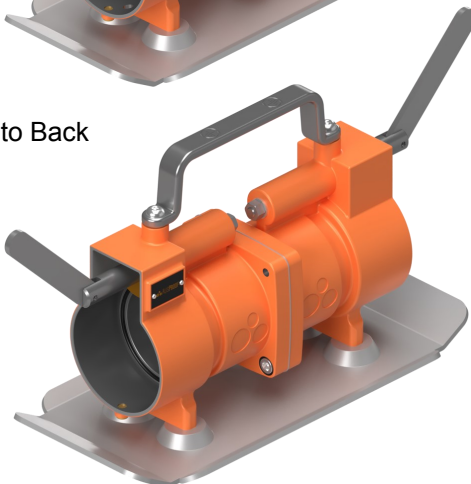
- ① 660V 300A 4P Back to Back Body Kit (Quick Release)
Stock No. RS2415QR



- ② PL 16 - 25 Back to Back Contact and Insulator Set
Stock No. RS2452



- ① 660V 300A 4P Back to Back Body Kit (Jack-In)
Stock No. RS2415



- ③ PL Back to Back 4P Cage Kit
Stock No. RS2437



660V 425A 4 Pin PL Plug

3 Phase 1 Pilot



Pilot Orientation

Pre-Built To Suit Cable Type

TYPE: P644
(Not for Purchasing Use)

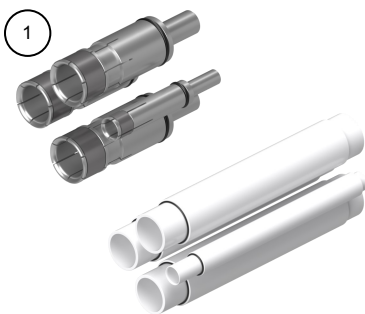


660V 425A 4P
FLP Body Kit
Stock No : RS1971

Plug Type To Suit Cable Type				
(mm ²)	*Ref.	241.1	*Ref.	275.1
16	(F)	RS1430	(E)	RS2170
25	(F)	RS1431	(E)	RS2171
35	(G)	RS1432	(F)	RS2172
50	(H)	RS1433	(G)	RS2173
70	(I)	RS1434	-	-
95	(J)	RS1435	-	-
120	(K)	RS1436	-	-
150	(L)	RS1437	-	-
185	(M)	RS1438	-	-

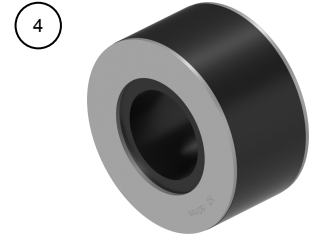
*Gland Reference Letter

Part Breakdown For Customized Cables; One Of Each Type Required



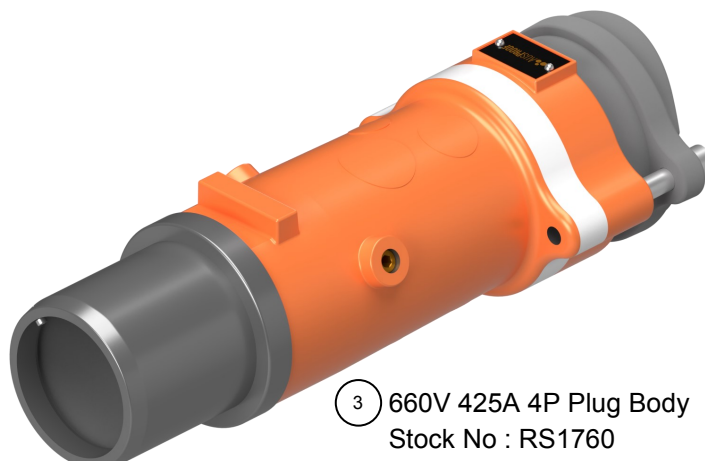
19 / 25 Style Contact + Insulator Sets		
(mm ²)	ID (mm)	Stock No.
16	6.5	RS1932
25	7.5	RS1931
35	9.0	RS1930
50	10.5	RS1929
70	12.5	RS1928
95	14.0	RS1927
120	16.0	RS1926
150	17.7	RS1925
185	19.5	RS1924

2 4P Front Cage
Stock No : RS1914



Compression Gland Type		
*Ref.	Gland ID	Stock No.
(A)	10-15	RS2212
(B)	15-20	RS2213
(C)	20-25	RS2214
(D)	25-30	RS2215
(E)	30-35	RS1618
(F)	35-40	RS1619
(G)	40-45	RS1620
(H)	45-50	RS1621
(I)	50-55	RS1622
(J)	55-60	RS1623
(K)	60-65	RS1624
(L)	65-70	RS1625
(M)	70-75	RS1626
(N)	75-80	RS1627

3 660V 425A 4P Plug Body
Stock No : RS1760



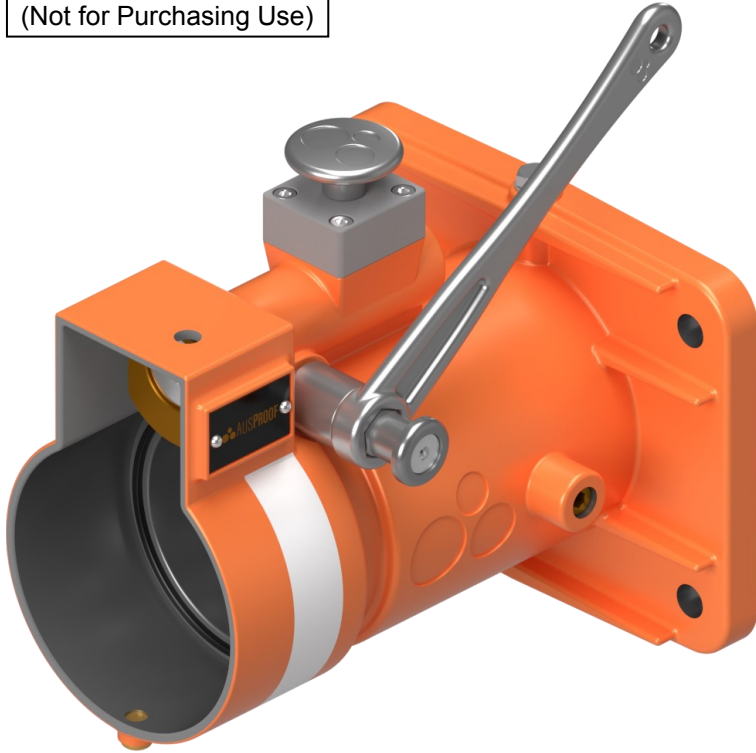
*Gland Reference Letter



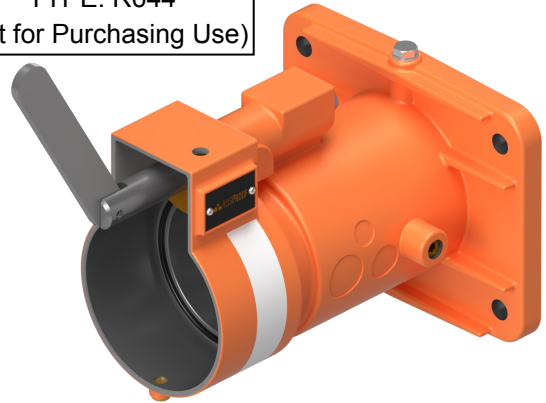
660V 425A 4 Pin PL Receptacle

3 Phase 1 Pilot

TYPE: QRR644
(Not for Purchasing Use)



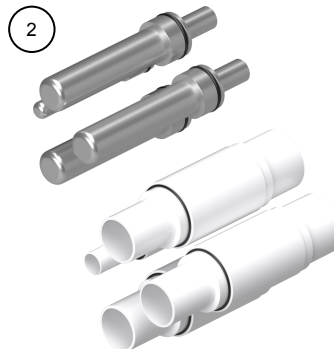
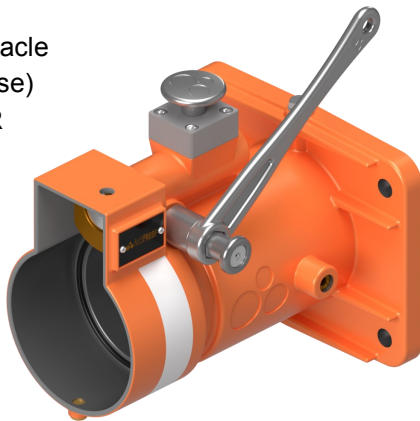
TYPE: R644
(Not for Purchasing Use)



Receptacle Type to Suit mm ² Cable Tails		
(mm ²)	(Quick Release) Stock No.	(Jack In) Stock No.
16	RS1439QR	RS1439
25	RS1440QR	RS1440
35	RS1441QR	RS1441
50	RS1442QR	RS1442
70	RS1443QR	RS1443
95	RS1444QR	RS1444
120	RS1445QR	RS1445
150	RS1446QR	RS1446
185	RS1447QR	RS1447

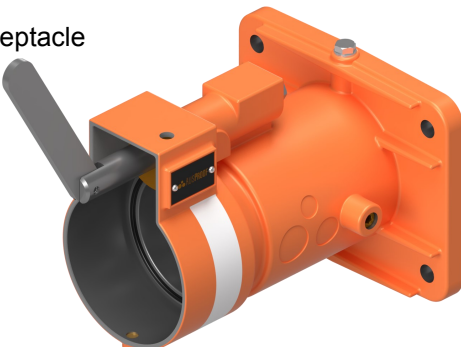
Part Breakdown For Customized Cables; One Of Each Type Required

1 660V 425A 4P Receptacle
Body Kit (Quick Release)
Stock No : RS1905QR



19 / 78 Style Contact + Insulator Sets		
(mm ²)	ID (mm)	Stock No.
16	6.5	RS1989
25	7.5	RS1990
35	9.0	RS1991
50	10.5	RS1992
70	12.5	RS1993
95	14.0	RS1994
120	16.0	RS1995
150	17.7	RS1996
185	19.5	RS1997

1 660V 425A 4P Receptacle
Body Kit (Jack-In)
Stock No : RS1905



3 4P Receptacle Cage
Stock No : RS1916

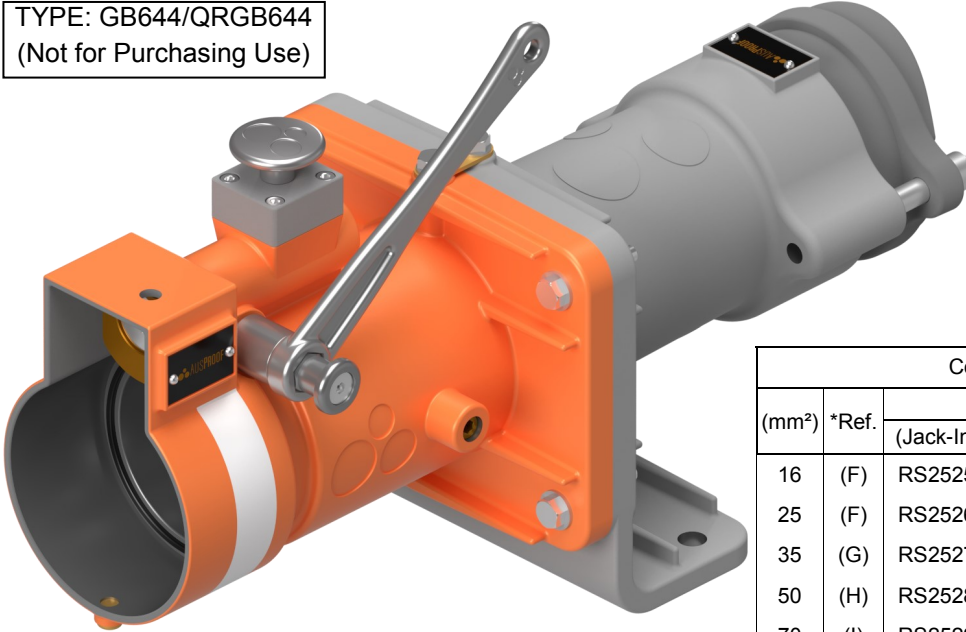
660V 425A 4 Pin PL Receptacle Gland Bracket (RGB)

3 Phase 1 Pilot



Built To Suit Cable Type

TYPE: GB644/QRGB644
(Not for Purchasing Use)



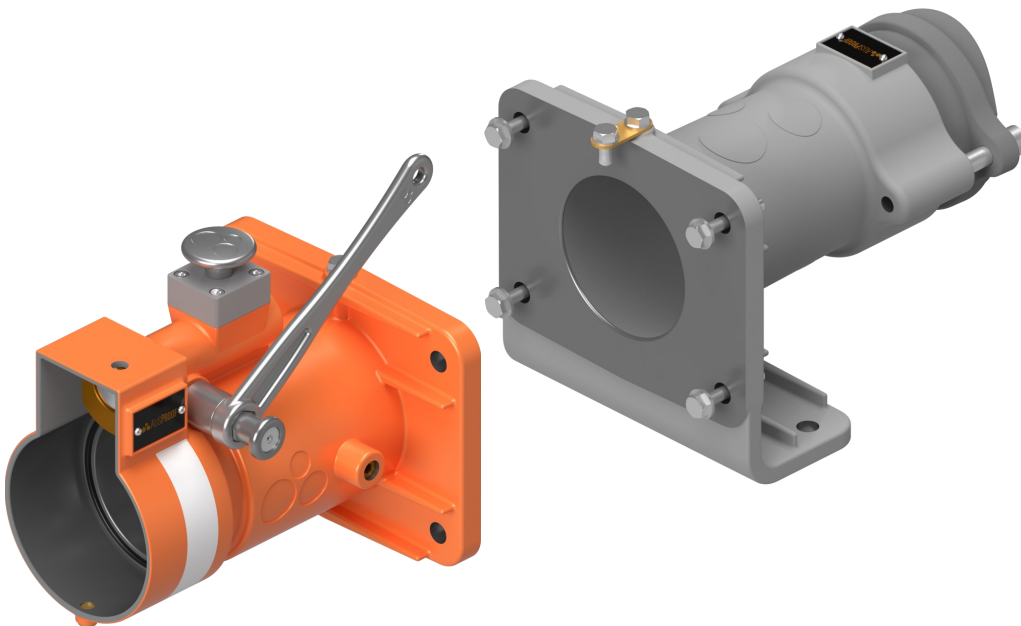
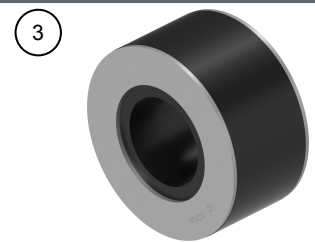
Complete RGB To Suit Cable Type						
(mm ²)	*Ref.	241.1		*Ref.	275.1	
		(Jack-In)	(Quick Release)		(Jack-In)	(Quick Release)
16	(F)	RS2525	RS2525QR	(E)	RS2534	RS2534QR
25	(F)	RS2526	RS2526QR	(E)	RS2535	RS2535QR
35	(G)	RS2527	RS2527QR	(F)	RS2536	RS2536QR
50	(H)	RS2528	RS2528QR	(G)	RS2537	RS25QR
70	(I)	RS2529	RS2529QR	-	-	-
95	(J)	RS2530	RS2530QR	-	-	-
120	(K)	RS2531	RS2531QR	-	-	-
150	(L)	RS2532	RS2532QR	-	-	-
185	(M)	RS2533	RS2533QR	-	-	-

*Gland Reference Letter

Part Breakdown For Customized Cables; One Of Each Type Required

① 660V 425A 4P Receptacle
Stock No: Refer to Page 10

② Gland Bracket Body Kit
Stock No. RS2510



Compression Gland Type		
*Ref.	Gland ID	Stock No.
(A)	10-15	RS2212
(B)	15-20	RS2213
(C)	20-25	RS2214
(D)	25-30	RS2215
(E)	30-35	RS1618
(F)	35-40	RS1619
(G)	40-45	RS1620
(H)	45-50	RS1621
(I)	50-55	RS1622
(J)	55-60	RS1623
(K)	60-65	RS1624
(L)	65-70	RS1625
(M)	70-75	RS1626
(N)	75-80	RS1627

*Gland Reference Letter

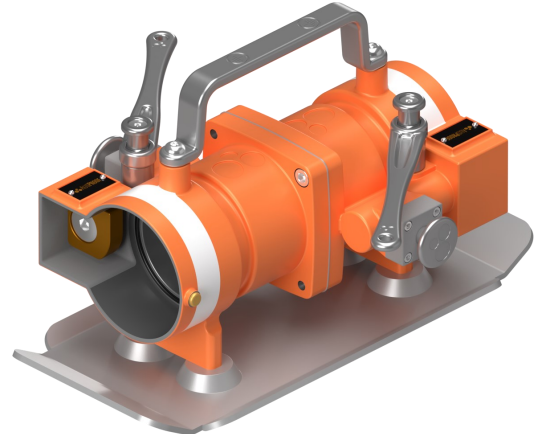
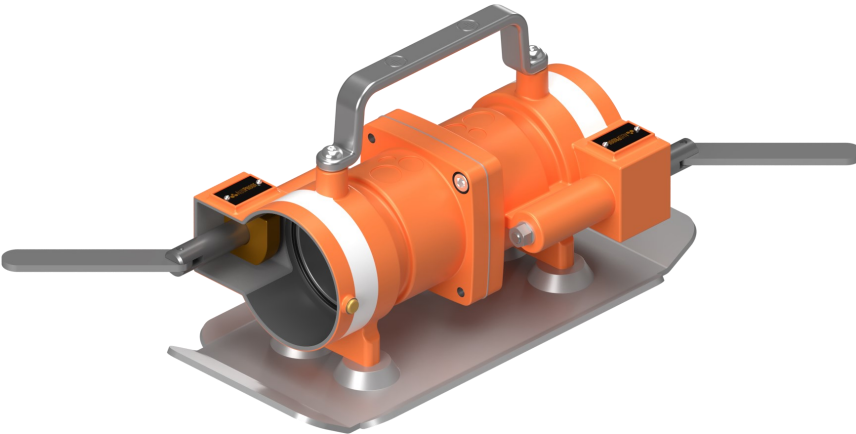


660V 425A 4 Pin PL Back to Back (B2B)

3 Phase 1 Pilot

TYPE: BB644
(Not for Purchasing Use)

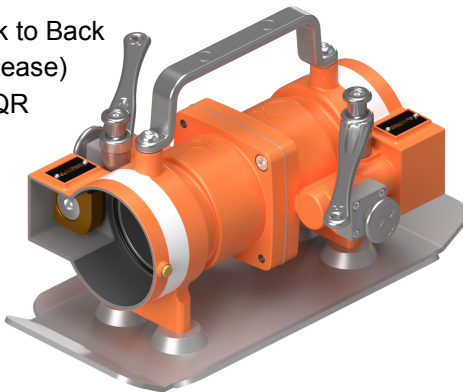
TYPE: QRBB644
(Not for Purchasing Use)



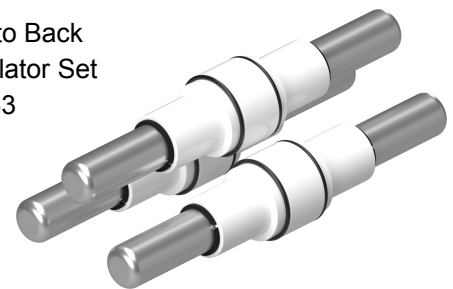
Complete Back to Back	
Jack-In	Quick Release
Stock No: RS2463	Stock No: RS2463QR

Part Breakdown For Repairs; One Of Each Type Required

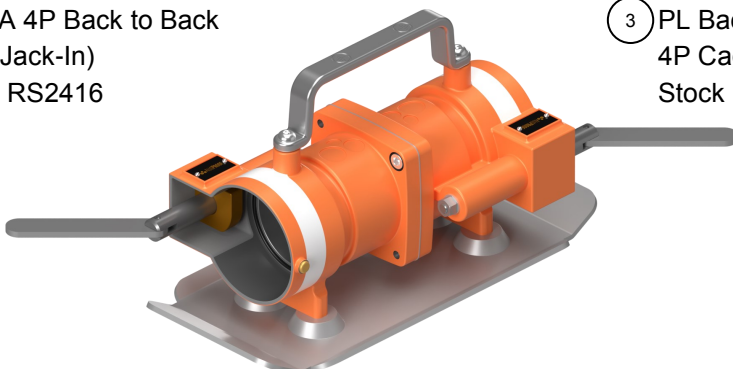
1 660V 425A 4P Back to Back
Body Kit (Quick Release)
Stock No. RS2416QR



2 PL 19 - 25 Back to Back
Contact and Insulator Set
Stock No. RS2453



1 660V 425A 4P Back to Back
Body Kit (Jack-In)
Stock No. RS2416



3 PL Back to Back
4P Cage Kit
Stock No. RS2437

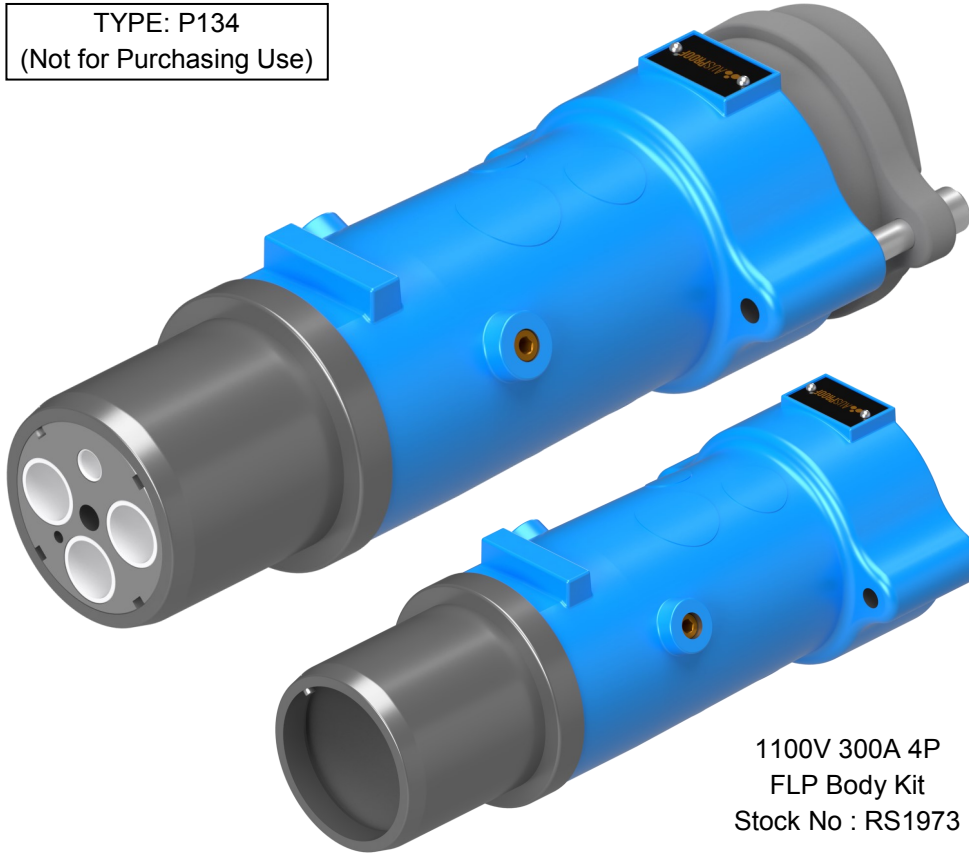




Pilot Orientation

Pre-Built To Suit Cable Type

TYPE: P134
(Not for Purchasing Use)

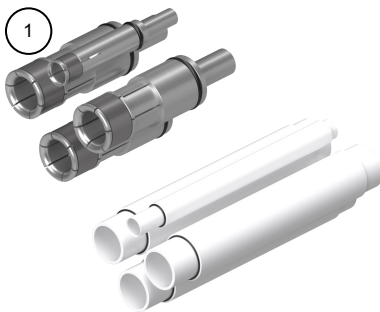


1100V 300A 4P
FLP Body Kit
Stock No : RS1973

Plug Type To Suit Cable Type				
(mm ²)	*Ref.	241.1	*Ref.	275.1
16	(F)	RS1448	(E)	RS2174
25	(F)	RS1449	(E)	RS2175
35	(G)	RS1450	(F)	RS2176
50	(H)	RS1451	(G)	RS2177
70	(I)	RS1452	-	-
95	(J)	RS1453	-	-
120	(K)	RS1454	-	-
150	(L)	RS1455	-	-
185	(M)	RS1456	-	-

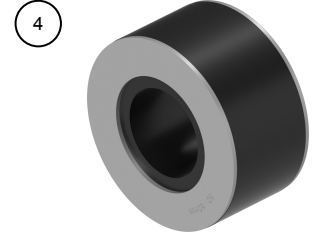
*Gland Reference Letter

Part Breakdown For Customized Cables; One Of Each Type Required



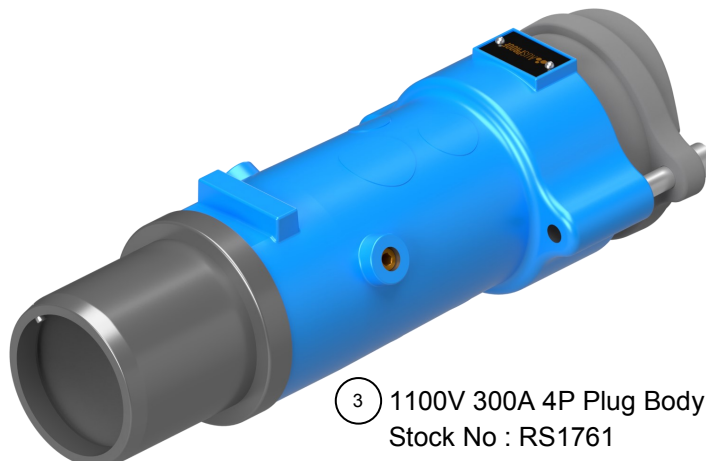
16 / 25 Style Contact + Insulator Sets		
(mm ²)	ID (mm)	Stock No.
16	6.5	RS1933
25	7.5	RS1934
35	9.0	RS1935
50	10.5	RS1936
70	12.5	RS1937
95	14.0	RS1938
120	16.0	RS1939
150	17.7	RS1940
185	19.5	RS1941

② 4P Front Cage
Stock No : RS1914



Compression Gland Type		
*Ref.	Gland ID	Stock No.
(A)	10-15	RS2212
(B)	15-20	RS2213
(C)	20-25	RS2214
(D)	25-30	RS2215
(E)	30-35	RS1618
(F)	35-40	RS1619
(G)	40-45	RS1620
(H)	45-50	RS1621
(I)	50-55	RS1622
(J)	55-60	RS1623
(K)	60-65	RS1624
(L)	65-70	RS1625
(M)	70-75	RS1626
(N)	75-80	RS1627

③ 1100V 300A 4P Plug Body
Stock No : RS1761



*Gland Reference Letter

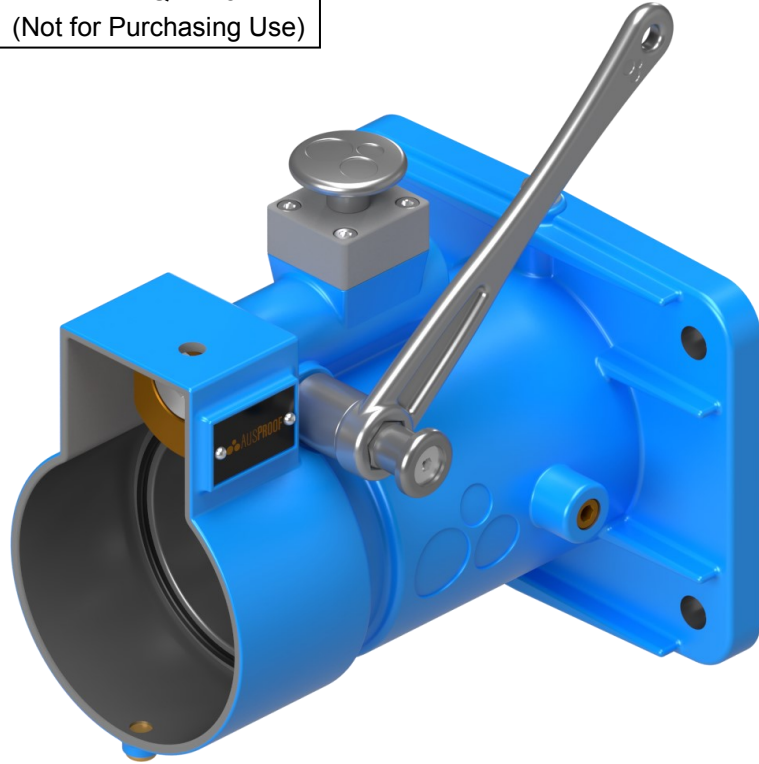


1100V 300A 4 Pin PL Receptacle

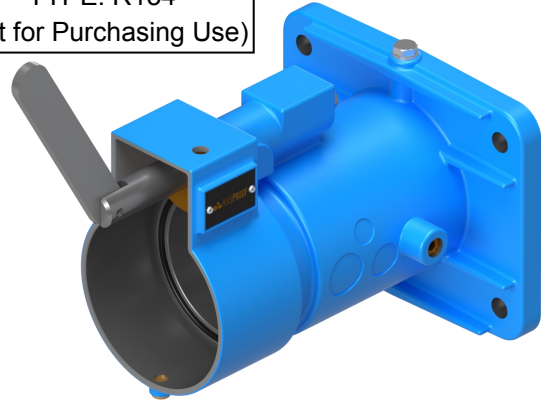
3 Phase 1 Pilot

Pre-Built To Suit Cable Type

TYPE: QRR134
(Not for Purchasing Use)



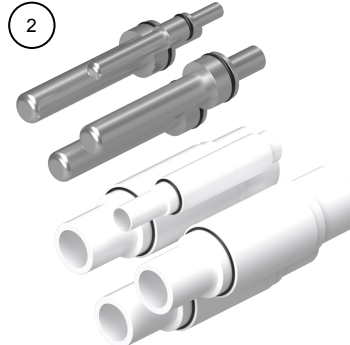
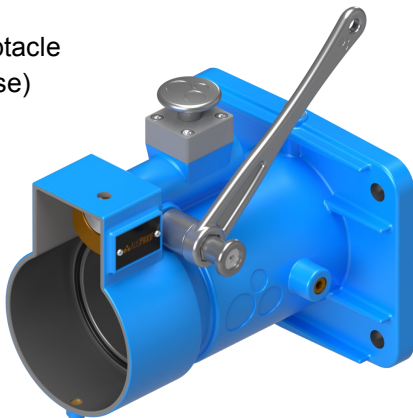
TYPE: R134
(Not for Purchasing Use)



Receptacle Type to Suit mm ² Cable Tails		
(mm ²)	(Quick Release) Stock No.	(Jack In) Stock No.
16	RS1457QR	RS1457
25	RS1458QR	RS1458
35	RS1459QR	RS1459
50	RS1460QR	RS1460
70	RS1461QR	RS1461
95	RS1462QR	RS1462
120	RS1463QR	RS1463
150	RS1464QR	RS1464
185	RS1465QR	RS1465

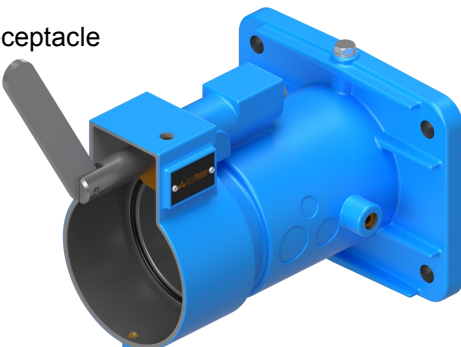
Part Breakdown For Customized Cables; One Of Each Type Required

1 1100V 300A 4P Receptacle
Body Kit (Quick Release)
Stock No : RS1906QR



16 / 78 Style Contact + Insulator Sets		
(mm ²)	ID (mm)	Stock No.
16	6.5	RS1998
25	7.5	RS1999
35	9.0	RS2081
50	10.5	RS2082
70	12.5	RS2083
95	14.0	RS2084
120	16.0	RS2085
150	17.7	RS2086
185	19.5	RS2087

1 1100V 300A 4P Receptacle
Body Kit (Jack-In)
Stock No : RS1906

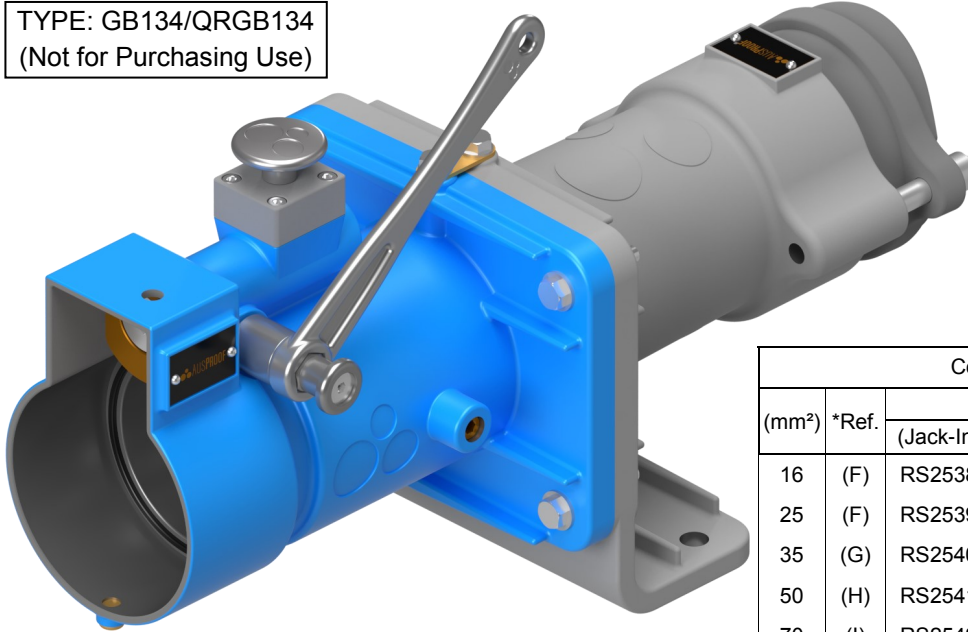


3 4P Receptacle Cage
Stock No : RS1916



Built To Suit Cable Type

TYPE: GB134/QRGB134
(Not for Purchasing Use)



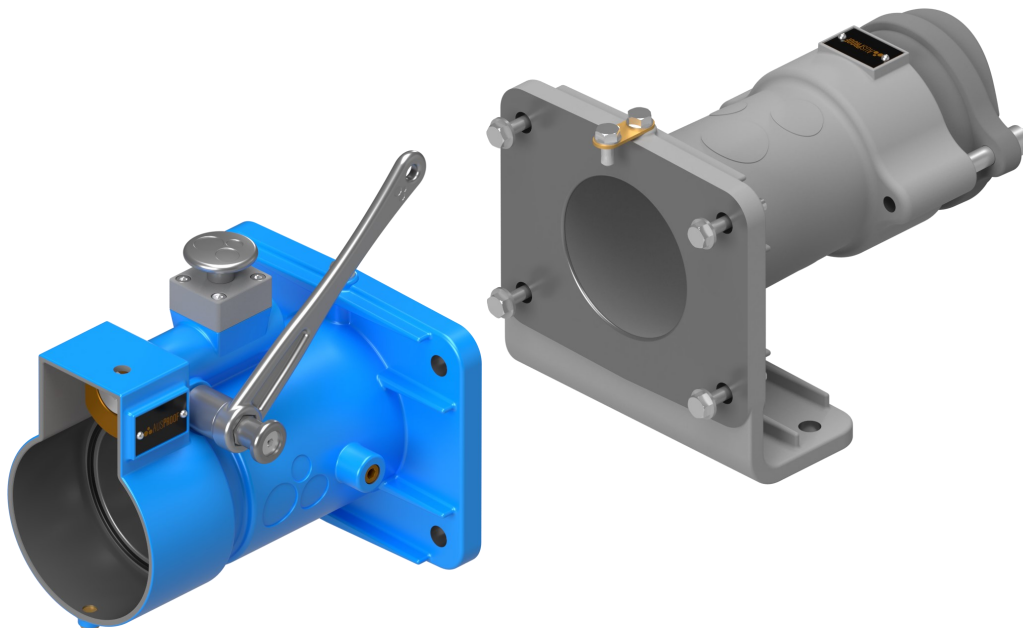
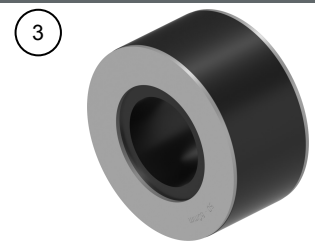
Complete RGB To Suit Cable Type						
(mm ²)	*Ref.	241.1		*Ref.	275.1	
		(Jack-In)	(Quick Release)		(Jack-In)	(Quick Release)
16	(F)	RS2538	RS2538QR	(E)	RS2547	RS2547QR
25	(F)	RS2539	RS2539QR	(E)	RS2548	RS2548QR
35	(G)	RS2540	RS2540QR	(F)	RS2549	RS2549QR
50	(H)	RS2541	RS2541QR	(G)	RS2550	RS2550QR
70	(I)	RS2542	RS2542QR	-	-	-
95	(J)	RS2543	RS2543QR	-	-	-
120	(K)	RS2544	RS2544QR	-	-	-
150	(L)	RS2545	RS2545QR	-	-	-
185	(M)	RS2546	RS2546QR	-	-	-

*Gland Reference Letter

Part Breakdown For Customized Cables; One Of Each Type Required

① 1100V 300A 4P Receptacle
Stock No: Refer to Page 14

② Gland Bracket Body Kit
Stock No. RS2510



Compression Gland Type		
*Ref.	Gland ID	Stock No.
(A)	10-15	RS2212
(B)	15-20	RS2213
(C)	20-25	RS2214
(D)	25-30	RS2215
(E)	30-35	RS1618
(F)	35-40	RS1619
(G)	40-45	RS1620
(H)	45-50	RS1621
(I)	50-55	RS1622
(J)	55-60	RS1623
(K)	60-65	RS1624
(L)	65-70	RS1625
(M)	70-75	RS1626
(N)	75-80	RS1627

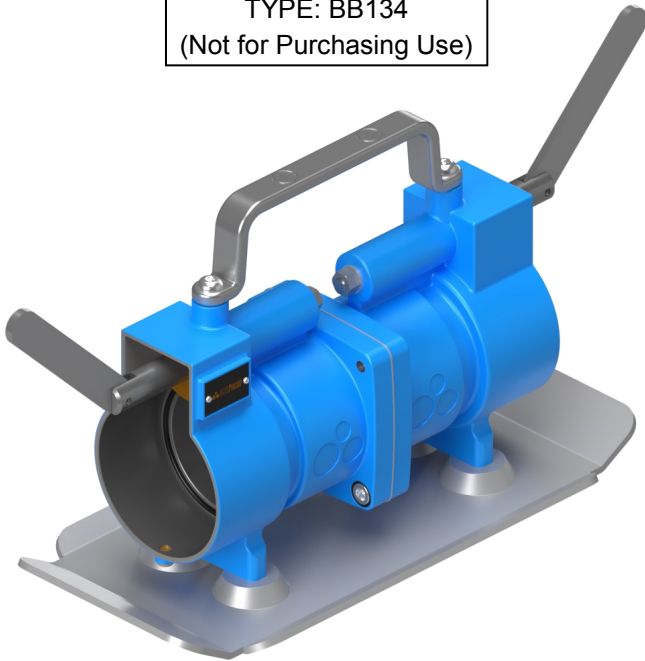
*Gland Reference Letter



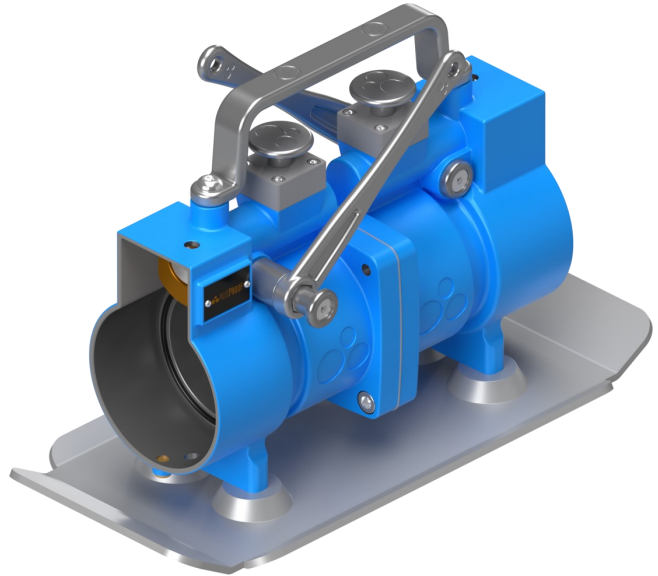
1100V 300A 4 Pin PL Back to Back (B2B)

3 Phase 1 Pilot

TYPE: BB134
(Not for Purchasing Use)



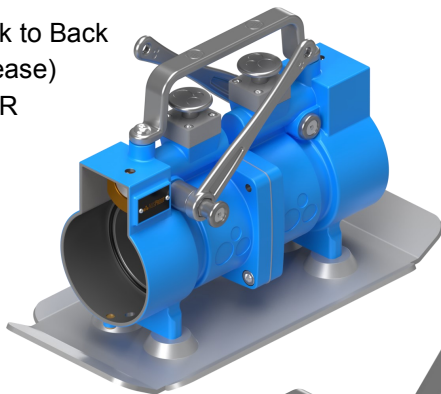
TYPE: QRBB134
(Not for Purchasing Use)



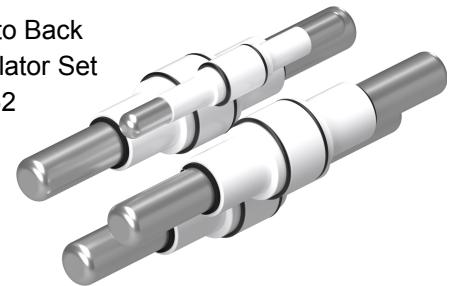
Complete Back to Back	
Jack-In	Quick Release
Stock No: RS2464	Stock No: RS2464QR

Part Breakdown For Repairs; One Of Each Type Required

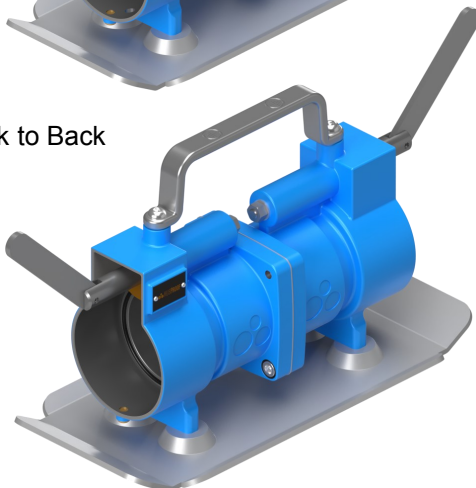
- 1 1100V 300A 4P Back to Back Body Kit (Quick Release)
Stock No. RS2417QR



- 2 PL 16 - 25 Back to Back Contact and Insulator Set
Stock No. RS2452



- 1 1100V 300A 4P Back to Back Body Kit (Jack-In)
Stock No. RS2417



- 3 PL Back to Back 4P Cage Kit
Stock No. RS2437

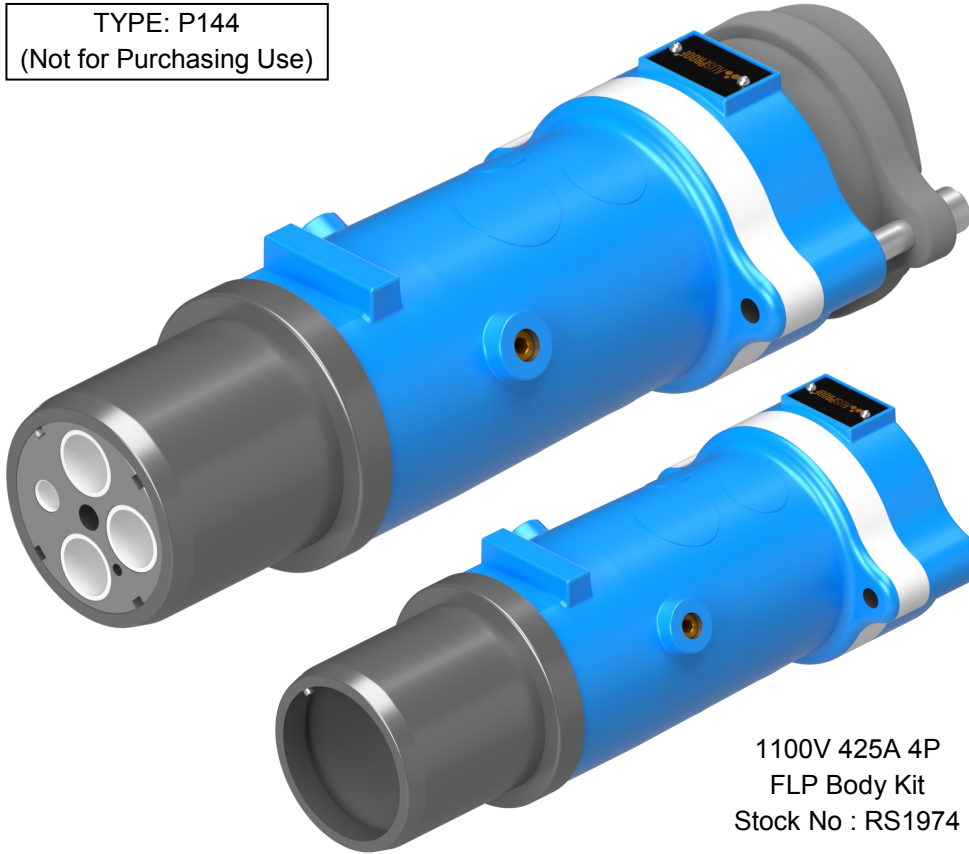




Pilot Orientation

Pre-Built To Suit Cable Type

TYPE: P144
(Not for Purchasing Use)

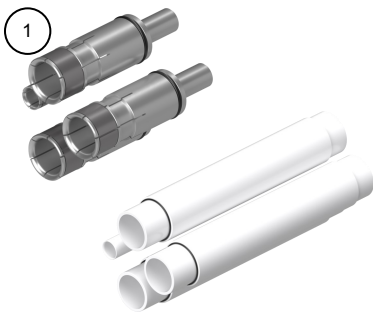


1100V 425A 4P
FLP Body Kit
Stock No : RS1974

Plug Type To Suit Cable Type				
(mm ²)	*Ref.	241.1	*Ref.	275.1
16	(F)	RS1484	(E)	RS2178
25	(F)	RS1485	(E)	RS2179
35	(G)	RS1486	(F)	RS2180
50	(H)	RS1487	(G)	RS2181
70	(I)	RS1488	-	-
95	(J)	RS1489	-	-
120	(K)	RS1490	-	-
150	(L)	RS1491	-	-
185	(M)	RS1492	-	-

*Gland Reference Letter

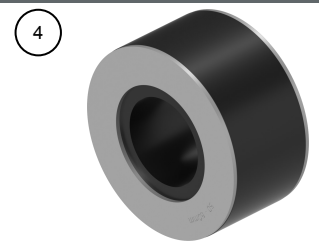
Part Breakdown For Customized Cables; One Of Each Type Required



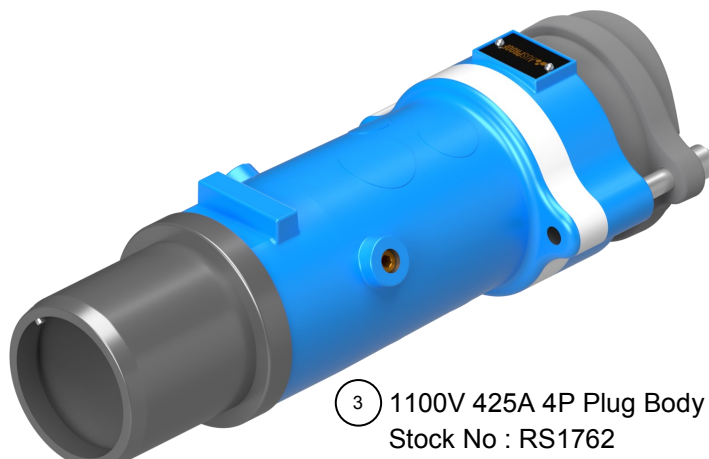
19 / 25 Style Contact + Insulator Sets		
(mm ²)	ID (mm)	Stock No.
16	6.5	RS1932
25	7.5	RS1931
35	9.0	RS1930
50	10.5	RS1929
70	12.5	RS1928
95	14.0	RS1927
120	16.0	RS1926
150	17.7	RS1925
185	19.5	RS1924



2 4P Front Cage
Stock No : RS1914



Compression Gland Type		
*Ref.	Gland ID	Stock No.
(A)	10-15	RS2212
(B)	15-20	RS2213
(C)	20-25	RS2214
(D)	25-30	RS2215
(E)	30-35	RS1618
(F)	35-40	RS1619
(G)	40-45	RS1620
(H)	45-50	RS1621
(I)	50-55	RS1622
(J)	55-60	RS1623
(K)	60-65	RS1624
(L)	65-70	RS1625
(M)	70-75	RS1626
(N)	75-80	RS1627



3 1100V 425A 4P Plug Body
Stock No : RS1762

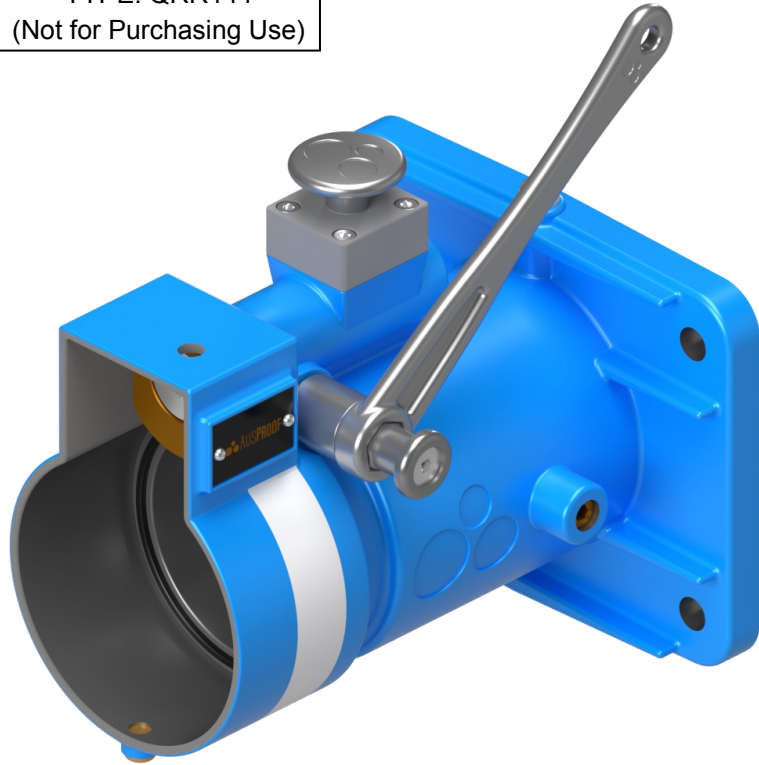
*Gland Reference Letter



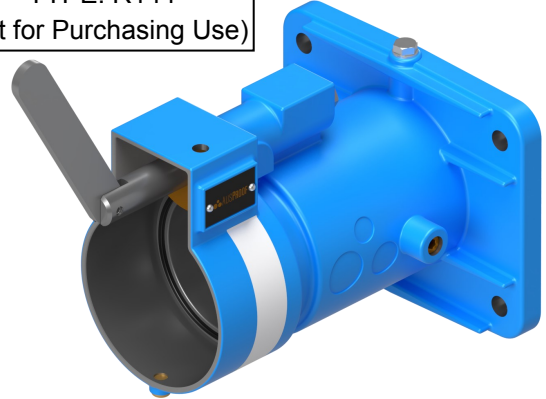
1100V 425A 4 Pin PL Receptacle

3 Phase 1 Pilot

TYPE: QRR144
(Not for Purchasing Use)



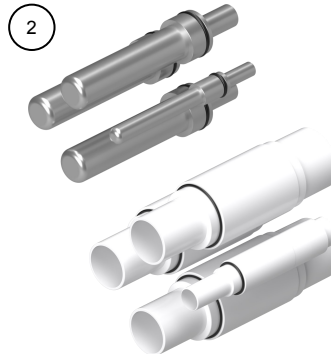
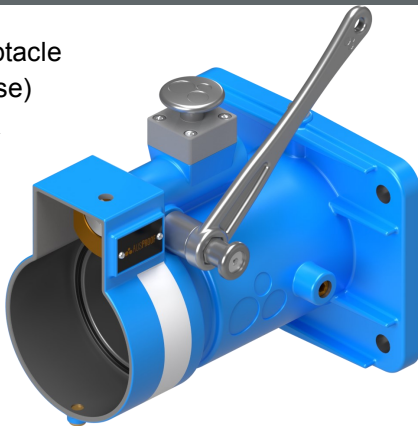
TYPE: R144
(Not for Purchasing Use)



Receptacle Type to Suit mm ² Cable Tails		
(mm ²)	(Quick Release) Stock No.	(Jack In) Stock No.
16	RS1493QR	RS1493
25	RS1494QR	RS1494
35	RS1495QR	RS1495
50	RS1496QR	RS1496
70	RS1497QR	RS1497
95	RS1498QR	RS1498
120	RS1499QR	RS1499
150	RS1500QR	RS1500
185	RS1501QR	RS1501

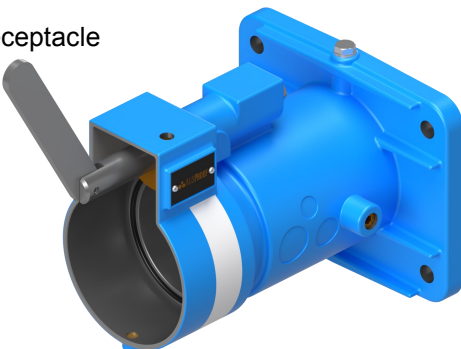
Part Breakdown For Customized Cables; One Of Each Type Required

1 1100V 425A 4P Receptacle
Body Kit (Quick Release)
Stock No : RS1907QR



19 / 78 Style Contact + Insulator Sets		
(mm ²)	ID (mm)	Stock No.
16	6.5	RS1989
25	7.5	RS1990
35	9.0	RS1991
50	10.5	RS1992
70	12.5	RS1993
95	14.0	RS1994
120	16.0	RS1995
150	17.7	RS1996
185	19.5	RS1997

1 1100V 425A 4P Receptacle
Body Kit (Jack-In)
Stock No : RS1907

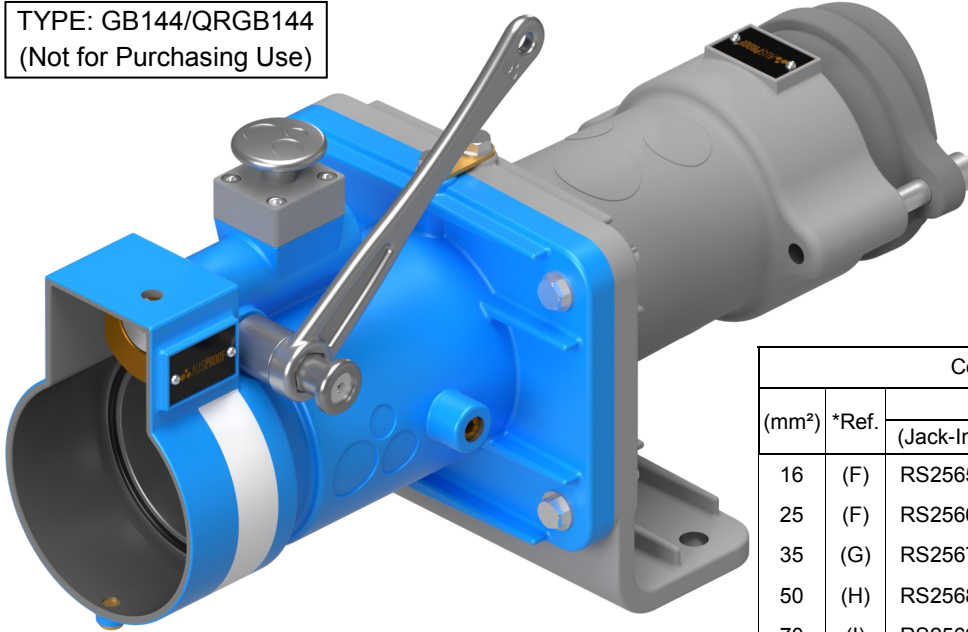


3 4P Receptacle Cage
Stock No : RS1916



Built To Suit Cable Type

TYPE: GB144/QRGB144
(Not for Purchasing Use)



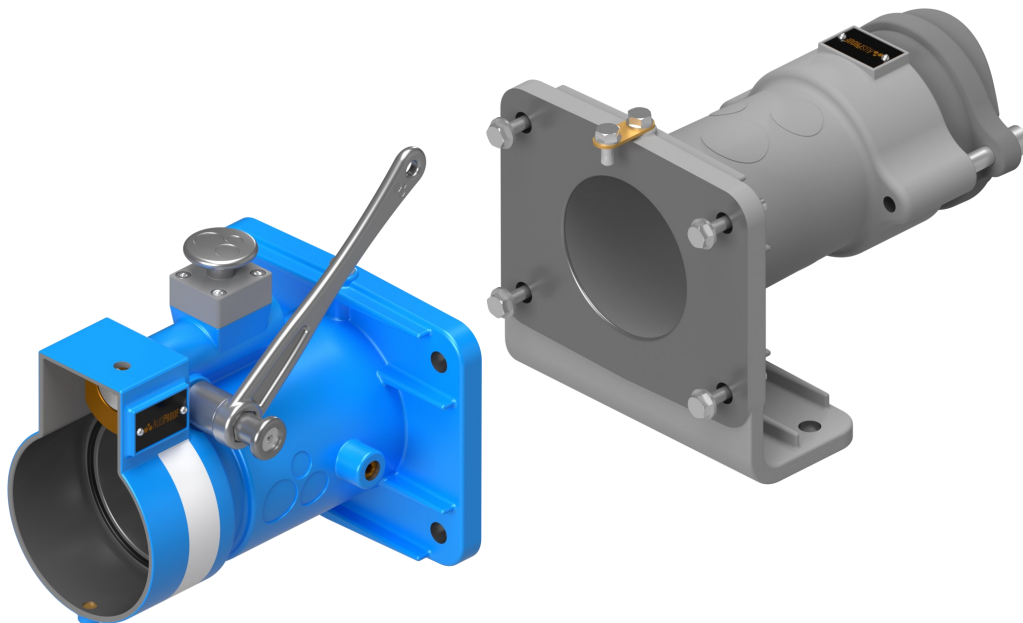
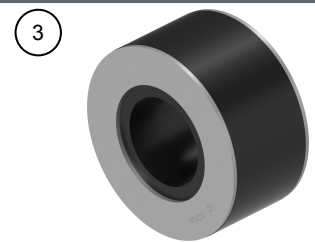
Complete RGB To Suit Cable Type						
(mm ²)	*Ref.	241.1		*Ref.	275.1	
		(Jack-In)	(Quick Release)		(Jack-In)	(Quick Release)
16	(F)	RS2565	RS2565QR	(E)	RS2574	RS2574QR
25	(F)	RS2566	RS2566QR	(E)	RS2575	RS2575QR
35	(G)	RS2567	RS2567QR	(F)	RS2576	RS2576QR
50	(H)	RS2568	RS2568QR	(G)	RS2577	RS2577QR
70	(I)	RS2569	RS2569QR	-	-	-
95	(J)	RS2570	RS2570QR	-	-	-
120	(K)	RS2571	RS2571QR	-	-	-
150	(L)	RS2572	RS2572QR	-	-	-
185	(M)	RS2573	RS2573QR	-	-	-

*Gland Reference Letter

Part Breakdown For Customized Cables; One Of Each Type Required

① 1100V 425A 4P Receptacle
Stock No: Refer to Page 18

② Gland Bracket Body Kit
Stock No. RS2510



Compression Gland Type		
*Ref.	Gland ID	Stock No.
(A)	10-15	RS2212
(B)	15-20	RS2213
(C)	20-25	RS2214
(D)	25-30	RS2215
(E)	30-35	RS1618
(F)	35-40	RS1619
(G)	40-45	RS1620
(H)	45-50	RS1621
(I)	50-55	RS1622
(J)	55-60	RS1623
(K)	60-65	RS1624
(L)	65-70	RS1625
(M)	70-75	RS1626
(N)	75-80	RS1627

*Gland Reference Letter

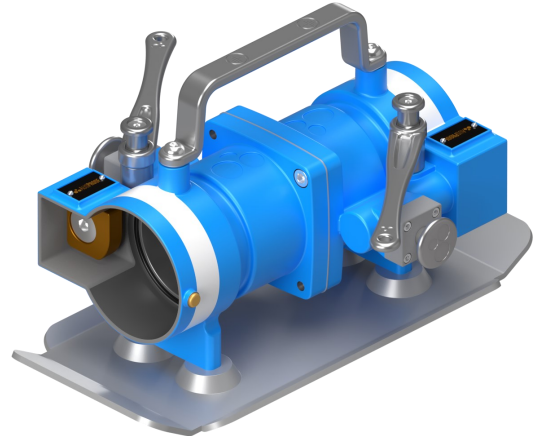
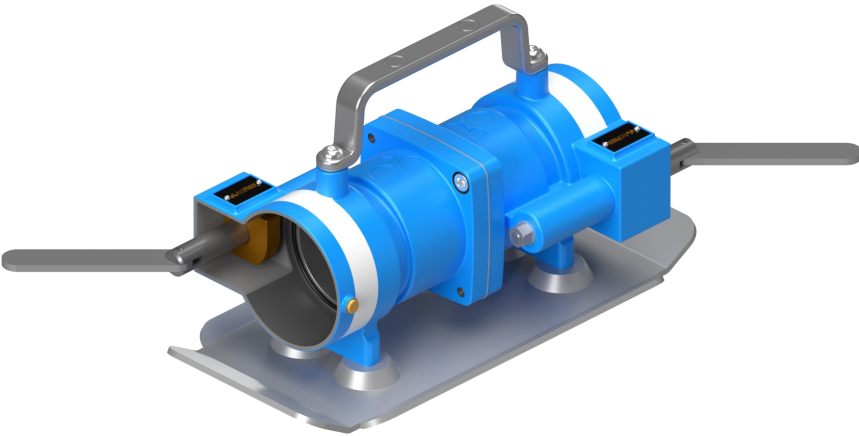


1100V 425A 4 Pin PL Back to Back (B2B)

3 Phase 1 Pilot

TYPE: BB144
(Not for Purchasing Use)

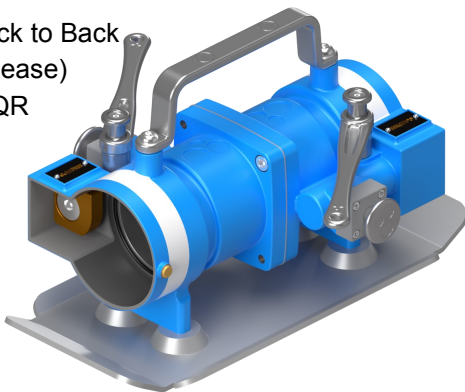
TYPE: QRBB144
(Not for Purchasing Use)



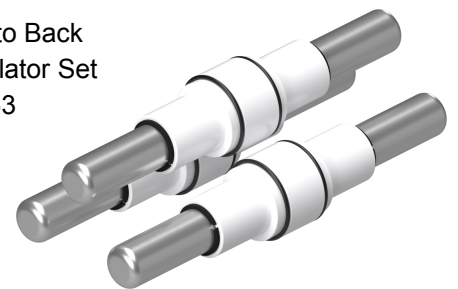
Complete Back to Back	
Jack-In	Quick Release
Stock No: RS2465	Stock No: RS2465QR

Part Breakdown For Repairs; One Of Each Type Required

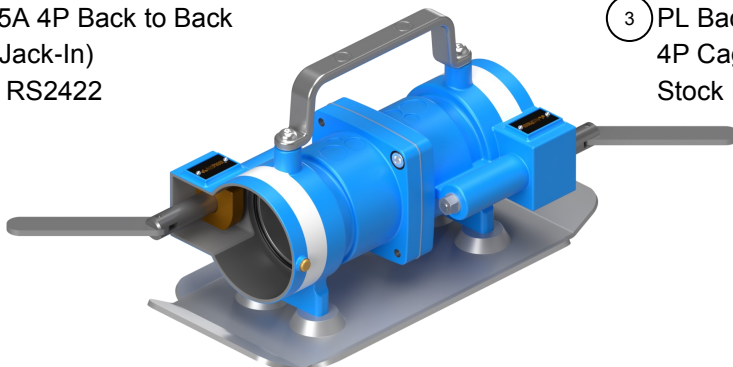
- 1 1100V 425A 4P Back to Back Body Kit (Quick Release)
Stock No. RS2422QR



- 2 PL 19 - 25 Back to Back Contact and Insulator Set
Stock No. RS2453



- 1 1100V 425A 4P Back to Back Body Kit (Jack-In)
Stock No. RS2422



- 3 PL Back to Back 4P Cage Kit
Stock No. RS2437

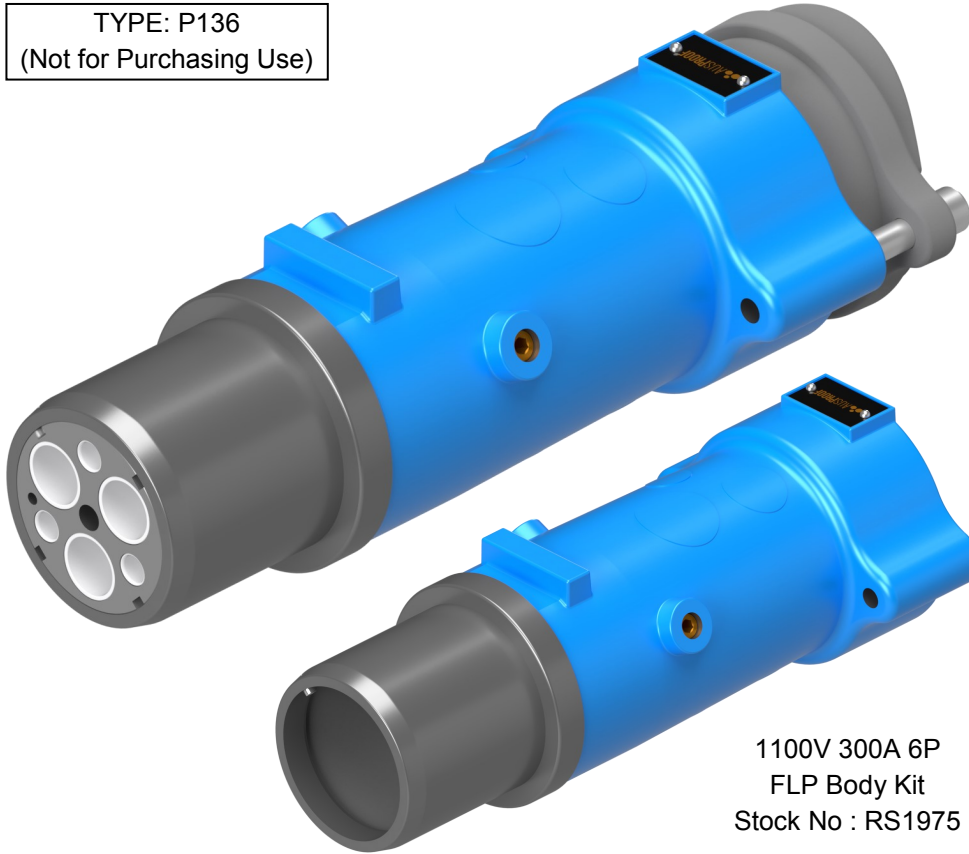




Pilot Orientation

Pre-Built To Suit Cable Type

TYPE: P136
(Not for Purchasing Use)

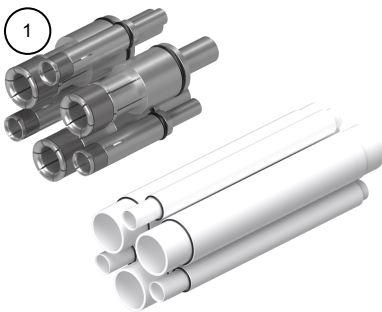


1100V 300A 6P
FLP Body Kit
Stock No : RS1975

Plug Type To Suit Cable Type				
(mm ²)	*Ref.	241.1	*Ref.	245.1
16	(F)	RS1466	-	-
25	(F)	RS1467	-	-
35	(G)	RS1468	-	-
50	(H)	RS1469	(H)	RS2182
70	(I)	RS1470	(I)	RS2183
95	(J)	RS1471	(J)	RS2184
120	(K)	RS1472	(L)	RS2185
150	(L)	RS1473	(M)	RS2186
185	(M)	RS1474	-	-

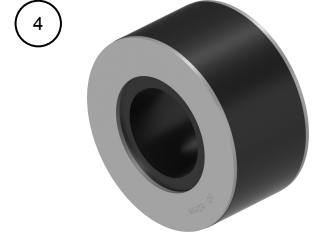
*Gland Reference Letter

Part Breakdown For Customized Cables; One Of Each Type Required



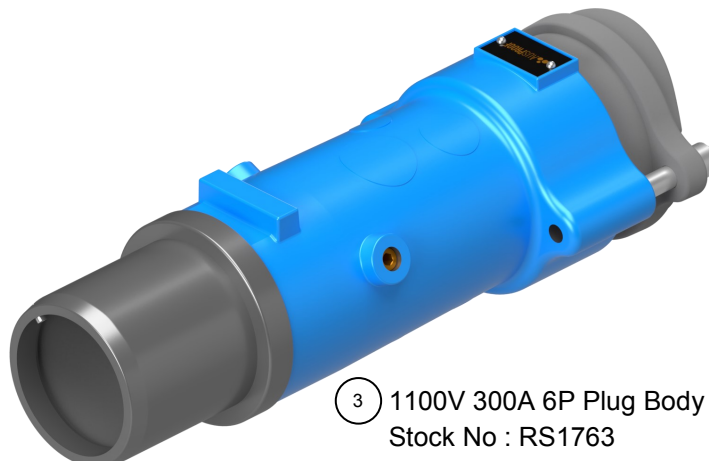
12 / 25 Style Contact + Insulator Sets		
(mm ²)	ID (mm)	Stock No.
16	6.5	RS1942
25	7.5	RS1943
35	9.0	RS1944
50	10.5	RS1945
70	12.5	RS1946
95	14.0	RS1947
120	16.0	RS1948
150	17.7	RS1949
185	19.5	RS1950

2 6P Front Cage
Stock No : RS1915



Compression Gland Type		
*Ref.	Gland ID	Stock No.
(A)	10-15	RS2212
(B)	15-20	RS2213
(C)	20-25	RS2214
(D)	25-30	RS2215
(E)	30-35	RS1618
(F)	35-40	RS1619
(G)	40-45	RS1620
(H)	45-50	RS1621
(I)	50-55	RS1622
(J)	55-60	RS1623
(K)	60-65	RS1624
(L)	65-70	RS1625
(M)	70-75	RS1626
(N)	75-80	RS1627

3 1100V 300A 6P Plug Body
Stock No : RS1763



*Gland Reference Letter

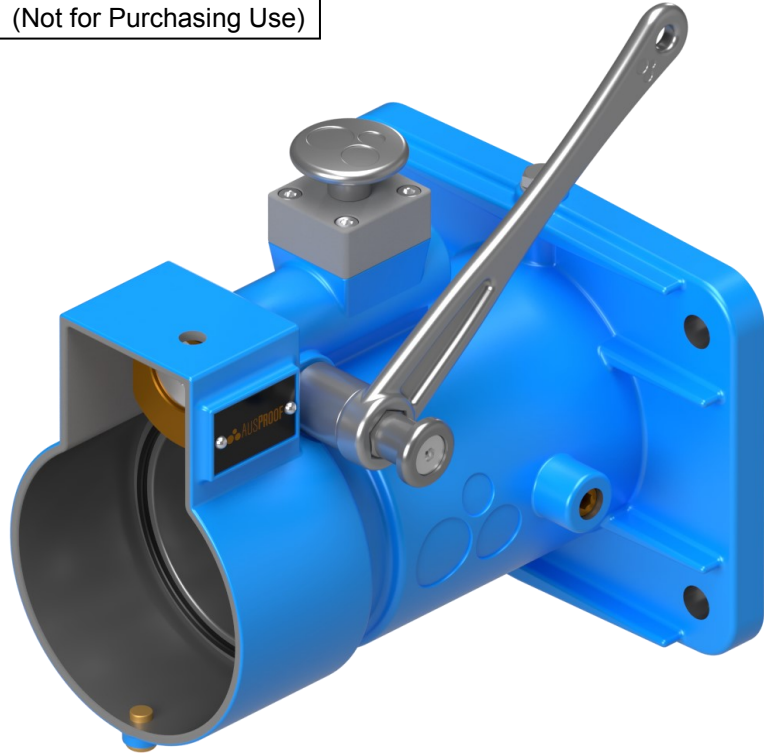


1100V 300A 6 Pin PL Receptacle

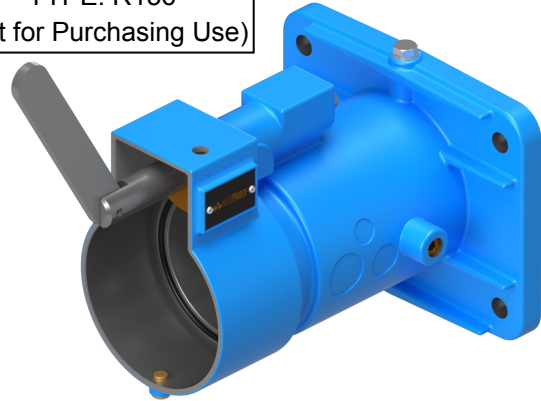
3 Phase 3 Pilot

Pre-Built To Suit Cable Type

TYPE: QRR136
(Not for Purchasing Use)



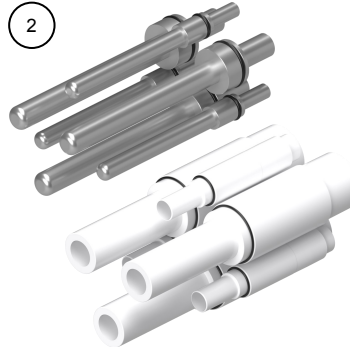
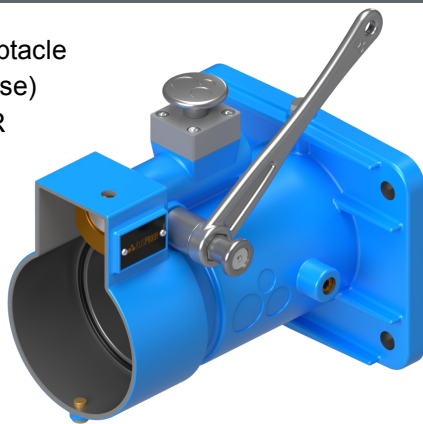
TYPE: R136
(Not for Purchasing Use)



Receptacle Type to Suit mm ² Cable Tails		
(mm ²)	(Quick Release) Stock No.	(Jack In) Stock No.
16	RS1475QR	RS1475
25	RS1476QR	RS1476
35	RS1477QR	RS1477
50	RS1478QR	RS1478
70	RS1479QR	RS1479
95	RS1480QR	RS1480
120	RS1481QR	RS1481
150	RS1482QR	RS1482
185	RS1483QR	RS1483

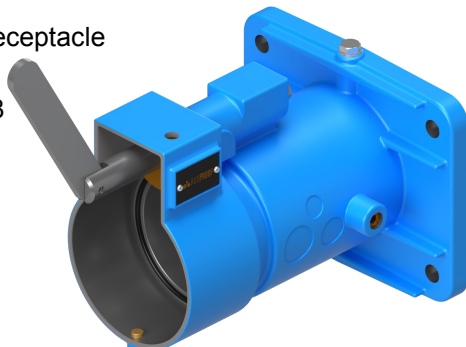
Part Breakdown For Customized Cables; One Of Each Type Required

1 1100V 300A 6P Receptacle
Body Kit (Quick Release)
Stock No : RS1908QR



12 / 106 Style Contact + Insulator Sets		
(mm ²)	ID (mm)	Stock No.
16	6.5	RS2088
25	7.5	RS2089
35	9.0	RS2090
50	10.5	RS2091
70	12.5	RS2092
95	14.0	RS2093
120	16.0	RS2094
150	17.7	RS2095
185	19.5	RS2096

1 1100V 300A 6P Receptacle
Body Kit (Jack-In)
Stock No : RS1908

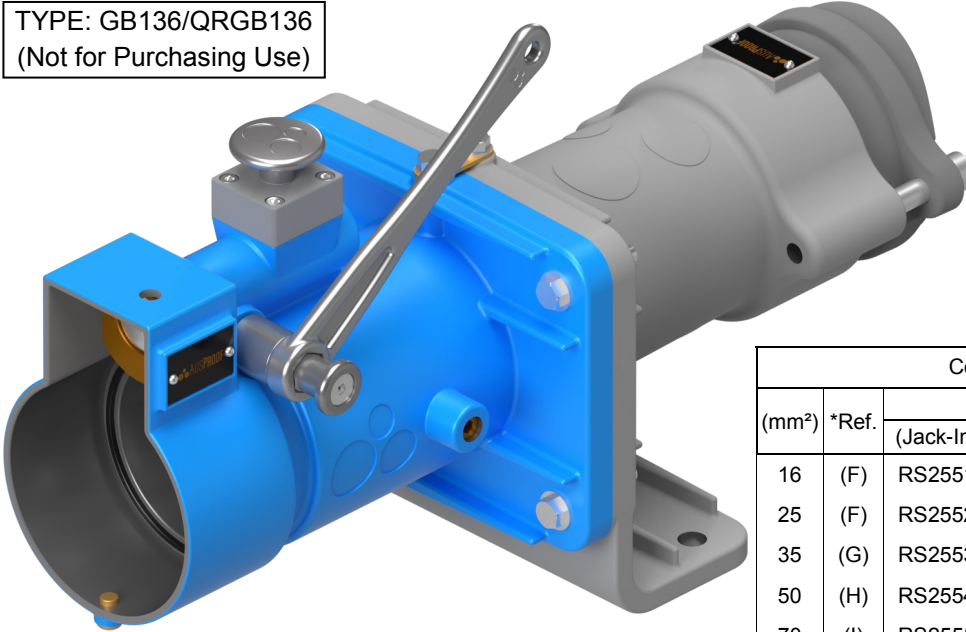


3 6P Receptacle Cage
Stock No : RS1917



Built To Suit Cable Type

TYPE: GB136/QRGB136
(Not for Purchasing Use)



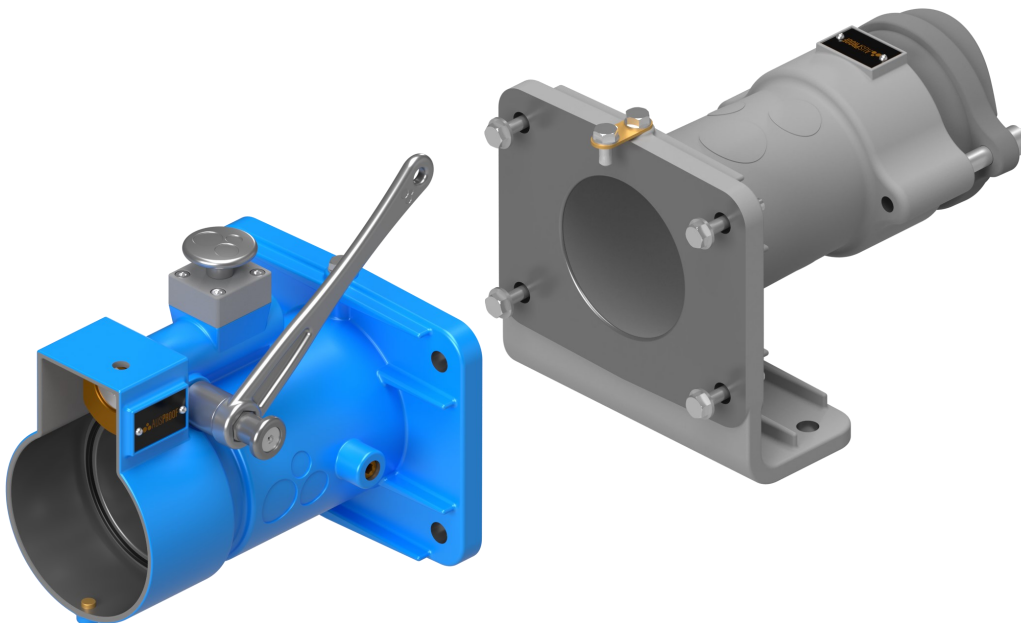
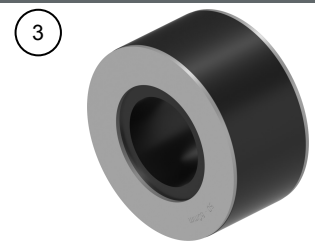
Complete RGB To Suit Cable Type						
(mm ²)	*Ref.	241.1		*Ref.	275.1	
		(Jack-In)	(Quick Release)		(Jack-In)	(Quick Release)
16	(F)	RS2551	RS2551QR	-	-	-
25	(F)	RS2552	RS2552QR	-	-	-
35	(G)	RS2553	RS2553QR	-	-	-
50	(H)	RS2554	RS2554QR	(H)	RS2560	RS2560QR
70	(I)	RS2555	RS2555QR	(I)	RS2561	RS2561QR
95	(J)	RS2556	RS2556QR	(J)	RS2562	RS2562QR
120	(K)	RS2557	RS2557QR	(L)	RS2563	RS2563QR
150	(L)	RS2558	RS2558QR	(M)	RS2564	RS2564QR
185	(M)	RS2559	RS2559QR	-	-	-

*Gland Reference Letter

Part Breakdown For Customized Cables; One Of Each Type Required

① 1100V 300A 6P Receptacle
Stock No: Refer to Page 22

② Gland Bracket Body Kit
Stock No. RS2510



Compression Gland Type		
*Ref.	Gland ID	Stock No.
(A)	10-15	RS2212
(B)	15-20	RS2213
(C)	20-25	RS2214
(D)	25-30	RS2215
(E)	30-35	RS1618
(F)	35-40	RS1619
(G)	40-45	RS1620
(H)	45-50	RS1621
(I)	50-55	RS1622
(J)	55-60	RS1623
(K)	60-65	RS1624
(L)	65-70	RS1625
(M)	70-75	RS1626
(N)	75-80	RS1627

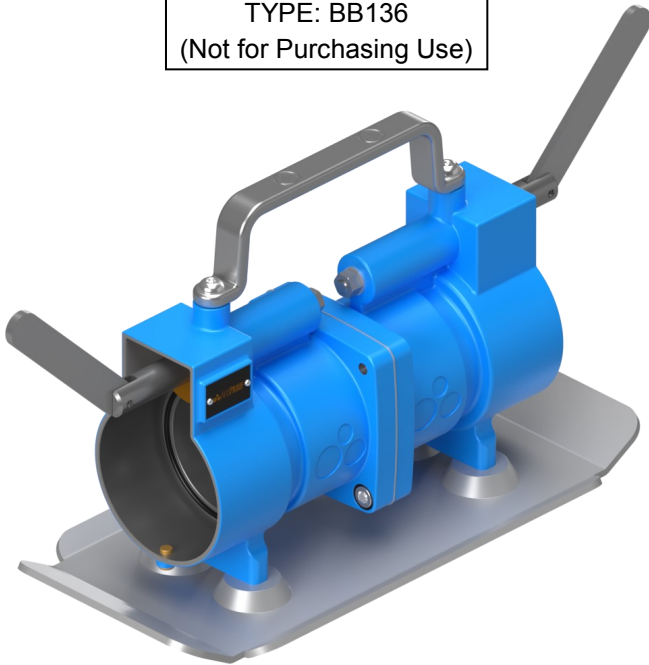
*Gland Reference Letter



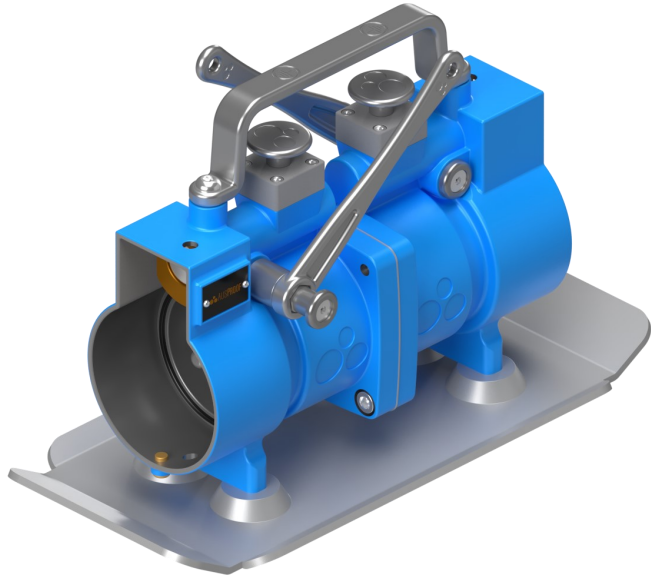
1100V 300A 6 Pin PL Back to Back (B2B)

3 Phase 3 Pilot

TYPE: BB136
(Not for Purchasing Use)



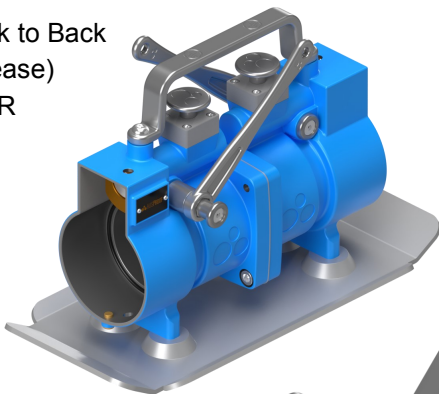
TYPE: QRBB136
(Not for Purchasing Use)



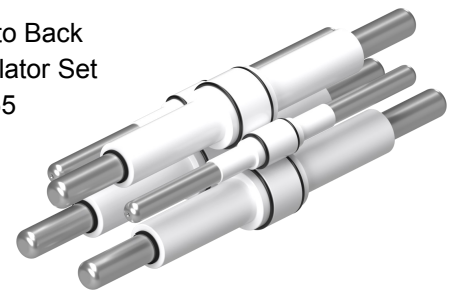
Complete Back to Back	
Jack-In	Quick Release
Stock No: RS2466	Stock No: RS2466QR

Part Breakdown For Repairs; One Of Each Type Required

- 1 1100V 300A 6P Back to Back Body Kit (Quick Release)
Stock No. RS2418QR



- 2 PL 12 - 25 Back to Back Contact and Insulator Set
Stock No. RS2455



- 1 1100V 300A 6P Back to Back Body Kit (Jack-In)
Stock No. RS2418



- 3 PL Back to Back 6P Cage Kit
Stock No. RS2654

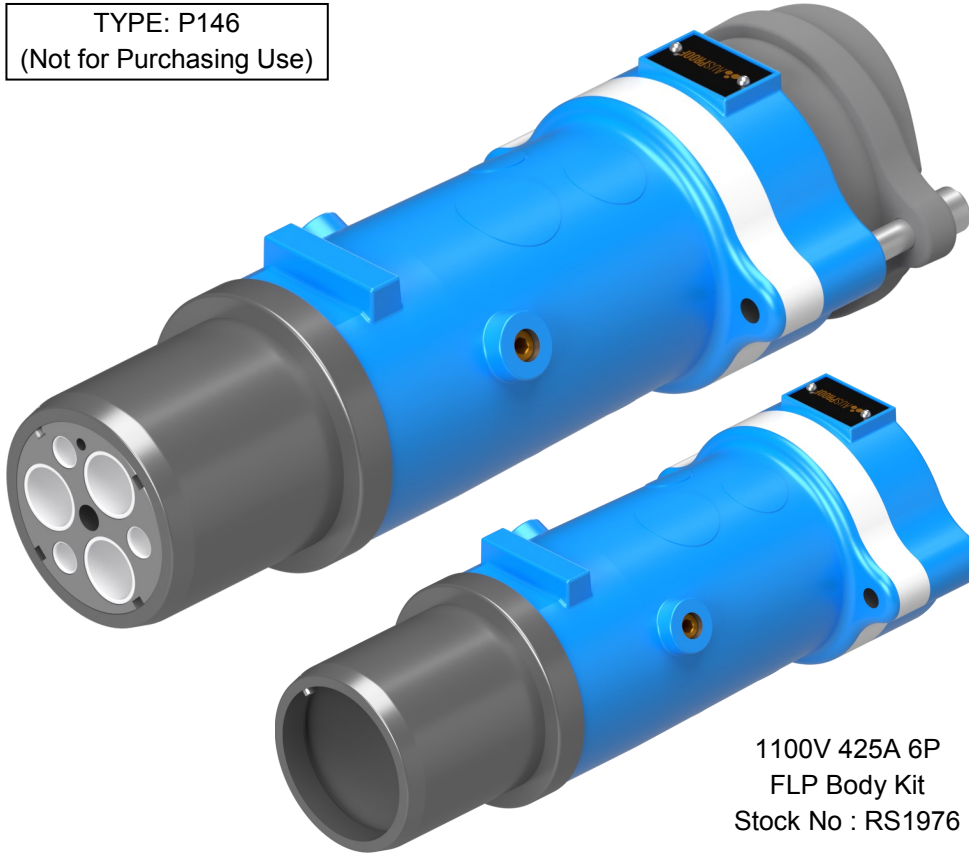




Pilot Orientation

Pre-Built To Suit Cable Type

TYPE: P146
(Not for Purchasing Use)

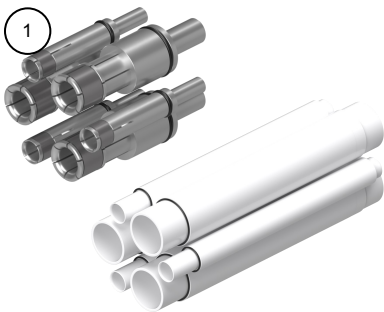


1100V 425A 6P
FLP Body Kit
Stock No : RS1976

Plug Type To Suit Cable Type				
(mm ²)	*Ref.	241.1	*Ref.	245.1
16	(F)	RS1502	-	-
25	(F)	RS1503	-	-
35	(G)	RS1504	-	-
50	(H)	RS1505	(H)	RS2187
70	(I)	RS1506	(I)	RS2188
95	(J)	RS1507	(J)	RS2189
120	(K)	RS1508	(L)	RS2190
150	(L)	RS1509	(M)	RS2191
185	(M)	RS1510	-	-

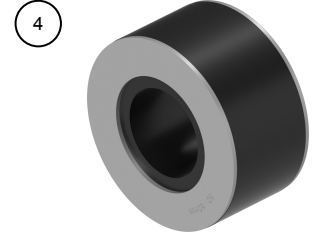
*Gland Reference Letter

Part Breakdown For Customized Cables; One Of Each Type Required



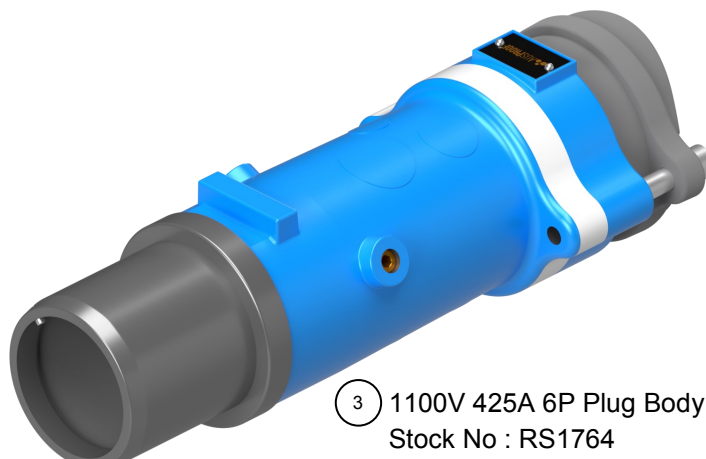
16 / 25 Style Contact + Insulator Sets		
(mm ²)	ID (mm)	Stock No.
16	6.5	RS1951
25	7.5	RS1952
35	9.0	RS1953
50	10.5	RS1954
70	12.5	RS1955
95	14.0	RS1956
120	16.0	RS1957
150	17.7	RS1958
185	19.5	RS1959

2 6P Front Cage
Stock No : RS1915



Compression Gland Type		
*Ref.	Gland ID	Stock No.
(A)	10-15	RS2212
(B)	15-20	RS2213
(C)	20-25	RS2214
(D)	25-30	RS2215
(E)	30-35	RS1618
(F)	35-40	RS1619
(G)	40-45	RS1620
(H)	45-50	RS1621
(I)	50-55	RS1622
(J)	55-60	RS1623
(K)	60-65	RS1624
(L)	65-70	RS1625
(M)	70-75	RS1626
(N)	75-80	RS1627

3 1100V 425A 6P Plug Body
Stock No : RS1764



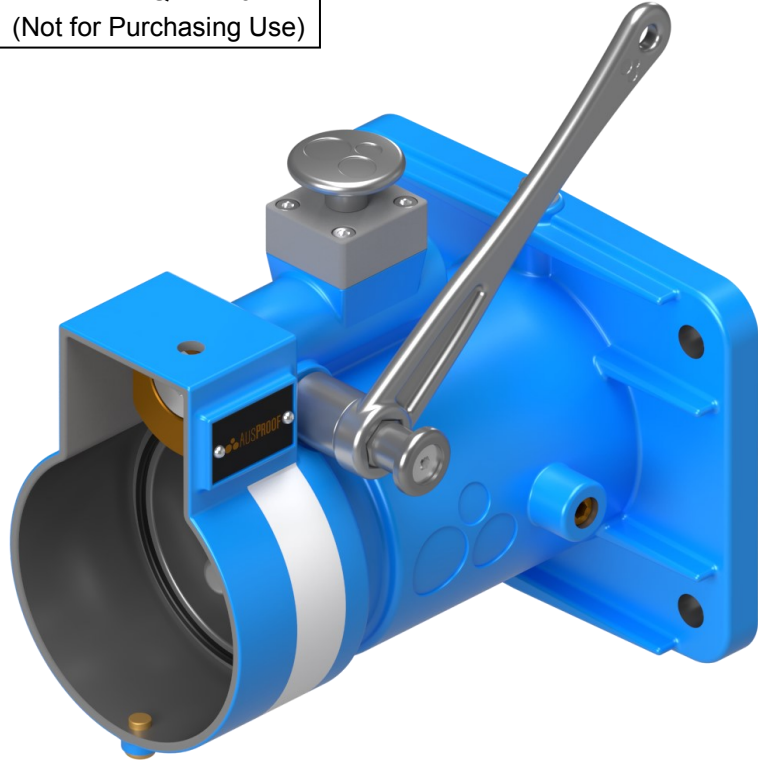
*Gland Reference Letter



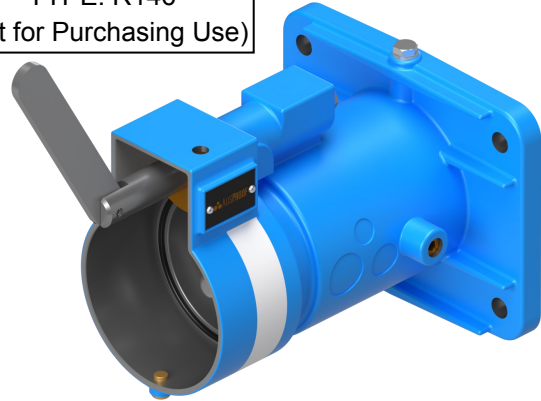
1100V 425A 6 Pin PL Receptacle

3 Phase 3 Pilot

TYPE: QRR146
(Not for Purchasing Use)



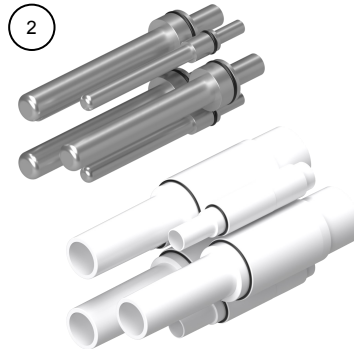
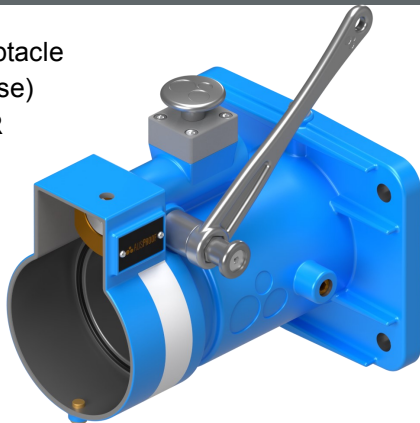
TYPE: R146
(Not for Purchasing Use)



Receptacle Type to Suit mm ² Cable Tails		
(mm ²)	(Quick Release) Stock No.	(Jack In) Stock No.
16	RS1511QR	RS1511
25	RS1512QR	RS1512
35	RS1513QR	RS1513
50	RS1514QR	RS1514
70	RS1515QR	RS1515
95	RS1516QR	RS1516
120	RS1517QR	RS1517
150	RS1518QR	RS1518
185	RS1519QR	RS1519

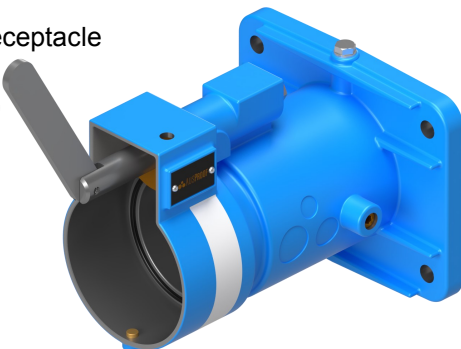
Part Breakdown For Customized Cables; One Of Each Type Required

1 1100V 425A 6P Receptacle
Body Kit (Quick Release)
Stock No : RS1909QR



16 / 106 Style Contact + Insulator Sets		
(mm ²)	ID (mm)	Stock No.
16	6.5	RS2097
25	7.5	RS2098
35	9.0	RS2099
50	10.5	RS2100
70	12.5	RS2101
95	14.0	RS2102
120	16.0	RS2103
150	17.7	RS2104
185	19.5	RS2105

1 1100V 425A 6P Receptacle
Body Kit (Jack-In)
Stock No : RS1909

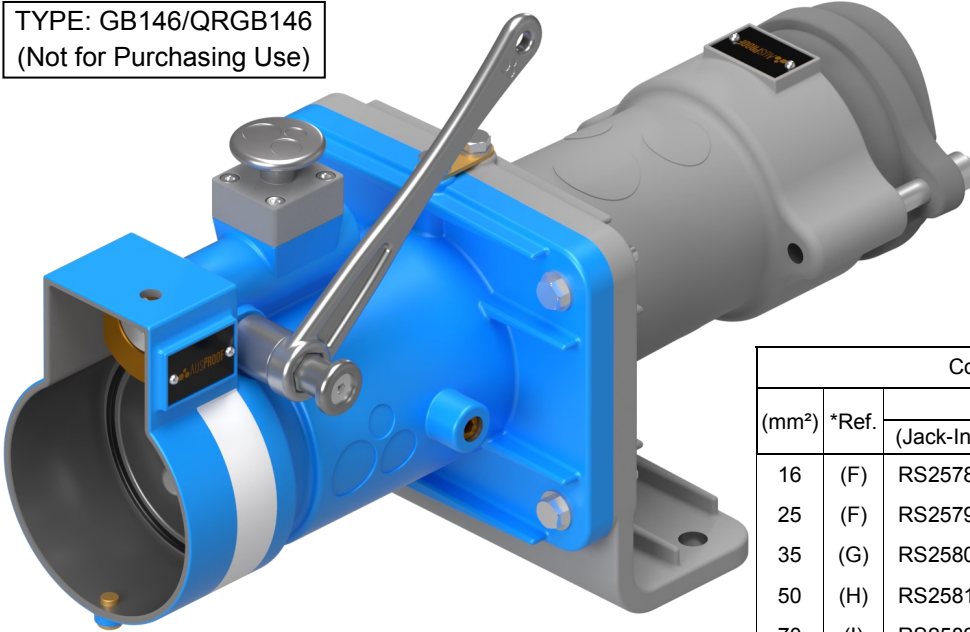


3 6P Receptacle Cage
Stock No : RS1917



Built To Suit Cable Type

TYPE: GB146/QRGB146
(Not for Purchasing Use)



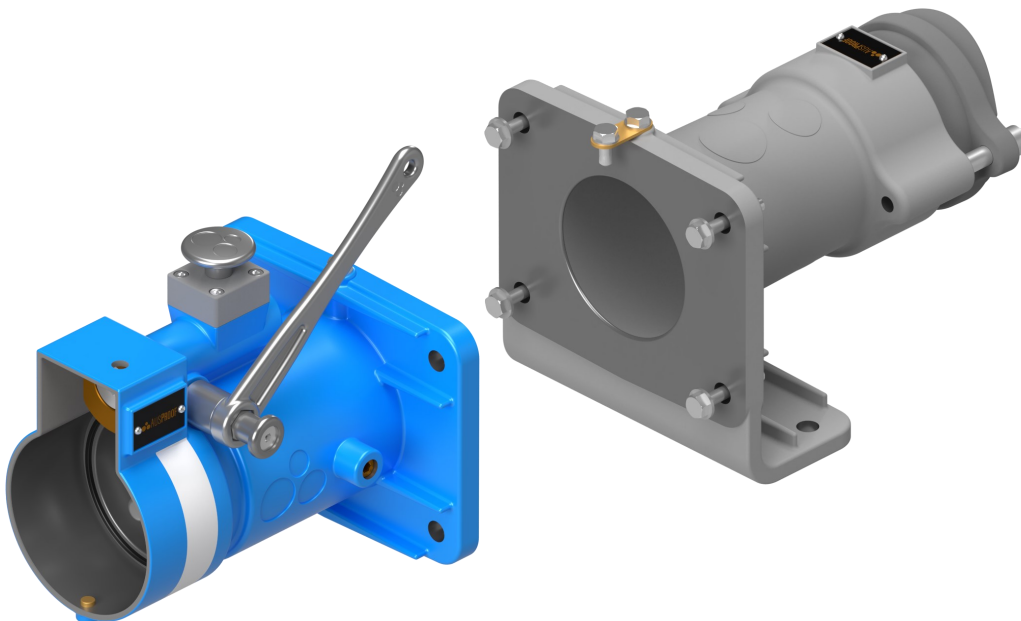
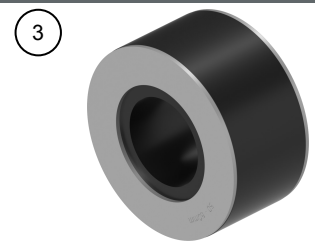
Complete RGB To Suit Cable Type						
(mm ²)	*Ref.	241.1		*Ref.	275.1	
		(Jack-In)	(Quick Release)		(Jack-In)	(Quick Release)
16	(F)	RS2578	RS2578QR	-	-	-
25	(F)	RS2579	RS2579QR	-	-	-
35	(G)	RS2580	RS2580QR	-	-	-
50	(H)	RS2581	RS2581QR	(H)	RS2587	RS2587QR
70	(I)	RS2582	RS2582QR	(I)	RS2588	RS2588QR
95	(J)	RS2583	RS2583QR	(J)	RS2589	RS2589QR
120	(K)	RS2584	RS2584QR	(L)	RS2590	RS2590QR
150	(L)	RS2585	RS2585QR	(M)	RS2591	RS2591QR
185	(M)	RS2586	RS2586QR	-	-	-

*Gland Reference Letter

Part Breakdown For Customized Cables; One Of Each Type Required

① 1100V 425A 6P Receptacle
Stock No: Refer to Page 26

② Gland Bracket Body Kit
Stock No. RS2510



Compression Gland Type		
*Ref.	Gland ID	Stock No.
(A)	10-15	RS2212
(B)	15-20	RS2213
(C)	20-25	RS2214
(D)	25-30	RS2215
(E)	30-35	RS1618
(F)	35-40	RS1619
(G)	40-45	RS1620
(H)	45-50	RS1621
(I)	50-55	RS1622
(J)	55-60	RS1623
(K)	60-65	RS1624
(L)	65-70	RS1625
(M)	70-75	RS1626
(N)	75-80	RS1627

*Gland Reference Letter

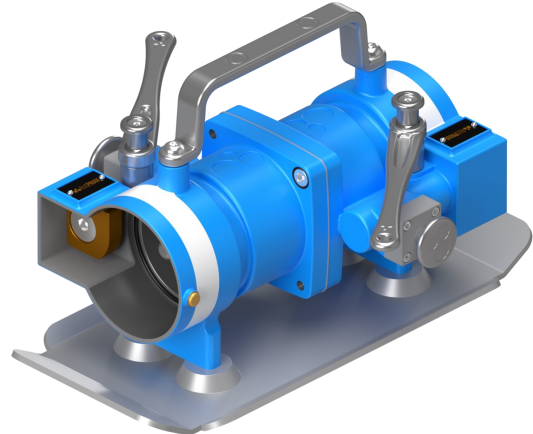
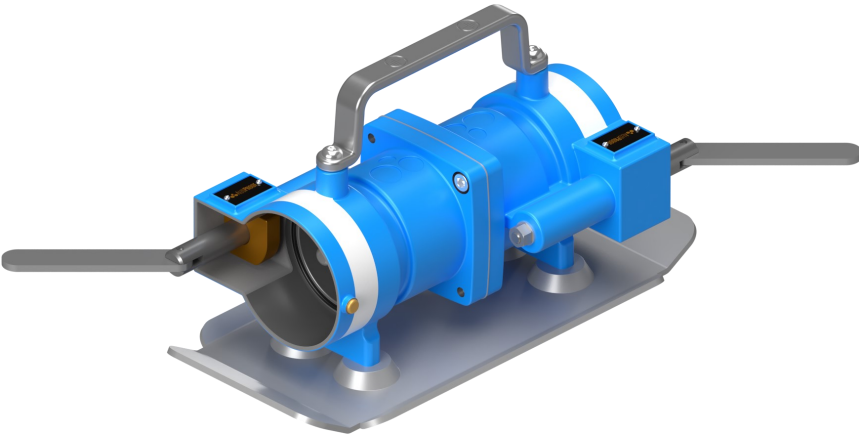


1100V 425A 6 Pin PL Back to Back (B2B)

3 Phase 3 Pilot

TYPE: BB146
(Not for Purchasing Use)

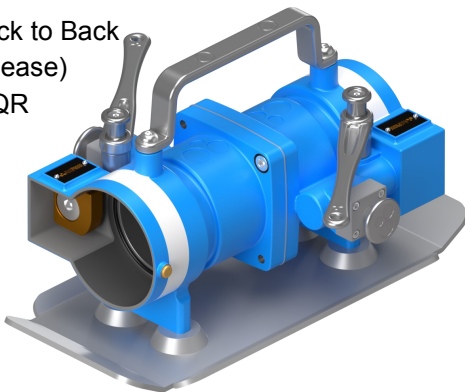
TYPE: QRBB146
(Not for Purchasing Use)



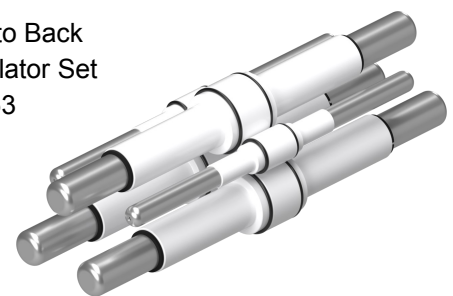
Complete Back to Back	
Jack-In	Quick Release
Stock No: RS2467	Stock No: RS2467QR

Part Breakdown For Repairs; One Of Each Type Required

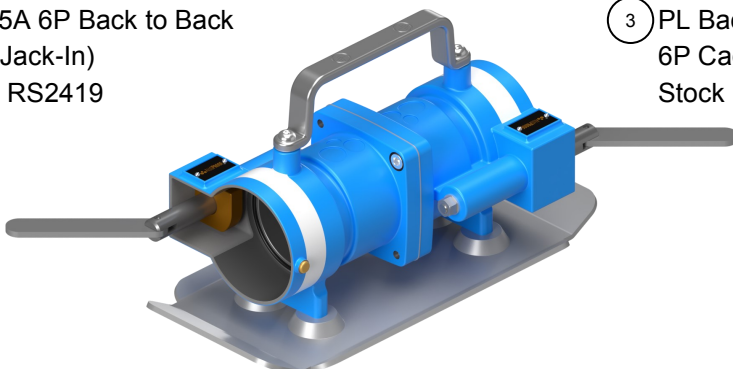
1 1100V 425A 6P Back to Back
Body Kit (Quick Release)
Stock No. RS2419QR



2 PL 16 - 25 Back to Back
Contact and Insulator Set
Stock No. RS2653



1 1100V 425A 6P Back to Back
Body Kit (Jack-In)
Stock No. RS2419



3 PL Back to Back
6P Cage Kit
Stock No. RS2654

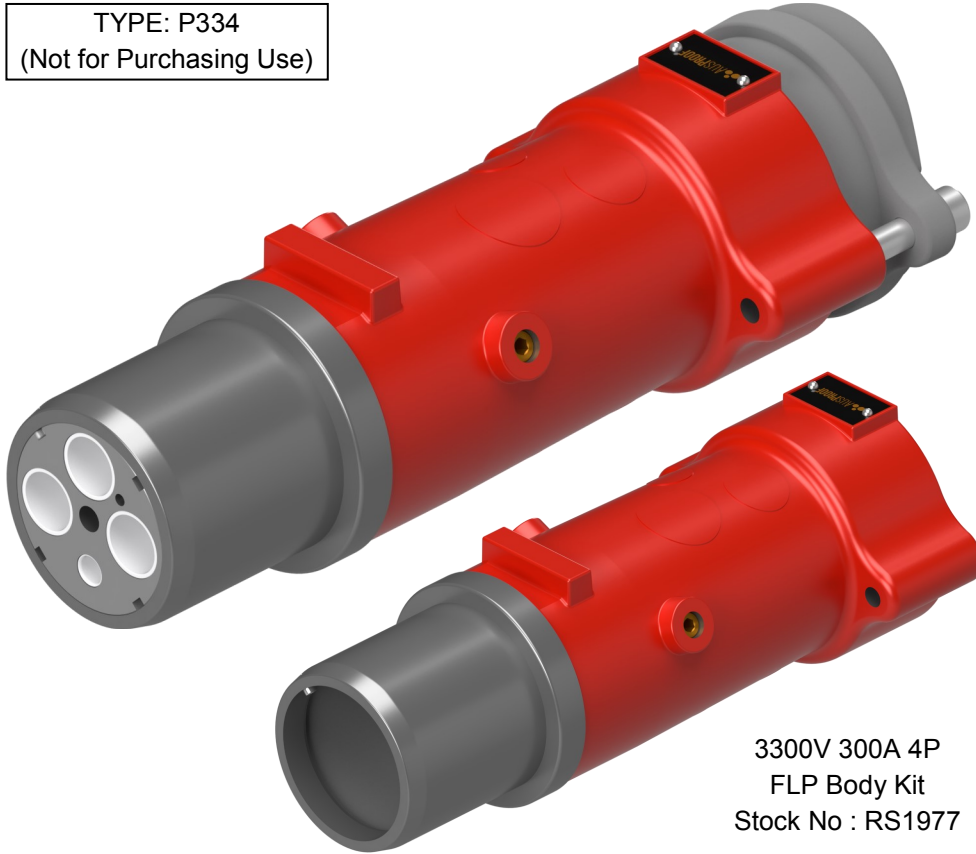




Pilot Orientation

Pre-Built To Suit Cable Type

TYPE: P334
(Not for Purchasing Use)

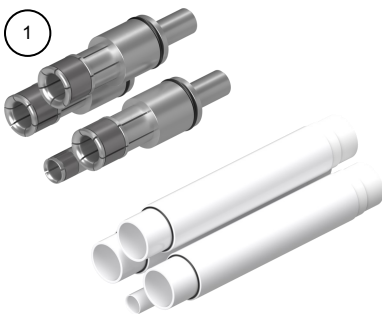


3300V 300A 4P
FLP Body Kit
Stock No : RS1977

Plug Type To Suit Cable Type				
(mm ²)	*Ref.	241.3	*Ref.	245.3
16	(G)	RS1520	-	-
25	(H)	RS1521	-	-
35	(I)	RS1522	-	-
50	(I)	RS1523	(J)	RS2192
70	(J)	RS1524	(K)	RS2193
95	(K)	RS1525	(L)	RS2194
120	(L)	RS1526	(M)	RS2195
150	(M)	RS1527	(N)	RS2196
185	(N)	RS1528	-	-

*Gland Reference Letter

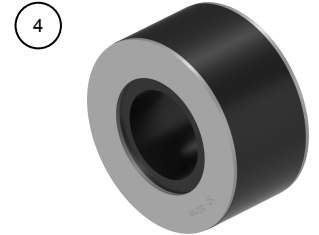
Part Breakdown For Customized Cables; One Of Each Type Required



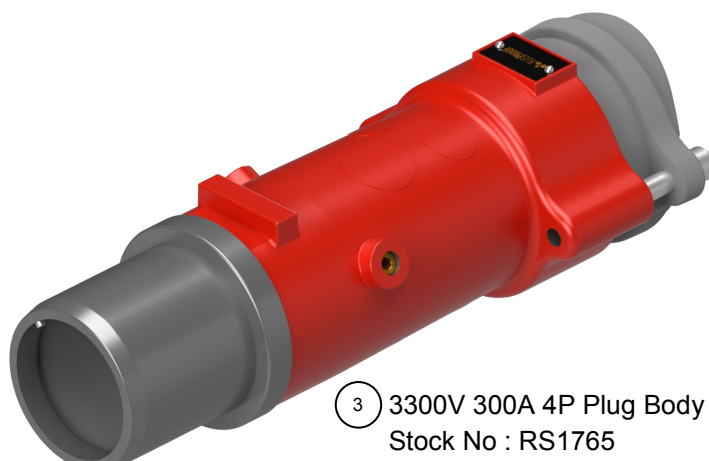
12 / 25 Style Contact + Insulator Sets		
(mm ²)	ID (mm)	Stock No.
16	6.5	RS1960
25	7.5	RS1961
35	9.0	RS1962
50	10.5	RS1963
70	12.5	RS1964
95	14.0	RS1965
120	16.0	RS1966
150	17.7	RS1967
185	19.5	RS1968



2 4P Front Cage
Stock No : RS1914



Compression Gland Type		
*Ref.	Gland ID	Stock No.
(A)	10-15	RS2212
(B)	15-20	RS2213
(C)	20-25	RS2214
(D)	25-30	RS2215
(E)	30-35	RS1618
(F)	35-40	RS1619
(G)	40-45	RS1620
(H)	45-50	RS1621
(I)	50-55	RS1622
(J)	55-60	RS1623
(K)	60-65	RS1624
(L)	65-70	RS1625
(M)	70-75	RS1626
(N)	75-80	RS1627



3 3300V 300A 4P Plug Body
Stock No : RS1765

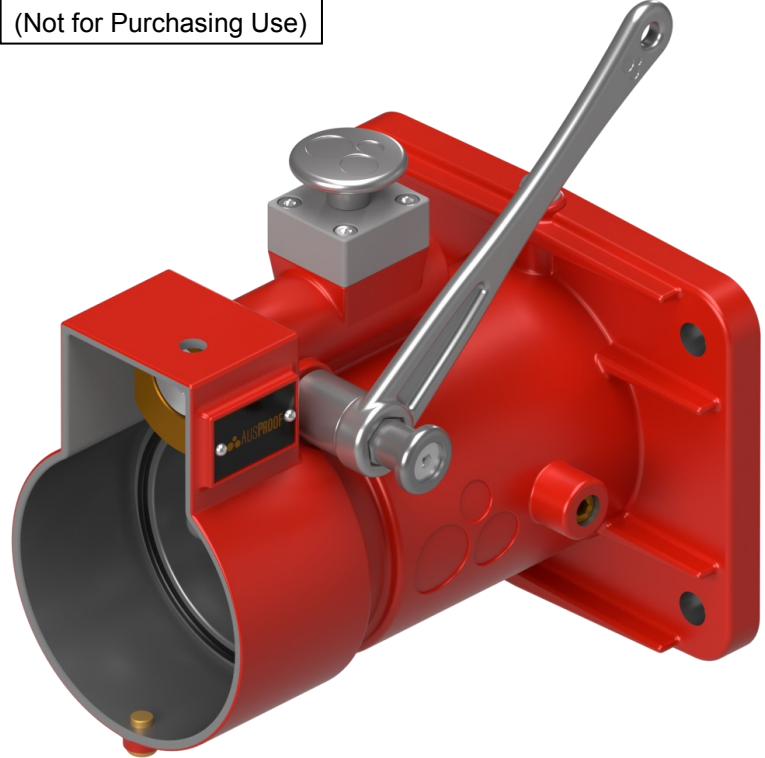
*Gland Reference Letter



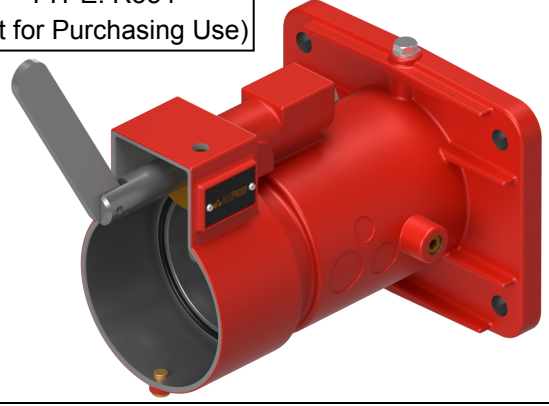
3300V 300A 4 Pin PL Receptacle

3 Phase 1 Pilot

TYPE: QRR334
(Not for Purchasing Use)



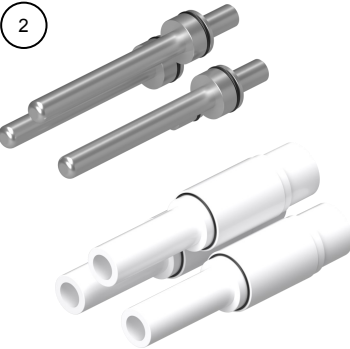
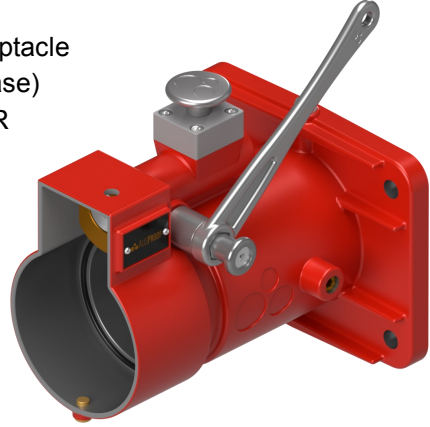
TYPE: R334
(Not for Purchasing Use)



Receptacle Type to Suit mm ² Cable Tails		
(mm ²)	(Quick Release) Stock No.	(Jack In) Stock No.
16	RS1529QR	RS1529
25	RS1530QR	RS1530
35	RS1531QR	RS1531
50	RS1532QR	RS1532
70	RS1533QR	RS1533
95	RS1534QR	RS1534
120	RS1535QR	RS1535
150	RS1536QR	RS1536
185	RS1537QR	RS1537

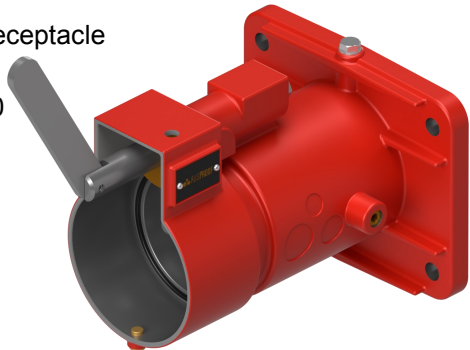
Part Breakdown For Customized Cables; One Of Each Type Required

1 3300V 300A 4P Receptacle
Body Kit (Quick Release)
Stock No : RS1910QR



12 / 106 Style Contact + Insulator Sets		
(mm ²)	ID (mm)	Stock No.
16	6.5	RS2106
25	7.5	RS2107
35	9.0	RS2108
50	10.5	RS2109
70	12.5	RS2110
95	14.0	RS2111
120	16.0	RS2112
150	17.7	RS2113
185	19.5	RS2114

1 3300V 300A 4P Receptacle
Body Kit (Jack-In)
Stock No : RS1910



3 4P Receptacle Cage
Stock No : RS1916

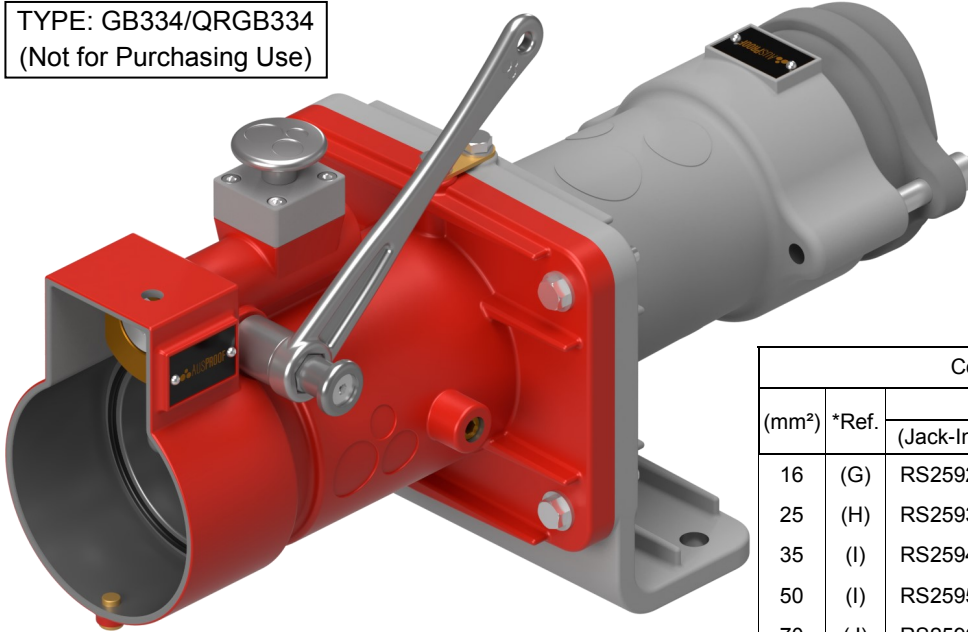
3300V 300A 4 Pin PL Receptacle Gland Bracket (RGB)

3 Phase 1 Pilot



Built To Suit Cable Type

TYPE: GB334/QRGB334
(Not for Purchasing Use)



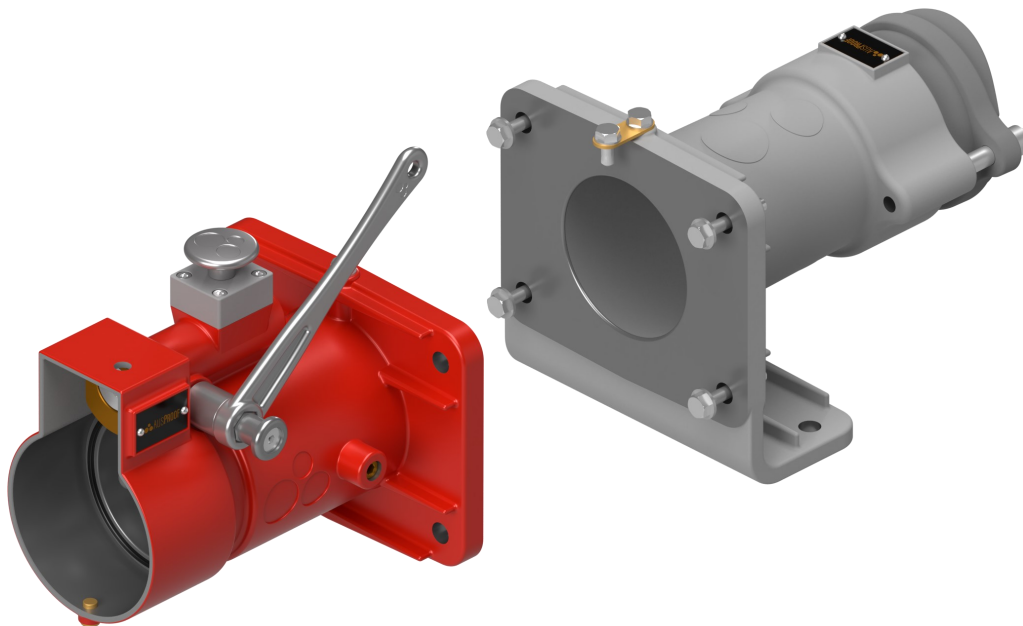
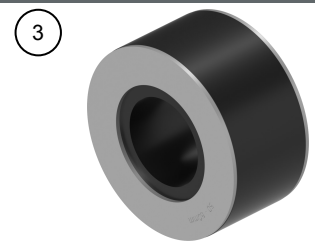
Complete RGB To Suit Cable Type						
(mm ²)	*Ref.	241.3		*Ref.	245.3	
		(Jack-In)	(Quick Release)		(Jack-In)	(Quick Release)
16	(G)	RS2592	RS2592QR	-	-	-
25	(H)	RS2593	RS2593QR	-	-	-
35	(I)	RS2594	RS2594QR	-	-	-
50	(I)	RS2595	RS2595QR	(J)	RS2601	RS2601QR
70	(J)	RS2596	RS2596QR	(K)	RS2602	RS2602QR
95	(K)	RS2597	RS2597QR	(L)	RS2603	RS2603QR
120	(L)	RS2598	RS2598QR	(M)	RS2604	RS2604QR
150	(M)	RS2599	RS2599QR	(N)	RS2605	RS2605QR
185	(N)	RS2600	RS2600QR	-	-	-

*Gland Reference Letter

Part Breakdown For Customized Cables; One Of Each Type Required

① 3300V 300A 4P Receptacle
Stock No: Refer to Page 30

② Gland Bracket Body Kit
Stock No. RS2510



Compression Gland Type		
*Ref.	Gland ID	Stock No.
(A)	10-15	RS2212
(B)	15-20	RS2213
(C)	20-25	RS2214
(D)	25-30	RS2215
(E)	30-35	RS1618
(F)	35-40	RS1619
(G)	40-45	RS1620
(H)	45-50	RS1621
(I)	50-55	RS1622
(J)	55-60	RS1623
(K)	60-65	RS1624
(L)	65-70	RS1625
(M)	70-75	RS1626
(N)	75-80	RS1627

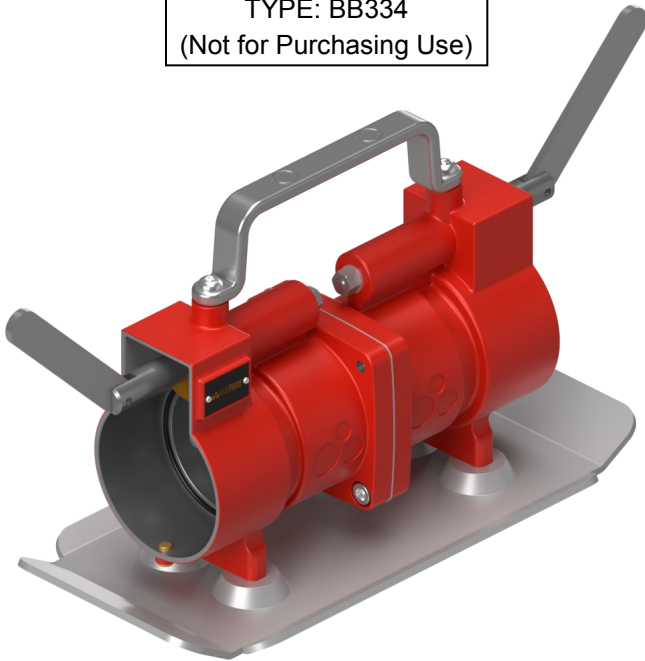
*Gland Reference Letter



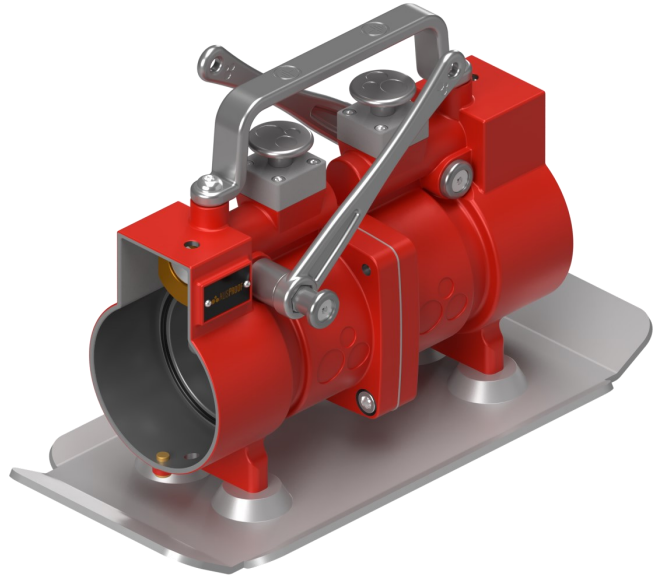
3300V 300A 4 Pin PL Back to Back (B2B)

3 Phase 1 Pilot

TYPE: BB334
(Not for Purchasing Use)



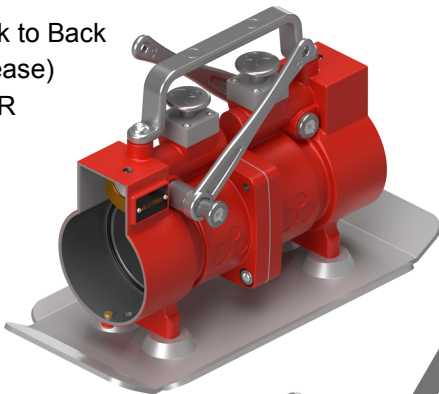
TYPE: QRBB334
(Not for Purchasing Use)



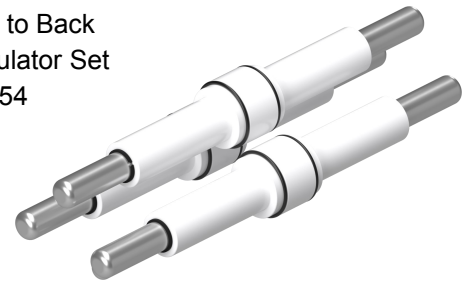
Complete Back to Back	
Jack-In	Quick Release
Stock No: RS2468	Stock No: RS2468QR

Part Breakdown For Repairs; One Of Each Type Required

- ① 3300V 300A 4P Back to Back Body Kit (Quick Release)
Stock No. RS2420QR



- ② PL 12 - 25 Back to Back Contact and Insulator Set
Stock No. RS2454



- ① 3300V 300A 4P Back to Back Body Kit (Jack-In)
Stock No. RS2420



- ③ PL Back to Back 4P Cage Kit
Stock No. RS2437





Pilot Orientation

Pre-Built To Suit Cable Type

TYPE: P344
(Not for Purchasing Use)

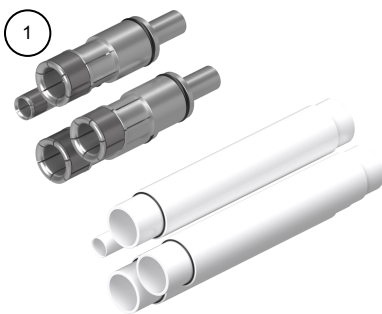


3300V 425A 4P
FLP Body Kit
Stock No : RS1978

Plug Type To Suit Cable Type				
(mm ²)	*Ref.	241.3	*Ref.	245.3
16	(G)	RS1556	-	-
25	(H)	RS1557	-	-
35	(I)	RS1558	-	-
50	(I)	RS1559	(J)	RS2197
70	(J)	RS1560	(K)	RS2198
95	(K)	RS1561	(L)	RS2199
120	(L)	RS1562	(M)	RS2200
150	(M)	RS1563	(N)	RS2201
185	(N)	RS1564	-	-

*Gland Reference Letter

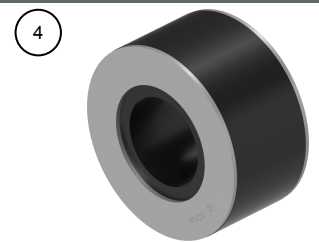
Part Breakdown For Customized Cables; One Of Each Type Required



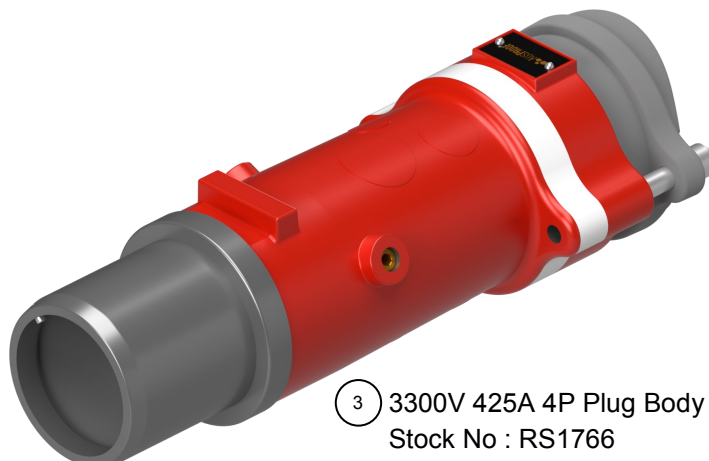
16 / 25 Style Contact + Insulator Sets		
(mm ²)	ID (mm)	Stock No.
16	6.5	RS2347
25	7.5	RS2348
35	9.0	RS2349
50	10.5	RS2350
70	12.5	RS2351
95	14.0	RS2352
120	16.0	RS2353
150	17.7	RS2354
185	19.5	RS2355



2 4P Front Cage
Stock No : RS1914



Compression Gland Type		
*Ref.	Gland ID	Stock No.
(A)	10-15	RS2212
(B)	15-20	RS2213
(C)	20-25	RS2214
(D)	25-30	RS2215
(E)	30-35	RS1618
(F)	35-40	RS1619
(G)	40-45	RS1620
(H)	45-50	RS1621
(I)	50-55	RS1622
(J)	55-60	RS1623
(K)	60-65	RS1624
(L)	65-70	RS1625
(M)	70-75	RS1626
(N)	75-80	RS1627



3 3300V 425A 4P Plug Body
Stock No : RS1766

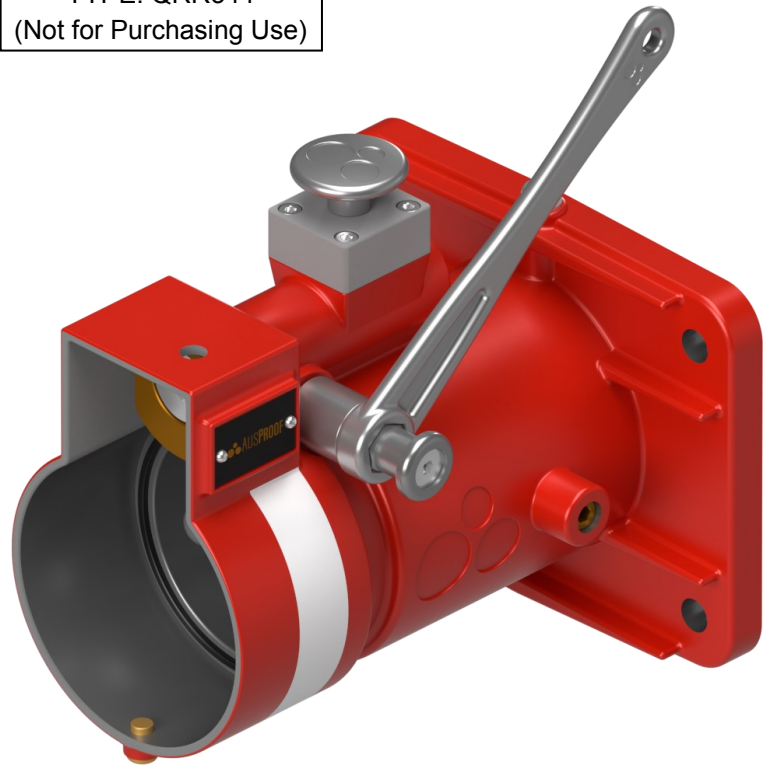
*Gland Reference Letter



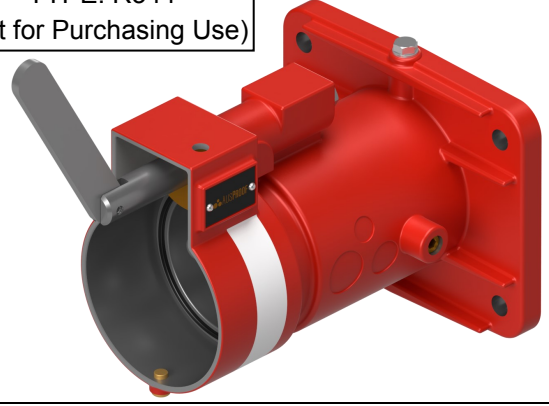
3300V 425A 4 Pin PL Receptacle

3 Phase 1 Pilot

TYPE: QRR344
(Not for Purchasing Use)



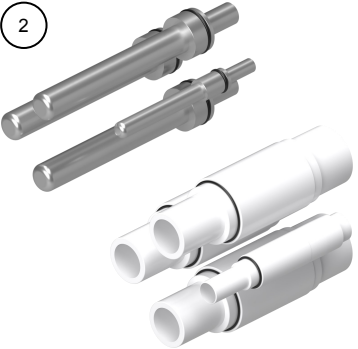
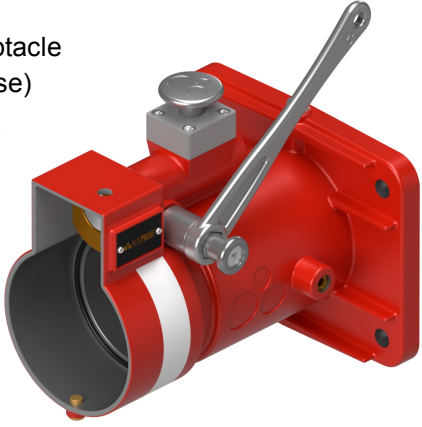
TYPE: R344
(Not for Purchasing Use)



Receptacle Type to Suit mm ² Cable Tails		
(mm ²)	(Quick Release) Stock No.	(Jack In) Stock No.
16	RS1565QR	RS1565
25	RS1566QR	RS1566
35	RS1567QR	RS1567
50	RS1568QR	RS1568
70	RS1569QR	RS1569
95	RS1570QR	RS1570
120	RS1571QR	RS1571
150	RS1572QR	RS1572
185	RS1573QR	RS1573

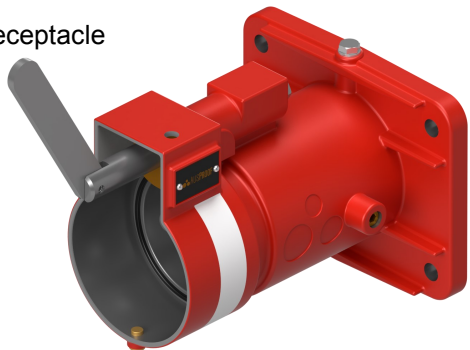
Part Breakdown For Customized Cables; One Of Each Type Required

1 3300V 425A 4P Receptacle
Body Kit (Quick Release)
Stock No : RS1911QR



16 / 106 Style Contact + Insulator Sets		
(mm ²)	ID (mm)	Stock No.
16	6.5	RS2117
25	7.5	RS2118
35	9.0	RS2119
50	10.5	RS2120
70	12.5	RS2121
95	14.0	RS2122
120	16.0	RS2123
150	17.7	RS2124
185	19.5	RS2125

1 3300V 425A 4P Receptacle
Body Kit (Jack-In)
Stock No : RS1911

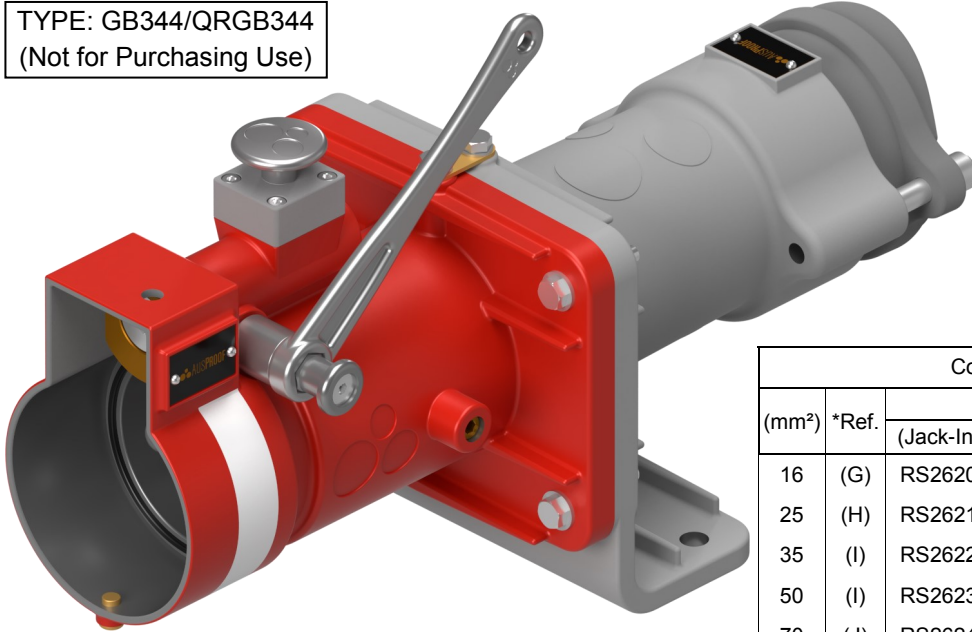


3 4P Receptacle Cage
Stock No : RS1916



Built To Suit Cable Type

TYPE: GB344/QRGB344
(Not for Purchasing Use)



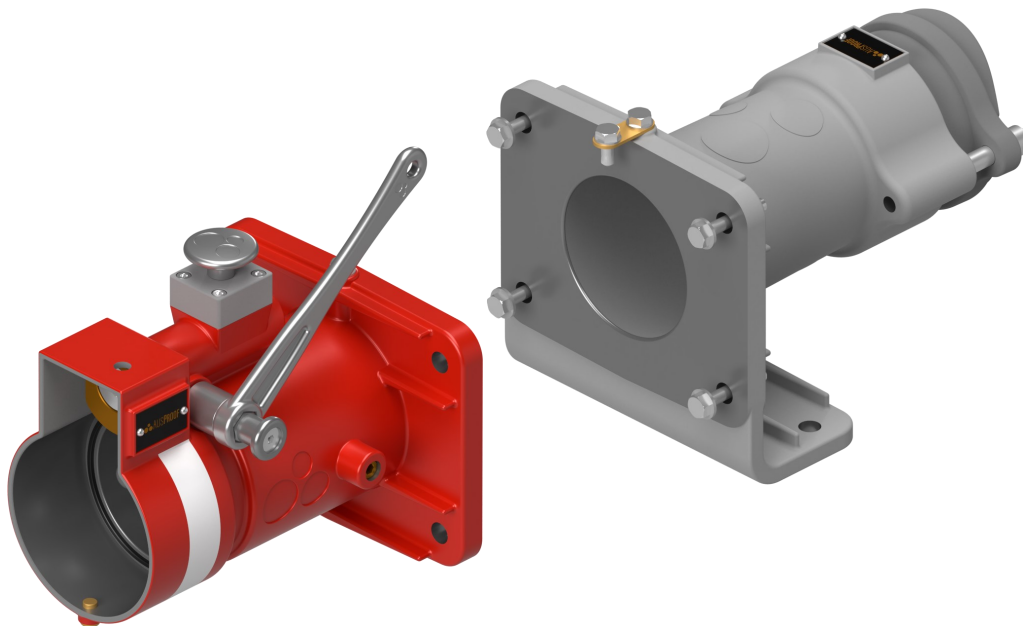
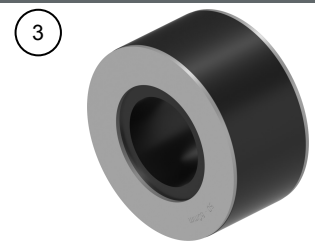
Complete RGB To Suit Cable Type						
(mm ²)	*Ref.	241.3		*Ref.	245.3	
		(Jack-In)	(Quick Release)		(Jack-In)	(Quick Release)
16	(G)	RS2620	RS2620QR	-	-	-
25	(H)	RS2621	RS2621QR	-	-	-
35	(I)	RS2622	RS2622QR	-	-	-
50	(I)	RS2623	RS2623QR	(J)	RS2629	RS2629QR
70	(J)	RS2624	RS2624QR	(K)	RS2630	RS2630QR
95	(K)	RS2625	RS2625QR	(L)	RS2631	RS2631QR
120	(L)	RS2626	RS2626QR	(M)	RS2632	RS2632QR
150	(M)	RS2627	RS2627QR	(N)	RS2633	RS2633QR
185	(N)	RS2628	RS2628QR	-	-	-

*Gland Reference Letter

Part Breakdown For Customized Cables; One Of Each Type Required

① 3300V 425A 4P Receptacle
Stock No: Refer to Page 34

② Gland Bracket Body Kit
Stock No. RS2510



Compression Gland Type		
*Ref.	Gland ID	Stock No.
(A)	10-15	RS2212
(B)	15-20	RS2213
(C)	20-25	RS2214
(D)	25-30	RS2215
(E)	30-35	RS1618
(F)	35-40	RS1619
(G)	40-45	RS1620
(H)	45-50	RS1621
(I)	50-55	RS1622
(J)	55-60	RS1623
(K)	60-65	RS1624
(L)	65-70	RS1625
(M)	70-75	RS1626
(N)	75-80	RS1627

*Gland Reference Letter

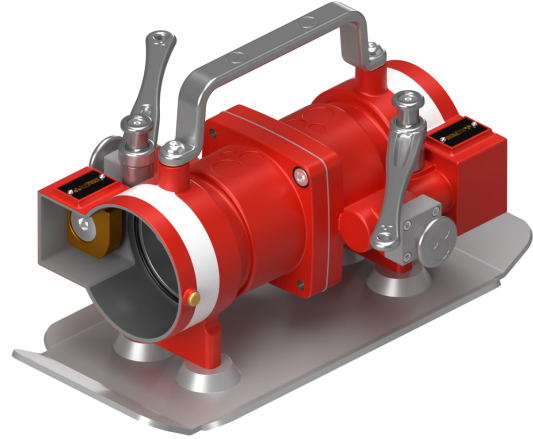
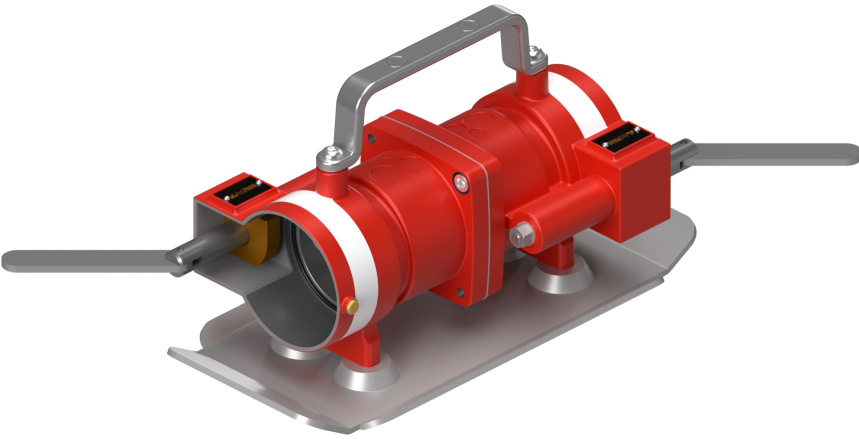


3300V 425A 4 Pin PL Back to Back (B2B)

3 Phase 1 Pilot

TYPE: BB344
(Not for Purchasing Use)

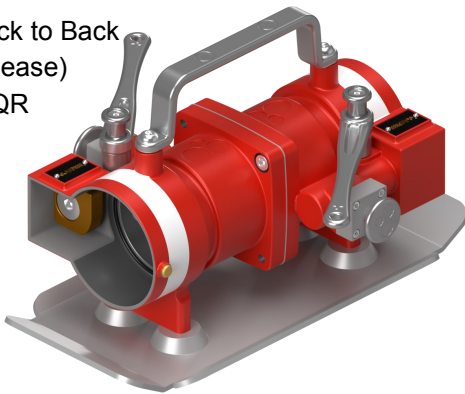
TYPE: QRBB344
(Not for Purchasing Use)



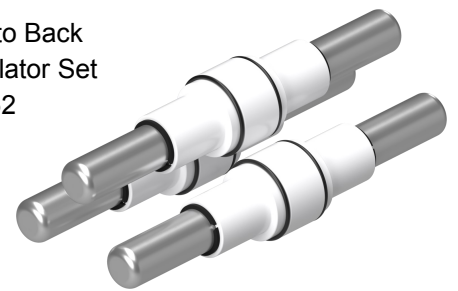
Complete Back to Back	
Jack-In	Quick Release
Stock No: RS2469	Stock No: RS2469QR

Part Breakdown For Repairs; One Of Each Type Required

1 3300V 425A 4P Back to Back
Body Kit (Quick Release)
Stock No. RS2421QR



2 PL 16 - 25 Back to Back
Contact and Insulator Set
Stock No. RS2652



1 3300V 425A 4P Back to Back
Body Kit (Jack-In)
Stock No. RS2421



3 PL Back to Back
4P Cage Kit
Stock No. RS2437

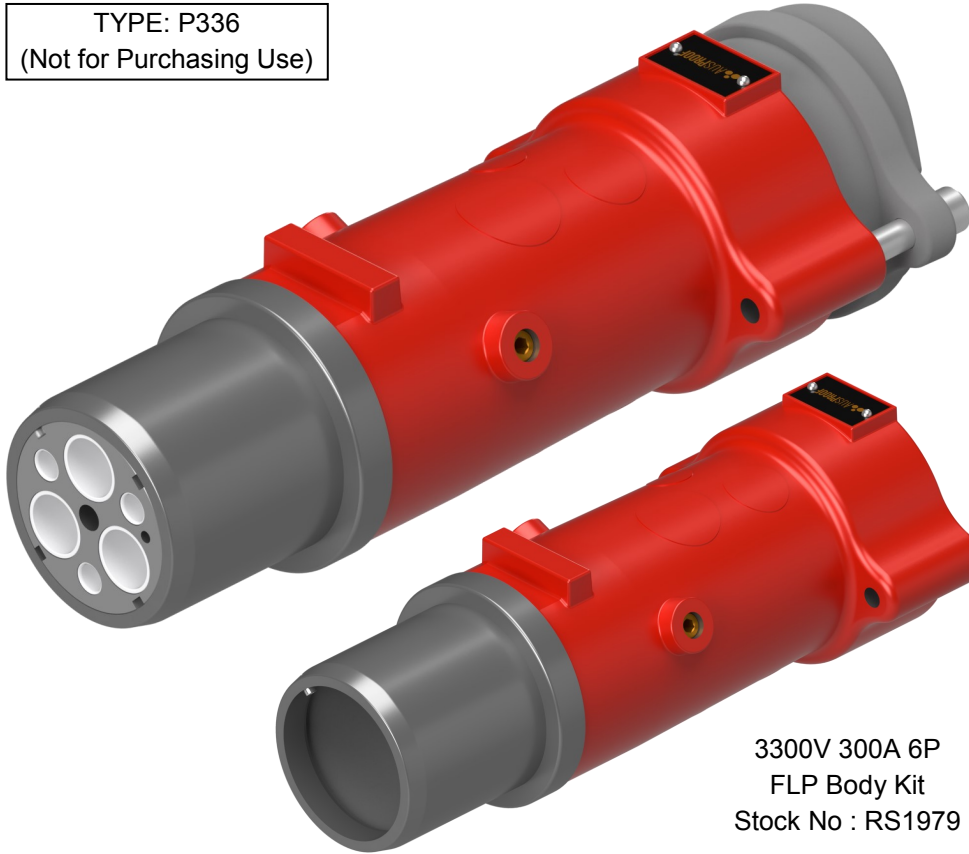




Pilot Orientation

Pre-Built To Suit Cable Type

TYPE: P336
(Not for Purchasing Use)

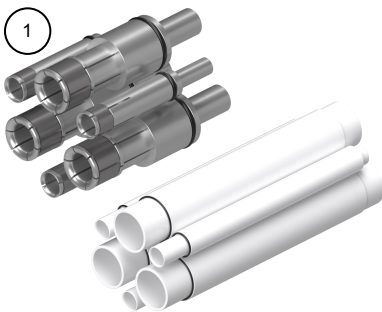


3300V 300A 6P
FLP Body Kit
Stock No : RS1979

Plug Type To Suit Cable Type				
(mm ²)	*Ref.	241.3	*Ref.	245.3
16	(G)	RS1538	-	-
25	(H)	RS1539	-	-
35	(I)	RS1540	-	-
50	(I)	RS1541	(J)	RS2202
70	(J)	RS1542	(K)	RS2203
95	(K)	RS1543	(L)	RS2204
120	(L)	RS1544	(M)	RS2205
150	(M)	RS1545	(N)	RS2206
185	(N)	RS1546	-	-

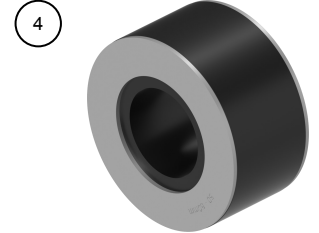
*Gland Reference Letter

Part Breakdown For Customized Cables; One Of Each Type Required



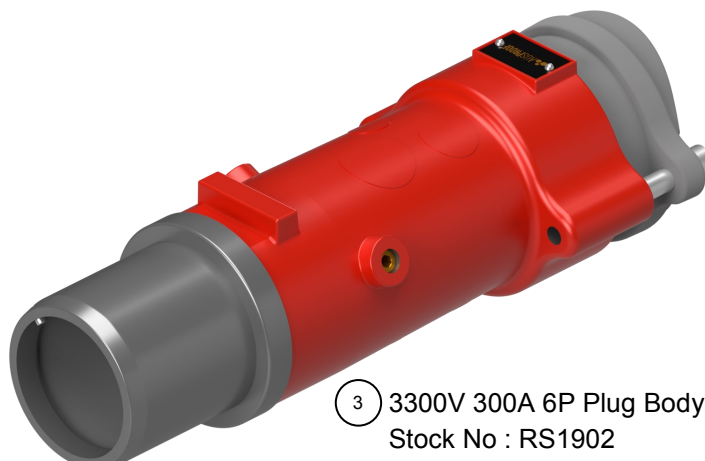
12 / 25 Style Contact + Insulator Sets		
(mm ²)	ID (mm)	Stock No.
16	6.5	RS1942
25	7.5	RS1943
35	9.0	RS1944
50	10.5	RS1945
70	12.5	RS1946
95	14.0	RS1947
120	16.0	RS1948
150	17.7	RS1949
185	19.5	RS1950

2 6P Front Cage
Stock No : RS1915



Compression Gland Type		
*Ref.	Gland ID	Stock No.
(A)	10-15	RS2212
(B)	15-20	RS2213
(C)	20-25	RS2214
(D)	25-30	RS2215
(E)	30-35	RS1618
(F)	35-40	RS1619
(G)	40-45	RS1620
(H)	45-50	RS1621
(I)	50-55	RS1622
(J)	55-60	RS1623
(K)	60-65	RS1624
(L)	65-70	RS1625
(M)	70-75	RS1626
(N)	75-80	RS1627

3 3300V 300A 6P Plug Body
Stock No : RS1902



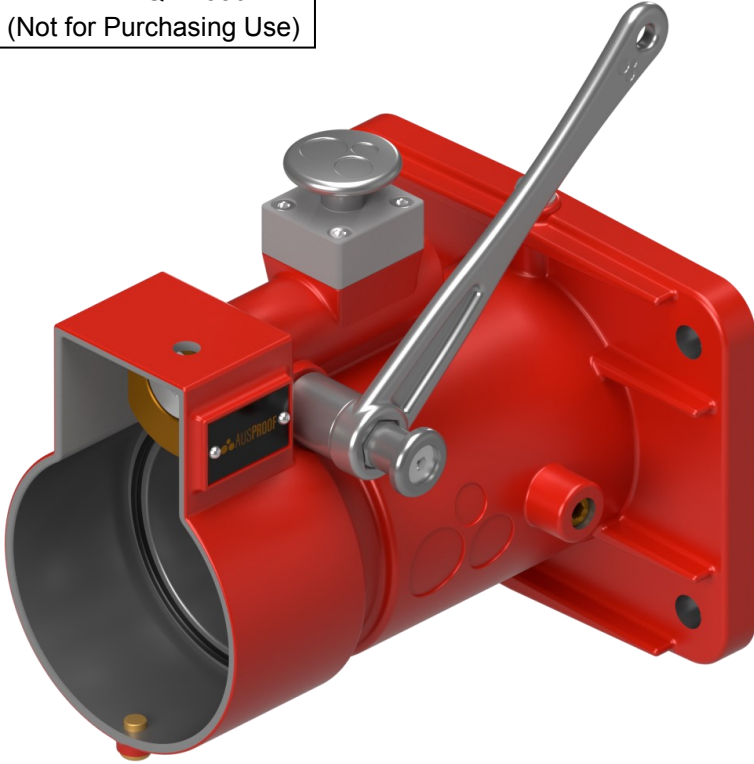
*Gland Reference Letter



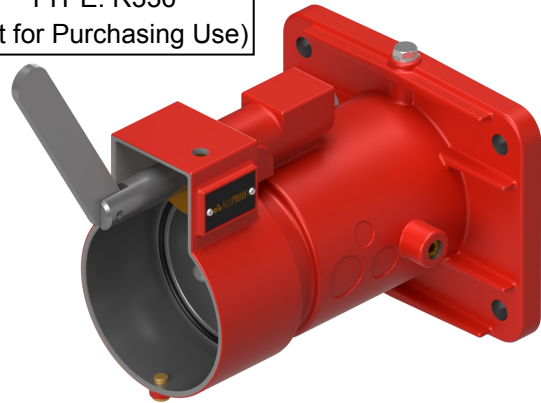
3300V 300A 6 Pin PL Receptacle

3 Phase 3 Pilot

TYPE: QRR336
(Not for Purchasing Use)



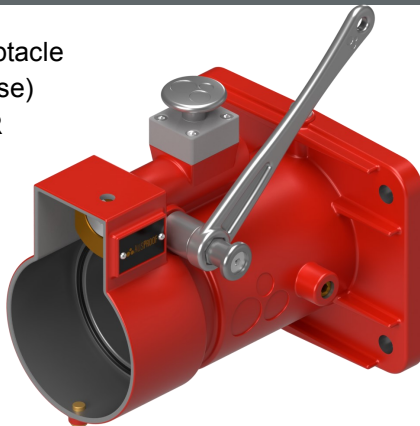
TYPE: R336
(Not for Purchasing Use)



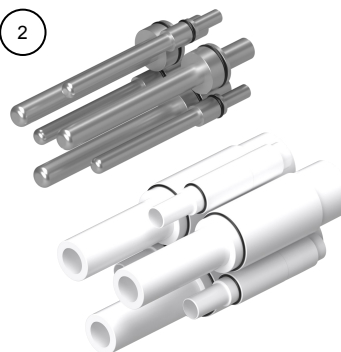
Receptacle Type to Suit mm ² Cable Tails		
(mm ²)	(Quick Release) Stock No.	(Jack In) Stock No.
16	RS1547QR	RS1547
25	RS1548QR	RS1548
35	RS1549QR	RS1549
50	RS1550QR	RS1550
70	RS1551QR	RS1551
95	RS1552QR	RS1552
120	RS1553QR	RS1553
150	RS1554QR	RS1554
185	RS1555QR	RS1555

Part Breakdown For Customized Cables; One Of Each Type Required

1 3300V 300A 6P Receptacle
Body Kit (Quick Release)
Stock No : RS1912QR

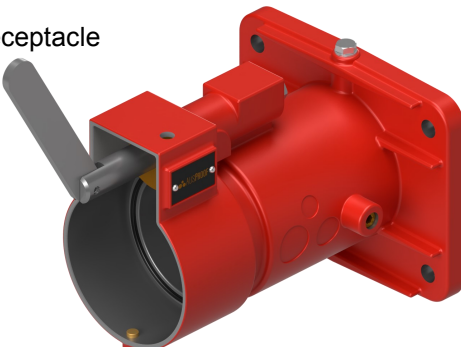


2



12 / 106 Style Contact + Insulator Sets		
(mm ²)	ID (mm)	Stock No.
16	6.5	RS2088
25	7.5	RS2089
35	9.0	RS2090
50	10.5	RS2091
70	12.5	RS2092
95	14.0	RS2093
120	16.0	RS2094
150	17.7	RS2095
185	19.5	RS2096

1 3300V 300A 6P Receptacle
Body Kit (Jack-In)
Stock No : RS1912

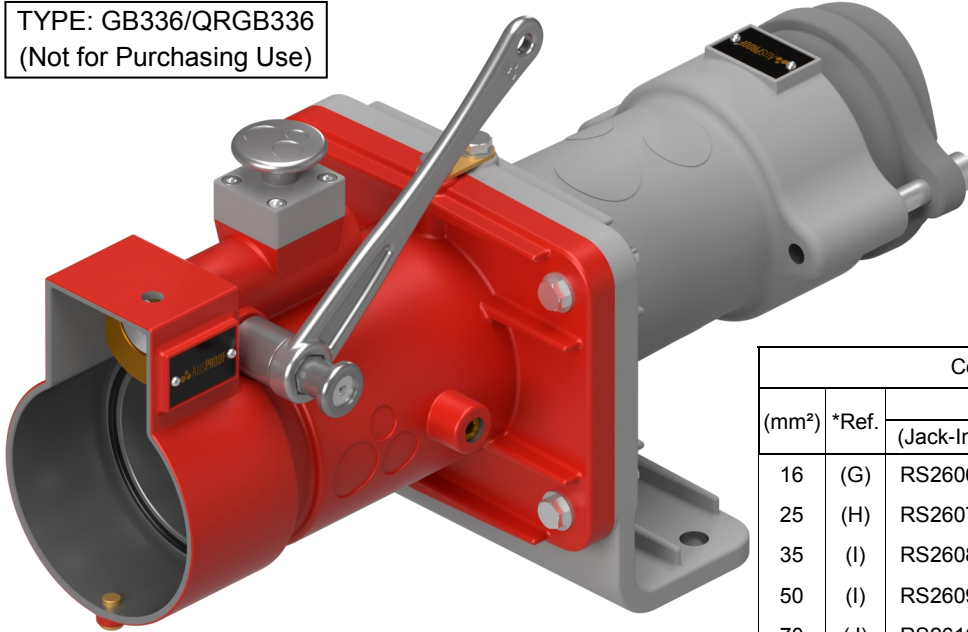


3 6P Receptacle Cage
Stock No : RS1917



Built To Suit Cable Type

TYPE: GB336/QRGB336
(Not for Purchasing Use)



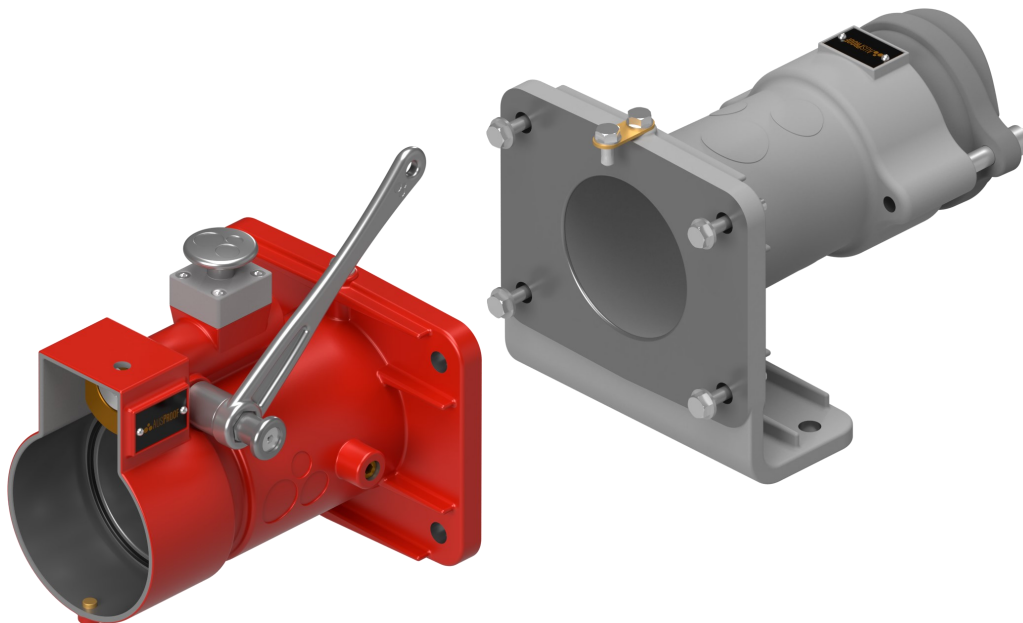
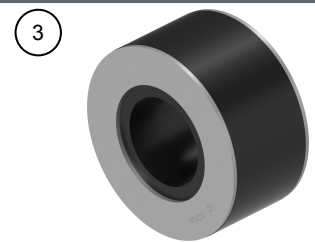
Complete RGB To Suit Cable Type						
(mm ²)	*Ref.	241.3		*Ref.	245.3	
		(Jack-In)	(Quick Release)		(Jack-In)	(Quick Release)
16	(G)	RS2606	RS2606QR	-	-	-
25	(H)	RS2607	RS2607QR	-	-	-
35	(I)	RS2608	RS2608QR	-	-	-
50	(I)	RS2609	RS2609QR	(J)	RS2615	RS2615QR
70	(J)	RS2610	RS2610QR	(K)	RS2616	RS2616QR
95	(K)	RS2611	RS2611QR	(L)	RS2617	RS2617QR
120	(L)	RS2612	RS2612QR	(M)	RS2618	RS2618QR
150	(M)	RS2613	RS2613QR	(N)	RS2619	RS2619QR
185	(N)	RS2614	RS2614QR	-	-	-

*Gland Reference Letter

Part Breakdown For Customized Cables; One Of Each Type Required

① 3300V 300A 6P Receptacle
Stock No: Refer to Page 38

② Gland Bracket Body Kit
Stock No. RS2510



Compression Gland Type		
*Ref.	Gland ID	Stock No.
(A)	10-15	RS2212
(B)	15-20	RS2213
(C)	20-25	RS2214
(D)	25-30	RS2215
(E)	30-35	RS1618
(F)	35-40	RS1619
(G)	40-45	RS1620
(H)	45-50	RS1621
(I)	50-55	RS1622
(J)	55-60	RS1623
(K)	60-65	RS1624
(L)	65-70	RS1625
(M)	70-75	RS1626
(N)	75-80	RS1627

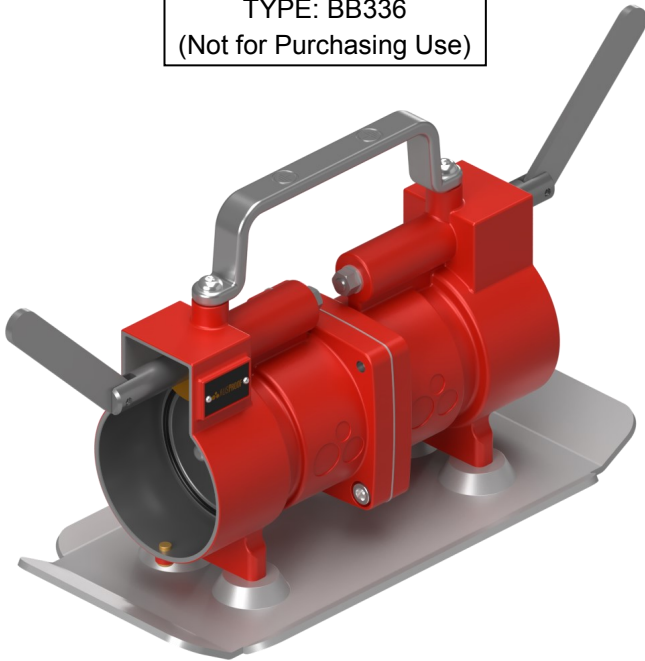
*Gland Reference Letter



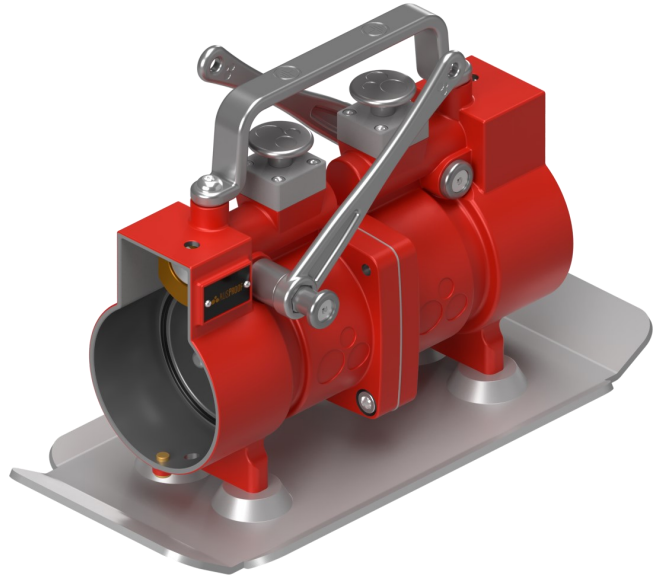
3300V 300A 6 Pin PL Back to Back (B2B)

3 Phase 3 Pilot

TYPE: BB336
(Not for Purchasing Use)



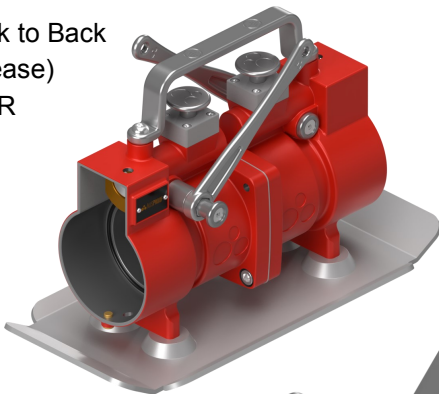
TYPE: QRBB336
(Not for Purchasing Use)



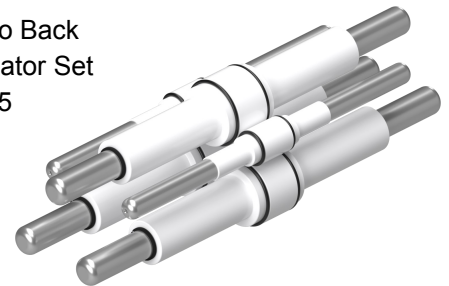
Complete Back to Back	
Jack-In	Quick Release
Stock No: RS2470	Stock No: RS2470QR

Part Breakdown For Repairs; One Of Each Type Required

- 1 3300V 300A 6P Back to Back Body Kit (Quick Release)
Stock No. RS2423QR



- 2 PL 12 - 25 Back to Back Contact and Insulator Set
Stock No. RS2455



- 1 3300V 300A 6P Back to Back Body Kit (Jack-In)
Stock No. RS2423



- 3 PL Back to Back 6P Cage Kit
Stock No. RS2654

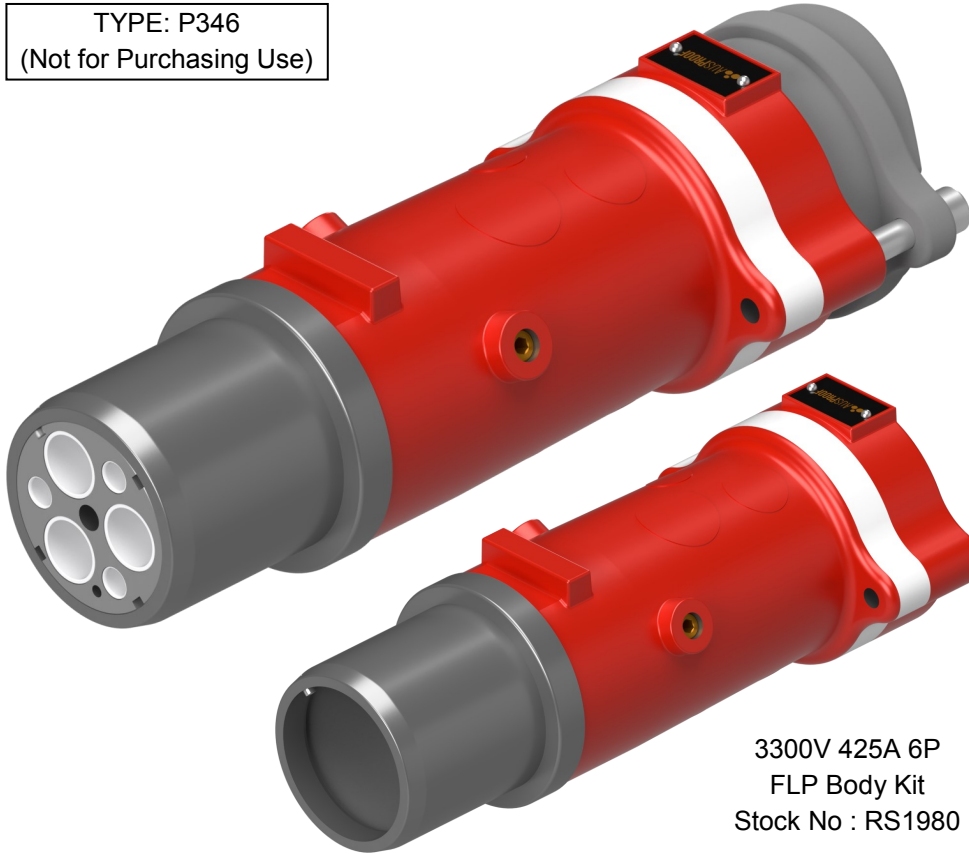




Pilot Orientation

Pre-Built To Suit Cable Type

TYPE: P346
(Not for Purchasing Use)

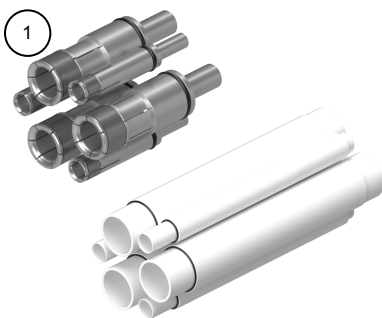


3300V 425A 6P
FLP Body Kit
Stock No : RS1980

Plug Type To Suit Cable Type				
(mm ²)	*Ref.	241.3	*Ref.	245.3
16	(G)	RS1574	-	-
25	(H)	RS1575	-	-
35	(I)	RS1576	-	-
50	(I)	RS1577	(J)	RS2207
70	(J)	RS1578	(K)	RS2208
95	(K)	RS1579	(L)	RS2209
120	(L)	RS1580	(M)	RS2210
150	(M)	RS1581	(N)	RS2211
185	(N)	RS1582	-	-

*Gland Reference Letter

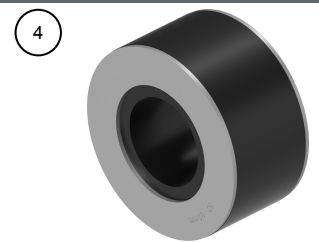
Part Breakdown For Customized Cables; One Of Each Type Required



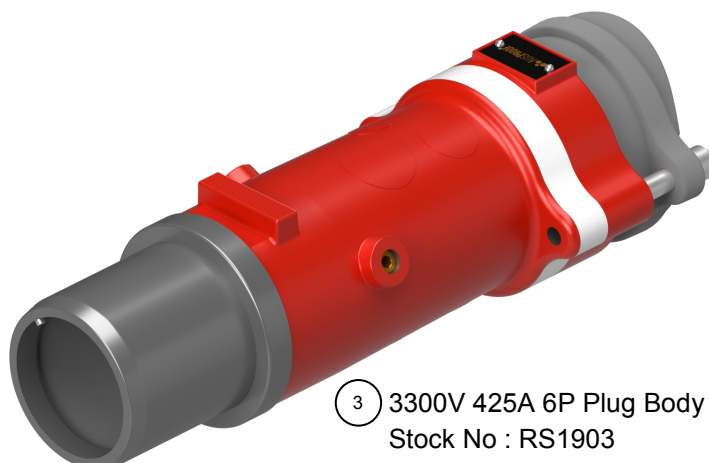
16 / 25 Style Contact + Insulator Sets		
(mm ²)	ID (mm)	Stock No.
16	6.5	RS1951
25	7.5	RS1952
35	9.0	RS1953
50	10.5	RS1954
70	12.5	RS1955
95	14.0	RS1956
120	16.0	RS1957
150	17.7	RS1958
185	19.5	RS1959



2 6P Front Cage
Stock No : RS1915



Compression Gland Type		
*Ref.	Gland ID	Stock No.
(A)	10-15	RS2212
(B)	15-20	RS2213
(C)	20-25	RS2214
(D)	25-30	RS2215
(E)	30-35	RS1618
(F)	35-40	RS1619
(G)	40-45	RS1620
(H)	45-50	RS1621
(I)	50-55	RS1622
(J)	55-60	RS1623
(K)	60-65	RS1624
(L)	65-70	RS1625
(M)	70-75	RS1626
(N)	75-80	RS1627



3 3300V 425A 6P Plug Body
Stock No : RS1903

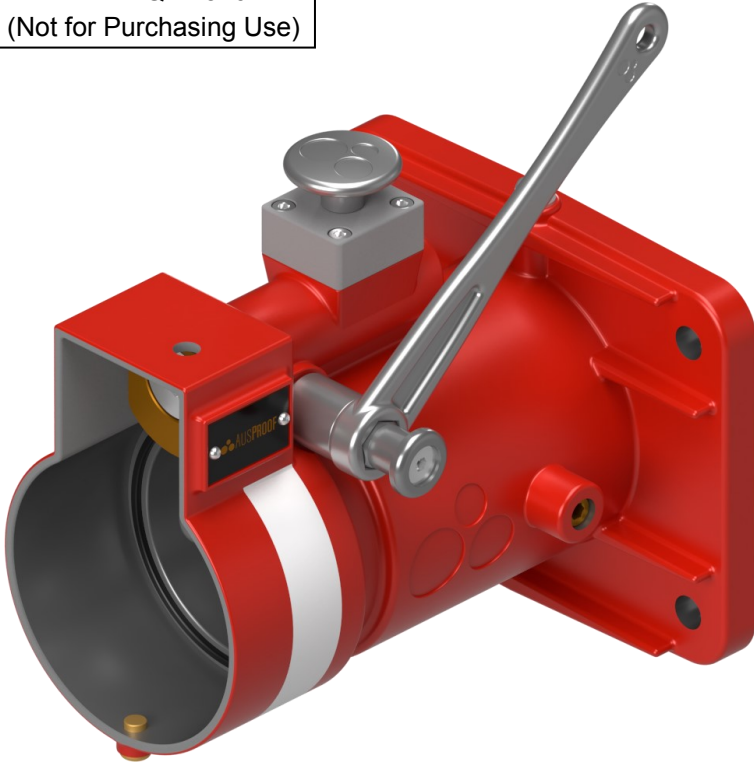
*Gland Reference Letter



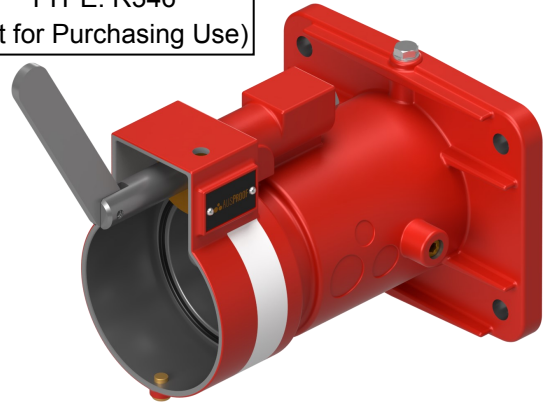
3300V 425A 6 Pin PL Receptacle

3 Phase 3 Pilot

TYPE: QRR346
(Not for Purchasing Use)



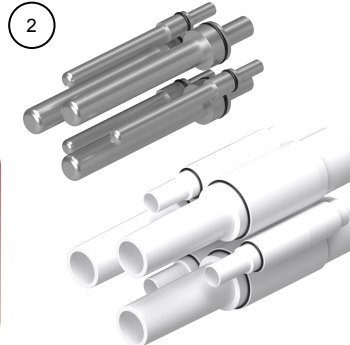
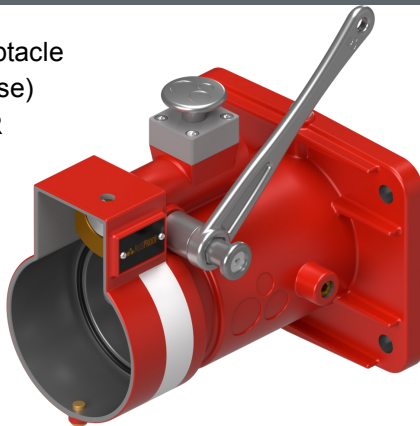
TYPE: R346
(Not for Purchasing Use)



Receptacle Type to Suit mm ² Cable Tails		
(mm ²)	(Quick Release) Stock No.	(Jack In) Stock No.
16	RS1583QR	RS1583
25	RS1584QR	RS1584
35	RS1585QR	RS1585
50	RS1586QR	RS1586
70	RS1587QR	RS1587
95	RS1588QR	RS1588
120	RS1589QR	RS1589
150	RS1590QR	RS1590
185	RS1591QR	RS1591

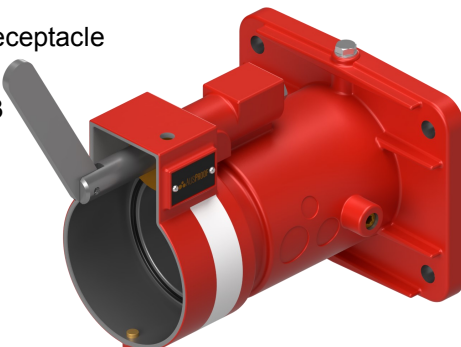
Part Breakdown For Customized Cables; One Of Each Type Required

1 3300V 425A 6P Receptacle
Body Kit (Quick Release)
Stock No : RS1913QR



16 / 106 Style Contact + Insulator Sets		
(mm ²)	ID (mm)	Stock No.
16	6.5	RS2097
25	7.5	RS2098
35	9.0	RS2099
50	10.5	RS2100
70	12.5	RS2101
95	14.0	RS2102
120	16.0	RS2103
150	17.7	RS2104
185	19.5	RS2105

1 3300V 425A 6P Receptacle
Body Kit (Jack-In)
Stock No : RS1913

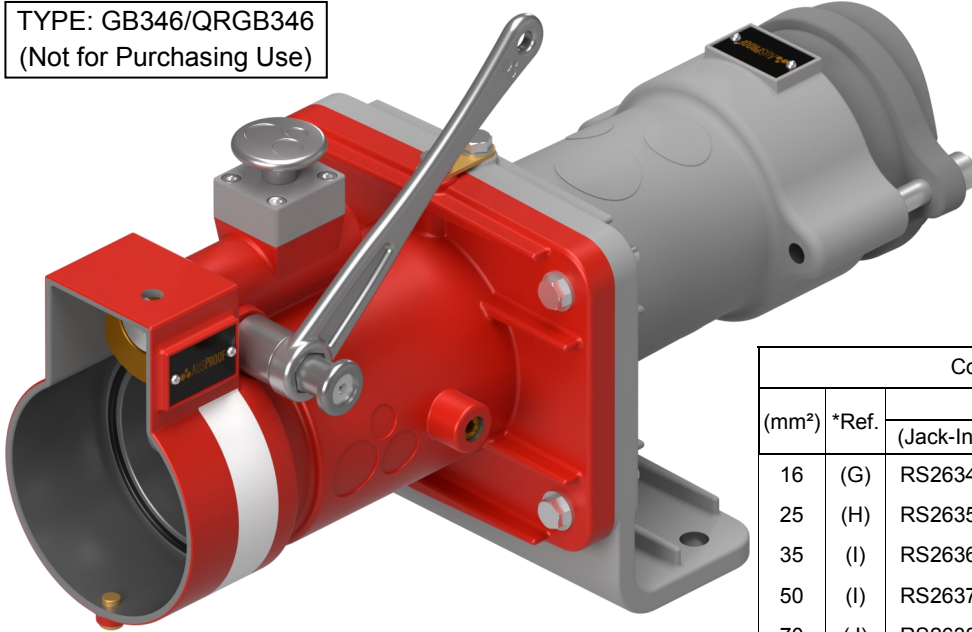


3 6P Receptacle Cage
Stock No : RS1917



Built To Suit Cable Type

TYPE: GB346/QRGB346
(Not for Purchasing Use)



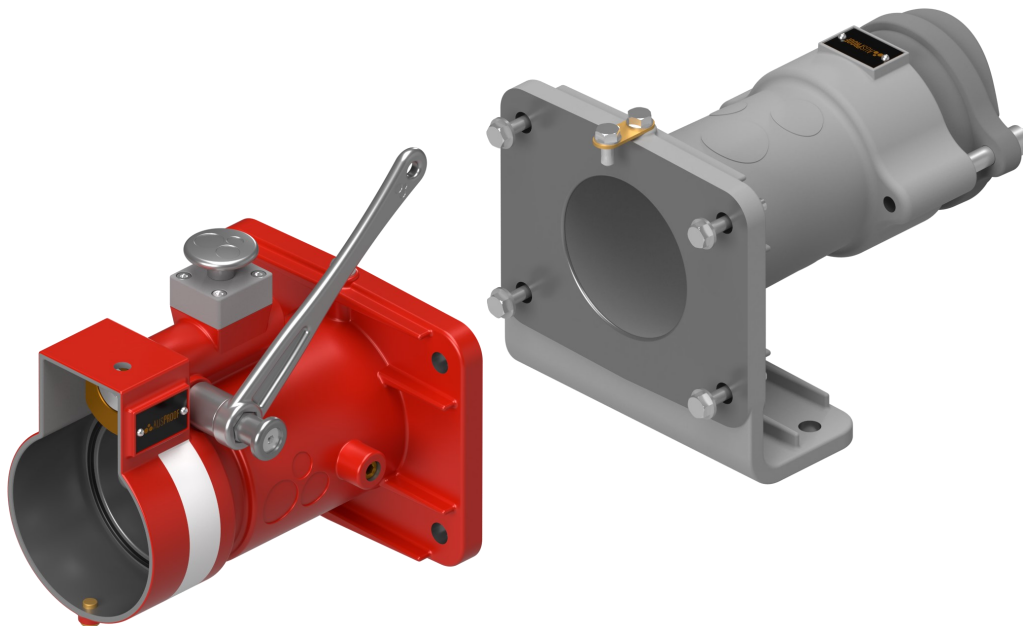
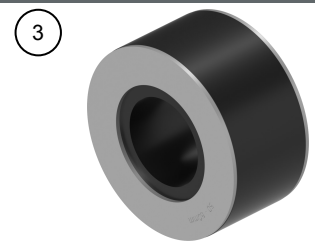
Complete RGB To Suit Cable Type						
(mm ²)	*Ref.	241.3		*Ref.	245.3	
		(Jack-In)	(Quick Release)		(Jack-In)	(Quick Release)
16	(G)	RS2634	RS2634QR	-	-	-
25	(H)	RS2635	RS2635QR	-	-	-
35	(I)	RS2636	RS2636QR	-	-	-
50	(I)	RS2637	RS2637QR	(J)	RS2643	RS2643QR
70	(J)	RS2638	RS2638QR	(K)	RS2644	RS2644QR
95	(K)	RS2639	RS2639QR	(L)	RS2645	RS2645QR
120	(L)	RS2640	RS2640QR	(M)	RS2646	RS2646QR
150	(M)	RS2641	RS2641QR	(N)	RS2647	RS2647QR
185	(N)	RS2642	RS2642QR	-	-	-

*Gland Reference Letter

Part Breakdown For Customized Cables; One Of Each Type Required

① 3300V 425A 6P Receptacle
Stock No: Refer to Page 42

② Gland Bracket Body Kit
Stock No. RS2510



Compression Gland Type		
*Ref.	Gland ID	Stock No.
(A)	10-15	RS2212
(B)	15-20	RS2213
(C)	20-25	RS2214
(D)	25-30	RS2215
(E)	30-35	RS1618
(F)	35-40	RS1619
(G)	40-45	RS1620
(H)	45-50	RS1621
(I)	50-55	RS1622
(J)	55-60	RS1623
(K)	60-65	RS1624
(L)	65-70	RS1625
(M)	70-75	RS1626
(N)	75-80	RS1627

*Gland Reference Letter

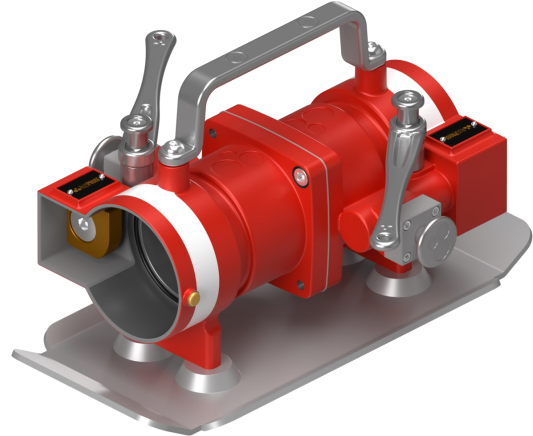
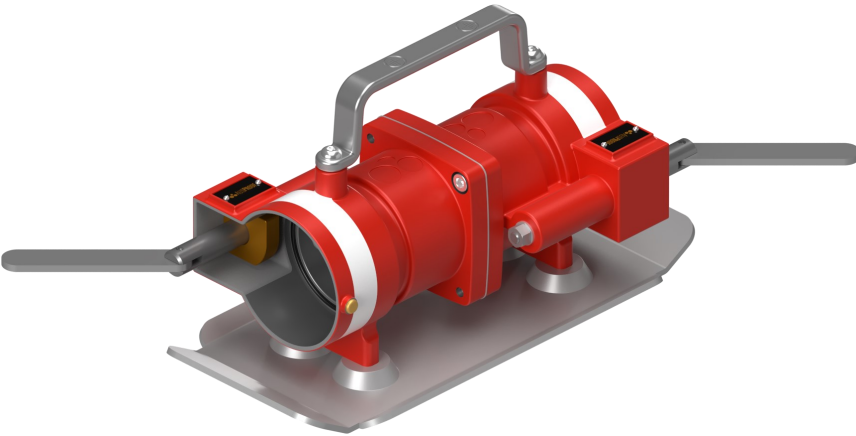


3300V 425A 6 Pin PL Back to Back (B2B)

3 Phase 3 Pilot

TYPE: BB346
(Not for Purchasing Use)

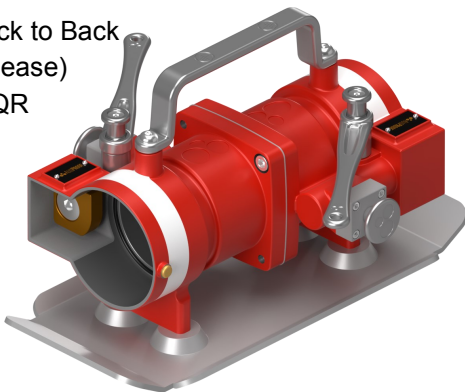
TYPE: QRBB346
(Not for Purchasing Use)



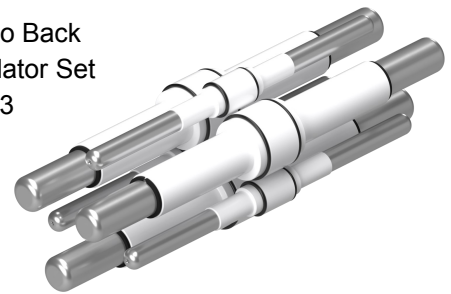
Complete Back to Back	
Jack-In	Quick Release
Stock No: RS2471	Stock No: RS2471QR

Part Breakdown For Repairs; One Of Each Type Required

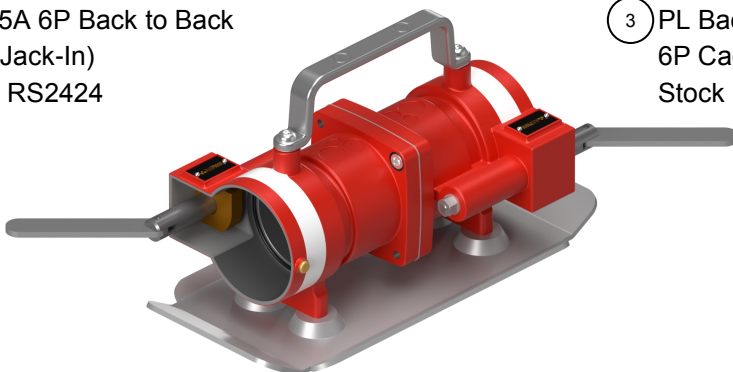
- 1 3300V 425A 6P Back to Back Body Kit (Quick Release)
Stock No. RS2424QR



- 2 PL 16 - 25 Back to Back Contact and Insulator Set
Stock No. RS2653



- 1 3300V 425A 6P Back to Back Body Kit (Jack-In)
Stock No. RS2424

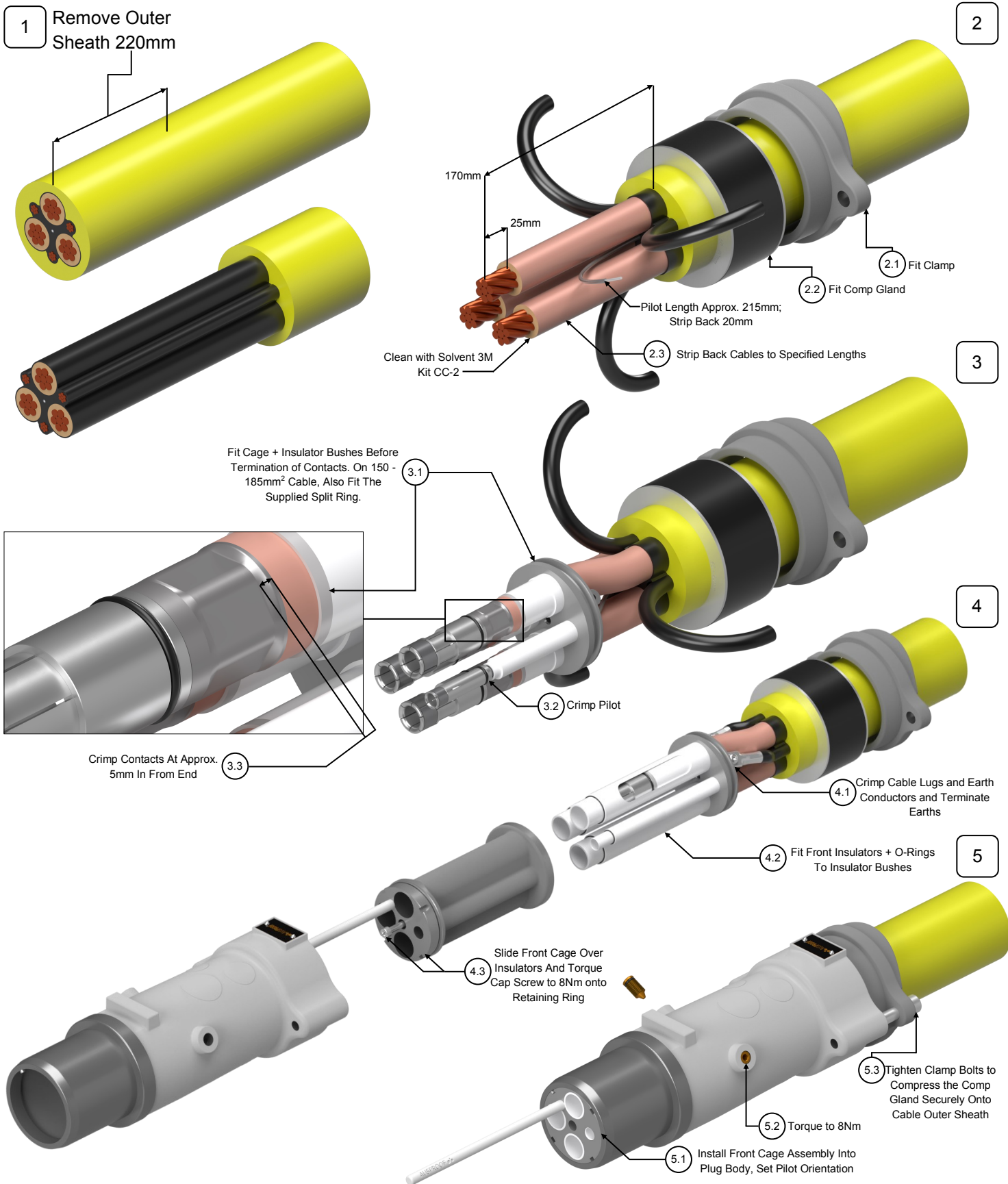
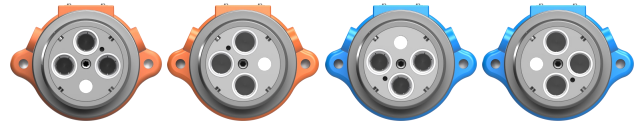


- 3 PL Back to Back 6P Cage Kit
Stock No. RS2654



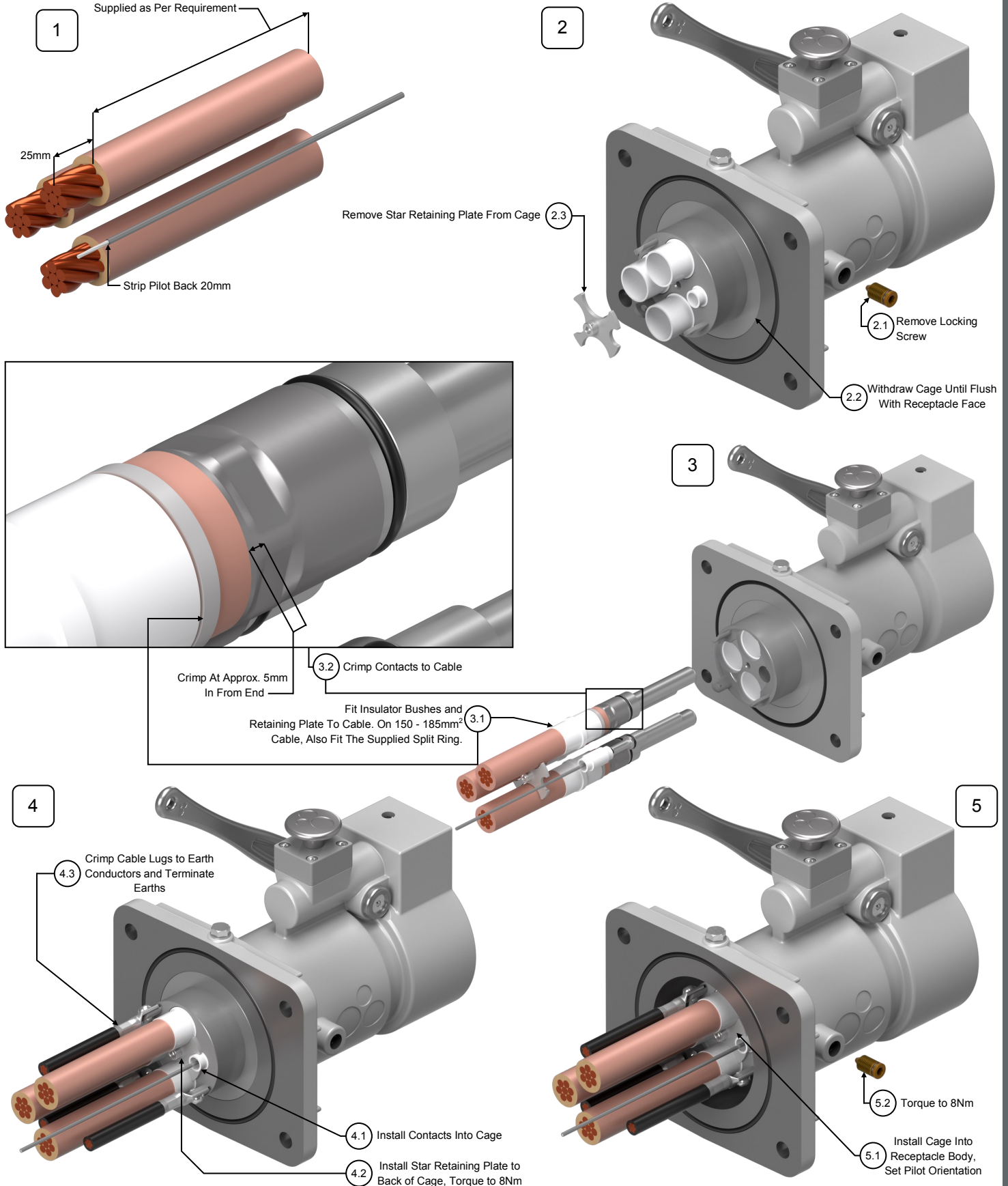
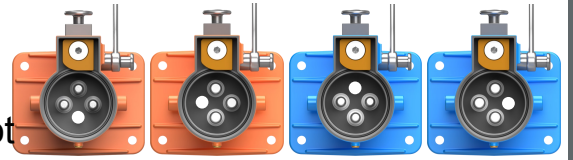
Termination Procedure

660/1100V 300/425A 4 Pin Plug; 3 Phase 1 Pilot



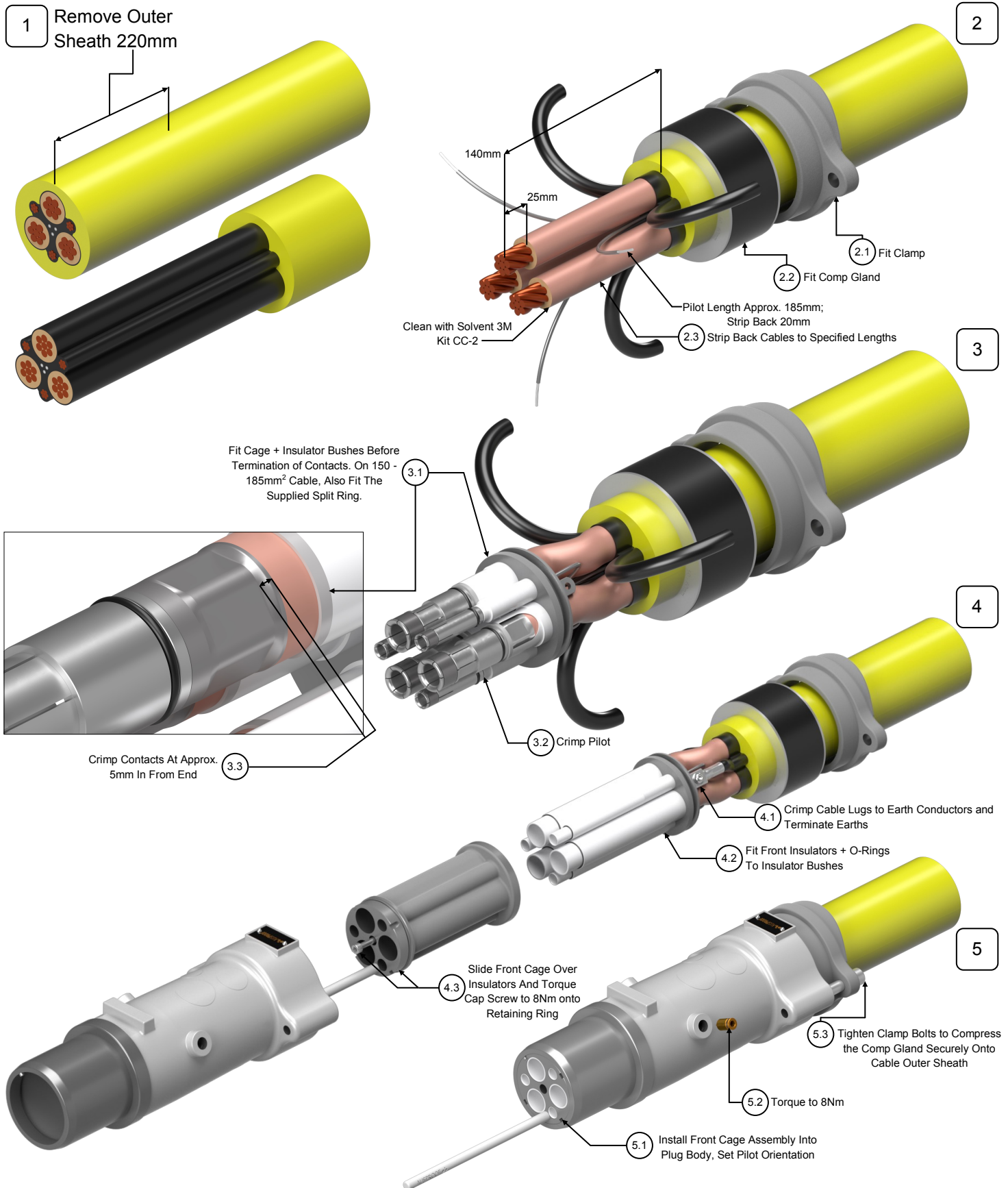
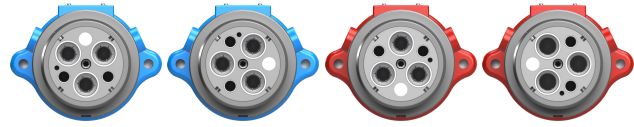
Termination Procedure

660/1100V 300/425A 4 Pin Receptacle; 3 Phase 1 Pilot



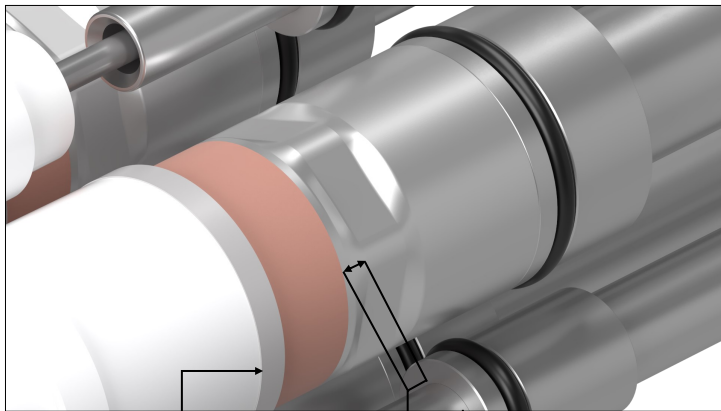
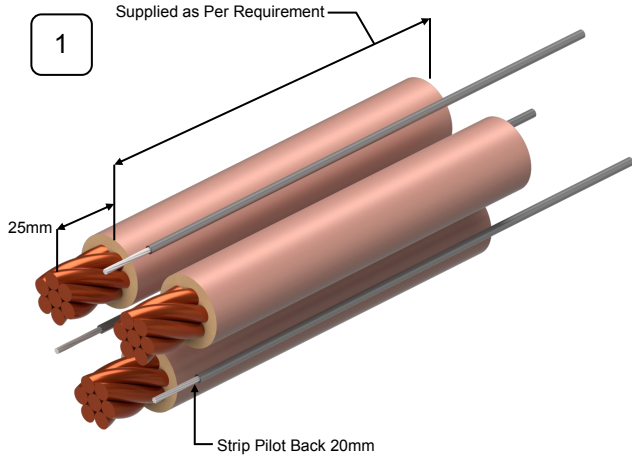
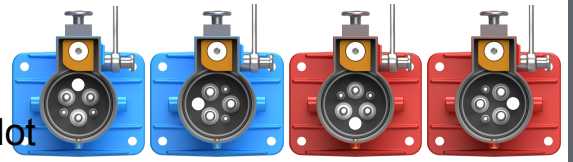
Termination Procedure

1100/3300V 300/425A 6 Pin Plug; 3 Phase 3 Pilot



Termination Procedure

1100/3300V 300/425A 6 Pin Receptacle; 3 Phase 3 Pilot

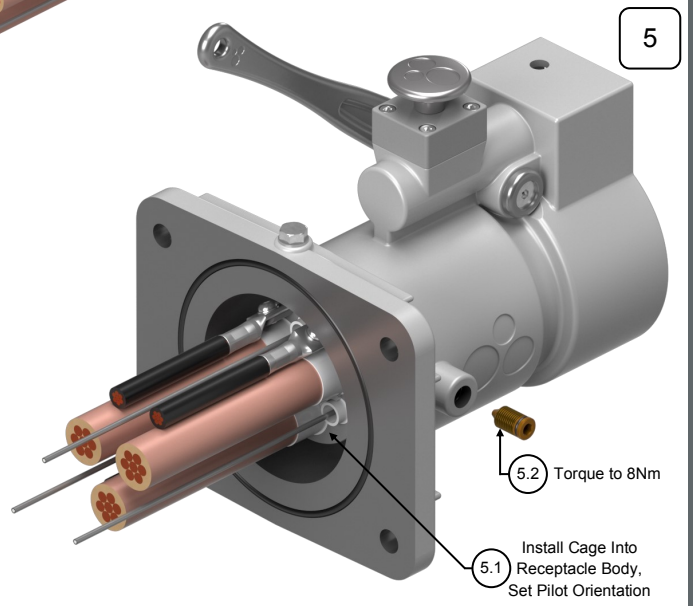
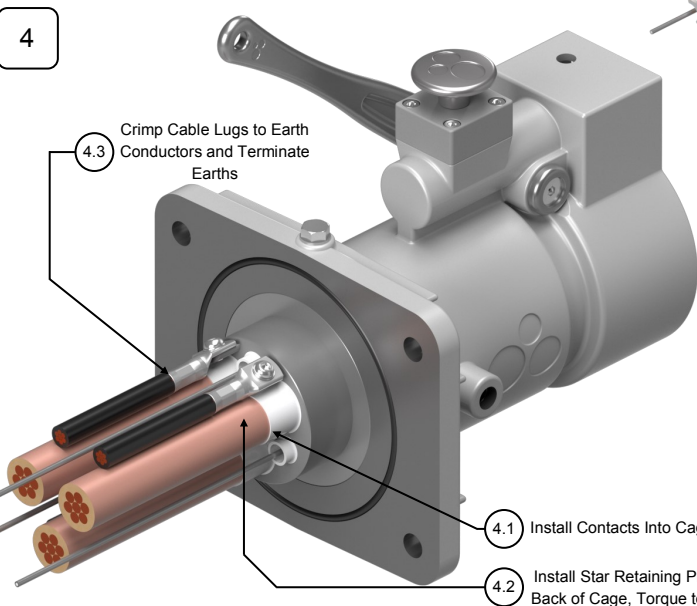
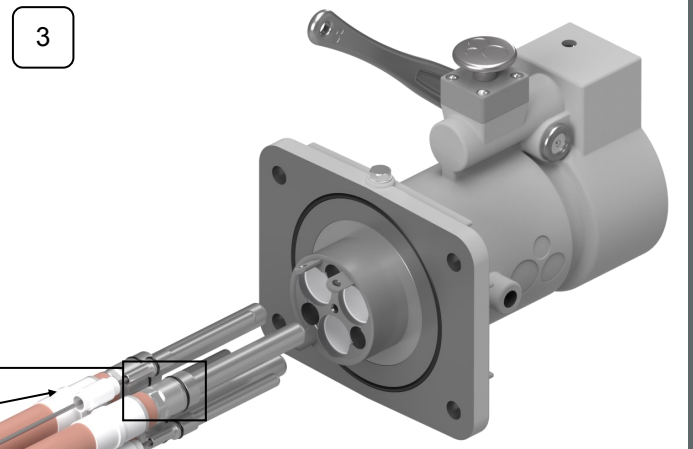
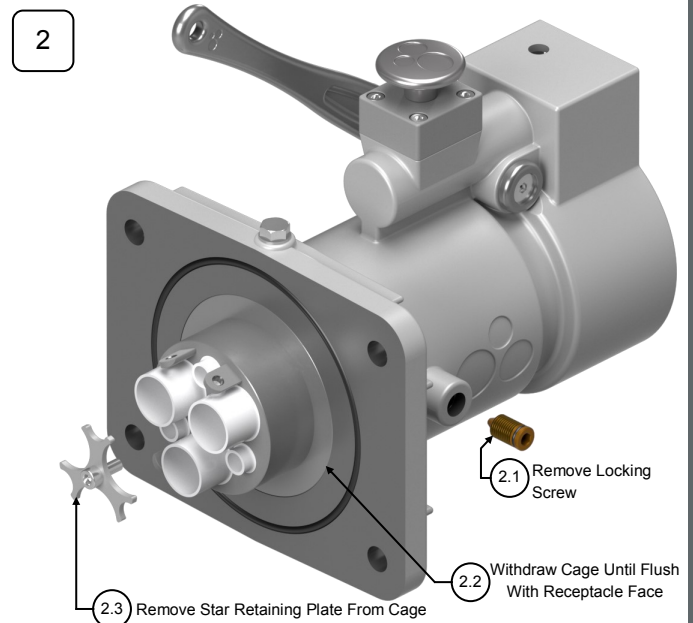


3.2 Crimp Contacts to Cable

Crimp At Approx. 5mm In From End

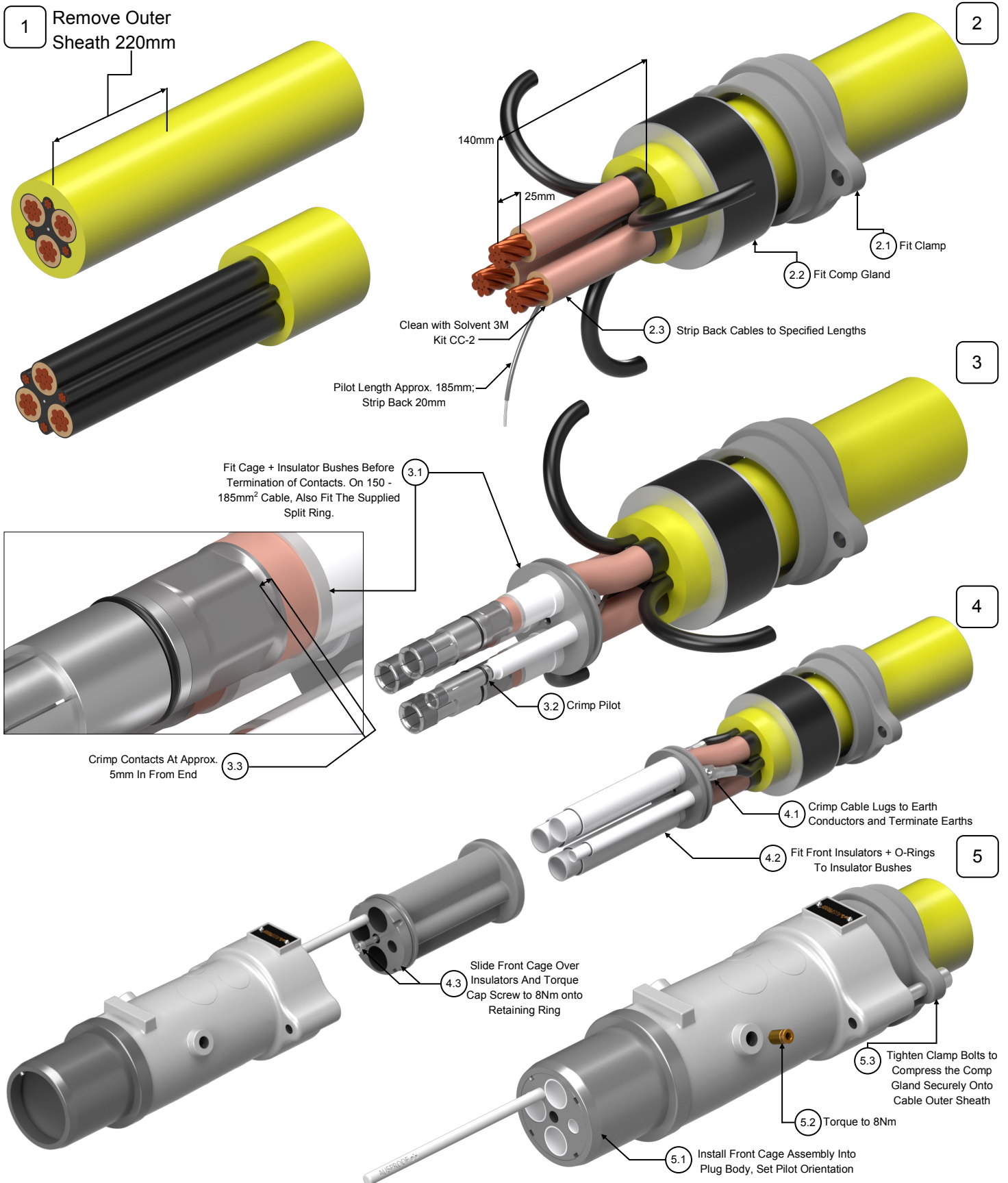
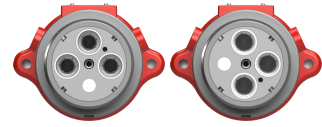
Fit Insulator Bushes and Retaining Plate To Cable. On 150 - 185mm² Cable, Also Fit The Supplied Split Ring.

3.1



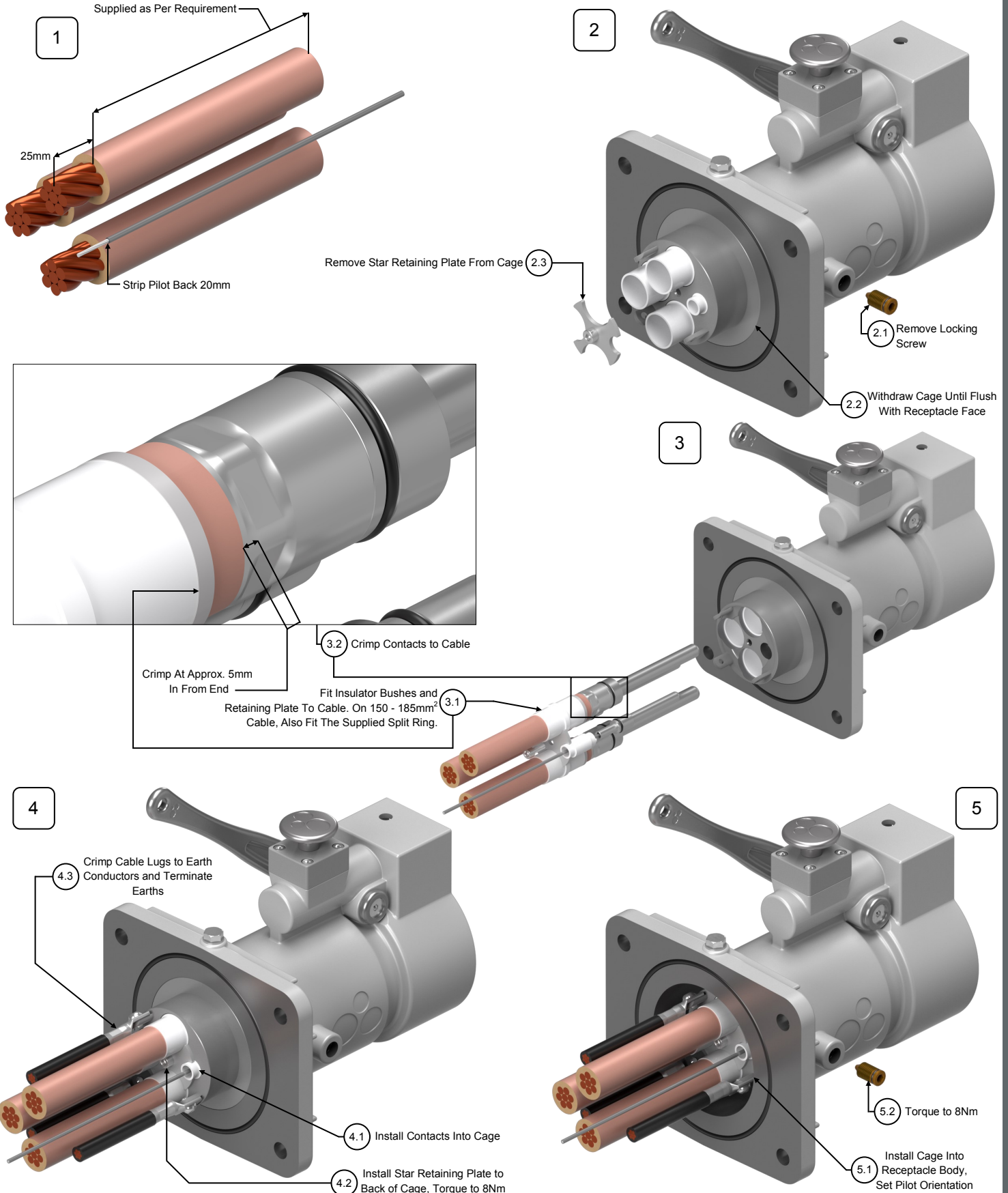
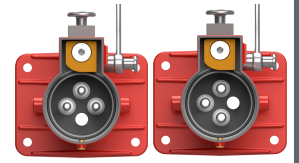
Termination Procedure

3300V 300/425A 4 Pin Plug; 3 Phase 1 Pilot



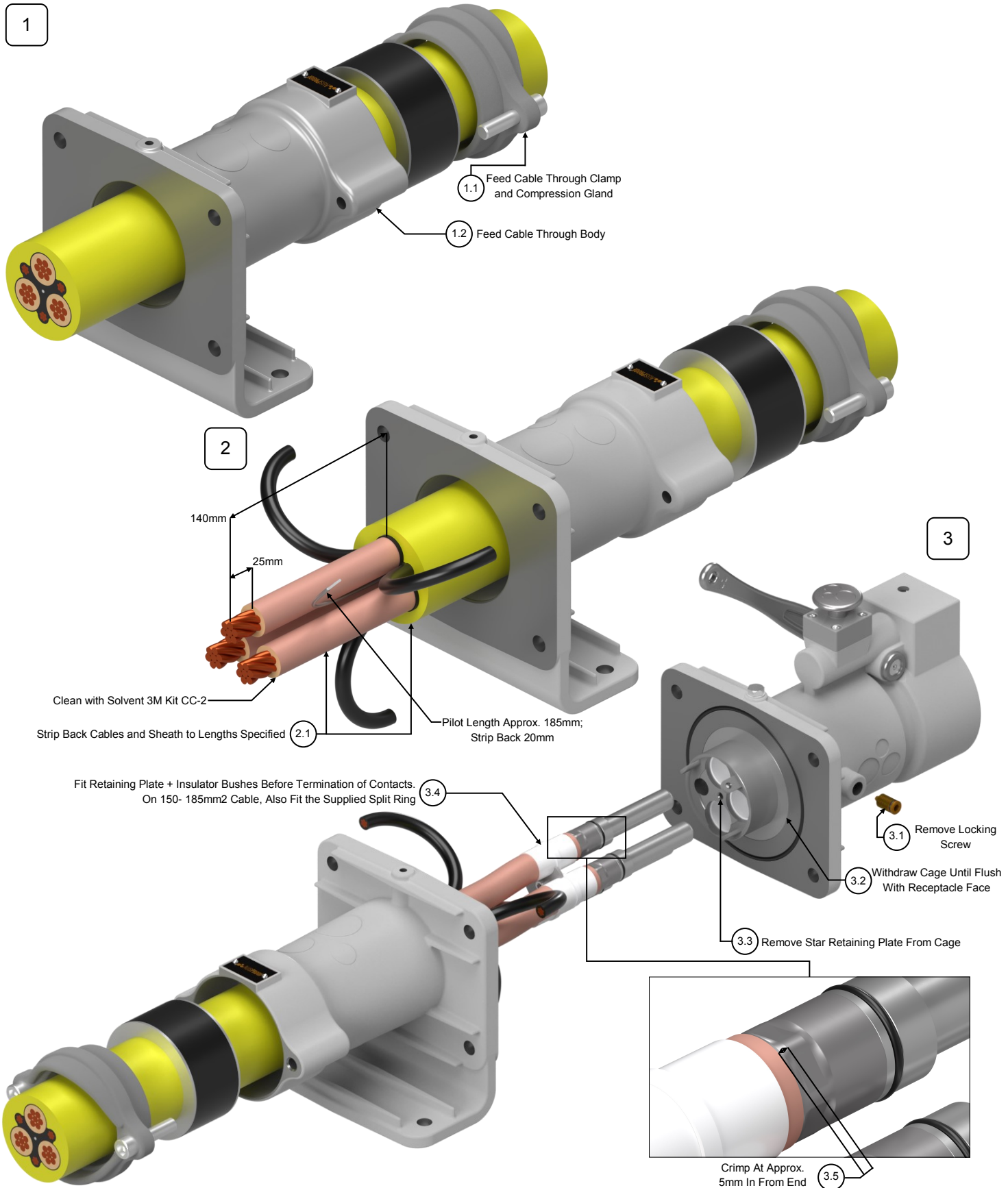
Termination Procedure

3300V 300/425A 4 Pin Receptacle; 3 Phase 1 Pilot



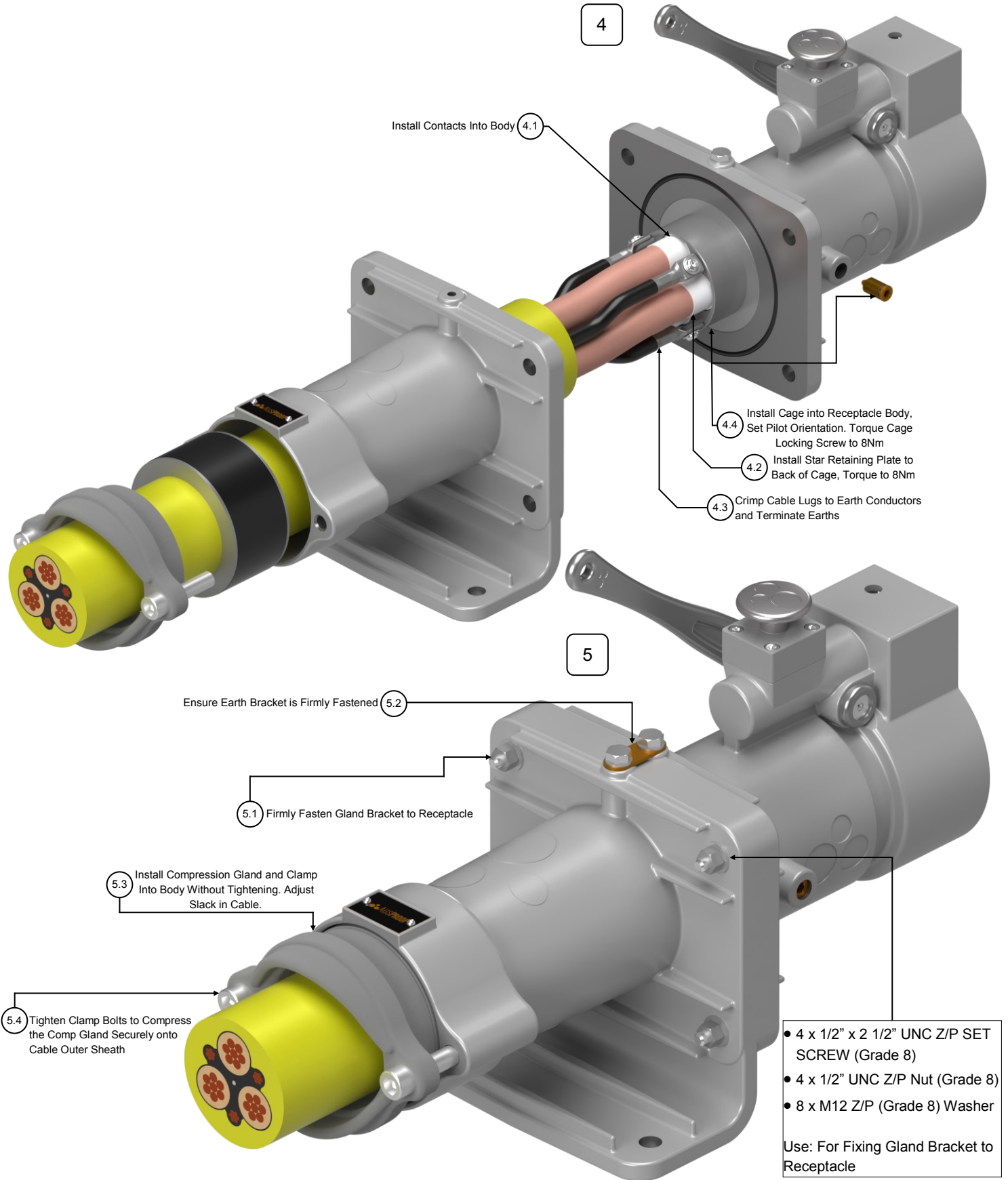
Termination Procedure

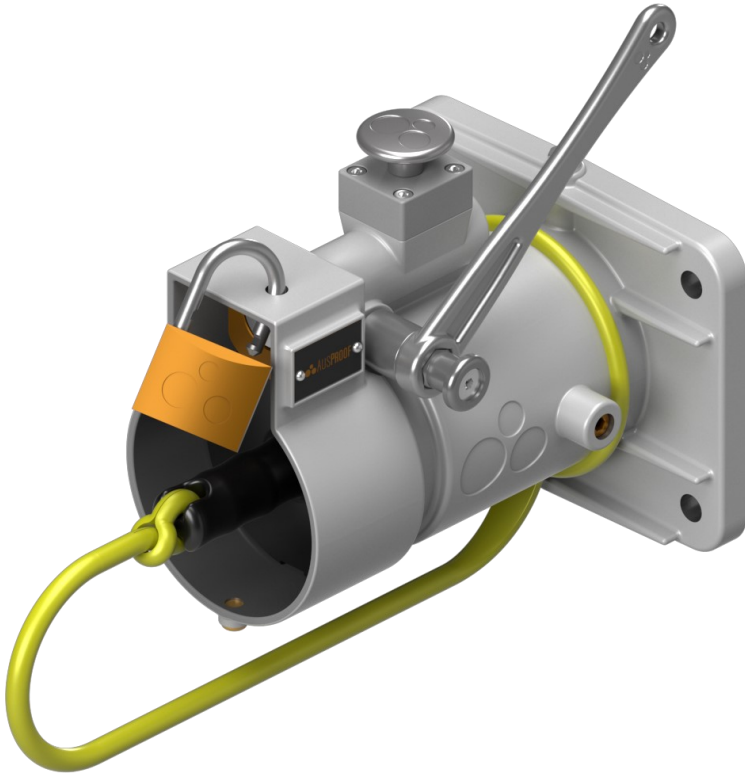
Receptacle Gland Bracket Terminations



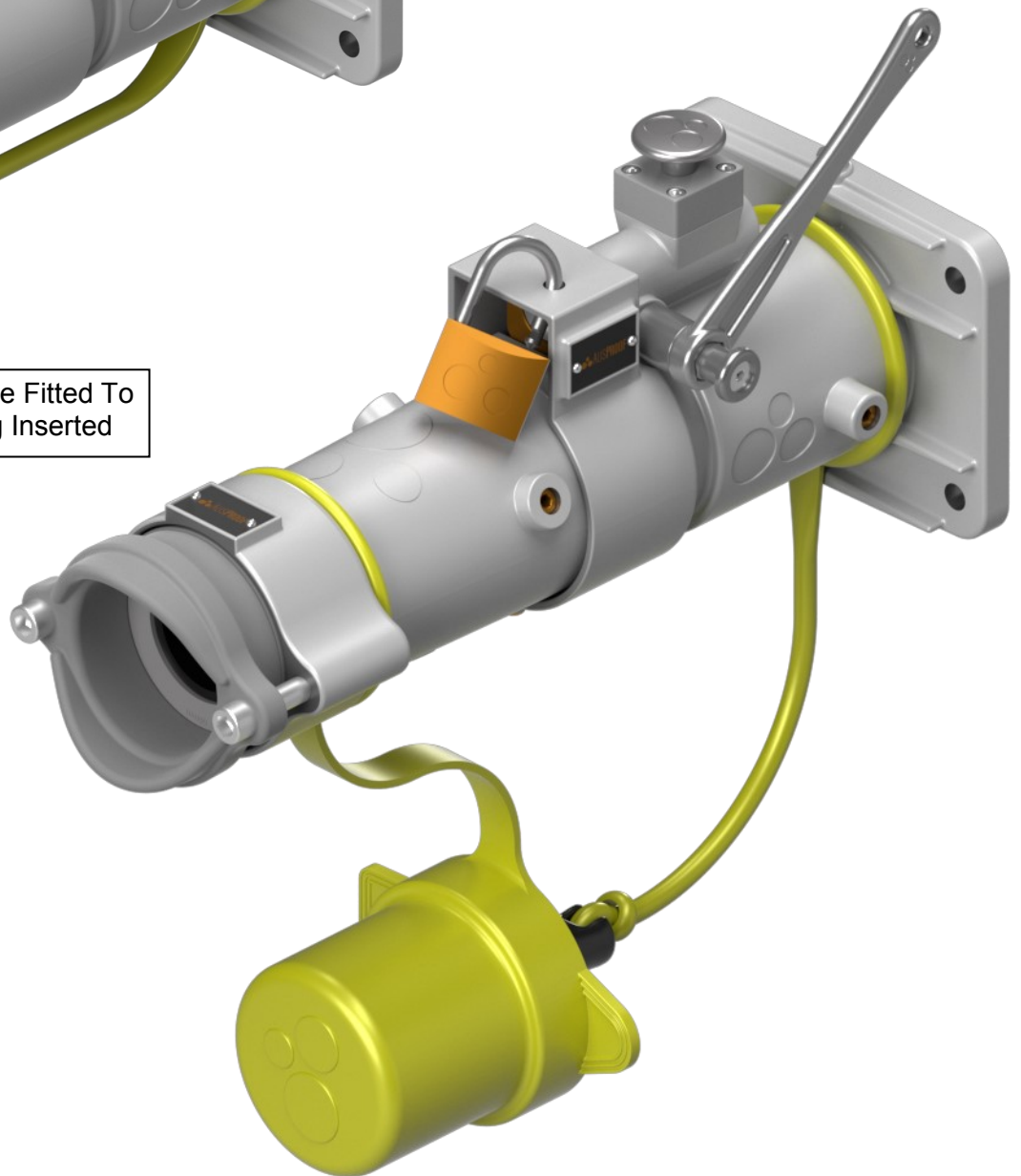
Termination Procedure

Receptacle Gland Bracket Terminations





A Lockout Device May Be Fitted To Prevent the Plug Being Inserted



Accessories

PL Plug



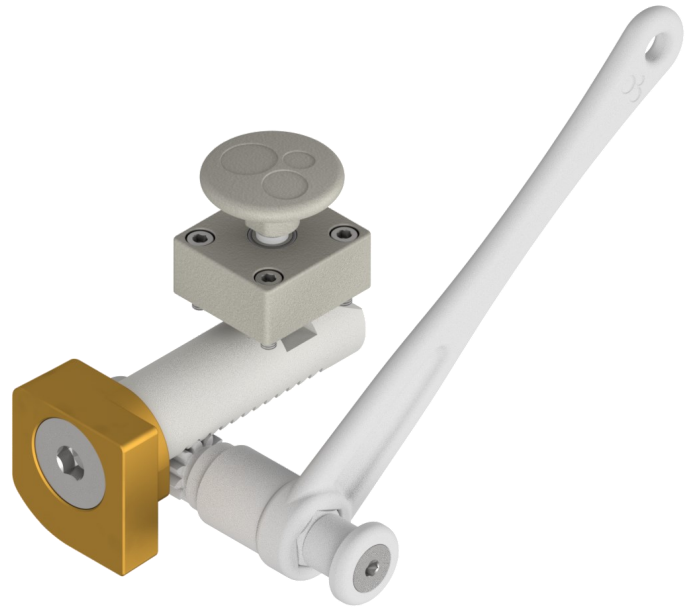
300A/425A
Plug Cover
Part No: 3202



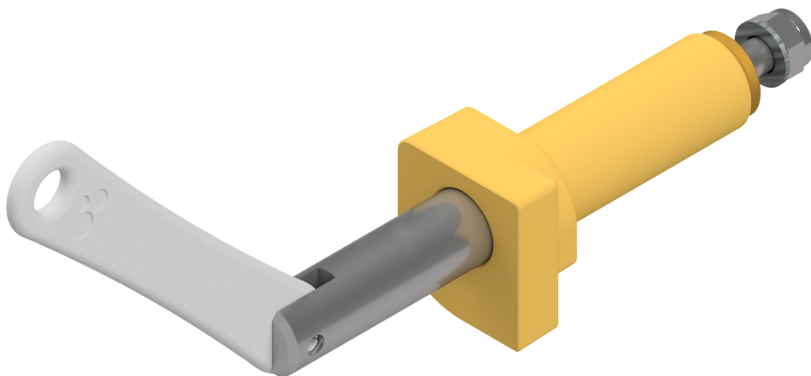
Guide Stick
Part No: 1766



300A/425A
Receptacle Protective Bung
Stock No: RS1767



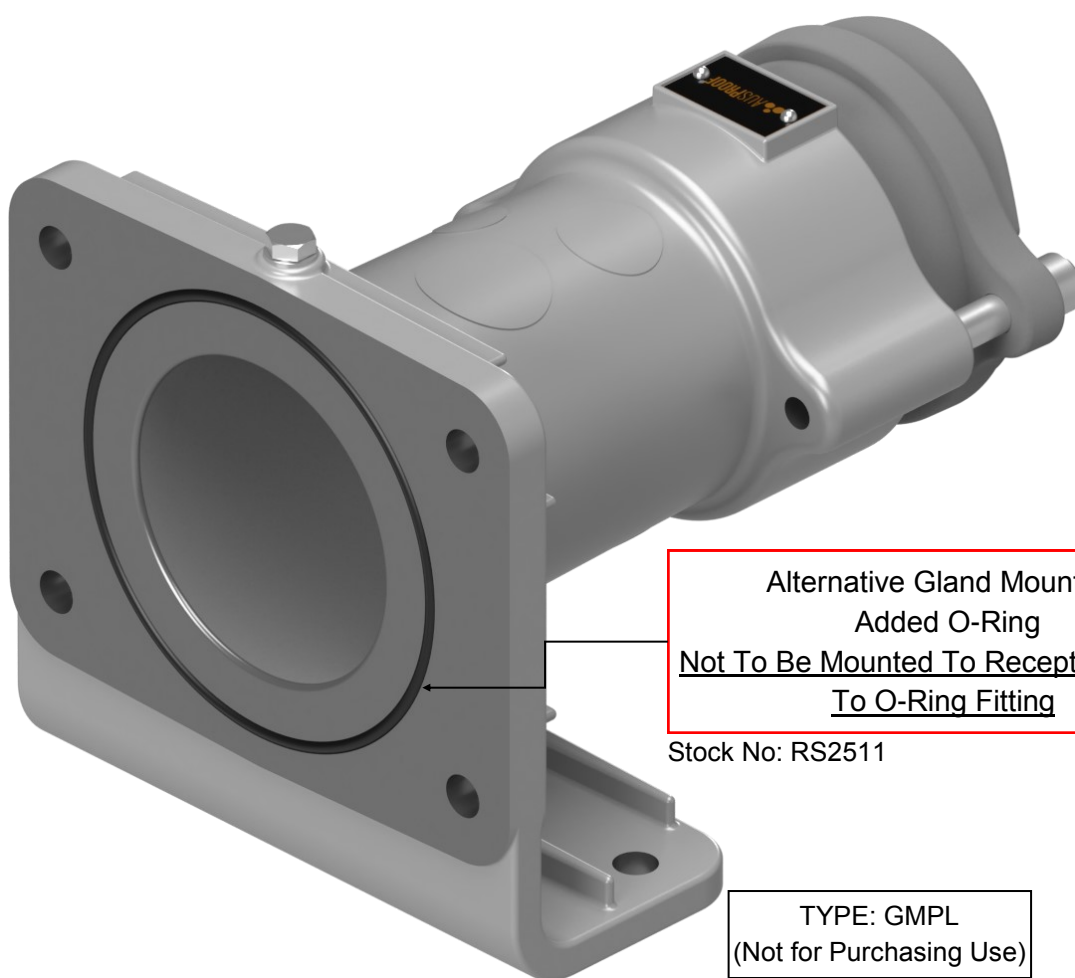
PL QR Repair Kit
Stock No: RS1184



PL Pawl Screw Jack in Full Assembly
Stock No: RS1758

Accessories

PL Receptacle



Alternative Gland Mounting
Added O-Ring
Not To Be Mounted To Receptacles Due
To O-Ring Fitting

Stock No: RS2511

TYPE: GMPL
(Not for Purchasing Use)

Accessories

OIF (O-Ring, Insulators and Fasteners) Repair Kits for Plugs

OIF Repair Kits		Stock Number
660V 300A 4 Pin PL Plug, Contact and Insulator SET Style 16/25		
	16-120mm	RS1675
	150-185mm	RS1679
660V 425A 4 Pin PL Plug, Contact and Insulator SET Style 19/25		Stock Number
	16-120mm	RS1676
	150-185mm	RS1680
1100V 300A 4 Pin PL Plug, Contact and Insulator SET Style 16/25		Stock Number
	16-120mm	RS1675
	150-185mm	RS1679
1100V 425A 4 Pin PL Plug, Contact and Insulator SET Style 19/25		Stock Number
	16-120mm	RS1676
	150-185mm	RS1680
1100V 300A 6 Pin PL Plug, Contact and Insulator SET Style 12/25		Stock Number
	16-120mm	RS1673
	150-185mm	RS1677
1100V 425A 6 Pin PL Plug, Contact and Insulator SET Style 16/25		Stock Number
	16-120mm	RS2475
	150-185mm	RS2476
3300V 300A 4 Pin PL Plug, Contact and Insulator SET Style 12/25		Stock Number
	16-120mm	RS1674
	150-185mm	RS1678
3300V 425A 4 Pin PL Plug, Contact and Insulator SET Style 16/25		Stock Number
	16-120mm	RS2473
	150-185mm	RS2474
3300V 300A 6 Pin PL Plug, Contact and Insulator SET Style 12/25		Stock Number
	16-120mm	RS1673
	150-185mm	RS1677
3300V 425A 6 Pin PL Plug, Contact and Insulator SET Style 16/25		Stock Number
	16-120mm	RS2475
	150-185mm	RS2476

OIF Cage Repair Kits	Stock Number
4 Pin Front Plug Cage (RS1914)	RS3343
6 Pin Front Plug Cage (RS1915)	RS3345



Accessories

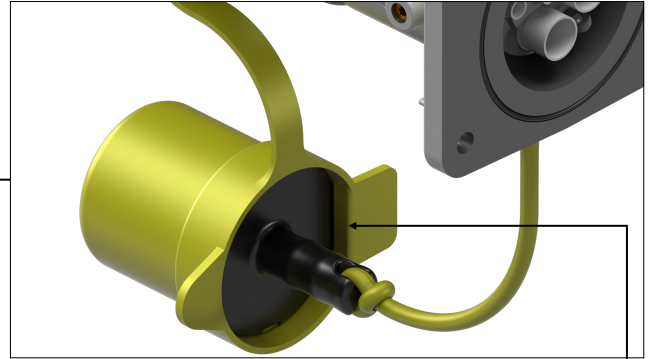
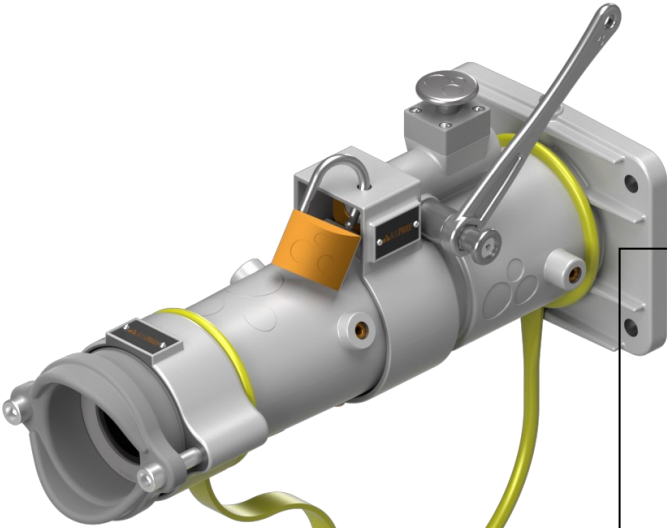
OIF (O-Ring, Insulators and Fasteners) Repair Kits for Receptacles

OIF Repair Kits		Stock Number
660V 300A 4 Pin PL Receptacle, Contact and Insulator SET Style 16/78		
	16-120mm	RS1694
	150-185mm	RS1695
660V 425A 4 Pin PL Receptacle, Contact and Insulator SET Style 19/78		Stock Number
	16-120mm	RS1698
	150-185mm	RS1699
1100V 300A 4 Pin PL Receptacle, Contact and Insulator SET Style 16/78		Stock Number
	16-120mm	RS1694
	150-185mm	RS1695
1100V 425A 4 Pin PL Receptacle, Contact and Insulator SET Style 19/78		Stock Number
	16-120mm	RS1698
	150-185mm	RS1699
1100V 300A 6 Pin PL Receptacle, Contact and Insulator SET Style 12/106		Stock Number
	16-120mm	RS1700
	150-185mm	RS1701
1100V 425A 6 Pin PL Receptacle, Contact and Insulator SET Style 16/106		Stock Number
	16-120mm	RS1702
	150-185mm	RS1703
3300V 300A 4 Pin PL Receptacle, Contact and Insulator SET Style 12/106		Stock Number
	16-120mm	RS1692
	150-185mm	RS1693
3300V 425A 4 Pin PL Receptacle, Contact and Insulator SET Style 16/106		Stock Number
	16-120mm	RS1696
	150-185mm	RS1697
3300V 300A 6 Pin PL Receptacle, Contact and Insulator SET Style 12/106		Stock Number
	16-120mm	RS1700
	150-185mm	RS1701
3300V 425A 6 Pin PL Receptacle, Contact and Insulator SET Style 16/106		Stock Number
	16-120mm	RS1702
	150-185mm	RS1703
OIF Cage Repair Kits		Stock Number
	4 Pin Receptacle Cage (RS1916)	RS3344
	6 Pin Receptacle Cage (RS1917)	RS3346

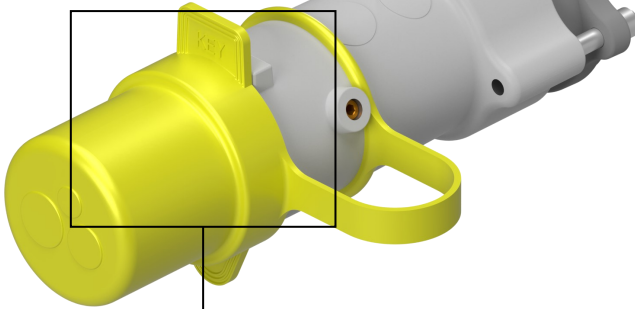
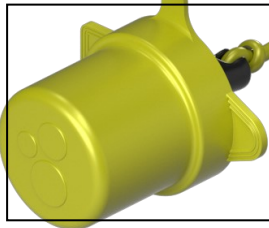


Handling

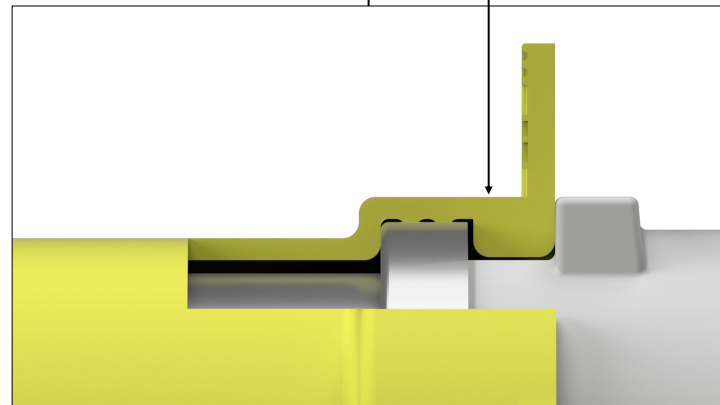
PL Plug And Receptacle



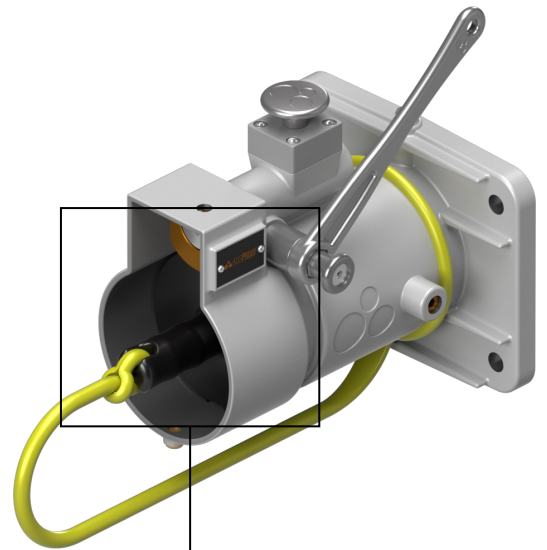
When Not In Use, Insert Receptacle Bung Into Silicone Plug Cover. Ensure Bung is Inserted Past the Rubber Key.



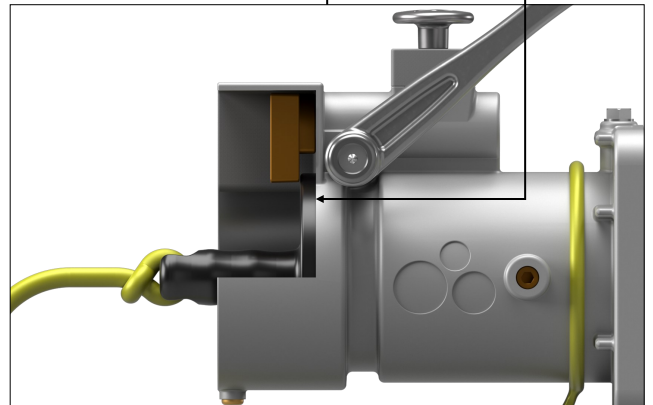
Ensure Key Is Engaged With Plug Body



Plug Key Engagement



Ensure Receptacle Bung Is Locked In Place With Pawl



Receptacle Key Engagement

Glossary

Part No	Description
3202	PL Silicone Plug Cover Cap
RS1412	PL 660V 300A 4P Plug (270) 16-C 35-40-G (241.1)
RS1413	PL 660V 300A 4P Plug (270) 25-C 35-40-G (241.1)
RS1414	PL 660V 300A 4P Plug (270) 35-C 40-45-G (241.1)
RS1415	PL 660V 300A 4P Plug (270) 50-C 45-50-G (241.1)
RS1416	PL 660V 300A 4P Plug (270) 70-C 50-55-G (241.1)
RS1417	PL 660V 300A 4P Plug (270) 95-C 55-60-G (241.1)
RS1418	PL 660V 300A 4P Plug (270) 120-C 60-65-G (241.1)
RS1419	PL 660V 300A 4P Plug (270) 150-C 65-70-G (241.1)
RS1420	PL 660V 300A 4P Plug (270) 185-C 70-75-G (241.1)
RS1421	PL 660V 300A 4P Receptacle (270) 16-C
RS1421QR	PL QR 660V 300A 4P Receptacle (270) 16-C
RS1422	PL 660V 300A 4P Receptacle (270) 25-C
RS1422QR	PL QR 660V 300A 4P Receptacle (270) 25-C
RS1423	PL 660V 300A 4P Receptacle (270) 35-C
RS1423QR	PL QR 660V 300A 4P Receptacle (270) 35-C
RS1424	PL 660V 300A 4P Receptacle (270) 50-C
RS1424QR	PL QR 660V 300A 4P Receptacle (270) 50-C
RS1425	PL 660V 300A 4P Receptacle (270) 70-C
RS1425QR	PL QR 660V 300A 4P Receptacle (270) 70-C
RS1426	PL 660V 300A 4P Receptacle (270) 95-C
RS1426QR	PL QR 660V 300A 4P Receptacle (270) 95-C
RS1427	PL 660V 300A 4P Receptacle (270) 120-C
RS1427QR	PL QR 660V 300A 4P Receptacle (270) 120-C
RS1428	PL 660V 300A 4P Receptacle (270) 150-C
RS1428QR	PL QR 660V 300A 4P Receptacle (270) 150-C
RS1429	PL 660V 300A 4P Receptacle (270) 185-C
RS1429QR	PL QR 660V 300A 4P Receptacle (270) 185-C
RS1430	PL 660V 425A 4P Plug (0) 16-C 35-40-G (241.1)
RS1431	PL 660V 425A 4P Plug (0) 25-C 35-40-G (241.1)
RS1432	PL 660V 425A 4P Plug (0) 35-C 40-45-G (241.1)
RS1433	PL 660V 425A 4P Plug (0) 50-C 45-50-G (241.1)
RS1434	PL 660V 425A 4P Plug (0) 70-C 50-55-G (241.1)
RS1435	PL 660V 425A 4P Plug (0) 95-C 55-60-G (241.1)
RS1436	PL 660V 425A 4P Plug (0) 120-C 60-65-G (241.1)
RS1437	PL 660V 425A 4P Plug (0) 150-C 65-70-G (241.1)
RS1438	PL 660V 425A 4P Plug (0) 185-C 70-75-G (241.1)
RS1439	PL 660V 425A 4P Receptacle (180) 16-C
RS1439QR	PL QR 660V 425A 4P Receptacle (180) 16-C
RS1440	PL 660V 425A 4P Receptacle (180) 25-C
RS1440QR	PL QR 660V 425A 4P Receptacle (180) 25-C
RS1441	PL 660V 425A 4P Receptacle (180) 35-C
RS1441QR	PL QR 660V 425A 4P Receptacle (180) 35-C

Part No	Description
RS1442	PL 660V 425A 4P Receptacle (180) 50-C
RS1442QR	PL QR 660V 425A 4P Receptacle (180) 50-C
RS1443	PL 660V 425A 4P Receptacle (180) 70-C
RS1443QR	PL QR 660V 425A 4P Receptacle (180) 70-C
RS1444	PL 660V 425A 4P Receptacle (180) 95-C
RS1444QR	PL QR 660V 425A 4P Receptacle (180) 95-C
RS1445	PL 660V 425A 4P Receptacle (180) 120-C
RS1445QR	PL QR 660V 425A 4P Receptacle (180) 120-C
RS1446	PL 660V 425A 4P Receptacle (180) 150-C
RS1446QR	PL QR 660V 425A 4P Receptacle (180) 150-C
RS1447	PL 660V 425A 4P Receptacle (180) 185-C
RS1447QR	PL QR 660V 425A 4P Receptacle (180) 185-C
RS1448	PL 1100V 300A 4P Plug (90) 16-C 35-40-G (241.1)
RS1449	PL 1100V 300A 4P Plug (90) 25-C 35-40-G (241.1)
RS1450	PL 1100V 300A 4P Plug (90) 35-C 40-45-G (241.1)
RS1451	PL 1100V 300A 4P Plug (90) 50-C 45-50-G (241.1)
RS1452	PL 1100V 300A 4P Plug (90) 70-C 50-55-G (241.1)
RS1453	PL 1100V 300A 4P Plug (90) 95-C 55-60-G (241.1)
RS1454	PL 1100V 300A 4P Plug (90) 120-C 60-65-G (241.1)
RS1455	PL 1100V 300A 4P Plug (90) 150-C 65-70-G (241.1)
RS1456	PL 1100V 300A 4P Plug (90) 185-C 70-75-G (241.1)
RS1457	PL 1100V 300A 4P Receptacle (90) 16-C
RS1457QR	PL QR 1100V 300A 4P Receptacle (90) 16-C
RS1458	PL 1100V 300A 4P Receptacle (90) 25-C
RS1458QR	PL QR 1100V 300A 4P Receptacle (90) 25-C
RS1459	PL 1100V 300A 4P Receptacle (90) 35-C
RS1459QR	PL QR 1100V 300A 4P Receptacle (90) 35-C
RS1460	PL 1100V 300A 4P Receptacle (90) 50-C
RS1460QR	PL QR 1100V 300A 4P Receptacle (90) 50-C
RS1461	PL 1100V 300A 4P Receptacle (90) 70-C
RS1461QR	PL QR 1100V 300A 4P Receptacle (90) 70-C
RS1462	PL 1100V 300A 4P Receptacle (90) 95-C
RS1462QR	PL QR 1100V 300A 4P Receptacle (90) 95-C
RS1463	PL 1100V 300A 4P Receptacle (90) 120-C
RS1463QR	PL QR 1100V 300A 4P Receptacle (90) 120-C
RS1464	PL 1100V 300A 4P Receptacle (90) 150-C
RS1464QR	PL QR 1100V 300A 4P Receptacle (90) 150-C
RS1465	PL 1100V 300A 4P Receptacle (90) 185-C
RS1465QR	PL QR 1100V 300A 4P Receptacle (90) 185-C
RS1466	PL 1100V 300A 6P Plug (90) 16-C 35-40-G (241.1)
RS1467	PL 1100V 300A 6P Plug (90) 25-C 35-40-G (241.1)
RS1468	PL 1100V 300A 6P Plug (90) 35-C 40-45-G (241.1)
RS1469	PL 1100V 300A 6P Plug (90) 50-C 45-50-G (241.1)

Glossary

Part No	Description
RS1470	PL 1100V 300A 6P Plug (90) 70-C 50-55-G (241.1)
RS1471	PL 1100V 300A 6P Plug (90) 95-C 55-60-G (241.1)
RS1472	PL 1100V 300A 6P Plug (90) 120-C 60-65-G (241.1)
RS1473	PL 1100V 300A 6P Plug (90) 150-C 65-70-G (241.1)
RS1474	PL 1100V 300A 6P Plug (90) 185-C 70-75-G (241.1)
RS1475	PL 1100V 300A 6P Receptacle (90) 16-C
RS1475QR	PL QR 1100V 300A 6P Receptacle (90) 16-C
RS1476	PL 1100V 300A 6P Receptacle (90) 25-C
RS1476QR	PL QR 1100V 300A 6P Receptacle (90) 25-C
RS1477	PL 1100V 300A 6P Receptacle (90) 35-C
RS1477QR	PL QR 1100V 300A 6P Receptacle (90) 35-C
RS1478	PL 1100V 300A 6P Receptacle (90) 50-C
RS1478QR	PL QR 1100V 300A 6P Receptacle (90) 50-C
RS1479	PL 1100V 300A 6P Receptacle (90) 70-C
RS1479QR	PL QR 1100V 300A 6P Receptacle (90) 70-C
RS1480	PL 1100V 300A 6P Receptacle (90) 95-C
RS1480QR	PL QR 1100V 300A 6P Receptacle (90) 95-C
RS1481	PL 1100V 300A 6P Receptacle (90) 120-C
RS1481QR	PL QR 1100V 300A 6P Receptacle (90) 120-C
RS1482	PL 1100V 300A 6P Receptacle (90) 150-C
RS1482QR	PL QR 1100V 300A 6P Receptacle (90) 150-C
RS1483	PL 1100V 300A 6P Receptacle (90) 185-C
RS1483QR	PL QR 1100V 300A 6P Receptacle (90) 185-C
RS1484	PL 1100V 425A 4P Plug (180) 16-C 35-40-G (241.1)
RS1485	PL 1100V 425A 4P Plug (180) 25-C 35-40-G (241.1)
RS1486	PL 1100V 425A 4P Plug (180) 35-C 40-45-G (241.1)
RS1487	PL 1100V 425A 4P Plug (180) 50-C 45-50-G (241.1)
RS1488	PL 1100V 425A 4P Plug (180) 70-C 50-55-G (241.1)
RS1489	PL 1100V 425A 4P Plug (180) 95-C 55-60-G (241.1)
RS1490	PL 1100V 425A 4P Plug (180) 120-C 60-65-G (241.1)
RS1491	PL 1100V 425A 4P Plug (180) 150-C 65-70-G (241.1)
RS1492	PL 1100V 425A 4P Plug (180) 185-C 70-75-G (241.1)
RS1493	PL 1100V 425A 4P Receptacle (0) 16-C
RS1493QR	PL QR 1100V 425A 4P Receptacle (0) 16-C
RS1494	PL 1100V 425A 4P Receptacle (0) 25-C
RS1494QR	PL QR 1100V 425A 4P Receptacle (0) 25-C
RS1495	PL 1100V 425A 4P Receptacle (0) 35-C
RS1495QR	PL QR 1100V 425A 4P Receptacle (0) 35-C
RS1496	PL 1100V 425A 4P Receptacle (0) 50-C
RS1496QR	PL QR 1100V 425A 4P Receptacle (0) 50-C
RS1497	PL 1100V 425A 4P Receptacle (0) 70-C
RS1497QR	PL QR 1100V 425A 4P Receptacle (0) 70-C
RS1498	PL 1100V 425A 4P Receptacle (0) 95-C

Part No	Description
RS1498QR	PL QR 1100V 425A 4P Receptacle (0) 95-C
RS1499	PL 1100V 425A 4P Receptacle (0) 120-C
RS1499QR	PL QR 1100V 425A 4P Receptacle (0) 120-C
RS1500	PL 1100V 425A 4P Receptacle (0) 150-C
RS1500QR	PL QR 1100V 425A 4P Receptacle (0) 150-C
RS1501	PL 1100V 425A 4P Receptacle (0) 185-C
RS1501QR	PL QR 1100V 425A 4P Receptacle (0) 185-C
RS1502	PL 1100V 425A 6P Plug (0) 16-C 35-40-G (241.1)
RS1503	PL 1100V 425A 6P Plug (0) 25-C 35-40-G (241.1)
RS1504	PL 1100V 425A 6P Plug (0) 35-C 40-45-G (241.1)
RS1505	PL 1100V 425A 6P Plug (0) 50-C 45-50-G (241.1)
RS1506	PL 1100V 425A 6P Plug (0) 70-C 50-55-G (241.1)
RS1507	PL 1100V 425A 6P Plug (0) 95-C 55-60-G (241.1)
RS1508	PL 1100V 425A 6P Plug (0) 120-C 60-65-G (241.1)
RS1509	PL 1100V 425A 6P Plug (0) 150-C 65-70-G (241.1)
RS1510	PL 1100V 425A 6P Plug (0) 185-C 70-75-G (241.1)
RS1511	PL 1100V 425A 6P Receptacle (180) 16-C
RS1511QR	PL QR 1100V 425A 6P Receptacle (180) 16-C
RS1512	PL 1100V 425A 6P Receptacle (180) 25-C
RS1512QR	PL QR 1100V 425A 6P Receptacle (180) 25-C
RS1513	PL 1100V 425A 6P Receptacle (180) 35-C
RS1513QR	PL QR 1100V 425A 6P Receptacle (180) 35-C
RS1514	PL 1100V 425A 6P Receptacle (180) 50-C
RS1514QR	PL QR 1100V 425A 6P Receptacle (180) 50-C
RS1515	PL 1100V 425A 6P Receptacle (180) 70-C
RS1515QR	PL QR 1100V 425A 6P Receptacle (180) 70-C
RS1516	PL 1100V 425A 6P Receptacle (180) 95-C
RS1516QR	PL QR 1100V 425A 6P Receptacle (180) 95-C
RS1517	PL 1100V 425A 6P Receptacle (180) 120-C
RS1517QR	PL QR 1100V 425A 6P Receptacle (180) 120-C
RS1518	PL 1100V 425A 6P Receptacle (180) 150-C
RS1518QR	PL QR 1100V 425A 6P Receptacle (180) 150-C
RS1519	PL 1100V 425A 6P Receptacle (180) 185-C
RS1519QR	PL QR 1100V 425A 6P Receptacle (180) 185-C
RS1520	PL 3300V 300A 4P Plug (270) 16-C 40-45-G (241.3)
RS1521	PL 3300V 300A 4P Plug (270) 25-C 45-50-G (241.3)
RS1522	PL 3300V 300A 4P Plug (270) 35-C 50-55-G (241.3)
RS1523	PL 3300V 300A 4P Plug (270) 50-C 50-55-G (241.3)
RS1524	PL 3300V 300A 4P Plug (270) 70-C 55-60-G (241.3)
RS1525	PL 3300V 300A 4P Plug (270) 95-C 60-65-G (241.3)
RS1526	PL 3300V 300A 4P Plug (270) 120-C 65-70-G (241.3)
RS1527	PL 3300V 300A 4P Plug (270) 150-C 70-75-G (241.3)
RS1528	PL 3300V 300A 4P Plug (270) 185-C 75-80-G (241.3)

Glossary

Part No	Description
RS1529	PL 3300V 300A 4P Receptacle (270) 16-C
RS1529QR	PL QR 3300V 300A 4P Receptacle (270) 16-C
RS1530	PL 3300V 300A 4P Receptacle (270) 25-C
RS1530QR	PL QR 3300V 300A 4P Receptacle (270) 25-C
RS1531	PL 3300V 300A 4P Receptacle (270) 35-C
RS1531QR	PL QR 3300V 300A 4P Receptacle (270) 35-C
RS1532	PL 3300V 300A 4P Receptacle (270) 50-C
RS1532QR	PL QR 3300V 300A 4P Receptacle (270) 50-C
RS1533	PL 3300V 300A 4P Receptacle (270) 70-C
RS1533QR	PL QR 3300V 300A 4P Receptacle (270) 70-C
RS1534	PL 3300V 300A 4P Receptacle (270) 95-C
RS1534QR	PL QR 3300V 300A 4P Receptacle (270) 95-C
RS1535	PL 3300V 300A 4P Receptacle (270) 120-C
RS1535QR	PL QR 3300V 300A 4P Receptacle (270) 120-C
RS1536	PL 3300V 300A 4P Receptacle (270) 150-C
RS1536QR	PL QR 3300V 300A 4P Receptacle (270) 150-C
RS1537	PL 3300V 300A 4P Receptacle (270) 185-C
RS1537QR	PL QR 3300V 300A 4P Receptacle (270) 185-C
RS1538	PL 3300V 300A 6P Plug (270) 16-C 40-45-G (241.3)
RS1539	PL 3300V 300A 6P Plug (270) 25-C 45-50-G (241.3)
RS1540	PL 3300V 300A 6P Plug (270) 35-C 50-55-G (241.3)
RS1541	PL 3300V 300A 6P Plug (270) 50-C 50-55-G (241.3)
RS1542	PL 3300V 300A 6P Plug (270) 70-C 55-60-G (241.3)
RS1543	PL 3300V 300A 6P Plug (270) 95-C 60-65-G (241.3)
RS1544	PL 3300V 300A 6P Plug (270) 120-C 65-70-G (241.3)
RS1545	PL 3300V 300A 6P Plug (270) 150-C 70-75-G (241.3)
RS1546	PL 3300V 300A 6P Plug (270) 185-C 75-80-G (241.3)
RS1547	PL 3300V 300A 6P Receptacle (270) 16-C
RS1547QR	PL QR 3300V 300A 6P Receptacle (270) 16-C
RS1548	PL 3300V 300A 6P Receptacle (270) 25-C
RS1548QR	PL QR 3300V 300A 6P Receptacle (270) 25-C
RS1549	PL 3300V 300A 6P Receptacle (270) 35-C
RS1549QR	PL QR 3300V 300A 6P Receptacle (270) 35-C
RS1550	PL 3300V 300A 6P Receptacle (270) 50-C
RS1550QR	PL QR 3300V 300A 6P Receptacle (270) 50-C
RS1551	PL 3300V 300A 6P Receptacle (270) 70-C
RS1551QR	PL QR 3300V 300A 6P Receptacle (270) 70-C
RS1552	PL 3300V 300A 6P Receptacle (270) 95-C
RS1552QR	PL QR 3300V 300A 6P Receptacle (270) 95-C
RS1553	PL 3300V 300A 6P Receptacle (270) 120-C
RS1553QR	PL QR 3300V 300A 6P Receptacle (270) 120-C
RS1554	PL 3300V 300A 6P Receptacle (270) 150-C
RS1554QR	PL QR 3300V 300A 6P Receptacle (270) 150-C

Part No	Description
RS1555	PL 3300V 300A 6P Receptacle (270) 185-C
RS1555QR	PL QR 3300V 300A 6P Receptacle (270) 185-C
RS1556	PL 3300V 425A 4P Plug (180) 16-C 40-45-G (241.3)
RS1557	PL 3300V 425A 4P Plug (180) 25-C 45-50-G (241.3)
RS1558	PL 3300V 425A 4P Plug (180) 35-C 50-55-G (241.3)
RS1559	PL 3300V 425A 4P Plug (180) 50-C 50-55-G (241.3)
RS1560	PL 3300V 425A 4P Plug (180) 70-C 55-60-G (241.3)
RS1561	PL 3300V 425A 4P Plug (180) 95-C 60-65-G (241.3)
RS1562	PL 3300V 425A 4P Plug (180) 120-C 65-70-G (241.3)
RS1563	PL 3300V 425A 4P Plug (180) 150-C 70-75-G (241.3)
RS1564	PL 3300V 425A 4P Plug (180) 185-C 75-80-G (241.3)
RS1565	PL 3300V 425A 4P Receptacle (0) 16-C
RS1565QR	PL QR 3300V 425A 4P Receptacle (0) 16-C
RS1566	PL 3300V 425A 4P Receptacle (0) 25-C
RS1566QR	PL QR 3300V 425A 4P Receptacle (0) 25-C
RS1567	PL 3300V 425A 4P Receptacle (0) 35-C
RS1567QR	PL QR 3300V 425A 4P Receptacle (0) 35-C
RS1568	PL 3300V 425A 4P Receptacle (0) 50-C
RS1568QR	PL QR 3300V 425A 4P Receptacle (0) 50-C
RS1569	PL 3300V 425A 4P Receptacle (0) 70-C
RS1569QR	PL QR 3300V 425A 4P Receptacle (0) 70-C
RS1570	PL 3300V 425A 4P Receptacle (0) 95-C
RS1570QR	PL QR 3300V 425A 4P Receptacle (0) 95-C
RS1571	PL 3300V 425A 4P Receptacle (0) 120-C
RS1571QR	PL QR 3300V 425A 4P Receptacle (0) 120-C
RS1572	PL 3300V 425A 4P Receptacle (0) 150-C
RS1572QR	PL QR 3300V 425A 4P Receptacle (0) 150-C
RS1573	PL 3300V 425A 4P Receptacle (0) 185-C
RS1573QR	PL QR 3300V 425A 4P Receptacle (0) 185-C
RS1574	PL 3300V 425A 6P Plug (180) 16-C 40-45-G (241.3)
RS1575	PL 3300V 425A 6P Plug (180) 25-C 45-50-G (241.3)
RS1576	PL 3300V 425A 6P Plug (180) 35-C 50-55-G (241.3)
RS1577	PL 3300V 425A 6P Plug (180) 50-C 50-55-G (241.3)
RS1578	PL 3300V 425A 6P Plug (180) 70-C 55-60-G (241.3)
RS1579	PL 3300V 425A 6P Plug (180) 95-C 60-65-G (241.3)
RS1580	PL 3300V 425A 6P Plug (180) 120-C 65-70-G (241.3)
RS1581	PL 3300V 425A 6P Plug (180) 150-C 70-75-G (241.3)
RS1582	PL 3300V 425A 6P Plug (180) 185-C 75-80-G (241.3)
RS1583	PL 3300V 425A 6P Receptacle (0) 16-C
RS1583QR	PL QR 3300V 425A 6P Receptacle (0) 16-C
RS1584	PL 3300V 425A 6P Receptacle (0) 25-C
RS1584QR	PL QR 3300V 425A 6P Receptacle (0) 25-C
RS1585	PL 3300V 425A 6P Receptacle (0) 35-C

Glossary

Part No	Description
RS1585QR	PL QR 3300V 425A 6P Receptacle (0) 35-C
RS1586	PL 3300V 425A 6P Receptacle (0) 50-C
RS1586QR	PL QR 3300V 425A 6P Receptacle (0) 50-C
RS1587	PL 3300V 425A 6P Receptacle (0) 70-C
RS1587QR	PL QR 3300V 425A 6P Receptacle (0) 70-C
RS1588	PL 3300V 425A 6P Receptacle (0) 95-C
RS1588QR	PL QR 3300V 425A 6P Receptacle (0) 95-C
RS1589	PL 3300V 425A 6P Receptacle (0) 120-C
RS1589QR	PL QR 3300V 425A 6P Receptacle (0) 120-C
RS1590	PL 3300V 425A 6P Receptacle (0) 150-C
RS1590QR	PL QR 3300V 425A 6P Receptacle (0) 150-C
RS1591	PL 3300V 425A 6P Receptacle (0) 185-C
RS1591QR	PL QR 3300V 425A 6P Receptacle (0) 185-C
RS1618	PL Comp Ring Kit 30-35mm
RS1619	PL Comp Ring Kit 35-40mm
RS1620	PL Comp Ring Kit 40-45mm
RS1621	PL Comp Ring Kit 45-50mm
RS1622	PL Comp Ring Kit 50-55mm
RS1623	PL Comp Ring Kit 55-60mm
RS1624	PL Comp Ring Kit 60-65mm
RS1625	PL Comp Ring Kit 65-70mm
RS1626	PL Comp Ring Kit 70-75mm
RS1627	PL Comp Ring Kit 75-80mm
RS1759	PL 660V 300A 4P Plug Orange Body Kit
RS1760	PL 660V 425A 4P Plug Orange wW Body Kit
RS1761	PL 1100V 300A 4P Plug Blue Body Kit
RS1762	PL 1100V 425A 4P Plug Blue wW Body Kit
RS1763	PL 1100V 300A 6P Plug Blue Body Kit wSLOT
RS1764	PL 1100V 425A 6P Plug Blue wW Body Kit wSLOT
RS1765	PL 3300V 300A 4P Plug Red Body Kit
RS1766	PL 3300V 425A 4P Plug Red wW Body Kit wSLOT
RS1767	PL RECEP Black Protective Bung
RS1902	PL 3300V 300A 6P Plug Red Body Kit wSLOT
RS1903	PL 3300V 425A 6P Plug Red wW Body Kit wSLOT
RS1904	PL 660V 300A 4P RECEP Orange Body Kit
RS1904QR	PL QR 660V 300A 4P RECEP Orange Body Kit
RS1905	PL 660V 425A 4P RECEP Orange wW Body Kit
RS1905QR	PL QR 660V 425A 4P RECEP Orange wW Body Kit
RS1906	PL 1100V 300A 4P RECEP Blue Body Kit
RS1906QR	PL QR 1100V 300A 4P RECEP Blue Body Kit
RS1907	PL 1100V 425A 4P RECEP Blue wW Body Kit
RS1907QR	PL QR 1100V 425A 4P RECEP Blue wW Body Kit
RS1908	PL 1100V 300A 6P RECEP Blue Body Kit

Part No	Description
RS1908QR	PL QR 1100V 300A 6P RECEP Blue Body Kit
RS1909	PL 1100V 425A 6P RECEP Blue wW Body Kit
RS1909QR	PL QR 1100V 425A 6P RECEP Blue wW Body Kit
RS1910	PL 3300V 300A 4P RECEP Red Body Kit
RS1910QR	PL QR 3300V 300A 4P RECEP Red Body Kit
RS1911	PL 3300V 425A 4P RECEP Red wW Body Kit
RS1911QR	PL QR 3300V 425A 4P RECEP Red wW Body Kit
RS1912	PL 3300V 300A 6P RECEP Red Body Kit
RS1912QR	PL QR 3300V 300A 6P RECEP Red Body Kit
RS1913	PL 3300V 425A 6P RECEP Red wW Body Kit
RS1913QR	PL QR 3300V 425A 6P RECEP Red wW Body Kit
RS1914	PL 4P Plug Cage KIT
RS1915	PL 6P Plug Cage KIT
RS1916	PL 4P Rec Cage KIT
RS1917	PL 6P Rec Cage KIT
RS1924	PL 19 / 25 Crimp & Insul Set 4P 185 mm ²
RS1925	PL 19 / 25 Crimp & Insul Set 4P 150 mm ²
RS1926	PL 19 / 25 Crimp & Insul Set 4P 120 mm ²
RS1927	PL 19 / 25 Crimp & Insul Set 4P 95 mm ²
RS1928	PL 19 / 25 Crimp & Insul Set 4P 70 mm ²
RS1929	PL 19 / 25 Crimp & Insul Set 4P 50 mm ²
RS1930	PL 19 / 25 Crimp & Insul Set 4P 35 mm ²
RS1931	PL 19 / 25 Crimp & Insul Set 4P 25 mm ²
RS1932	PL 19 / 25 Crimp & Insul Set 4P 16 mm ²
RS1933	PL 16 / 25 Crimp & Insul Set 4P 16 mm ²
RS1934	PL 16 / 25 Crimp & Insul Set 4P 25 mm ²
RS1935	PL 16 / 25 Crimp & Insul Set 4P 35 mm ²
RS1936	PL 16 / 25 Crimp & Insul Set 4P 50 mm ²
RS1937	PL 16 / 25 Crimp & Insul Set 4P 70 mm ²
RS1938	PL 16 / 25 Crimp & Insul Set 4P 95 mm ²
RS1939	PL 16 / 25 Crimp & Insul Set 4P 120 mm ²
RS1940	PL 16 / 25 Crimp & Insul Set 4P 150 mm ²
RS1941	PL 16 / 25 Crimp & Insul Set 4P 185 mm ²
RS1942	PL 12 / 25 Crimp & Insul Set 6P 16 mm ²
RS1943	PL 12 / 25 Crimp & Insul Set 6P 25 mm ²
RS1944	PL 12 / 25 Crimp & Insul Set 6P 35 mm ²
RS1945	PL 12 / 25 Crimp & Insul Set 6P 50 mm ²
RS1946	PL 12 / 25 Crimp & Insul Set 6P 70 mm ²
RS1947	PL 12 / 25 Crimp & Insul Set 6P 95 mm ²
RS1948	PL 12 / 25 Crimp & Insul Set 6P 120 mm ²
RS1949	PL 12 / 25 Crimp & Insul Set 6P 150 mm ²
RS1950	PL 12 / 25 Crimp & Insul Set 6P 185 mm ²
RS1951	PL 16 / 25 Crimp & Insul Set 6P 16 mm ²

Glossary

Part No	Description
RS1952	PL 16 / 25 Crimp & Insul Set 6P 25 mm ²
RS1953	PL 16 / 25 Crimp & Insul Set 6P 35 mm ²
RS1954	PL 16 / 25 Crimp & Insul Set 6P 50 mm ²
RS1955	PL 16 / 25 Crimp & Insul Set 6P 70 mm ²
RS1956	PL 16 / 25 Crimp & Insul Set 6P 95 mm ²
RS1957	PL 16 / 25 Crimp & Insul Set 6P 120 mm ²
RS1958	PL 16 / 25 Crimp & Insul Set 6P 150 mm ²
RS1959	PL 16 / 25 Crimp & Insul Set 6P 185 mm ²
RS1960	PL 12 / 25 Crimp & Insul Set 4P 16 mm ²
RS1961	PL 12 / 25 Crimp & Insul Set 4P 25 mm ²
RS1962	PL 12 / 25 Crimp & Insul Set 4P 35 mm ²
RS1963	PL 12 / 25 Crimp & Insul Set 4P 50 mm ²
RS1964	PL 12 / 25 Crimp & Insul Set 4P 70 mm ²
RS1965	PL 12 / 25 Crimp & Insul Set 4P 95 mm ²
RS1966	PL 12 / 25 Crimp & Insul Set 4P 120 mm ²
RS1967	PL 12 / 25 Crimp & Insul Set 4P 150 mm ²
RS1968	PL 12 / 25 Crimp & Insul Set 4P 185 mm ²
RS1970	PL 660V 300A 4P Plug Orange FLP Removable Body
RS1971	PL 660V 425A 4P Plug Orange wW FLP Removable Body
RS1973	PL 1100V 300A 4P Plug Blue FLP Removable Body
RS1974	PL 1100V 425A 4P Plug Blue wW FLP Removable Body
RS1975	PL 1100V 300A 6P Plug Blue FLP Removable Body wSLOT
RS1976	PL 1100V 425A 6P Plug Blue wW FLP Removable Body
RS1977	PL 3300V 300A 4P Plug Red FLP Removable Body
RS1978	PL 3300V 425A 4P Plug Red wW FLP Removable Body
RS1979	PL 3300V 300A 6P Plug Red FLP Removable Body
RS1980	PL 3300V 425A 6P Plug Red wW FLP Removable Body
RS1989	PL 19 \ 78 Contact Pin & Insul Set 4P 16 mm ²
RS1990	PL 19 \ 78 Contact Pin & Insul Set 4P 25 mm ²
RS1991	PL 19 \ 78 Contact Pin & Insul Set 4P 35 mm ²
RS1992	PL 19 \ 78 Contact Pin & Insul Set 4P 50 mm ²
RS1993	PL 19 \ 78 Contact Pin & Insul Set 4P 70 mm ²
RS1994	PL 19 \ 78 Contact Pin & Insul Set 4P 95 mm ²
RS1995	PL 19 \ 78 Contact Pin & Insul Set 4P 120 mm ²
RS1996	PL 19 \ 78 Contact Pin & Insul Set 4P 150 mm ²
RS1997	PL 19 \ 78 Contact Pin & Insul Set 4P 185 mm ²
RS1998	PL 16 \ 78 Contact Pin & Insul Set 4P 16 mm ²
RS1999	PL 16 \ 78 Contact Pin & Insul Set 4P 25 mm ²
RS2081	PL 16 \ 78 Contact Pin & Insul Set 4P 35 mm ²
RS2082	PL 16 \ 78 Contact Pin & Insul Set 4P 50 mm ²
RS2083	PL 16 \ 78 Contact Pin & Insul Set 4P 70 mm ²
RS2084	PL 16 \ 78 Contact Pin & Insul Set 4P 95 mm ²
RS2085	PL 16 \ 78 Contact Pin & Insul Set 4P 120 mm ²

Part No	Description
RS2086	PL 16 \ 78 Contact Pin & Insul Set 4P 150 mm ²
RS2087	PL 16 \ 78 Contact Pin & Insul Set 4P 185 mm ²
RS2088	PL 12 \ 106 Contact Pin & Insul Set 6P 16 mm ²
RS2089	PL 12 \ 106 Contact Pin & Insul Set 6P 25 mm ²
RS2090	PL 12 \ 106 Contact Pin & Insul Set 6P 35 mm ²
RS2091	PL 12 \ 106 Contact Pin & Insul Set 6P 50 mm ²
RS2092	PL 12 \ 106 Contact Pin & Insul Set 6P 70 mm ²
RS2093	PL 12 \ 106 Contact Pin & Insul Set 6P 95 mm ²
RS2094	PL 12 \ 106 Contact Pin & Insul Set 6P 120 mm ²
RS2095	PL 12 \ 106 Contact Pin & Insul Set 6P 150 mm ²
RS2096	PL 12 \ 106 Contact Pin & Insul Set 6P 185 mm ²
RS2097	PL 16 \ 106 Contact Pin & Insul Set 6P 16 mm ²
RS2098	PL 16 \ 106 Contact Pin & Insul Set 6P 25 mm ²
RS2099	PL 16 \ 106 Contact Pin & Insul Set 6P 35 mm ²
RS2100	PL 16 \ 106 Contact Pin & Insul Set 6P 50 mm ²
RS2101	PL 16 \ 106 Contact Pin & Insul Set 6P 70 mm ²
RS2102	PL 16 \ 106 Contact Pin & Insul Set 6P 95 mm ²
RS2103	PL 16 \ 106 Contact Pin & Insul Set 6P 120 mm ²
RS2104	PL 16 \ 106 Contact Pin & Insul Set 6P 150 mm ²
RS2105	PL 16 \ 106 Contact Pin & Insul Set 6P 185 mm ²
RS2106	PL 12 \ 106 Contact Pin & Insul Set 4P 16 mm ²
RS2107	PL 12 \ 106 Contact Pin & Insul Set 4P 25 mm ²
RS2108	PL 12 \ 106 Contact Pin & Insul Set 4P 35 mm ²
RS2109	PL 12 \ 106 Contact Pin & Insul Set 4P 50 mm ²
RS2110	PL 12 \ 106 Contact Pin & Insul Set 4P 70 mm ²
RS2111	PL 12 \ 106 Contact Pin & Insul Set 4P 95 mm ²
RS2112	PL 12 \ 106 Contact Pin & Insul Set 4P 120 mm ²
RS2113	PL 12 \ 106 Contact Pin & Insul Set 4P 150 mm ²
RS2114	PL 12 \ 106 Contact Pin & Insul Set 4P 185 mm ²
RS2117	PL 16 \ 106 Contact Pin & Insul Set 4P 16 mm ²
RS2118	PL 16 \ 106 Contact Pin & Insul Set 4P 25 mm ²
RS2119	PL 16 \ 106 Contact Pin & Insul Set 4P 35 mm ²
RS2120	PL 16 \ 106 Contact Pin & Insul Set 4P 50 mm ²
RS2121	PL 16 \ 106 Contact Pin & Insul Set 4P 70 mm ²
RS2122	PL 16 \ 106 Contact Pin & Insul Set 4P 95 mm ²
RS2123	PL 16 \ 106 Contact Pin & Insul Set 4P 120 mm ²
RS2124	PL 16 \ 106 Contact Pin & Insul Set 4P 150 mm ²
RS2125	PL 16 \ 106 Contact Pin & Insul Set 4P 185 mm ²
RS2166	PL 660V 300A 4P Plug (270) 16-C 30-35-G (275.1)
RS2167	PL 660V 300A 4P Plug (270) 25-C 30-35-G (275.1)
RS2168	PL 660V 300A 4P Plug (270) 35-C 35-40-G (275.1)
RS2169	PL 660V 300A 4P Plug (270) 50-C 40-45-G (275.1)
RS2170	PL 660V 425A 4P Plug (270) 16-C 30-35-G (275.1)

Glossary

Part No	Description
RS2171	PL 660V 425A 4P Plug (270) 25-C 30-35-G (275.1)
RS2172	PL 660V 425A 4P Plug (270) 35-C 35-40-G (275.1)
RS2173	PL 660V 425A 4P Plug (270) 50-C 40-45-G (275.1)
RS2174	PL 1100V 300A 4P Plug (90) 16-C 30-35-G (275.1)
RS2175	PL 1100V 300A 4P Plug (90) 25-C 30-35-G (275.1)
RS2176	PL 1100V 300A 4P Plug (90) 35-C 35-40-G (275.1)
RS2177	PL 1100V 300A 4P Plug (90) 50-C 40-45-G (275.1)
RS2178	PL 1100V 425A 4P Plug (180) 16-C 30-35-G (275.1)
RS2179	PL 1100V 425A 4P Plug (180) 25-C 30-35-G (275.1)
RS2180	PL 1100V 425A 4P Plug (180) 35-C 35-40-G (275.1)
RS2181	PL 1100V 425A 4P Plug (180) 50-C 40-45-G (275.1)
RS2182	PL 1100V 300A 6P Plug (90) 50-C 45-50-G (245.1)
RS2183	PL 1100V 300A 6P Plug (90) 70-C 50-55-G (245.1)
RS2184	PL 1100V 300A 6P Plug (90) 95-C 55-60-G (245.1)
RS2185	PL 1100V 300A 6P Plug (90) 120-C 65-70-G (245.1)
RS2186	PL 1100V 300A 6P Plug (90) 150-C 70-75-G (245.1)
RS2187	PL 1100V 425A 6P Plug (0) 50-C 45-50-G (245.1)
RS2188	PL 1100V 425A 6P Plug (0) 70-C 50-55-G (245.1)
RS2189	PL 1100V 425A 6P Plug (0) 95-C 55-60-G (245.1)
RS2190	PL 1100V 425A 6P Plug (0) 120-C 65-70-G (245.1)
RS2191	PL 1100V 425A 6P Plug (0) 150-C 70-75-G (245.1)
RS2192	PL 3300V 300A 4P Plug (270) 50-C 55-60-G (245.3)
RS2193	PL 3300V 300A 4P Plug (270) 70-C 60-65-G (245.3)
RS2194	PL 3300V 300A 4P Plug (270) 95-C 65-70-G (245.3)
RS2195	PL 3300V 300A 4P Plug (270) 120-C 70-75-G (245.3)
RS2196	PL 3300V 300A 4P Plug (270) 150-C 75-80-G (245.3)
RS2197	PL 3300V 425A 4P Plug (180) 50-C 55-60-G (245.3)
RS2198	PL 3300V 425A 4P Plug (180) 70-C 60-65-G (245.3)
RS2199	PL 3300V 425A 4P Plug (180) 95-C 65-70-G (245.3)
RS2200	PL 3300V 425A 4P Plug (180) 120-C 70-75-G (245.3)
RS2201	PL 3300V 425A 4P Plug (180) 150-C 75-80-G (245.3)
RS2202	PL 3300V 300A 6P Plug (270) 50-C 55-60-G (245.3)
RS2203	PL 3300V 300A 6P Plug (270) 70-C 60-65-G (245.3)
RS2204	PL 3300V 300A 6P Plug (270) 95-C 65-70-G (245.3)
RS2205	PL 3300V 300A 6P Plug (270) 120-C 70-75-G (245.3)
RS2206	PL 3300V 300A 6P Plug (270) 150-C 75-80-G (245.3)
RS2207	PL 3300V 425A 6P Plug (180) 50-C 55-60-G (245.3)
RS2208	PL 3300V 425A 6P Plug (180) 70-C 60-65-G (245.3)
RS2209	PL 3300V 425A 6P Plug (180) 95-C 65-70-G (245.3)
RS2210	PL 3300V 425A 6P Plug (180) 120-C 70-75-G (245.3)
RS2211	PL 3300V 425A 6P Plug (180) 150-C 75-80-G (245.3)
RS2212	PL Comp Ring Kit 10-15mm
RS2213	PL Comp Ring Kit 15-20mm

Part No	Description
RS2214	PL Comp Ring Kit 20-25mm
RS2215	PL Comp Ring Kit 25-30mm
RS2347	PL 16 / 25 Crimp & Insul Set 4P (3300) 16 mm ²
RS2348	PL 16 / 25 Crimp & Insul Set 4P (3300) 25 mm ²
RS2349	PL 16 / 25 Crimp & Insul Set 4P (3300) 35 mm ²
RS2350	PL 16 / 25 Crimp & Insul Set 4P (3300) 50 mm ²
RS2351	PL 16 / 25 Crimp & Insul Set 4P (3300) 70 mm ²
RS2352	PL 16 / 25 Crimp & Insul Set 4P (3300) 95 mm ²
RS2353	PL 16 / 25 Crimp & Insul Set 4P (3300) 120 mm ²
RS2354	PL 16 / 25 Crimp & Insul Set 4P (3300) 150 mm ²
RS2355	PL 16 / 25 Crimp & Insul Set 4P (3300) 185 mm ²
RS2415	PL B2B 660V 300A 4P Body Kit
RS2415QR	PL B2B QR 660V 300A 4P Body Kit
RS2416	PL B2B 660V 425A 4P Body Kit
RS2416QR	PL B2B QR 660V 425A 4P Body Kit
RS2417	PL B2B 1100V 300A 4P Body Kit
RS2417QR	PL B2B QR 1100V 300A 4P Body Kit
RS2418	PL B2B 1100V 300A 6P Body Kit
RS2418QR	PL B2B QR 1100V 300A 6P Body Kit
RS2419	PL B2B 1100V 425A 6P Body Kit
RS2419QR	PL B2B QR 1100V 425A 6P Body Kit
RS2420	PL B2B 3300V 300A 4P Body Kit
RS2420QR	PL B2B QR 3300V 300A 4P Body Kit
RS2421	PL B2B 3300V 425A 4P Body Kit
RS2421QR	PL B2B QR 3300V 425A 4P Body Kit
RS2422	PL B2B 1100V 425A 4P Body Kit
RS2422QR	PL B2B QR 1100V 425A 4P Body Kit
RS2423	PL B2B 3300V 300A 6P Body Kit
RS2423QR	PL B2B QR 3300V 300A 6P Body Kit
RS2424	PL B2B 3300V 425A 6P Body Kit
RS2424QR	PL B2B QR 3300V 425A 6P Body Kit
RS2437	PL 4P B2B Cage Kit
RS2452	PL 16 / 25 B2B 4P Insulator and Contact Set
RS2453	PL 19 / 25 B2B 4P Insulator and Contact Set
RS2454	PL 12 / 25 B2B 4P Insulator and Contact Set
RS2455	PL 12 / 25 B2B 6P Insulator and Contact Set
RS2462	PL B2B 660V 300A 4P Full Assembly
RS2462QR	PL B2B QR 660V 300A 4P Full Assembly
RS2463	PL B2B 660V 425A 4P Full Assembly
RS2463QR	PL B2B QR 660V 425A 4P Full Assembly
RS2464	PL B2B 1100V 300A 4P Full Assembly
RS2464QR	PL B2B QR 1100V 300A 4P Full Assembly
RS2465	PL B2B 1100V 425A 4P Full Assembly

Glossary

Part No	Description
RS2465QR	PL B2B QR 1100V 425A 4P Full Assembly
RS2466	PL B2B 1100V 300A 6P Full Assembly
RS2466QR	PL B2B QR 1100V 300A 6P Full Assembly
RS2467	PL B2B 1100V 425A 6P Full Assembly
RS2467QR	PL B2B QR 1100V 425A 6P Full Assembly
RS2468	PL B2B 3300V 300A 4P Full Assembly
RS2468QR	PL B2B QR 3300V 300A 4P Full Assembly
RS2469	PL B2B 3300V 425A 4P Full Assembly
RS2469QR	PL B2B QR 3300V 425A 4P Full Assembly
RS2470	PL B2B 3300V 300A 6P Full Assembly
RS2470QR	PL B2B QR 3300V 300A 6P Full Assembly
RS2471	PL B2B 3300V 425A 6P Full Assembly
RS2471QR	PL B2B QR 3300V 425A 6P Full Assembly
RS2510	PL RGB RECEP Gland Bracket Body Kit
RS2511	PL RGM RECEP Gland Mounting Body Kit
RS2512	PL 660V 300A 4P Gland Bracket (270) 16-C 35-40-G (241.1)
RS2512QR	PL QR 660V 300A 4P Gland Bracket (270) 16-C 35-40-G (241.1)
RS2513	PL 660V 300A 4P Gland Bracket (270) 25-C 35-40-G (241.1)
RS2513QR	PL QR 660V 300A 4P Gland Bracket (270) 25-C 35-40-G (241.1)
RS2514	PL 660V 300A 4P Gland Bracket (270) 35-C 40-45-G (241.1)
RS2514QR	PL QR 660V 300A 4P Gland Bracket (270) 35-C 40-45-G (241.1)
RS2515	PL 660V 300A 4P Gland Bracket (270) 50-C 45-50-G (241.1)
RS2515QR	PL QR 660V 300A 4P Gland Bracket (270) 50-C 45-50-G (241.1)
RS2516	PL 660V 300A 4P Gland Bracket (270) 70-C 50-55-G (241.1)
RS2516QR	PL QR 660V 300A 4P Gland Bracket (270) 70-C 50-55-G (241.1)
RS2517	PL 660V 300A 4P Gland Bracket (270) 95-C 55-60-G (241.1)
RS2517QR	PL QR 660V 300A 4P Gland Bracket (270) 95-C 55-60-G (241.1)
RS2518	PL 660V 300A 4P Gland Bracket (270) 120-C 60-65-G (241.1)
RS2518QR	PL QR 660V 300A 4P Gland Bracket (270) 120-C 60-65-G (241.1)
RS2519	PL 660V 300A 4P Gland Bracket (270) 150-C 65-70-G (241.1)
RS2519QR	PL QR 660V 300A 4P Gland Bracket (270) 150-C 65-70-G (241.1)
RS2520	PL 660V 300A 4P Gland Bracket (270) 185-C 70-75-G (241.1)
RS2520QR	PL QR 660V 300A 4P Gland Bracket (270) 185-C 70-75-G (241.1)
RS2521	PL 660V 300A 4P Gland Bracket (270) 16-C 30-35-G (275.1)
RS2521QR	PL QR 660V 300A 4P Gland Bracket (270) 16-C 30-35-G (275.1)
RS2522	PL 660V 300A 4P Gland Bracket (270) 25-C 30-35-G (275.1)
RS2522QR	PL QR 660V 300A 4P Gland Bracket (270) 25-C 30-35-G (275.1)
RS2523	PL 660V 300A 4P Gland Bracket (270) 35-C 35-40-G (275.1)
RS2523QR	PL QR 660V 300A 4P Gland Bracket (270) 35-C 35-40-G (275.1)
RS2524	PL 660V 300A 4P Gland Bracket (270) 50-C 40-45-G (275.1)
RS2524QR	PL QR 660V 300A 4P Gland Bracket (270) 50-C 40-45-G (275.1)
RS2525	PL 660V 425A 4P Gland Bracket (0) 16-C 35-40-G (241.1)
RS2525QR	PL QR 660V 425A 4P Gland Bracket (0) 16-C 35-40-G (241.1)

Part No	Description
RS2526	PL 660V 425A 4P Gland Bracket (0) 25-C 35-40-G (241.1)
RS2526QR	PL QR 660V 425A 4P Gland Bracket (0) 25-C 35-40-G (241.1)
RS2527	PL 660V 425A 4P Gland Bracket (0) 35-C 40-45-G (241.1)
RS2527QR	PL QR 660V 425A 4P Gland Bracket (0) 35-C 40-45-G (241.1)
RS2528	PL 660V 425A 4P Gland Bracket (0) 50-C 45-50-G (241.1)
RS2528QR	PL QR 660V 425A 4P Gland Bracket (0) 50-C 45-50-G (241.1)
RS2529	PL 660V 425A 4P Gland Bracket (0) 70-C 50-55-G (241.1)
RS2529QR	PL QR 660V 425A 4P Gland Bracket (0) 70-C 50-55-G (241.1)
RS2530	PL 660V 425A 4P Gland Bracket (0) 95-C 55-60-G (241.1)
RS2530QR	PL QR 660V 425A 4P Gland Bracket (0) 95-C 55-60-G (241.1)
RS2531	PL 660V 425A 4P Gland Bracket (0) 120-C 60-65-G (241.1)
RS2531QR	PL QR 660V 425A 4P Gland Bracket (0) 120-C 60-65-G (241.1)
RS2532	PL 660V 425A 4P Gland Bracket (0) 150-C 65-70-G (241.1)
RS2532QR	PL QR 660V 425A 4P Gland Bracket (0) 150-C 65-70-G (241.1)
RS2533	PL 660V 425A 4P Gland Bracket (0) 185-C 70-75-G (241.1)
RS2533QR	PL QR 660V 425A 4P Gland Bracket (0) 185-C 70-75-G (241.1)
RS2534	PL 660V 425A 4P Gland Bracket (0) 16-C 30-35-G (275.1)
RS2534QR	PL QR 660V 425A 4P Gland Bracket (0) 16-C 30-35-G (275.1)
RS2535	PL 660V 425A 4P Gland Bracket (0) 25-C 30-35-G (275.1)
RS2535QR	PL QR 660V 425A 4P Gland Bracket (0) 25-C 30-35-G (275.1)
RS2536	PL 660V 425A 4P Gland Bracket (0) 35-C 35-40-G (275.1)
RS2536QR	PL QR 660V 425A 4P Gland Bracket (0) 35-C 35-40-G (275.1)
RS2537	PL 660V 425A 4P Gland Bracket (0) 50-C 40-45-G (275.1)
RS2537QR	PL QR 660V 425A 4P Gland Bracket (0) 50-C 40-45-G (275.1)
RS2538	PL 1100V 300A 4P Gland Bracket (90) 16-C 35-40-G (241.1)
RS2538QR	PL QR 1100V 300A 4P Gland Bracket (90) 16-C 35-40-G (241.1)
RS2539	PL 1100V 300A 4P Gland Bracket (90) 25-C 35-40-G (241.1)
RS2539QR	PL QR 1100V 300A 4P Gland Bracket (90) 25-C 35-40-G (241.1)
RS2540	PL 1100V 300A 4P Gland Bracket (90) 35-C 40-45-G (241.1)
RS2540QR	PL QR 1100V 300A 4P Gland Bracket (90) 35-C 40-45-G (241.1)
RS2541	PL 1100V 300A 4P Gland Bracket (90) 50-C 45-50-G (241.1)
RS2541QR	PL QR 1100V 300A 4P Gland Bracket (90) 50-C 45-50-G (241.1)
RS2542	PL 1100V 300A 4P Gland Bracket (90) 70-C 50-55-G (241.1)
RS2542QR	PL QR 1100V 300A 4P Gland Bracket (90) 70-C 50-55-G (241.1)
RS2543	PL 1100V 300A 4P Gland Bracket (90) 95-C 55-60-G (241.1)
RS2543QR	PL QR 1100V 300A 4P Gland Bracket (90) 95-C 55-60-G (241.1)
RS2544	PL 1100V 300A 4P Gland Bracket (90) 120-C 60-65-G (241.1)
RS2544QR	PL QR 1100V 300A 4P Gland Bracket (90) 120-C 60-65-G (241.1)
RS2545	PL 1100V 300A 4P Gland Bracket (90) 150-C 65-70-G (241.1)
RS2545QR	PL QR 1100V 300A 4P Gland Bracket (90) 150-C 65-70-G (241.1)
RS2546	PL 1100V 300A 4P Gland Bracket (90) 185-C 70-75-G (241.1)
RS2546QR	PL QR 1100V 300A 4P Gland Bracket (90) 185-C 70-75-G (241.1)
RS2547	PL 1100V 300A 4P Gland Bracket (90) 16-C 30-35-G (275.1)

Glossary

Part No	Description
RS2547QR	PL QR 1100V 300A 4P Gland Bracket (90) 16-C 30-35-G (275.1)
RS2548	PL 1100V 300A 4P Gland Bracket (90) 25-C 30-35-G (275.1)
RS2548QR	PL QR 1100V 300A 4P Gland Bracket (90) 25-C 30-35-G (275.1)
RS2549	PL 1100V 300A 4P Gland Bracket (90) 35-C 35-40-G (275.1)
RS2549QR	PL QR 1100V 300A 4P Gland Bracket (90) 35-C 35-40-G (275.1)
RS2550	PL 1100V 300A 4P Gland Bracket (90) 50-C 40-45-G (275.1)
RS2550QR	PL QR 1100V 300A 4P Gland Bracket (90) 50-C 40-45-G (275.1)
RS2551	PL 1100V 300A 6P Gland Bracket (90) 16-C 35-40-G (241.1)
RS2551QR	PL QR 1100V 300A 6P Gland Bracket (90) 16-C 35-40-G (241.1)
RS2552	PL 1100V 300A 6P Gland Bracket (90) 25-C 35-40-G (241.1)
RS2552QR	PL QR 1100V 300A 6P Gland Bracket (90) 25-C 35-40-G (241.1)
RS2553	PL 1100V 300A 6P Gland Bracket (90) 35-C 40-45-G (241.1)
RS2553QR	PL QR 1100V 300A 6P Gland Bracket (90) 35-C 40-45-G (241.1)
RS2554	PL 1100V 300A 6P Gland Bracket (90) 50-C 45-50-G (241.1)
RS2554QR	PL QR 1100V 300A 6P Gland Bracket (90) 50-C 45-50-G (241.1)
RS2555	PL 1100V 300A 6P Gland Bracket (90) 70-C 50-55-G (241.1)
RS2555QR	PL QR 1100V 300A 6P Gland Bracket (90) 70-C 50-55-G (241.1)
RS2556	PL 1100V 300A 6P Gland Bracket (90) 95-C 55-60-G (241.1)
RS2556QR	PL QR 1100V 300A 6P Gland Bracket (90) 95-C 55-60-G (241.1)
RS2557	PL 1100V 300A 6P Gland Bracket (90) 120-C 60-65-G (241.1)
RS2557QR	PL QR 1100V 300A 6P Gland Bracket (90) 120-C 60-65-G (241.1)
RS2558	PL 1100V 300A 6P Gland Bracket (90) 150-C 65-70-G (241.1)
RS2558QR	PL QR 1100V 300A 6P Gland Bracket (90) 150-C 65-70-G (241.1)
RS2559	PL 1100V 300A 6P Gland Bracket (90) 185-C 70-75-G (241.1)
RS2559QR	PL QR 1100V 300A 6P Gland Bracket (90) 185-C 70-75-G (241.1)
RS2560	PL 1100V 300A 6P Gland Bracket (90) 50-C 45-50-G (245.1)
RS2560QR	PL QR 1100V 300A 6P Gland Bracket (90) 50-C 45-50-G (245.1)
RS2561	PL 1100V 300A 6P Gland Bracket (90) 70-C 50-55-G (245.1)
RS2561QR	PL QR 1100V 300A 6P Gland Bracket (90) 70-C 50-55-G (245.1)
RS2562	PL 1100V 300A 6P Gland Bracket (90) 95-C 55-60-G (245.1)
RS2562QR	PL QR 1100V 300A 6P Gland Bracket (90) 95-C 55-60-G (245.1)
RS2563	PL 1100V 300A 6P Gland Bracket (90) 120-C 65-70-G (245.1)
RS2563QR	PL QR 1100V 300A 6P Gland Bracket (90) 120-C 65-70-G (245.1)
RS2564	PL 1100V 300A 6P Gland Bracket (90) 150-C 70-75-G (245.1)
RS2564QR	PL QR 1100V 300A 6P Gland Bracket (90) 150-C 70-75-G (245.1)
RS2565	PL 1100V 425A 4P Gland Bracket (180) 16-C 35-40-G (241.1)
RS2565QR	PL QR 1100V 425A 4P Gland Bracket (180) 16-C 35-40-G (241.1)
RS2566	PL 1100V 425A 4P Gland Bracket (180) 25-C 35-40-G (241.1)
RS2566QR	PL QR 1100V 425A 4P Gland Bracket (180) 25-C 35-40-G (241.1)
RS2567	PL 1100V 425A 4P Gland Bracket (180) 35-C 40-45-G (241.1)
RS2567QR	PL QR 1100V 425A 4P Gland Bracket (180) 35-C 40-45-G (241.1)
RS2568	PL 1100V 425A 4P Gland Bracket (180) 50-C 45-50-G (241.1)
RS2568QR	PL QR 1100V 425A 4P Gland Bracket (180) 50-C 45-50-G (241.1)

Part No	Description
RS2569	PL 1100V 425A 4P Gland Bracket (180) 70-C 50-55-G (241.1)
RS2569QR	PL QR 1100V 425A 4P Gland Bracket (180) 70-C 50-55-G (241.1)
RS2570	PL 1100V 425A 4P Gland Bracket (180) 95-C 55-60-G (241.1)
RS2570QR	PL QR 1100V 425A 4P Gland Bracket (180) 95-C 55-60-G (241.1)
RS2571	PL 1100V 425A 4P Gland Bracket (180) 120-C 60-65-G (241.1)
RS2571QR	PL QR 1100V 425A 4P Gland Bracket (180) 120-C 60-65-G (241.1)
RS2572	PL 1100V 425A 4P Gland Bracket (180) 150-C 65-70-G (241.1)
RS2572QR	PL QR 1100V 425A 4P Gland Bracket (180) 150-C 65-70-G (241.1)
RS2573	PL 1100V 425A 4P Gland Bracket (180) 185-C 70-75-G (241.1)
RS2573QR	PL QR 1100V 425A 4P Gland Bracket (180) 185-C 70-75-G (241.1)
RS2574	PL 1100V 425A 4P Gland Bracket (180) 16-C 30-35-G (275.1)
RS2574QR	PL QR 1100V 425A 4P Gland Bracket (180) 16-C 30-35-G (275.1)
RS2575	PL 1100V 425A 4P Gland Bracket (180) 25-C 30-35-G (275.1)
RS2575QR	PL QR 1100V 425A 4P Gland Bracket (180) 25-C 30-35-G (275.1)
RS2576	PL 1100V 425A 4P Gland Bracket (180) 35-C 35-40-G (275.1)
RS2576QR	PL QR 1100V 425A 4P Gland Bracket (180) 35-C 35-40-G (275.1)
RS2577	PL 1100V 425A 4P Gland Bracket (180) 50-C 40-45-G (275.1)
RS2577QR	PL QR 1100V 425A 4P Gland Bracket (180) 50-C 40-45-G (275.1)
RS2578	PL 1100V 425A 6P Gland Bracket (0) 16-C 35-40-G (241.1)
RS2578QR	PL QR 1100V 425A 6P Gland Bracket (0) 16-C 35-40-G (241.1)
RS2579	PL 1100V 425A 6P Gland Bracket (0) 25-C 35-40-G (241.1)
RS2579QR	PL QR 1100V 425A 6P Gland Bracket (0) 25-C 35-40-G (241.1)
RS2580	PL 1100V 425A 6P Gland Bracket (0) 35-C 40-45-G (241.1)
RS2580QR	PL QR 1100V 425A 6P Gland Bracket (0) 35-C 40-45-G (241.1)
RS2581	PL 1100V 425A 6P Gland Bracket (0) 50-C 45-50-G (241.1)
RS2581QR	PL QR 1100V 425A 6P Gland Bracket (0) 50-C 45-50-G (241.1)
RS2582	PL 1100V 425A 6P Gland Bracket (0) 70-C 50-55-G (241.1)
RS2582QR	PL QR 1100V 425A 6P Gland Bracket (0) 70-C 50-55-G (241.1)
RS2583	PL 1100V 425A 6P Gland Bracket (0) 95-C 55-60-G (241.1)
RS2583QR	PL QR 1100V 425A 6P Gland Bracket (0) 95-C 55-60-G (241.1)
RS2584	PL 1100V 425A 6P Gland Bracket (0) 120-C 60-65-G (241.1)
RS2584QR	PL QR 1100V 425A 6P Gland Bracket (0) 120-C 60-65-G (241.1)
RS2585	PL 1100V 425A 6P Gland Bracket (0) 150-C 65-70-G (241.1)
RS2585QR	PL QR 1100V 425A 6P Gland Bracket (0) 150-C 65-70-G (241.1)
RS2586	PL 1100V 425A 6P Gland Bracket (0) 185-C 70-75-G (241.1)
RS2586QR	PL QR 1100V 425A 6P Gland Bracket (0) 185-C 70-75-G (241.1)
RS2587	PL 1100V 425A 6P Gland Bracket (0) 50-C 45-50-G (245.1)
RS2587QR	PL QR 1100V 425A 6P Gland Bracket (0) 50-C 45-50-G (245.1)
RS2588	PL 1100V 425A 6P Gland Bracket (0) 70-C 50-55-G (245.1)
RS2588QR	PL QR 1100V 425A 6P Gland Bracket (0) 70-C 50-55-G (245.1)
RS2589	PL 1100V 425A 6P Gland Bracket (0) 95-C 55-60-G (245.1)
RS2589QR	PL QR 1100V 425A 6P Gland Bracket (0) 95-C 55-60-G (245.1)
RS2590	PL 1100V 425A 6P Gland Bracket (0) 120-C 65-70-G (245.1)

Glossary

Part No	Description
RS2590QR	PL QR 1100V 425A 6P Gland Bracket (0) 120-C 65-70-G (245.1)
RS2591	PL 1100V 425A 6P Gland Bracket (0) 150-C 70-75-G (245.1)
RS2591QR	PL QR 1100V 425A 6P Gland Bracket (0) 150-C 70-75-G (245.1)
RS2592	PL 3300V 300A 4P Gland Bracket (270) 16-C 40-45-G (241.3)
RS2592QR	PL QR 3300V 300A 4P Gland Bracket (270) 16-C 40-45-G (241.3)
RS2593	PL 3300V 300A 4P Gland Bracket (270) 25-C 45-50-G (241.3)
RS2593QR	PL QR 3300V 300A 4P Gland Bracket (270) 25-C 45-50-G (241.3)
RS2594	PL 3300V 300A 4P Gland Bracket (270) 35-C 50-55-G (241.3)
RS2594QR	PL QR 3300V 300A 4P Gland Bracket (270) 35-C 50-55-G (241.3)
RS2595	PL 3300V 300A 4P Gland Bracket (270) 50-C 50-55-G (241.3)
RS2595QR	PL QR 3300V 300A 4P Gland Bracket (270) 50-C 50-55-G (241.3)
RS2596	PL 3300V 300A 4P Gland Bracket (270) 70-C 55-60-G (241.3)
RS2596QR	PL QR 3300V 300A 4P Gland Bracket (270) 70-C 55-60-G (241.3)
RS2597	PL 3300V 300A 4P Gland Bracket (270) 95-C 60-65-G (241.3)
RS2597QR	PL QR 3300V 300A 4P Gland Bracket (270) 95-C 60-65-G (241.3)
RS2598	PL 3300V 300A 4P Gland Bracket (270) 120-C 65-70-G (241.3)
RS2598QR	PL QR 3300V 300A 4P Gland Bracket (270) 120-C 65-70-G (241.3)
RS2599	PL 3300V 300A 4P Gland Bracket (270) 150-C 70-75-G (241.3)
RS2599QR	PL QR 3300V 300A 4P Gland Bracket (270) 150-C 70-75-G (241.3)
RS2600	PL 3300V 300A 4P Gland Bracket (270) 185-C 75-80-G (241.3)
RS2600QR	PL QR 3300V 300A 4P Gland Bracket (270) 185-C 75-80-G (241.3)
RS2601	PL 3300V 300A 4P Gland Bracket (270) 50-C 55-60-G (245.3)
RS2601QR	PL QR 3300V 300A 4P Gland Bracket (270) 50-C 55-60-G (245.3)
RS2602	PL 3300V 300A 4P Gland Bracket (270) 70-C 60-65-G (245.3)
RS2602QR	PL QR 3300V 300A 4P Gland Bracket (270) 70-C 60-65-G (245.3)
RS2603	PL 3300V 300A 4P Gland Bracket (270) 95-C 65-70-G (245.3)
RS2603QR	PL QR 3300V 300A 4P Gland Bracket (270) 95-C 65-70-G (245.3)
RS2604	PL 3300V 300A 4P Gland Bracket (270) 120-C 70-75-G (245.3)
RS2604QR	PL QR 3300V 300A 4P Gland Bracket (270) 120-C 70-75-G (245.3)
RS2605	PL 3300V 300A 4P Gland Bracket (270) 150-C 75-80-G (245.3)
RS2605QR	PL QR 3300V 300A 4P Gland Bracket (270) 150-C 75-80-G (245.3)
RS2606	PL 3300V 300A 6P Gland Bracket (270) 16-C 40-45-G (241.3)
RS2606QR	PL QR 3300V 300A 6P Gland Bracket (270) 16-C 40-45-G (241.3)
RS2607	PL 3300V 300A 6P Gland Bracket (270) 25-C 45-50-G (241.3)
RS2607QR	PL QR 3300V 300A 6P Gland Bracket (270) 25-C 45-50-G (241.3)
RS2608	PL 3300V 300A 6P Gland Bracket (270) 35-C 50-55-G (241.3)
RS2608QR	PL QR 3300V 300A 6P Gland Bracket (270) 35-C 50-55-G (241.3)
RS2609	PL 3300V 300A 6P Gland Bracket (270) 50-C 50-55-G (241.3)
RS2609QR	PL QR 3300V 300A 6P Gland Bracket (270) 50-C 50-55-G (241.3)
RS2610	PL 3300V 300A 6P Gland Bracket (270) 70-C 55-60-G (241.3)
RS2610QR	PL QR 3300V 300A 6P Gland Bracket (270) 70-C 55-60-G (241.3)
RS2611	PL 3300V 300A 6P Gland Bracket (270) 95-C 60-65-G (241.3)
RS2611QR	PL QR 3300V 300A 6P Gland Bracket (270) 95-C 60-65-G (241.3)

Part No	Description
RS2612	PL 3300V 300A 6P Gland Bracket (270) 120-C 65-70-G (241.3)
RS2612QR	PL QR 3300V 300A 6P Gland Bracket (270) 120-C 65-70-G (241.3)
RS2613	PL 3300V 300A 6P Gland Bracket (270) 150-C 70-75-G (241.3)
RS2613QR	PL QR 3300V 300A 6P Gland Bracket (270) 150-C 70-75-G (241.3)
RS2614	PL 3300V 300A 6P Gland Bracket (270) 185-C 75-80-G (241.3)
RS2614QR	PL QR 3300V 300A 6P Gland Bracket (270) 185-C 75-80-G (241.3)
RS2615	PL 3300V 300A 6P Gland Bracket (270) 50-C 55-60-G (245.3)
RS2615QR	PL QR 3300V 300A 6P Gland Bracket (270) 50-C 55-60-G (245.3)
RS2616	PL 3300V 300A 6P Gland Bracket (270) 70-C 60-65-G (245.3)
RS2616QR	PL QR 3300V 300A 6P Gland Bracket (270) 70-C 60-65-G (245.3)
RS2617	PL 3300V 300A 6P Gland Bracket (270) 95-C 65-70-G (245.3)
RS2617QR	PL QR 3300V 300A 6P Gland Bracket (270) 95-C 65-70-G (245.3)
RS2618	PL 3300V 300A 6P Gland Bracket (270) 120-C 70-75-G (245.3)
RS2618QR	PL QR 3300V 300A 6P Gland Bracket (270) 120-C 70-75-G (245.3)
RS2619	PL 3300V 300A 6P Gland Bracket (270) 150-C 75-80-G (245.3)
RS2619QR	PL QR 3300V 300A 6P Gland Bracket (270) 150-C 75-80-G (245.3)
RS2620	PL 3300V 425A 4P Gland Bracket (180) 16-C 40-45-G (241.3)
RS2620QR	PL QR 3300V 425A 4P Gland Bracket (180) 16-C 40-45-G (241.3)
RS2621	PL 3300V 425A 4P Gland Bracket (180) 25-C 45-50-G (241.3)
RS2621QR	PL QR 3300V 425A 4P Gland Bracket (180) 25-C 45-50-G (241.3)
RS2622	PL 3300V 425A 4P Gland Bracket (180) 35-C 50-55-G (241.3)
RS2622QR	PL QR 3300V 425A 4P Gland Bracket (180) 35-C 50-55-G (241.3)
RS2623	PL 3300V 425A 4P Gland Bracket (180) 50-C 50-55-G (241.3)
RS2623QR	PL QR 3300V 425A 4P Gland Bracket (180) 50-C 50-55-G (241.3)
RS2624	PL 3300V 425A 4P Gland Bracket (180) 70-C 55-60-G (241.3)
RS2624QR	PL QR 3300V 425A 4P Gland Bracket (180) 70-C 55-60-G (241.3)
RS2625	PL 3300V 425A 4P Gland Bracket (180) 95-C 60-65-G (241.3)
RS2625QR	PL QR 3300V 425A 4P Gland Bracket (180) 95-C 60-65-G (241.3)
RS2626	PL 3300V 425A 4P Gland Bracket (180) 120-C 65-70-G (241.3)
RS2626QR	PL QR 3300V 425A 4P Gland Bracket (180) 120-C 65-70-G (241.3)
RS2627	PL 3300V 425A 4P Gland Bracket (180) 150-C 70-75-G (241.3)
RS2627QR	PL QR 3300V 425A 4P Gland Bracket (180) 150-C 70-75-G (241.3)
RS2628	PL 3300V 425A 4P Gland Bracket (180) 185-C 75-80-G (241.3)
RS2628QR	PL QR 3300V 425A 4P Gland Bracket (180) 185-C 75-80-G (241.3)
RS2629	PL 3300V 425A 4P Gland Bracket (180) 50-C 55-60-G (245.3)
RS2629QR	PL QR 3300V 425A 4P Gland Bracket (180) 50-C 55-60-G (245.3)
RS2630	PL 3300V 425A 4P Gland Bracket (180) 70-C 60-65-G (245.3)
RS2630QR	PL QR 3300V 425A 4P Gland Bracket (180) 70-C 60-65-G (245.3)
RS2631	PL 3300V 425A 4P Gland Bracket (180) 95-C 65-70-G (245.3)
RS2631QR	PL QR 3300V 425A 4P Gland Bracket (180) 95-C 65-70-G (245.3)
RS2632	PL 3300V 425A 4P Gland Bracket (180) 120-C 70-75-G (245.3)
RS2632QR	PL QR 3300V 425A 4P Gland Bracket (180) 120-C 70-75-G (245.3)
RS2633	PL 3300V 425A 4P Gland Bracket (180) 150-C 75-80-G (245.3)

Glossary

Part No	Description
RS2633QR	PL QR 3300V 425A 4P Gland Bracket (180) 150-C 75-80-G (245.3)
RS2634	PL 3300V 425A 6P Gland Bracket (180) 16-C 40-45-G (241.3)
RS2634QR	PL QR 3300V 425A 6P Gland Bracket (180) 16-C 40-45-G (241.3)
RS2635	PL 3300V 425A 6P Gland Bracket (180) 25-C 45-50-G (241.3)
RS2635QR	PL QR 3300V 425A 6P Gland Bracket (180) 25-C 45-50-G (241.3)
RS2636	PL 3300V 425A 6P Gland Bracket (180) 35-C 50-55-G (241.3)
RS2636QR	PL QR 3300V 425A 6P Gland Bracket (180) 35-C 50-55-G (241.3)
RS2637	PL 3300V 425A 6P Gland Bracket (180) 50-C 50-55-G (241.3)
RS2637QR	PL QR 3300V 425A 6P Gland Bracket (180) 50-C 50-55-G (241.3)
RS2638	PL 3300V 425A 6P Gland Bracket (180) 70-C 55-60-G (241.3)
RS2638QR	PL QR 3300V 425A 6P Gland Bracket (180) 70-C 55-60-G (241.3)
RS2639	PL 3300V 425A 6P Gland Bracket (180) 95-C 60-65-G (241.3)
RS2639QR	PL QR 3300V 425A 6P Gland Bracket (180) 95-C 60-65-G (241.3)
RS2640	PL 3300V 425A 6P Gland Bracket (180) 120-C 65-70-G (241.3)
RS2640QR	PL QR 3300V 425A 6P Gland Bracket (180) 120-C 65-70-G (241.3)
RS2641	PL 3300V 425A 6P Gland Bracket (180) 150-C 70-75-G (241.3)
RS2641QR	PL QR 3300V 425A 6P Gland Bracket (180) 150-C 70-75-G (241.3)
RS2642	PL 3300V 425A 6P Gland Bracket (180) 185-C 75-80-G (241.3)
RS2642QR	PL QR 3300V 425A 6P Gland Bracket (180) 185-C 75-80-G (241.3)
RS2643	PL 3300V 425A 6P Gland Bracket (180) 50-C 55-60-G (245.3)
RS2643QR	PL QR 3300V 425A 6P Gland Bracket (180) 50-C 55-60-G (245.3)
RS2644	PL 3300V 425A 6P Gland Bracket (180) 70-C 60-65-G (245.3)
RS2644QR	PL QR 3300V 425A 6P Gland Bracket (180) 70-C 60-65-G (245.3)
RS2645	PL 3300V 425A 6P Gland Bracket (180) 95-C 65-70-G (245.3)
RS2645QR	PL QR 3300V 425A 6P Gland Bracket (180) 95-C 65-70-G (245.3)
RS2646	PL 3300V 425A 6P Gland Bracket (180) 120-C 70-75-G (245.3)
RS2646QR	PL QR 3300V 425A 6P Gland Bracket (180) 120-C 70-75-G (245.3)
RS2647	PL 3300V 425A 6P Gland Bracket (180) 150-C 75-80-G (245.3)
RS2647QR	PL QR 3300V 425A 6P Gland Bracket (180) 150-C 75-80-G (245.3)
RS2652	PL 16 / 25 (3300) B2B 4P Insulator and Contact Set
RS2653	PL 16 / 25 (11/3300) B2B 6P Insulator and Contact Set
RS2654	PL 6P B2B Cage Kit



Notes

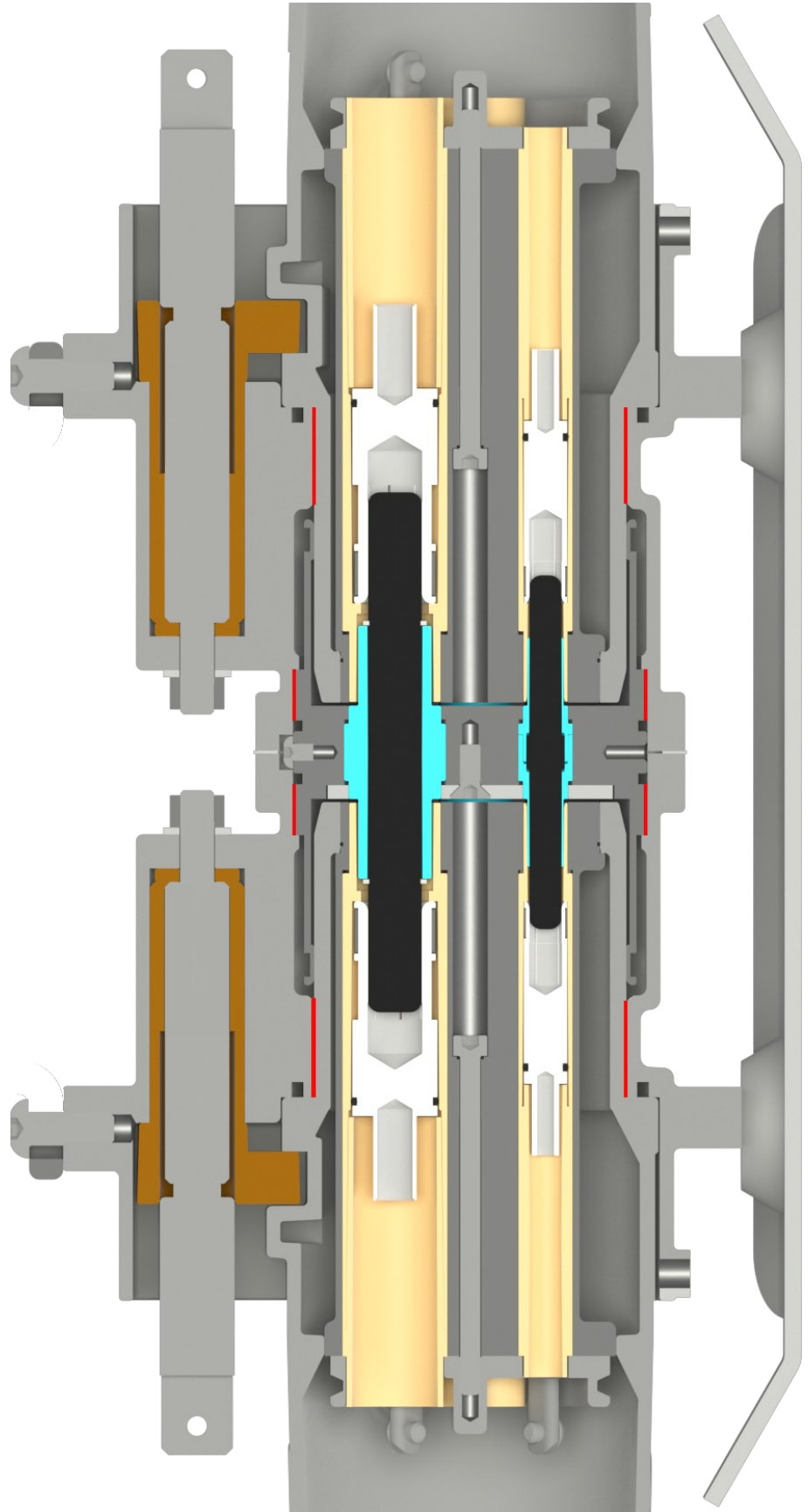
Flamepath Detail

660/1100/3300V 300/425A PL Back to Back

Legend	
	Flamepath
	Plug Insulators
	Receptacle Insulators
	Plug Contacts
	Receptacle Contacts
	Plug and Recept Housing
	Plug and Recept Cage

Flamepaths are not intended to be repaired. For further specifications on Flamepath joints, contact manufacturer for dimensions and tolerances.

Plug and Receptacle Disengagement Order
Pilot/Auxiliary – Phase Contacts – Scraping Earth – Flameproof Path.
 Pilot disengages first providing electrical isolation of phase during disconnection sequence.



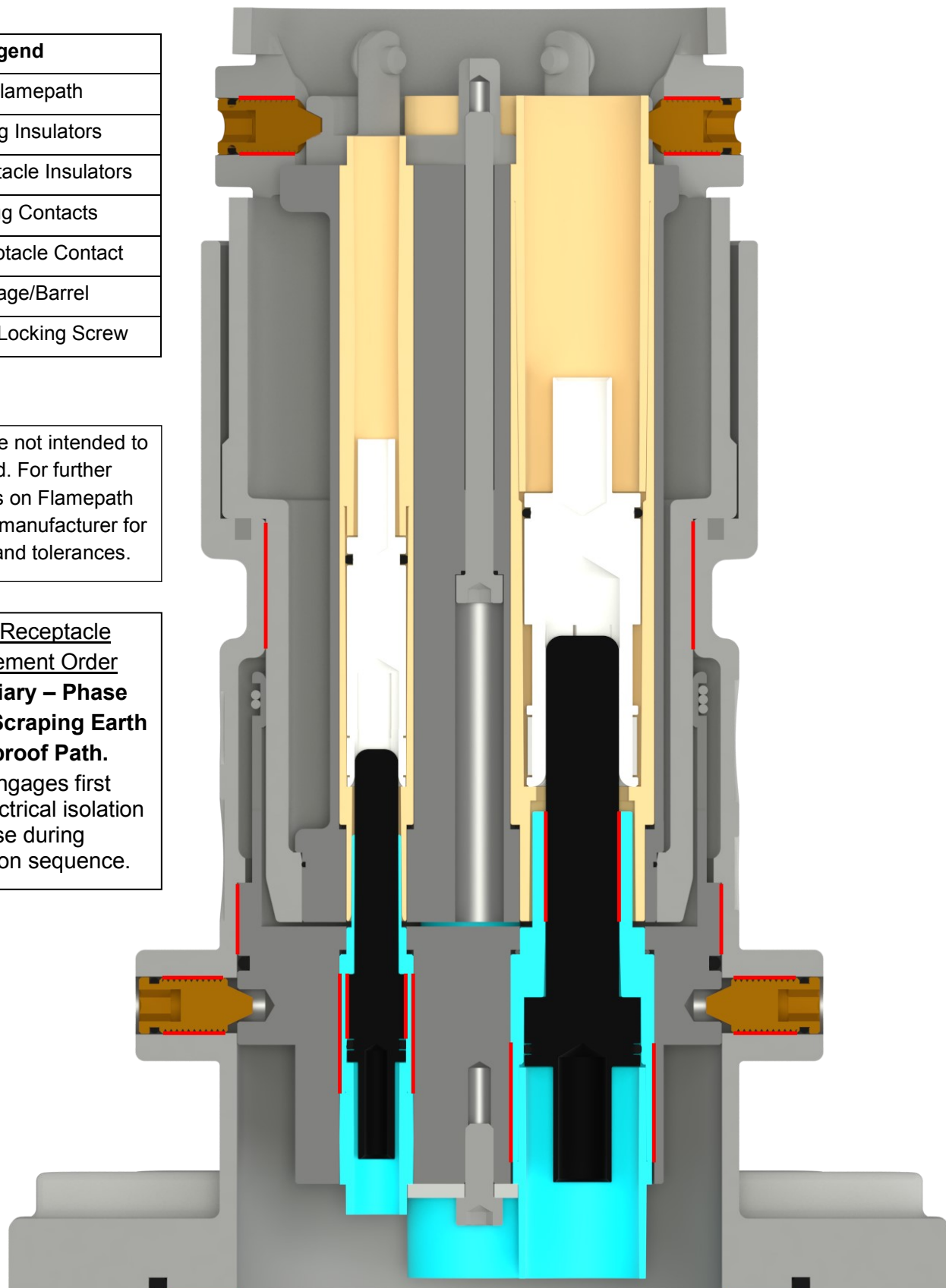
Flamepath Detail

660/1100/3300V 300/425A PL Plug And Receptacle

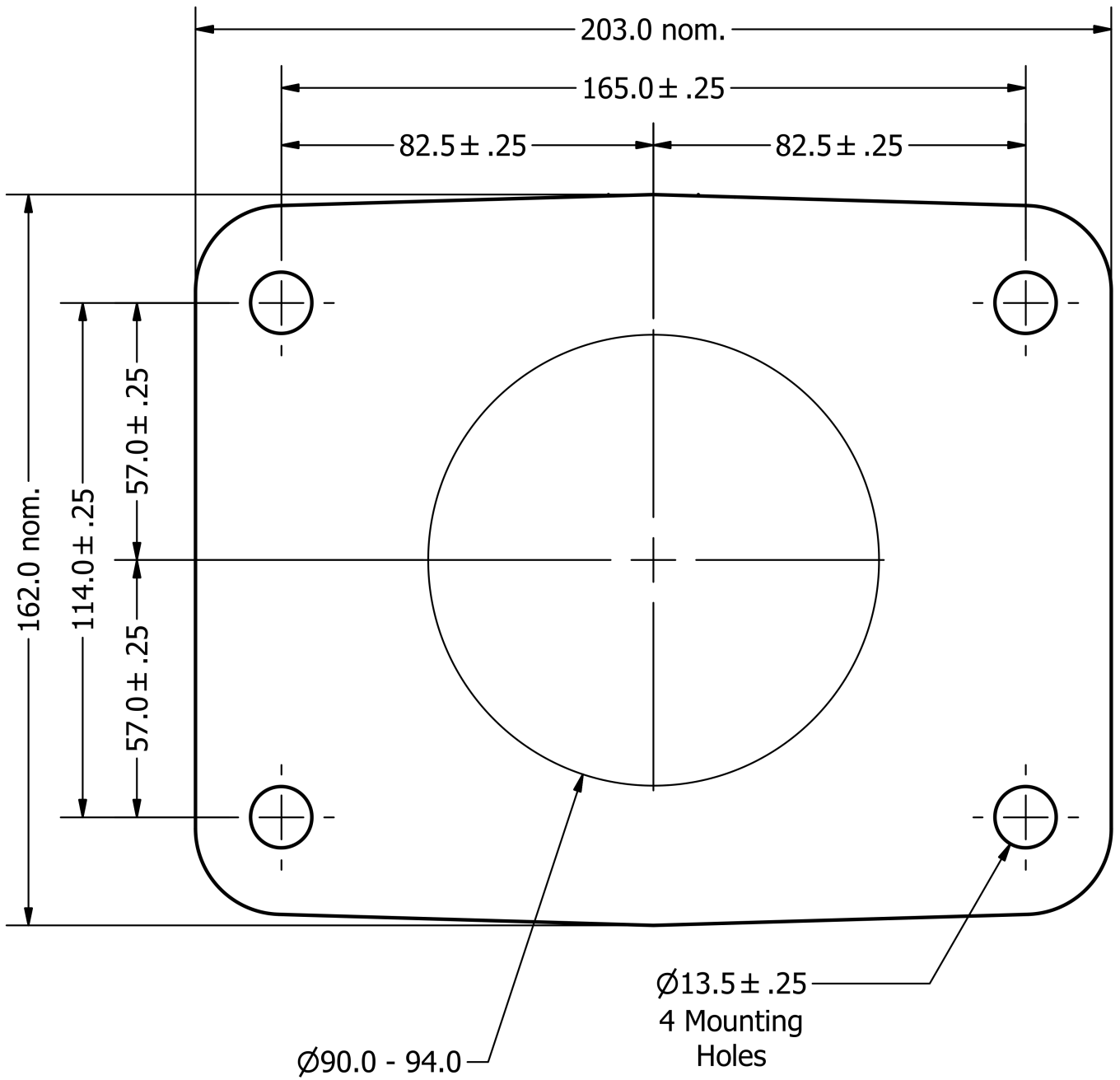
Legend	
	Flamepath
	Plug Insulators
	Receptacle Insulators
	Plug Contacts
	Receptacle Contact
	Cage/Barrel
	Cage Locking Screw

Flamepaths are not intended to be repaired. For further specifications on Flamepath joints, contact manufacturer for dimensions and tolerances.

Plug and Receptacle Disengagement Order
Pilot/Auxiliary – Phase Contacts – Scraping Earth – Flameproof Path.
 Pilot disengages first providing electrical isolation of phase during disconnection sequence.



PL Receptacle Enclosure Profile For Mounting of
660/1100/3300V 300/425A PL Receptacle



Maintenance And Safety

Plug and Receptacle System

To ensure the safe operation of the plug and receptacles, personnel should be aware of minimal ongoing care and maintenance.

- When cables are not in use, ensure that protective covers have been fitted to provide adequate sealing against moisture and dust.
- The plugs and receptacles should never be used as a towing or anchor point.
- Inspect plug and receptacle to ensure no parts are missing, if parts are missing it is deemed unsafe for use.
- Inspect insertion end of plug and entry of receptacle to ensure there is no damage, as damage could compromise the flame path protection.
- Before connection inspect sealing ring in receptacle to ensure they are located correctly into groove.
- Before connection of plug and receptacle ensure connecting pins are not bent from previous misuse or incorrect assembly.
- Ensure plug has been inserted fully into receptacle before energizing.
- If witness marks are used, make sure they are brightly painted on the sheath, located where the cable enters the gland. This needs to be routinely inspected to check if a gap appears between the end of the gland and the witness mark. A gap may indicate that the cable has been under tension and that the termination in the coupler may have moved.
- The maximum surface temperature the plug will achieve when operating at full rated current at an ambient of 40 Deg Celsius will not exceed 85 Deg Celsius, which is therefore suitable for safe use in underground mines as it is less than 150 Deg Celsius.



Ex Identification Labels

For 300/425A Plug Product



Notes

- Ensure Receptacle is Earthed to Ensure Induced Voltages Are Not Developed
- Plug and Receptacle Are Not To Be Separated When Energised

Standards Applied: AS/NZS 1299:2009, AS/NZS 60079.0:2019, AS/NZS 60079.1:2015

Ex Identification Labels

For 300/425A Receptacle Product

AUSPROOF

RATING: 660V 300A

CoC: ANZEx I6.2005X

CoC: IECEX SIM 20.0009X

REF: ID QRR634 - Ex db I Mb Type A

S/N:

WARNING - DO NOT SEPARATE WHEN ENERGIZED

Volts

Amps

Certification Number

Certification Number

Quick Release Receptacle Type

Identification Number

Pilot Orientation

Protection Type

AUSPROOF

RATING: 660V 300A

CoC: ANZEx I6.2005X

CoC: IECEX SIM 20.0009X

REF: ID R634 - Ex db I Mb Type A

S/N:

WARNING - DO NOT SEPARATE WHEN ENERGIZED

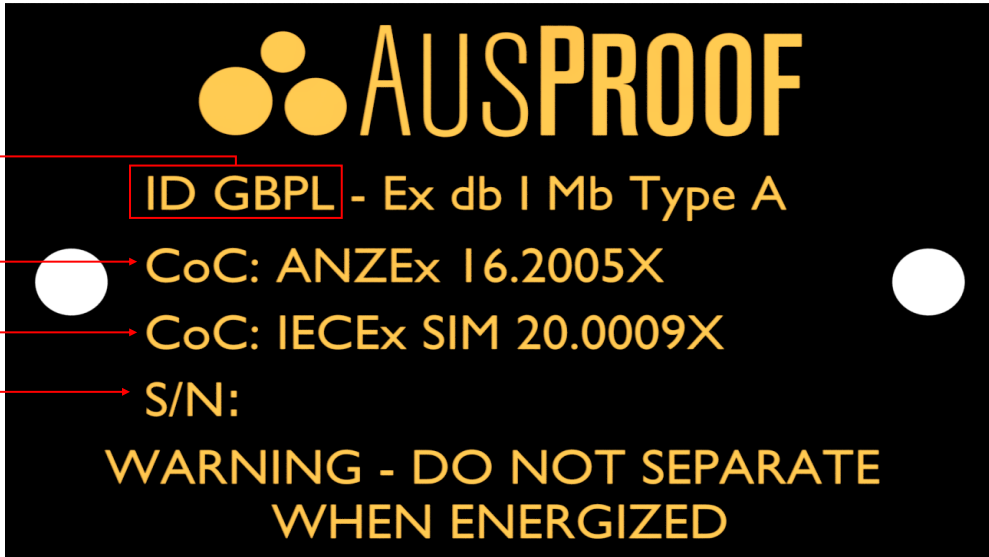
Jack In Receptacle Type

Phase

Main Pilot

Ex Identification Labels

For Gland Bracket and Gland Mount Product



This label is for a Gland Bracket Product (ID GBPL). It features the AUSPROOF logo at the top. Below the logo, the text reads: ID GBPL - Ex db I Mb Type A. There are two white circular markers on the label. The first marker is associated with the Certification Number CoC: ANZEx 16.2005X. The second marker is associated with the Certification Number CoC: IECEx SIM 20.0009X. Below the certification numbers, it says S/N: followed by a blank space. At the bottom, there is a warning: WARNING - DO NOT SEPARATE WHEN ENERGIZED.

Gland Type

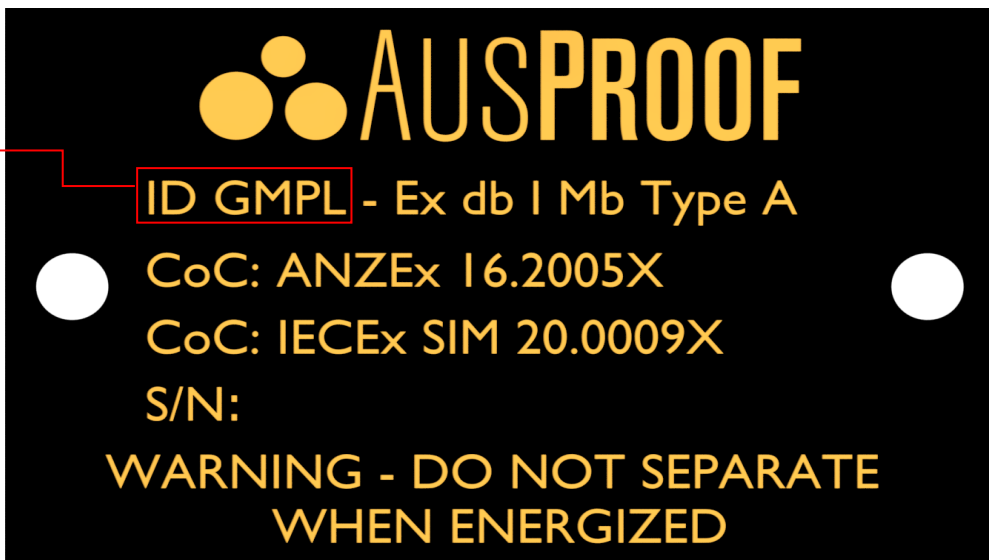
ID GBPL - Ex db I Mb Type A

Certification Number CoC: ANZEx 16.2005X

Certification Number CoC: IECEx SIM 20.0009X

Identification Number S/N:

WARNING - DO NOT SEPARATE
WHEN ENERGIZED



This label is for a Gland Mount Product (ID GMPL). It features the AUSPROOF logo at the top. Below the logo, the text reads: ID GMPL - Ex db I Mb Type A. There are two white circular markers on the label. Below the ID, it lists the Certification Number CoC: ANZEx 16.2005X and the Certification Number CoC: IECEx SIM 20.0009X. Below the certification numbers, it says S/N: followed by a blank space. At the bottom, there is a warning: WARNING - DO NOT SEPARATE WHEN ENERGIZED.

Gland Type

ID GMPL - Ex db I Mb Type A

CoC: ANZEx 16.2005X

CoC: IECEx SIM 20.0009X

S/N:

WARNING - DO NOT SEPARATE
WHEN ENERGIZED

Ex Identification Labels

For Back to Back 300/425A Product

Volts

Amps

Certification Number

Certification Number

Quick Release Back to Back Receptacle Type

Identification Number

Pilot Orientation

Protection Type

AUSPROOF

RATING: 660V 300A

CoC: ANZEx 16.2005X

CoC: IECEX SIM 20.0009X

REF: ID QRBB634 - Ex db I Mb Type A

S/N:

WARNING - DO NOT SEPARATE WHEN ENERGIZED

Back to Back Receptacle Type

Phase

Main Pilot

AUSPROOF

RATING: 660V 300A

CoC: ANZEx 16.2005X

CoC: IECEX SIM 20.0009X

REF: ID BB634 - Ex db I Mb Type A

S/N:

WARNING - DO NOT SEPARATE WHEN ENERGIZED

- In accordance with clause 11.3 of AS/NZS 60079-1:2015, the following fastener property class shall apply;
 - ◆ Fixing Gland Bracket to Receptacle: Property Class \geq 4.6
 - ◆ Fixing Compression Clamp: Property Class \geq 12.9
 - ◆ Fixing Receptacle to Ex d Enclosure: Property Class \geq 4.6*

**Note: Specified Fastener Property Class to be \geq the Fastener Property Class specified for the Ex enclosure.*

- Flameproof Joints Are Not Intended to Be Repaired: For Further Specifications On Flamepath Joints Contact The Original Manufacturer For Information On The Dimensions Of The Flameproof Joints



6 Shona Avenue

Gladstone

Queensland 4680

Phone: +61 7 49784000

Facsimile: +61 7 49785685

Email: ausproof@ausproof.com.au

Website: <https://www.ausproof.com.au/>