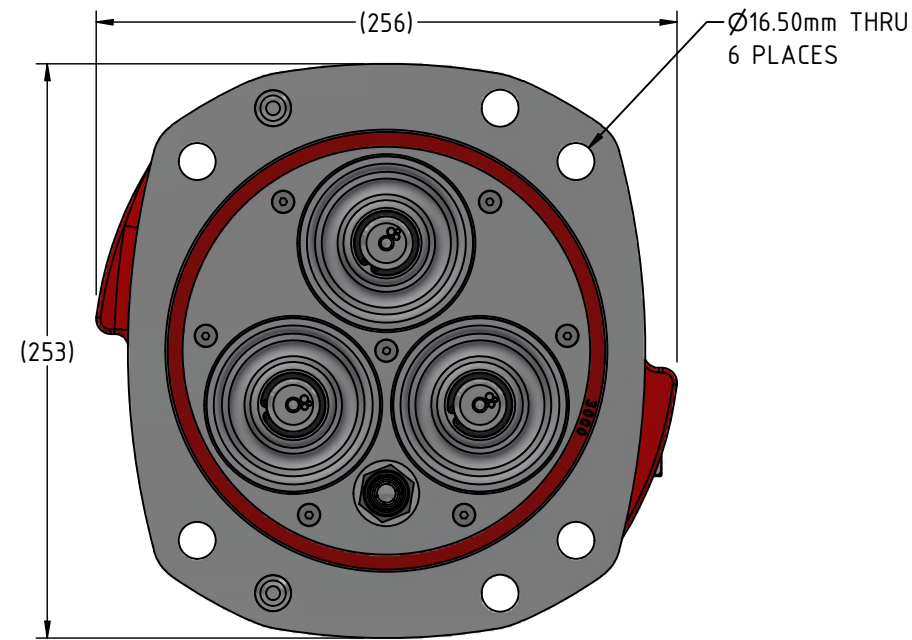
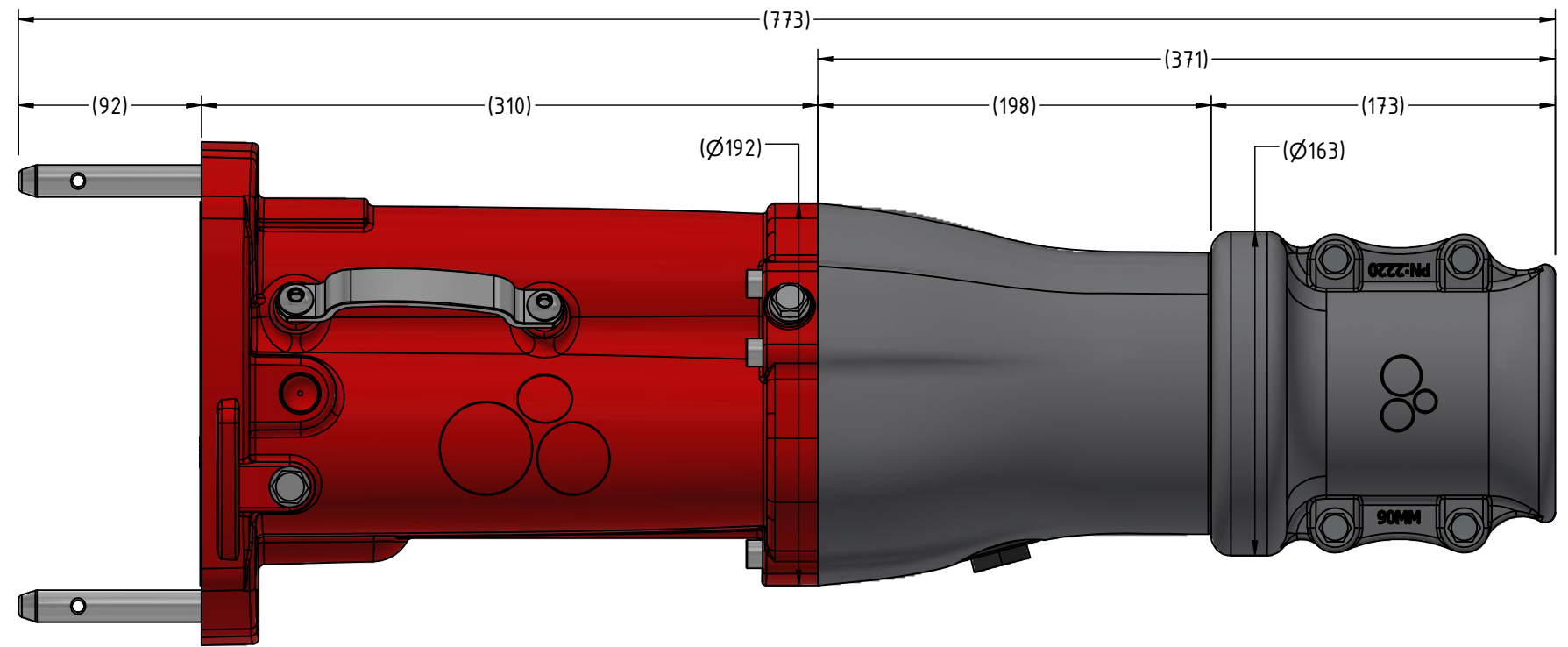


SMALL UNARMoured HOUSING

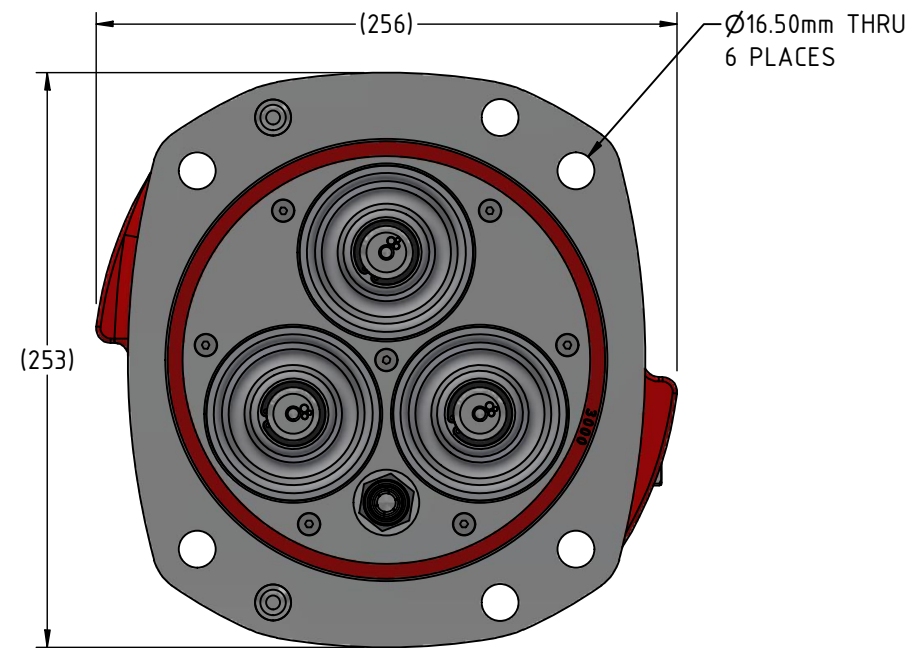


FRONT VIEW

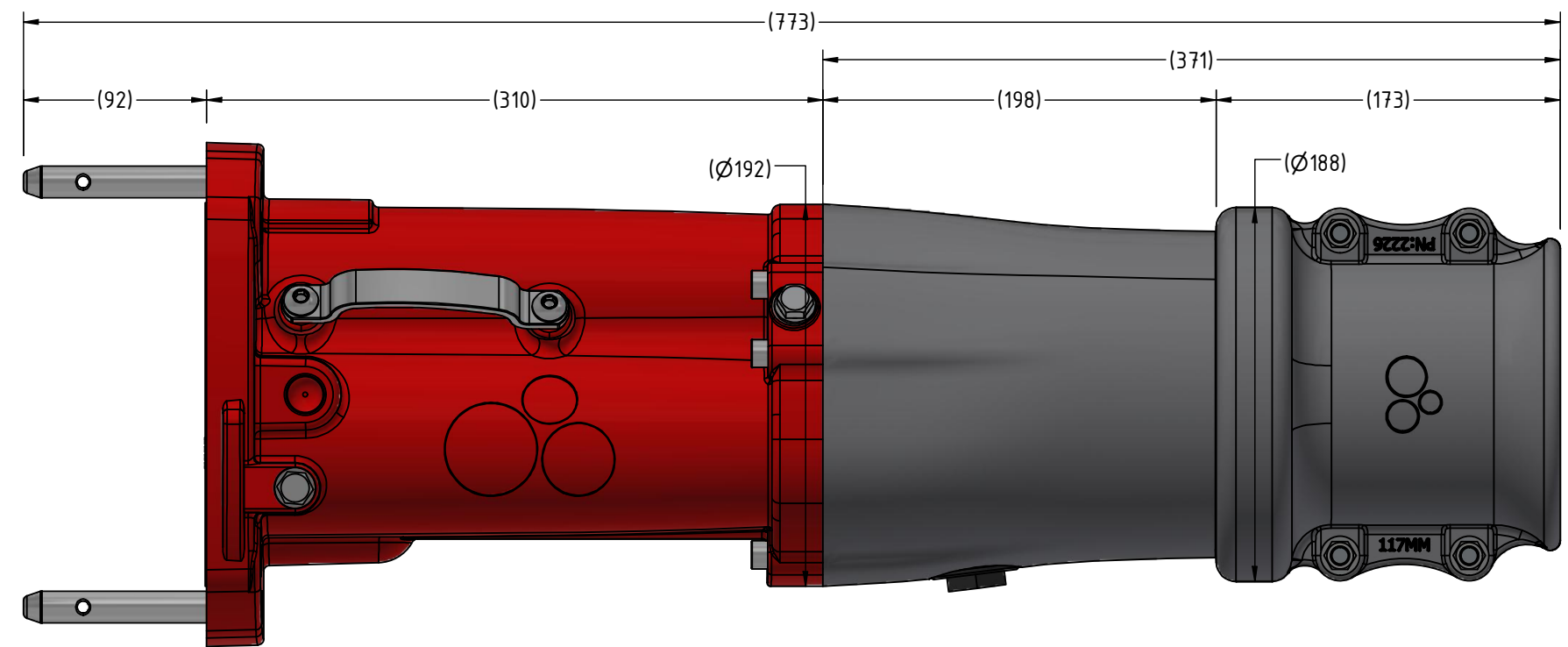


SIDE VIEW

LARGE UNARMoured HOUSING



FRONT VIEW



SIDE VIEW



DRAWN BY
L.BELL

PART NAME
114BKA - PRODUCT DIMENSIONS

APPROVED BY
C.TAYLOR

DRAWN DATE
18/09/2023

SURFACE FINISH

MACHINED, PAINTED

SHEET
1 OF 8
ENG DWG

DRAWING NOT TO SCALE
Request Dimensions If In Doubt

MATERIAL
ALUMINIUM, STAINLESS, COPPER, SILICONE

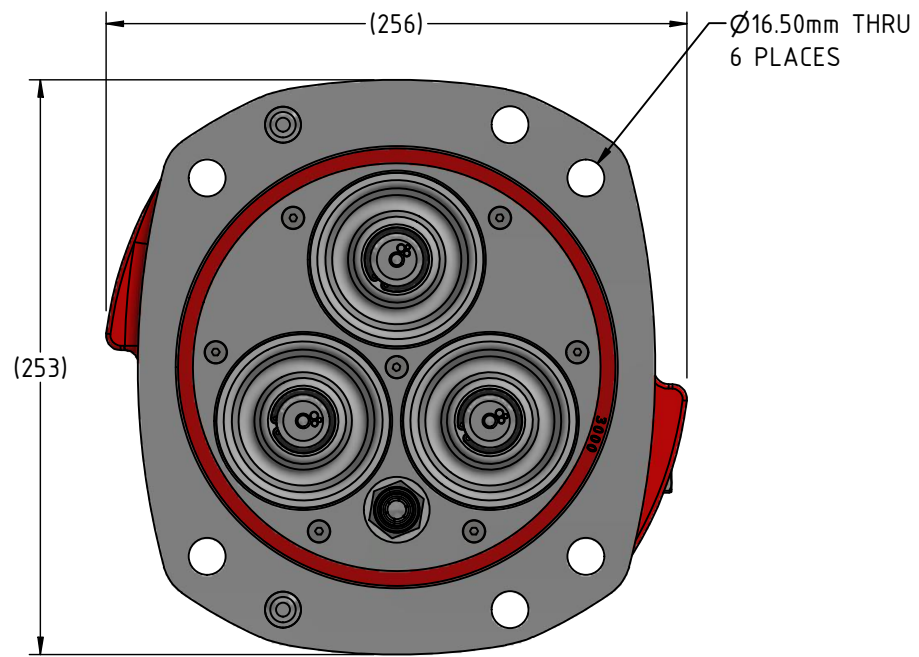
REVISION HISTORY		
REV	DESCRIPTION	DATE
3	ADDED HOLE PLACEMENT SPECS FOR ADAPTOR FLANGE	16/04/2026
2	ADDED RESIN FILLED ADAPTOR TO SHEET 6	26/02/2025
1	INITIAL RELEASE	18/09/2023

SIZE
A3

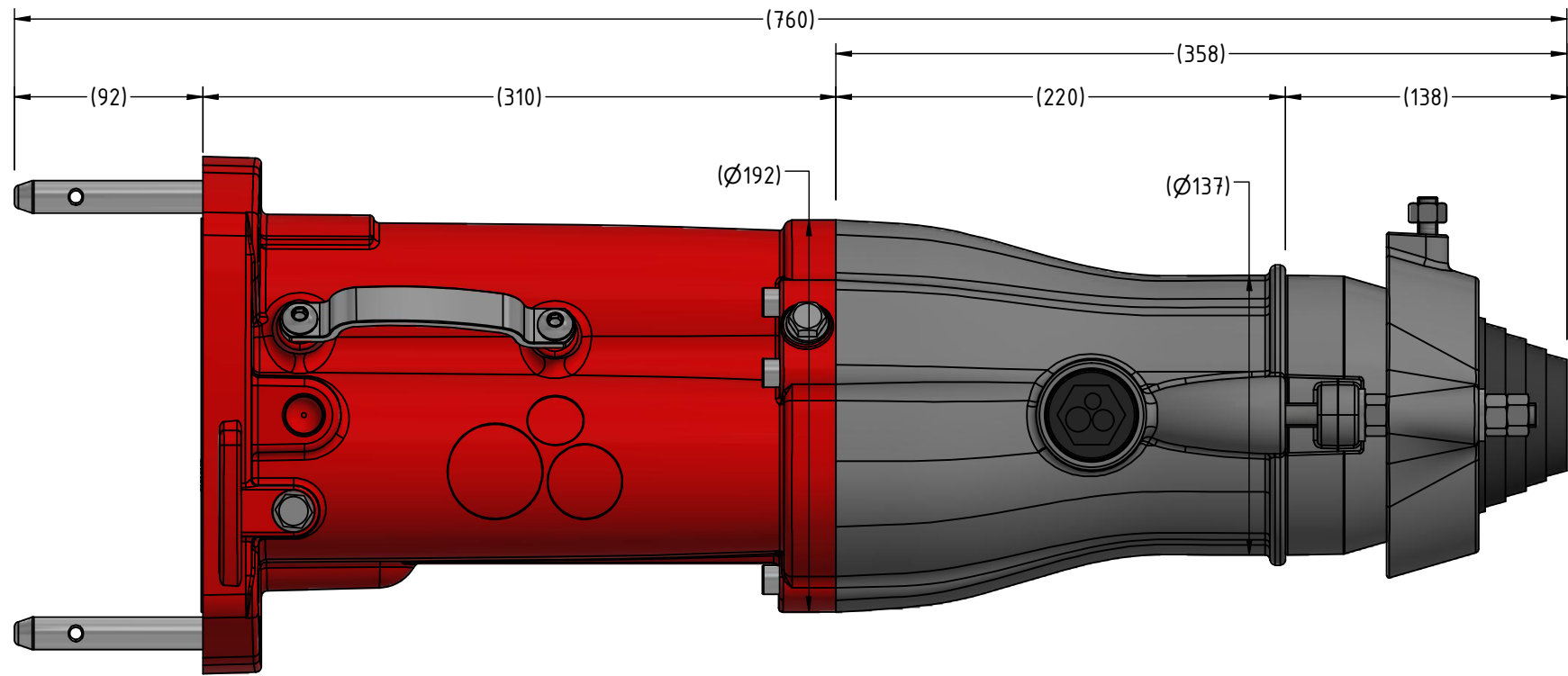
UNLESS OTHERWISE SPECIFIED
DIMENSIONS (Metric-millimetre-mm)
ALL SURFACE FINISHES TO ✓



SMALL ARMOURED HOUSING

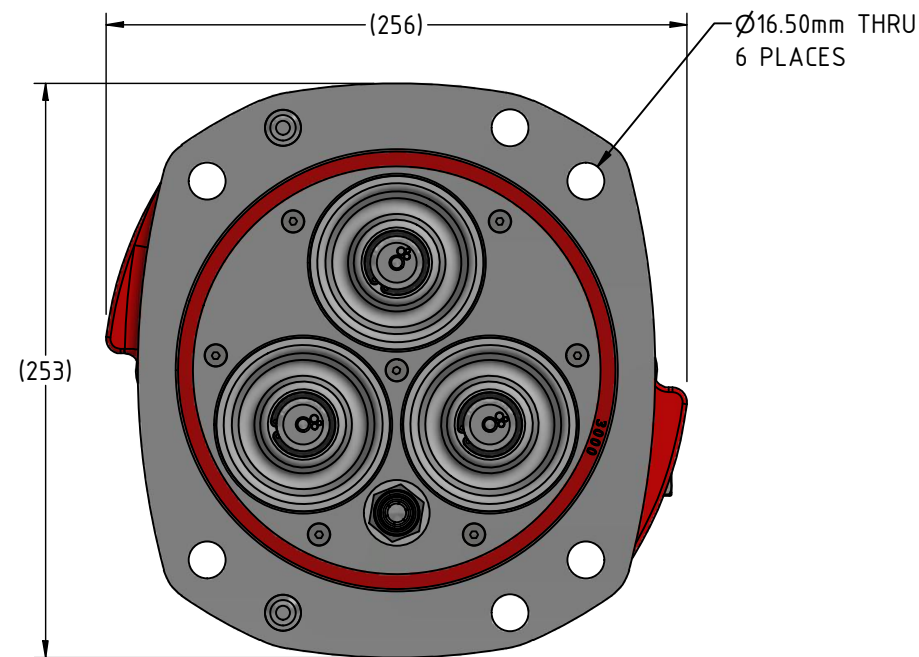


FRONT VIEW

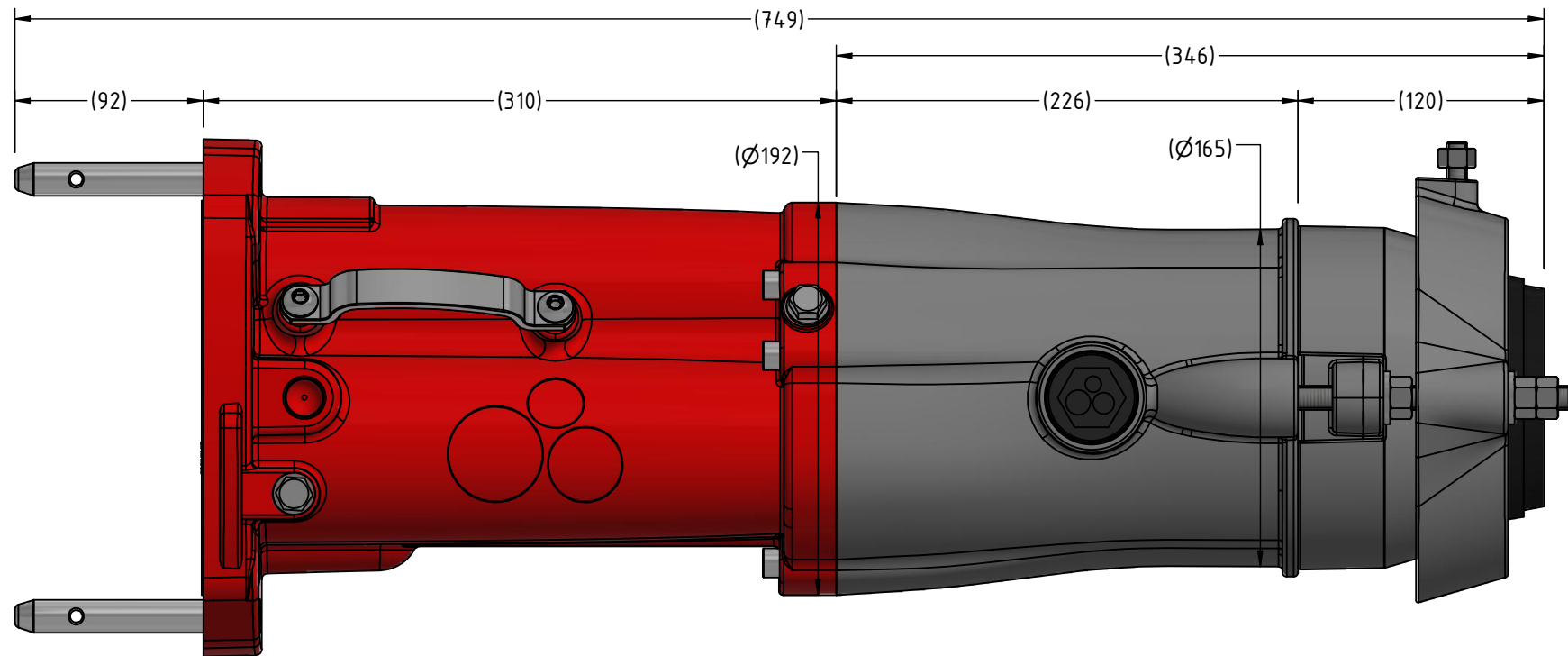


SIDE VIEW

LARGE ARMOURED HOUSING



FRONT VIEW



SIDE VIEW



DRAWN BY
L.BELL

APPROVED BY
C.TAYLOR

PART NAME
114BKA - PRODUCT DIMENSIONS

DRAWN DATE
18/09/2023

SURFACE FINISH
MACHINED, PAINTED

SHEET
2 OF 8

ENG DWG

DRAWING NOT TO SCALE
Request Dimensions If In Doubt

PART NO.
MATERIAL
ALUMINIUM, SILICONE, COPPER, STAINLESS

REVISION HISTORY

REV	DESCRIPTION	DATE
3	ADDED HOLE PLACEMENT SPECS FOR ADAPTOR FLANGE	16/04/2026
2	ADDED RESIN FILLED ADAPTOR TO SHEET 6	26/02/2025
1	INITIAL RELEASE	18/09/2023

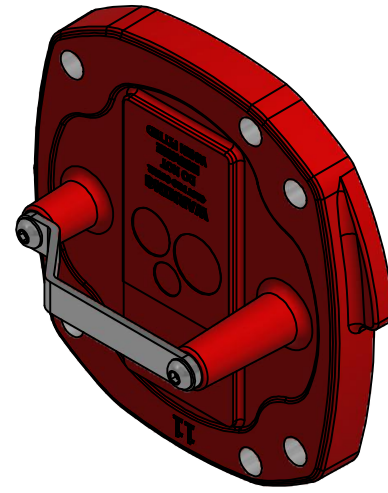
SIZE
A3

UNLESS OTHERWISE SPECIFIED
DIMENSIONS (Metric-millimetre-mm)

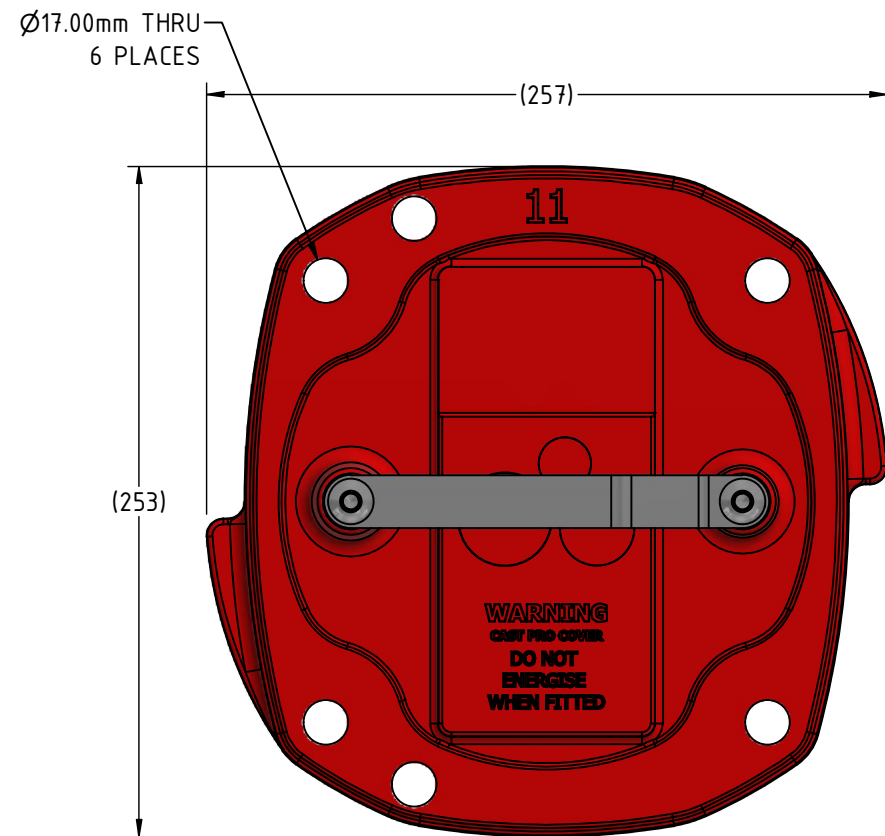
ALL SURFACE FINISHES TO ✓



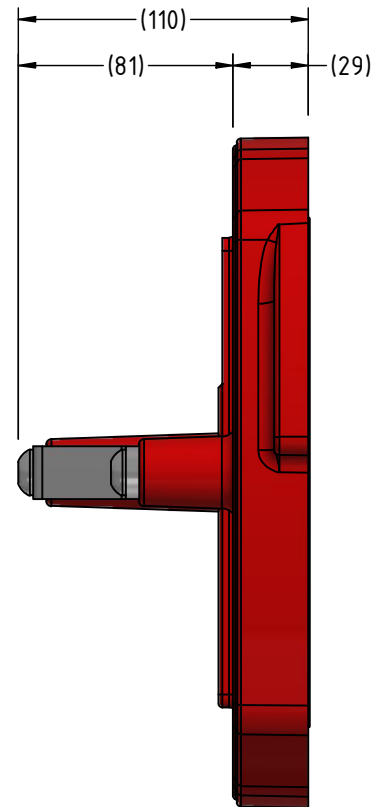
CAST PROTECTION COVER



ISOMETRIC VIEW

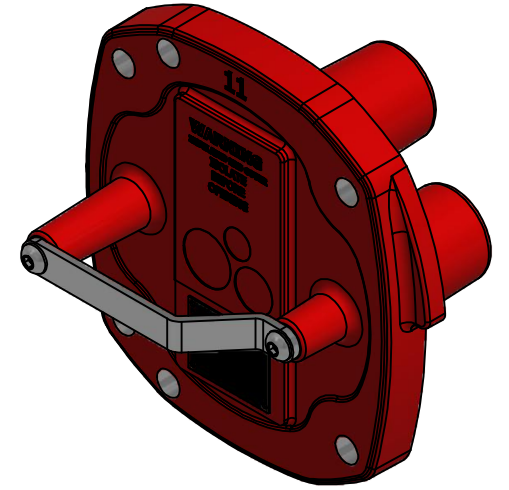


FRONT VIEW

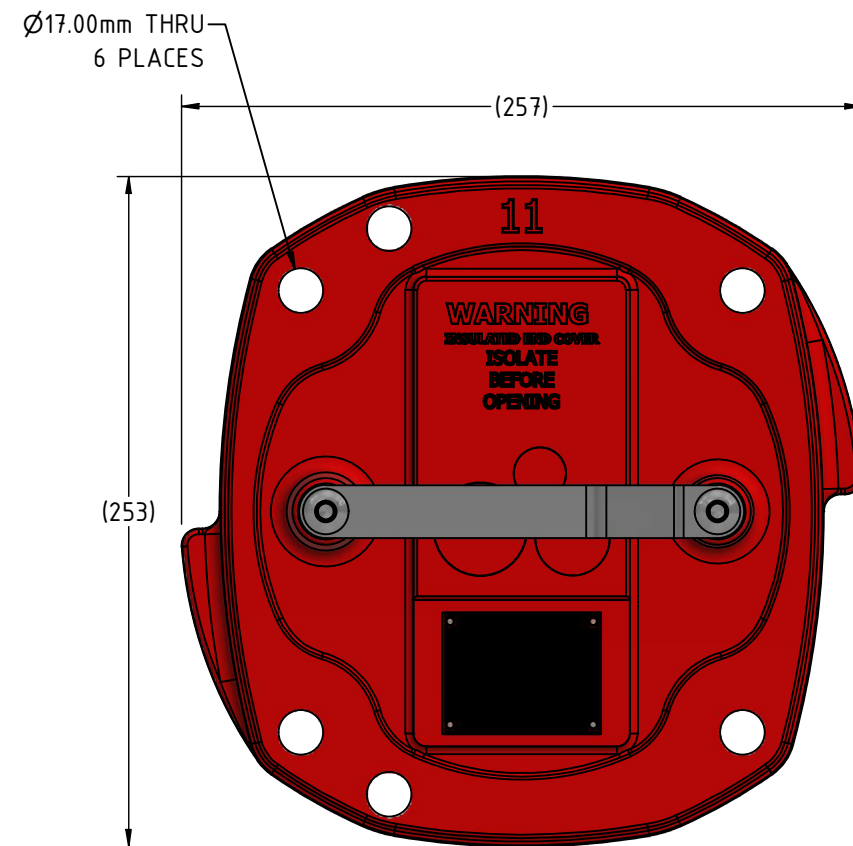


SIDE VIEW

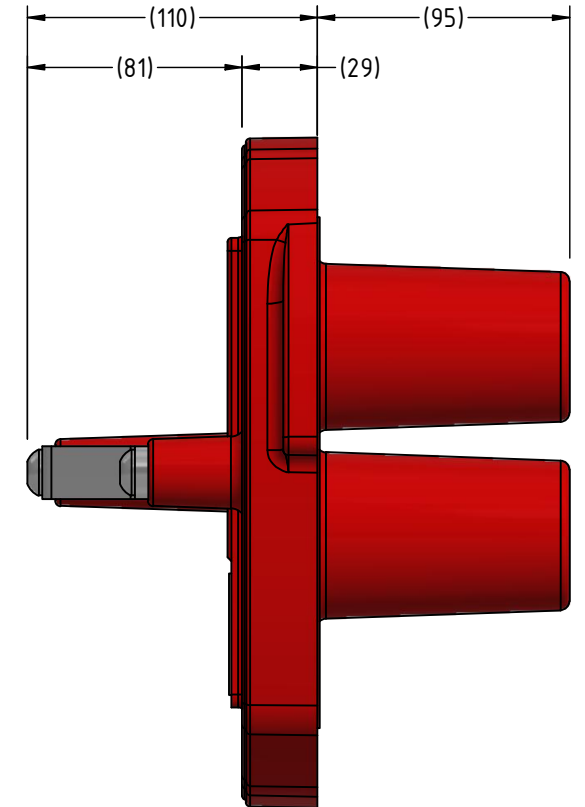
INSULATED END COVER



ISOMETRIC VIEW



FRONT VIEW



SIDE VIEW



DRAWN BY
L.BELL

APPROVED BY
C.TAYLOR

PART NAME
114BKA - PRODUCT DIMENSIONS

DRAWN DATE
18/09/2023

SURFACE FINISH
MACHINED, PAINTED

THIRD ANGLE PROJECTION
SHEET 3 OF 8
ENG DWG

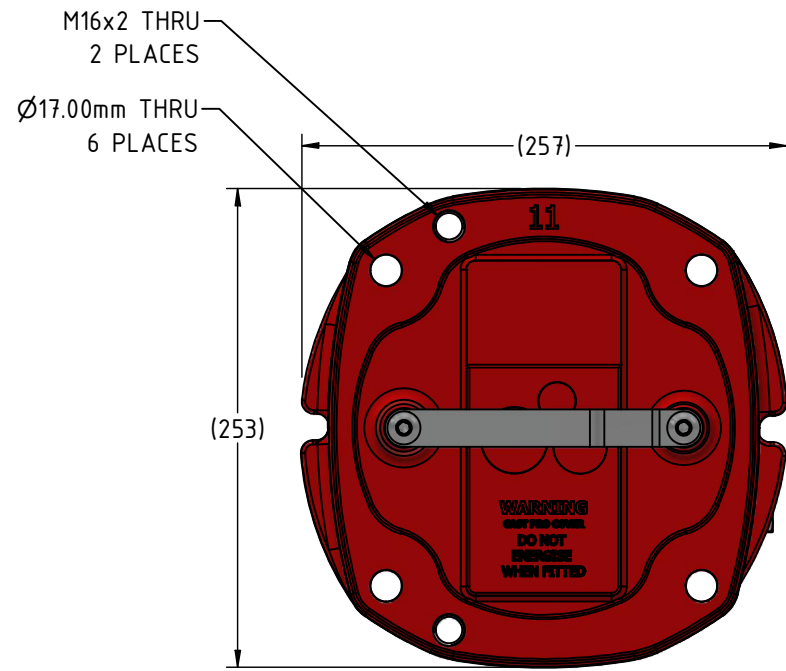
DRAWING NOT TO SCALE
Request Dimensions If In Doubt

PART NO.
MATERIAL
ALUMINIUM, STAINLESS, SILICONE

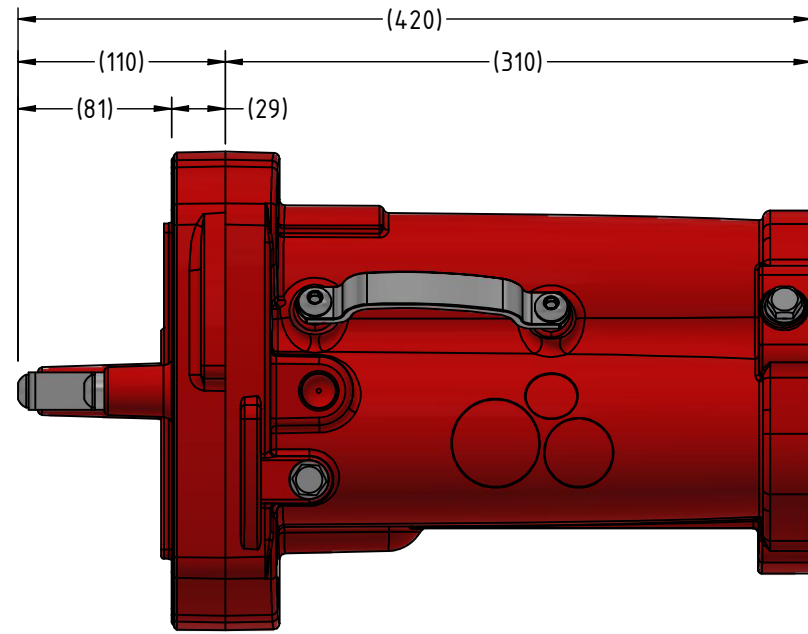
REVISION HISTORY		
REV	DESCRIPTION	DATE
3	ADDED HOLE PLACEMENT SPECS FOR ADAPTOR FLANGE	16/04/2026
2	ADDED RESIN FILLED ADAPTOR TO SHEET 6	26/02/2025
1	INITIAL RELEASE	18/09/2023

SIZE A3
UNLESS OTHERWISE SPECIFIED
DIMENSIONS (Metric-millimetre-mm)
ALL SURFACE FINISHES TO

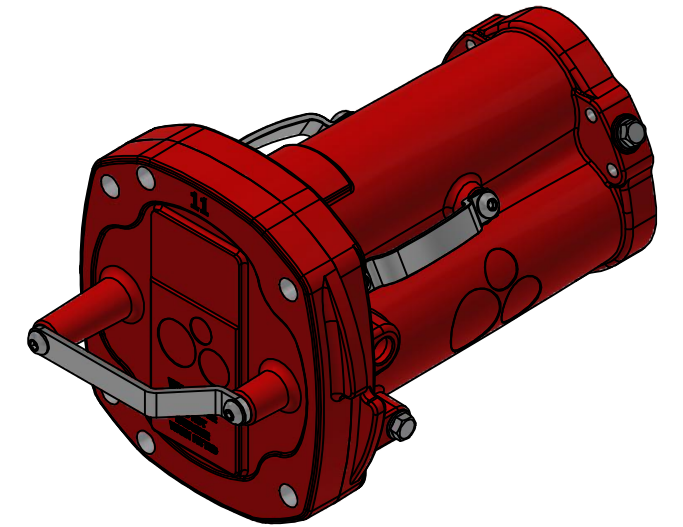
CAST PROTECTION COVER



FRONT VIEW

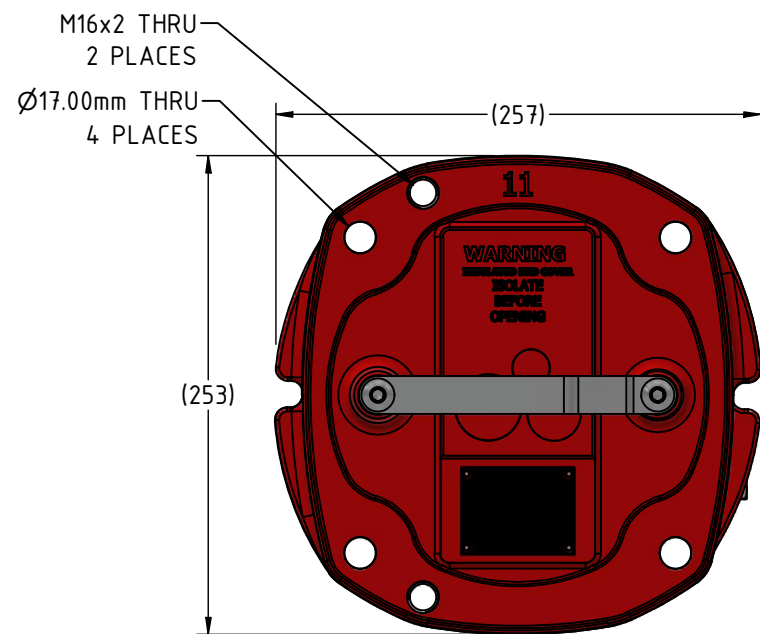


SIDE VIEW

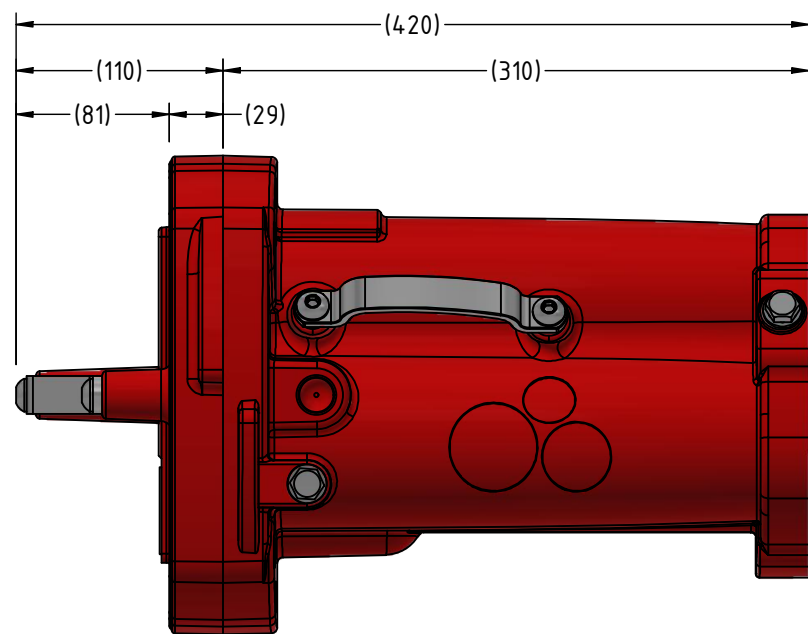


ISOMETRIC VIEW

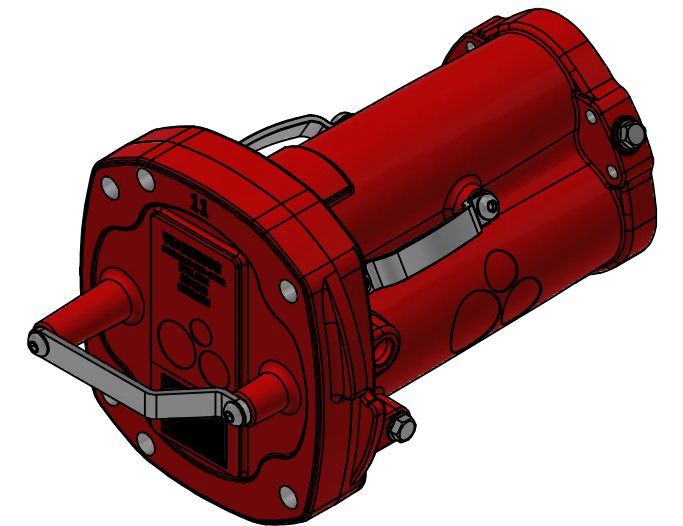
INSULATED END COVER



FRONT VIEW



SIDE VIEW



ISOMETRIC VIEW



DRAWN BY
L.BELL

APPROVED BY
C.TAYLOR

PART NAME
114BKA - PRODUCT DIMENSIONS

DRAWN DATE
18/09/2023

SURFACE FINISH
MACHINED, PAINTED

THIRD ANGLE PROJECTION
SHEET 4 OF 8
ENG DWG

DRAWING NOT TO SCALE
Request Dimensions If In Doubt

PART NO.

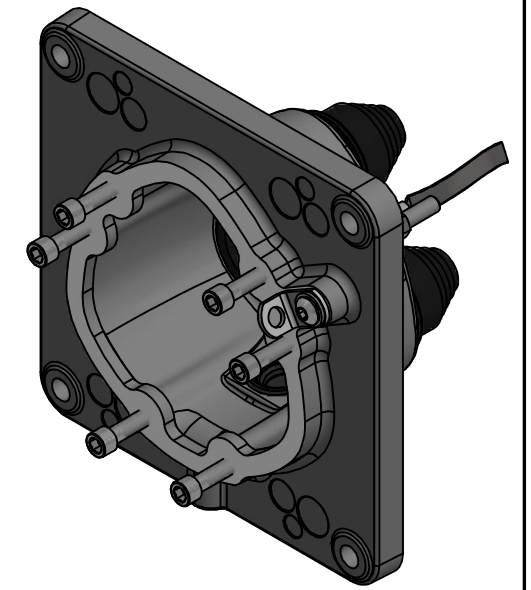
MATERIAL
ALUMINIUM, STAINLESS, SILICONE

REVISION HISTORY		
REV	DESCRIPTION	DATE
3	ADDED HOLE PLACEMENT SPECS FOR ADAPTOR FLANGE	16/04/2026
2	ADDED RESIN FILLED ADAPTOR TO SHEET 6	26/02/2025
1	INITIAL RELEASE	18/09/2023

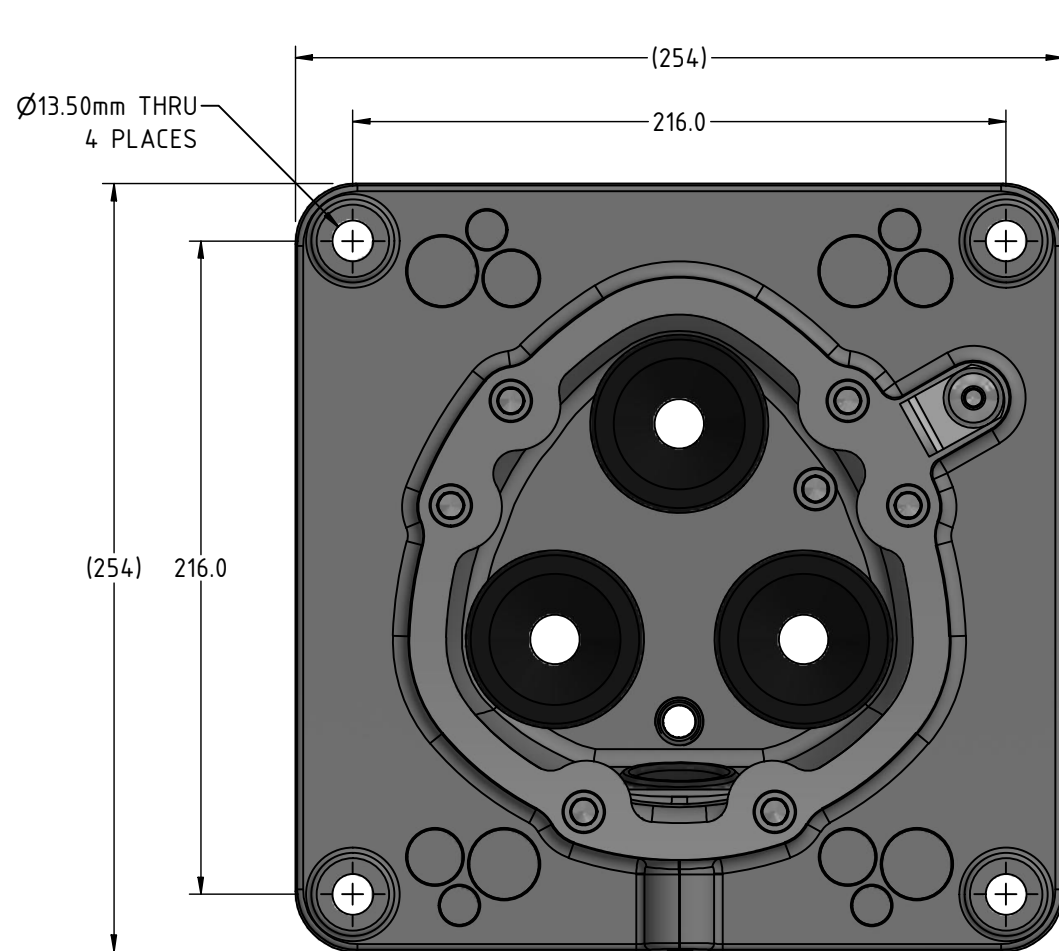
SIZE A3
UNLESS OTHERWISE SPECIFIED
DIMENSIONS (Metric-millimetre-mm)
ALL SURFACE FINISHES TO



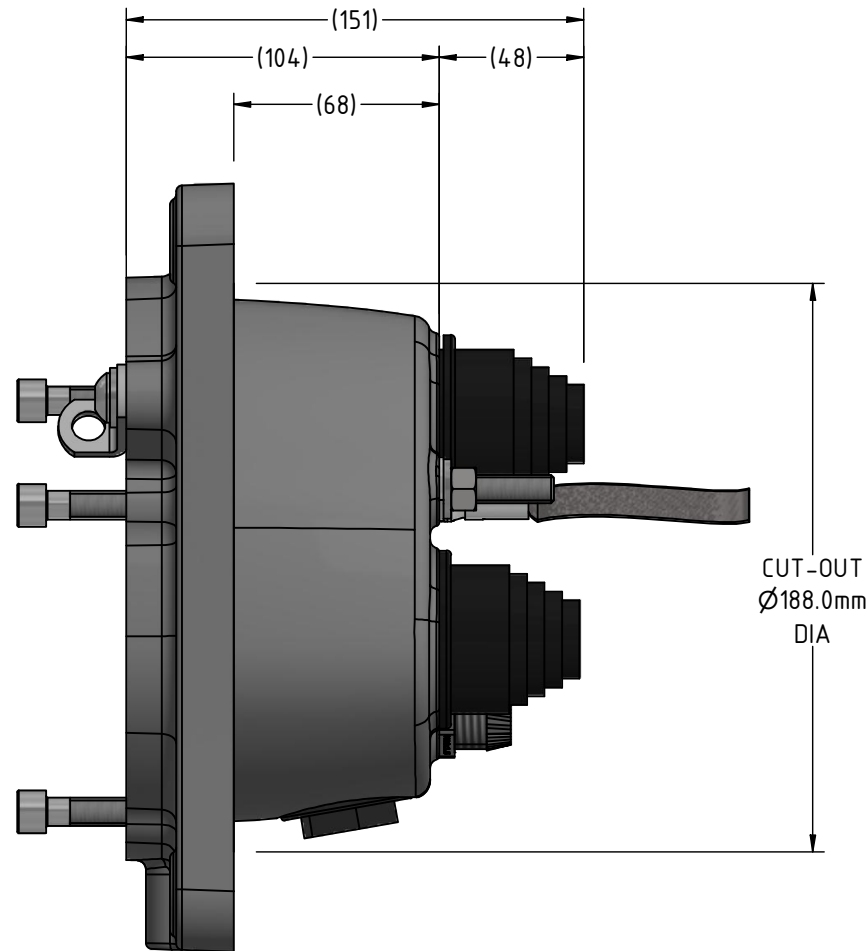
ADAPTOR FLANGE



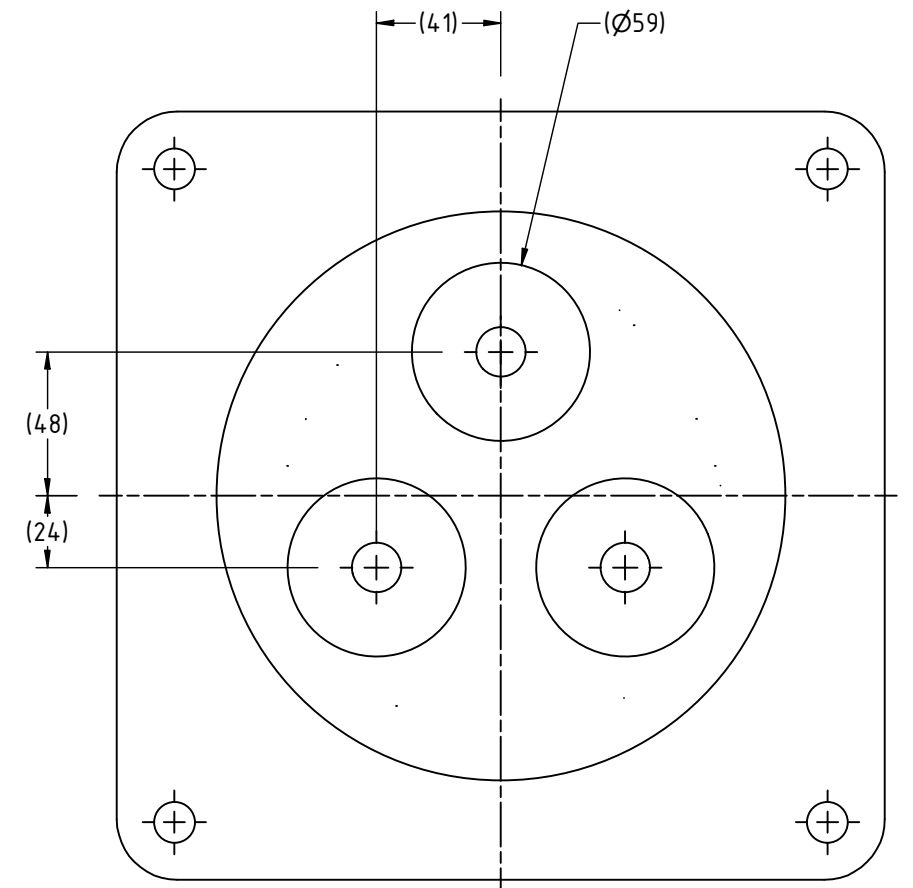
ISOMETRIC VIEW



FRONT VIEW



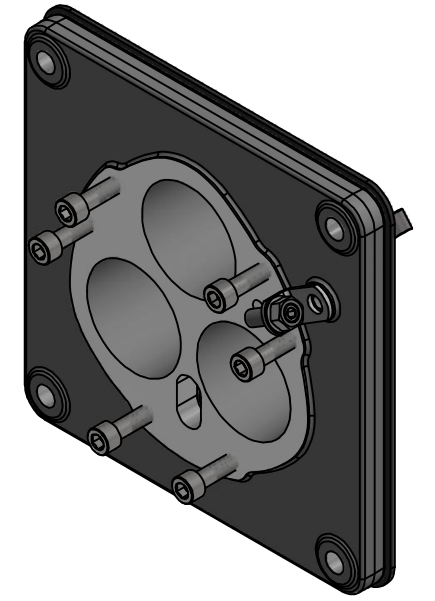
SIDE VIEW



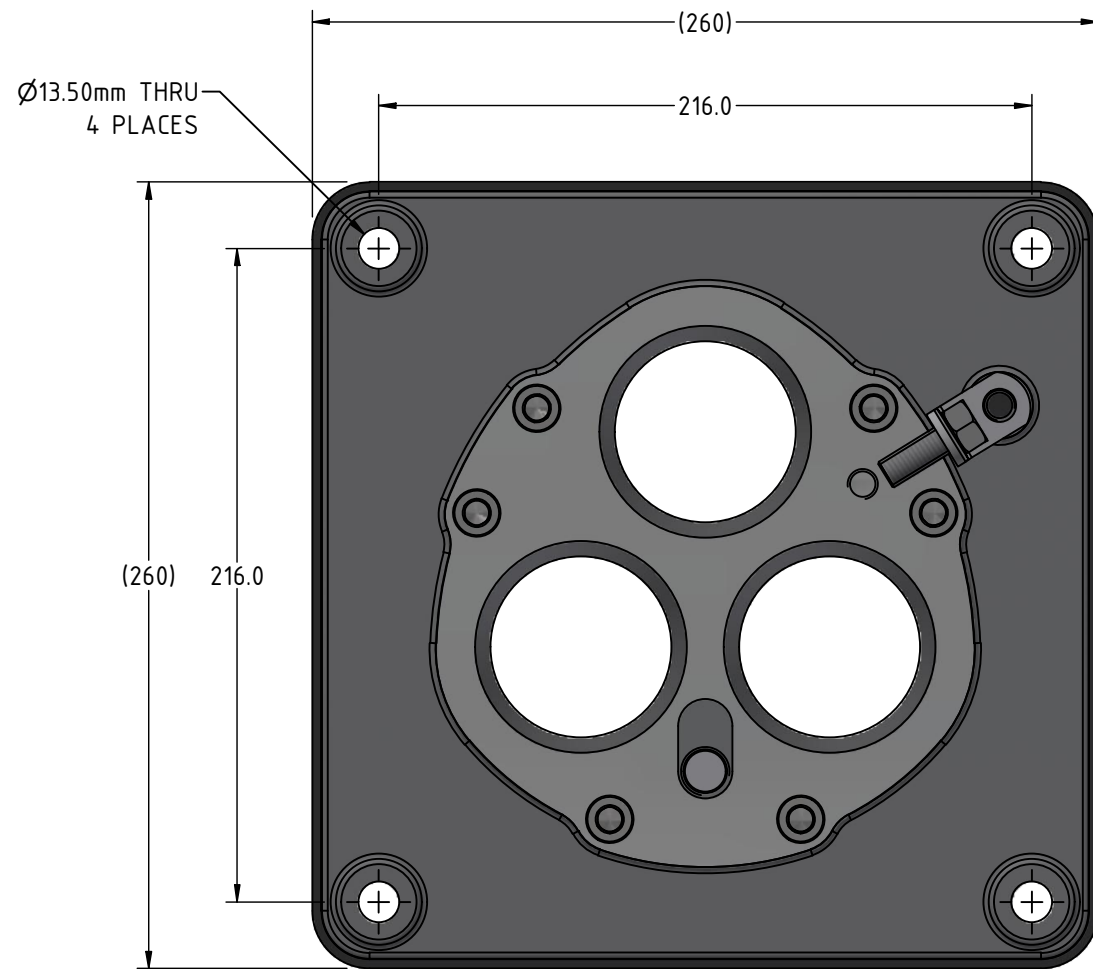
REAR VIEW

<p>© COPYRIGHT RESERVED</p>		DRAWN BY L.BELL		PART NAME 114BKA - PRODUCT DIMENSIONS		<table border="1"> <thead> <tr> <th colspan="3">REVISION HISTORY</th> </tr> <tr> <th>REV</th> <th>DESCRIPTION</th> <th>DATE</th> </tr> </thead> <tbody> <tr> <td>3</td> <td>ADDED HOLE PLACEMENT SPECS FOR ADAPTOR FLANGE</td> <td>16/04/2026</td> </tr> <tr> <td>2</td> <td>ADDED RESIN FILLED ADAPTOR TO SHEET 6</td> <td>26/02/2025</td> </tr> <tr> <td>1</td> <td>INITIAL RELEASE</td> <td>18/09/2023</td> </tr> </tbody> </table>		REVISION HISTORY			REV	DESCRIPTION	DATE	3	ADDED HOLE PLACEMENT SPECS FOR ADAPTOR FLANGE	16/04/2026	2	ADDED RESIN FILLED ADAPTOR TO SHEET 6	26/02/2025	1	INITIAL RELEASE	18/09/2023
		REVISION HISTORY																				
REV	DESCRIPTION	DATE																				
3	ADDED HOLE PLACEMENT SPECS FOR ADAPTOR FLANGE	16/04/2026																				
2	ADDED RESIN FILLED ADAPTOR TO SHEET 6	26/02/2025																				
1	INITIAL RELEASE	18/09/2023																				
APPROVED BY C.TAYLOR		DRAWN DATE 18/09/2023		SURFACE FINISH MACHINED																		
SIZE A3	UNLESS OTHERWISE SPECIFIED DIMENSIONS (Metric-millimetre-mm) ALL SURFACE FINISHES TO ✓	THIRD ANGLE PROJECTION 	SHEET 5 OF 8	DRAWING NOT TO SCALE Request Dimensions If In Doubt																		
		ENG DWG		PART NO.		MATERIAL STAINLESS, SILICONE																

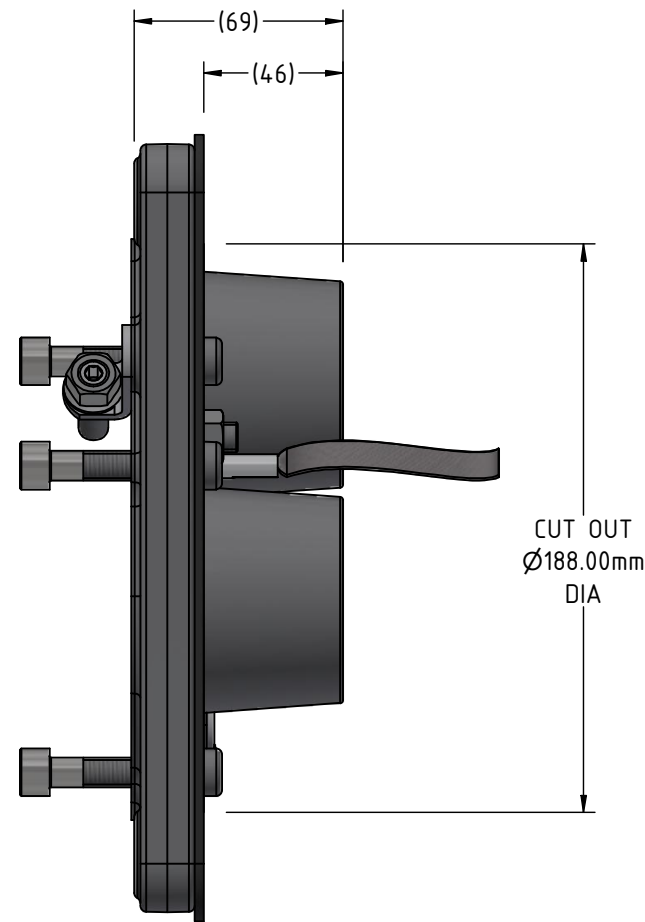
RESIN FILLED ADAPTOR



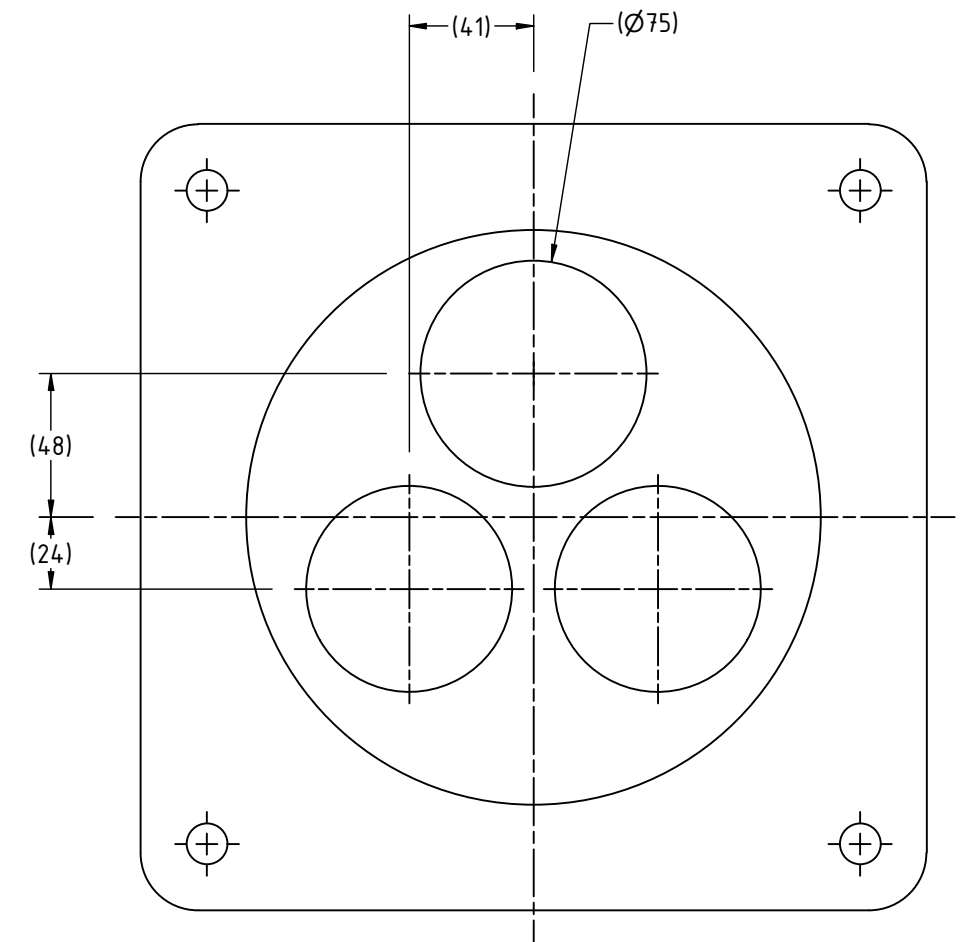
ISOMETRIC VIEW



FRONT VIEW



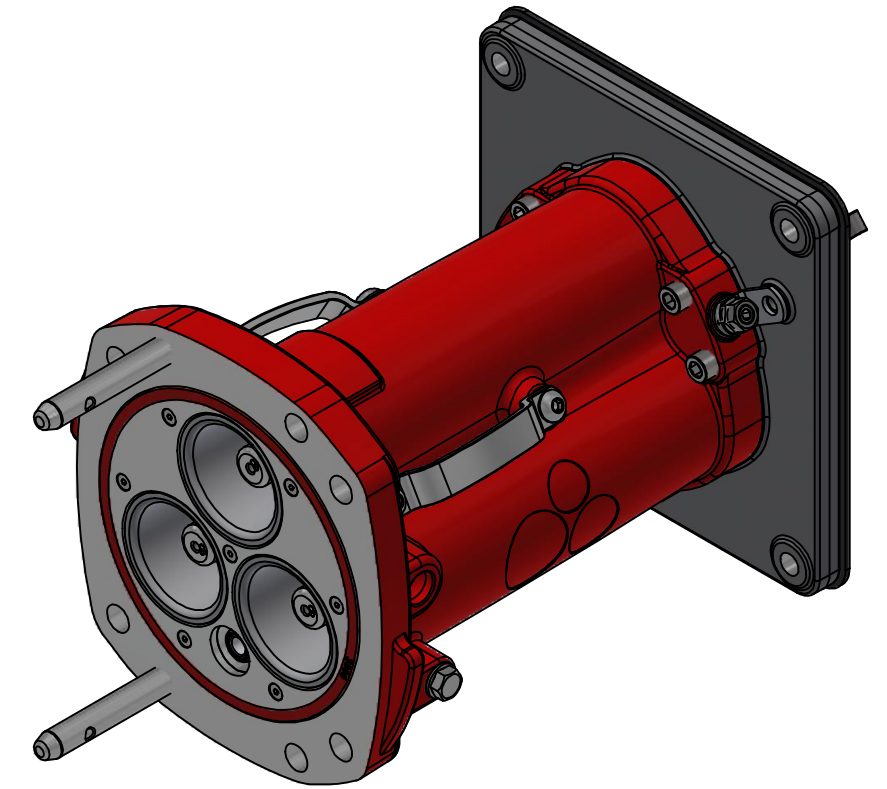
SIDE VIEW



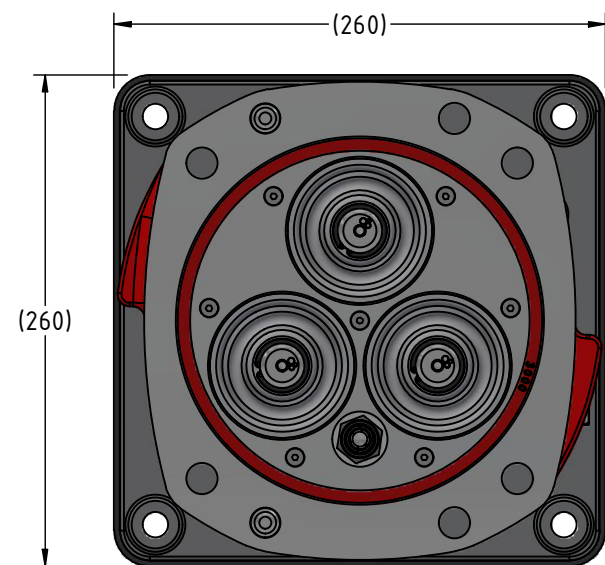
REAR VIEW

<p>© COPYRIGHT RESERVED</p>		DRAWN BY L.BELL		PART NAME 114BKA - PRODUCT DIMENSIONS		REVISION HISTORY REV DESCRIPTION DATE 3 ADDED HOLE PLACEMENT SPECS FOR ADAPTOR FLANGE 16/04/2026 2 ADDED RESIN FILLED ADAPTOR TO SHEET 6 26/02/2025 1 INITIAL RELEASE 18/09/2023	
		APPROVED BY C.TAYLOR		DRAWN DATE 18/09/2023			
SIZE A3	UNLESS OTHERWISE SPECIFIED DIMENSIONS (Metric-millimetre-mm) ALL SURFACE FINISHES TO ✓	THIRD ANGLE PROJECTION 	SHEET 6 OF 8	DRAWING NOT TO SCALE Request Dimensions If In Doubt		SURFACE FINISH MACHINED	
		ENG DWG		PART NO.		MATERIAL STAINLESS, SILICONE	

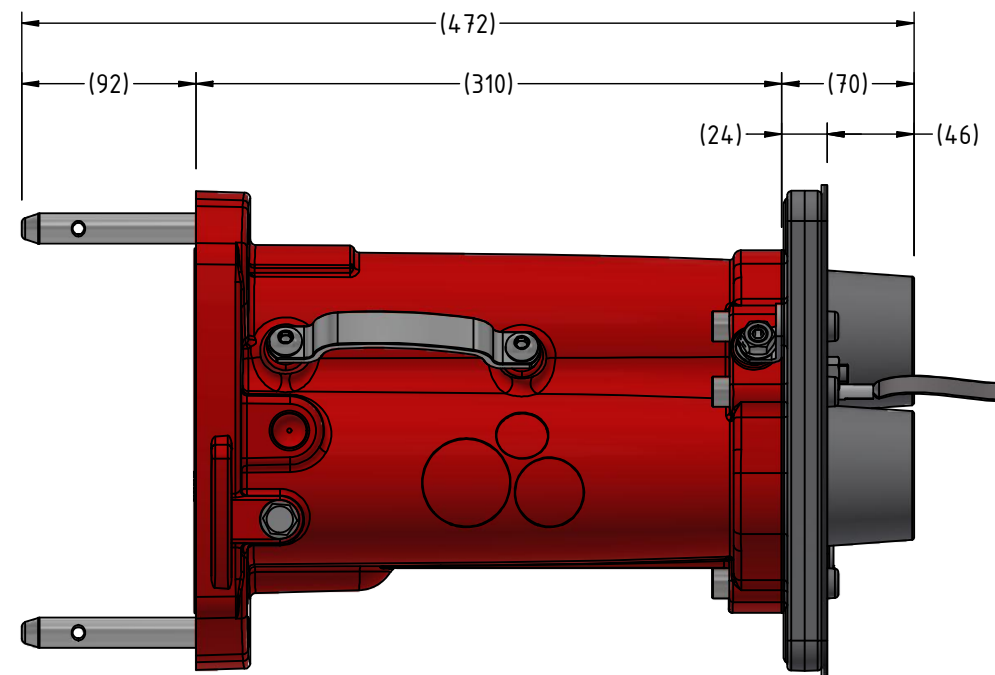
RESIN FILLED ADAPTOR



ISOMETRIC VIEW



FRONT VIEW



SIDE VIEW



DRAWN BY
L.BELL
APPROVED BY
C.TAYLOR
SHEET
7 OF 8
ENG DWG

PART NAME
114BKA - PRODUCT DIMENSIONS
DRAWN DATE
18/09/2023
DRAWING NOT TO SCALE
Request Dimensions If In Doubt
PART NO.

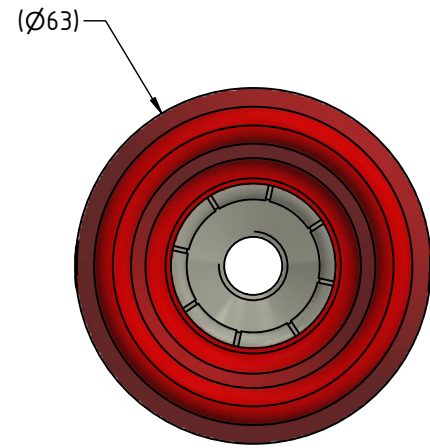
SURFACE FINISH
MACHINED, PAINTED
MATERIAL
ALUMINIUM, SILICONE, STAINLESS

REVISION HISTORY		
REV	DESCRIPTION	DATE
3	ADDED HOLE PLACEMENT SPECS FOR ADAPTOR FLANGE	16/04/2026
2	ADDED RESIN FILLED ADAPTOR TO SHEET 6	26/02/2025
1	INITIAL RELEASE	18/09/2023

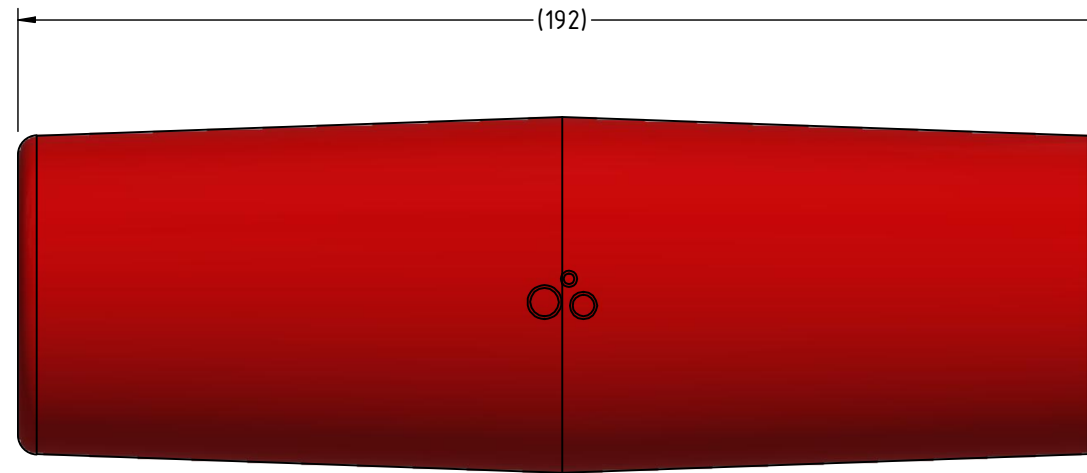
SIZE
A3
UNLESS OTHERWISE SPECIFIED
DIMENSIONS (Metric-millimetre-mm)
ALL SURFACE FINISHES TO



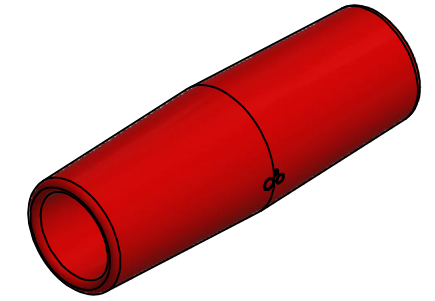
PHASE CONNECTOR



FRONT VIEW

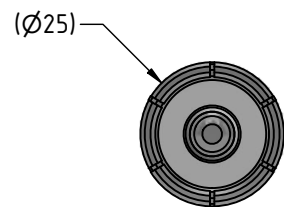


SIDE VIEW

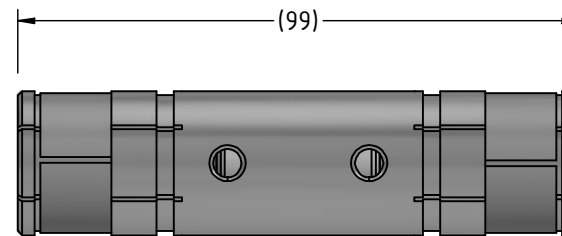


ISOMETRIC VIEW

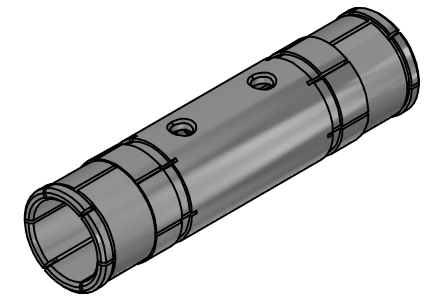
EARTH PILOT CONNECTOR



FRONT VIEW



SIDE VIEW



ISOMETRIC VIEW



DRAWN BY
L.BELL

PART NAME
114BKA - PRODUCT DIMENSIONS

APPROVED BY
C.TAYLOR

DRAWN DATE
18/09/2023

SURFACE FINISH
MACHINED, MOULDED

SHEET
8 OF 8

DRAWING NOT TO SCALE
Request Dimensions If In Doubt

MATERIAL
SILICONE, COPPER, ALUMINIUM, STAINLESS

REVISION HISTORY		
REV	DESCRIPTION	DATE
3	ADDED HOLE PLACEMENT SPECS FOR ADAPTOR FLANGE	16/04/2026
2	ADDED RESIN FILLED ADAPTOR TO SHEET 6	26/02/2025
1	INITIAL RELEASE	18/09/2023

SIZE
A3

UNLESS OTHERWISE SPECIFIED
DIMENSIONS (Metric-millimetre-mm)

ALL SURFACE FINISHES TO



ENG DWG