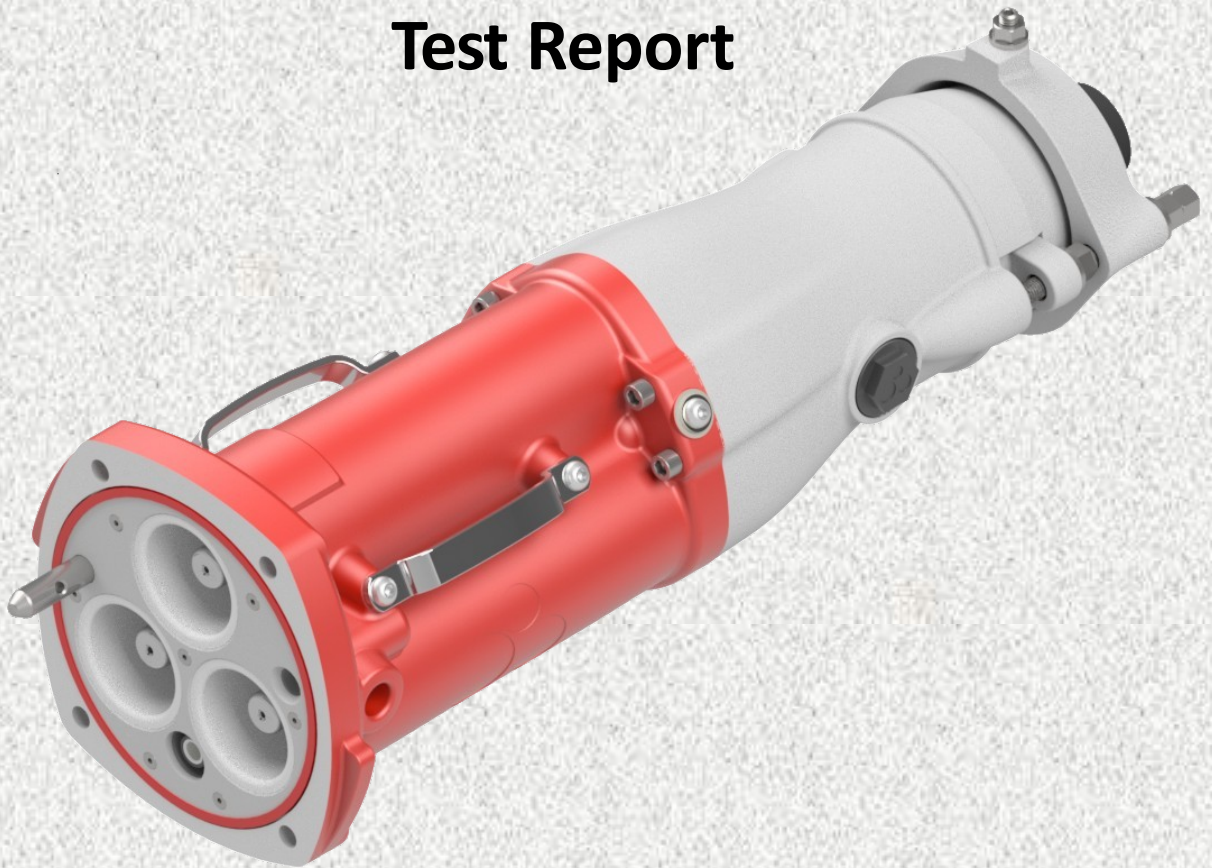




**11kV / 15kV
800 AMP Coupler and Adaptor
Test Report**



Pioneering the Difference.

Theory 1.9.2	Developed by	Philip Marks
	DIN	RD_1069
	Version	2



Test Report

DATE ISSUED:	11 November 2023
DEVICE TESTED:	AusProof 11 kV / 15 kV 800 A Coupler
RANGE NUMBERS:	114BKA, 118BKA, 15BU, 15BUMT, 15BUMTE, 15BUFO
CLIENT'S NAME:	AusProof Pty Ltd 6 Shona Avenue Gladstone Queensland 4680 Australia
CLIENT'S REFERENCE:	Email: Clinton Taylor
TEST SPECIFICATION:	Client specification including references to AS/NZS 1300, AS/NZS 1299, C22.2 No 298, AS/NZS 1802, AS/NZS 2802, IEEE 386 and IEEE 404
DATE OF TEST COMPLETION:	22 November 2022
SUMMARY OF RESULTS:	The sample device tested complied with the requirements of the above test specification.



All tests reported herein have been performed in accordance with the Laboratory's scope of accreditation, Accreditation Number: 42

Approved Signatory: K Manson



Checked By: G I Dix



International Accreditation New Zealand (IANZ) has a Mutual Recognition Arrangement (MRA) with the National Association of Testing Authorities (NATA), Australia, such that both organizations recognize accreditations by IANZ and NATA as being equivalent. Users of inspection reports / certificates are recommended to accept inspection reports / certificates in the name of either accrediting body.

PowerLab Limited, PO Box 31034 Christchurch 8444 New Zealand, 5 Sheffield Crescent Christchurch New Zealand, Info@powerlab.co.nz. This Report must not be quoted except in full.

Testing notes

The following personnel were present during testing:

Laboratory staff: K Manson and G I Dix

Tests Performed

Test number	Test	Standard/Clause	Test value
1	Phase to phase + earth AC 50 Hz 4 hours	C22.2 No. 298 AS/NZS 1299 AS/NZS 1300 AS/NZS 1802 AS/NZS 2802 IEEE 386 IEEE 404	35 kV for 4 hours
2	Pilot to earth 50 Hz	AS/NZS 1300 AS/NZS 1299	1000 V for 1 minute
3	Impulse	AS/NZS 1300 AS/NZS 1299	110 kV
4	Partial Discharge	AS/NZS 1300 AS/NZS 1299 C22.2 No. 298	Inception and extinction 10% greater than 8.66 kV, Max 100 pC
5	Ingress protection	AS 60529	IP68
6	Short circuit test (phase)	AS/NZS 1300 AS/NZS 1299 C22.2 No. 298	20 kA for 1.0 s
7	Bonding (earth) path current test	C22.2 No. 298	5.01 kA for 9 s
8	Temperature rise	ASNZS1300 ASNZS1299	800 A

Test Laboratory Atmospheric Conditions

Temperature 12 (± 5)°C.

Pressure 100 (± 5) kPa

(Approximate height above local sea level is 30 m).

Laboratory Equipment

Ferranti inverted Marx impulse generator configured with 3 stages rated at 100 kV, 0.24 μ F per stage;

Laboratory manufactured adjustable transfer, tail and front resistors;

Laboratory manufactured impulse generator control and firing equipment;

Haefely 600 kV peak capacitor voltage divider/chopping gap;

Report Number: PL1792 11-15kV Issue 2

Haefely 64M Impulse Peak Voltmeter;
Manually set 25cm sphere-gap;
Biddle balanced partial discharge detector 665700 (Zm, PDS)
Biddle partial discharge system master calibrator 6617250
Oscilloscope
Heafely 2000 pF discharge free 200 kV capacitor (Ck).
Hipotronics 150 kV 150 kVA ac dielectric test set
Resistive voltage divider and true RMS indicator (Hipotronics KVM300)
Fluke 287 DVM
Tektronix TDS3034 Four Channel digitizing oscilloscope;
11 kV/440 V short circuit transformer
20,000/5 CT
1000/5 CT
Laboratory constructed point on wave switch
Inductors and Resistors
Laboratory manufactured current viewing resistor; and
Miscellaneous laboratory equipment including: assman hygrometer, barometer, and a mercury-in-glass thermometer.
Agilent 34970A data acquisition system

Measurement Uncertainties

Refer to the Laboratory accreditation details at www.ianz.govt.nz for information on measurement uncertainty.

Coupler test connection, terminations and fittings

The sample coupler assemblies tested were terminated with Client supplied cables and fittings

Although these are required for testing, they are not considered to be part of the sample device tested.

Test procedures, Results

1. AC Voltage withstand test (phase conductors)

The specified test voltage was applied between the specified conductors and the coupler body using a Hipotronics 150 kV 150 kVA ac dielectric test set operated from the laboratory mains supply. The voltage was measured using a resistive voltage divider and true RMS indicator (Hipotronics KVM300). A stopwatch was used to monitor time of application.

35 kV rms was applied between the conductors and the coupler body for a period of 4 hours.

During the high voltage test no disruptive discharges, - flashovers or insulation punctures were noted.

The insulation resistance was greater than 1 GΩ, each phase to earth.

Result:

Complies

2. AC Voltage withstand test (pilot conductors)

The specified test voltage was applied between the specified conductors and the coupler body using a Hipotronics 150 kV 150 kVA ac dielectric test set operated from the laboratory mains supply. The voltage was measured using a resistive voltage divider and true RMS indicator (Hipotronics KVM300). A stopwatch was used to monitor time of application.

1 kV rms was applied between the pilot conductor and the coupler body for a period of 1 minute.

During the high voltage test no disruptive discharges, - flashovers or insulation punctures were noted.

Result:

Complies

3. Impulse test

A Ferranti impulse generator with a Haefley voltage divider and peak voltmeter was used. The wave shape was adjusted by means of interchangeable front and tail resistors to be within the allowed tolerances.

Ten impulses of each polarity were applied as specified in the Standard. Each impulse was monitored by digital comparison with a stored reference.

The applied impulse was monitored using a Tektronix digitising oscilloscope.

Wave shape was 1.0/44 μs. Refer to oscillogram included in this report

The test voltage was 110 kV peak.

During the application the 110 kV impulses no disruptive discharges, flashovers or insulation punctures were noted.

Result:

Complies

4. Partial discharge test

The specified test voltage was applied between the conductors and the coupler body using a Hipotronics 150 kV 150 kVA ac dielectric test set operated from the laboratory mains supply. The voltage was measured using a resistive voltage divider and true RMS indicator (Hipotronics KVM300).

Discharge levels were measured using a Biddle balanced bridge discharge detector. The bridge was balanced according to the bridge manufacturer's instructions. The measurements system was calibrated by injecting a known discharge between the conductor and the cable sheath. The system calibration was checked at 10 pC and at 100 pC. Background discharge levels were recorded. Discharge levels were measured using an oscilloscope and the bridge meter.

Background discharge level was less than 1 pC

	Voltage (kV)	Discharge Level
Inception	12.0	>1000 pC after inception
Extinction	10.4	< 1 pC after extinction

Result:

Complies

5. Ingress Protection

Coupler assemblies were assessed according to AS 60529 to determine compliance with IP 68.

Equipment Details:

Coupler Unit 5

1x Half Coupler Body

1x KAN Housing

1x Insulated End Cover with Diode Box

Coupler Unit 6

1x Half Coupler Body

1x KA Housing

1x Cast Protection Cover

CI 13.3		Ingress of Solid Objects Test (AS 60529)			P
Ingress Test Performed	Location of probe applied	Force applied (N)	Clearance measured	Verdict	
Unit 5					
IP1X	Enclosure Ends, Cable Rubber Entry, Bungs, Cover Cap.	50	No entry/damage	P	
IP2X	Enclosure Ends, Cable Rubber Entry, Bungs, Cover Cap.	30	No entry/damage	P	
IP3X	Enclosure Ends, Cable Rubber Entry, Bungs, Cover Cap.	3	No entry/damage	P	
IP4X	Enclosure Ends, Cable Rubber Entry, Bungs, Cover Cap.	1	No entry/damage	P	
Unit 6					
IP1X	Enclosure Ends, Cable Rubber Entry, Bungs.	50	No entry/damage	P	
IP2X	Enclosure Ends, Cable Rubber Entry, Bungs.	30	No entry/damage	P	
IP3X	Enclosure Ends, Cable Rubber Entry, Bungs.	3	No entry/damage	P	
IP4X	Enclosure Ends, Cable Rubber Entry, Bungs.	1	No entry/damage	P	

CI 13.6		Ingress of Dust Test (AS 60529)			P
EUT identification	Degree of protection (Dust)	Duration of test (hr)	Ambient temperature (°C)	EUT ambient (°C)	Verdict
Unit 5	IP6X	6.0	15.2	20.7	P
Unit 6	IP6X	6.0	15.1	20.1	P

CI 14.3		Ingress of Water Test (AS 60529)				P
EUT identification	Degree of protection (Water)	Depth of EUT from surface (m)	Duration of test (min)	Ambient temperature (°C)	Water Ambient temperature (°C)	Verdict
Unit 5	IPX8	1.1	60.0	15.3	18.2	P
Unit 6	IPX8	1.1	60.0	15.1	17.3	P

Result

Complies

6. Short-circuit (though-fault) test

The device was subjected to the test currents by use of a step down three phase transformer and inductors from an 11 kV supply and a phase controlled on switch and time controlled off circuit breaker:

Test 20 kA 0.2 s

Results: 0.22 s, 20.7 kA, n=1.9 (power factor = 0.3), 50 Hz, mean of 3 tests applied with 10 minutes between. Refer to Figure 1.

Test 20 kA 1.0 s

Results: 1.04 s, 20.8 kA, n=1.9 (power factor = 0.3), 50 Hz. Refer to Figure 2.

After current applications, there were no visible disturbance, pitting or burning.

Result

Complies

7. Bonding (earth) path current test

The earth continuity circuit was subjected to the following current waveform by use of a step down transformer and inductors from an 11kV supply and a phase controlled on switch and time controlled off circuit breaker:

Test 5.01 kA for 9 s

Results: 9.0 s, 5.1 kA, n=2.0, 50 Hz. Refer to Figure 3.

The earth continuity was measured on test completion.

After the current application the measured continuity was 0.0001 Ω.

Result

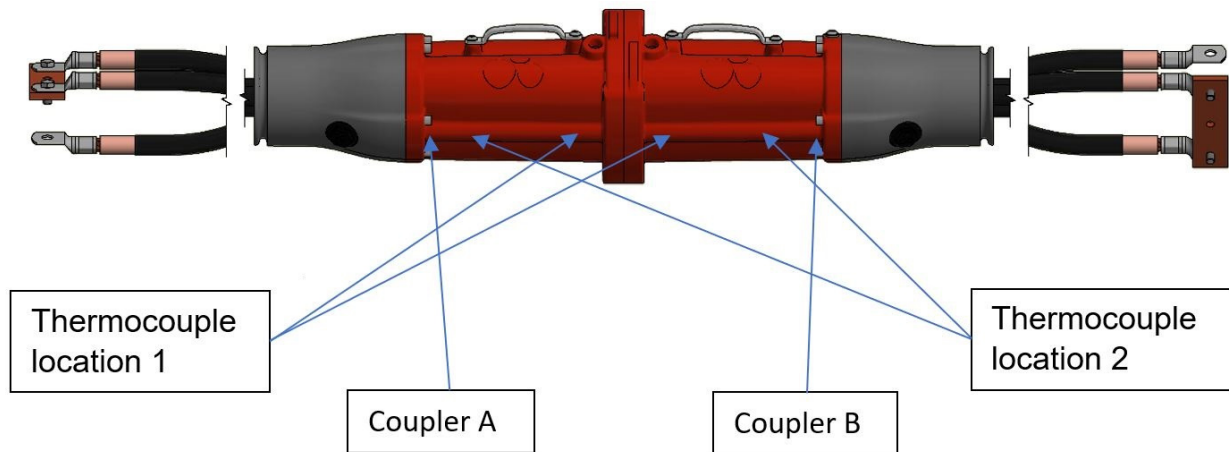
Complies

8. Temperature rise

All conductors were connected in series and thermocouples were placed as required by Clause 3.3.8.4 of AS/NZS 1300.

Thermocouple locations included:

- (a) Main contact adjacent to connecting device (1)
- (b) Main contact adjacent to cable conductor (2)
- (c) Cable conductor 1 m from cable gland



Location	Coupler	Thermocouple location	Phase ID
A	A	1	White
B	A	2	White
C	A	1	Blue
D	A	2	Blue
E	A	1	Red
F	A	2	Red
G	B	1	Blue
H	B	2	Blue
I	B	1	Red
J	B	2	Red
K	B	1	White
L	B	2	White

A current of 800 A was passed through the test object until the temperature variation did not exceed 2 K/h.

Location	A	B	C	D	E	F	G	H	I	J	K	L
Rise	33.2	30.7	34.0	31.1	30.6	34.7	33.1	30.4	32	32.3	34.4	31.3
Difference from cable	8.4	5.9	9.2	6.3	5.8	9.9	8.3	5.6	7.2	7.5	9.6	6.5

(Values are degrees Kelvin)

Result

Complies

Oscillograms

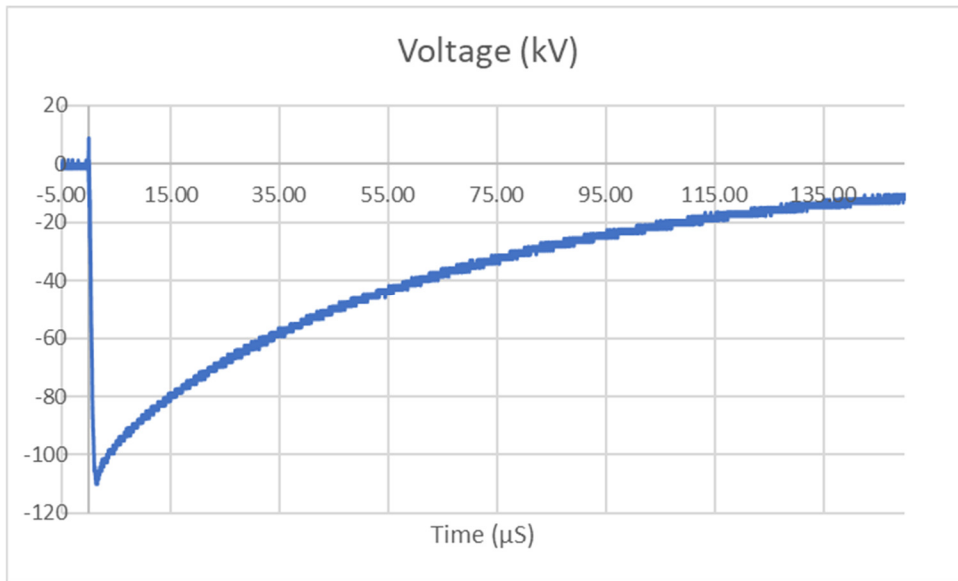


Figure 1 Last 110 kV impulse

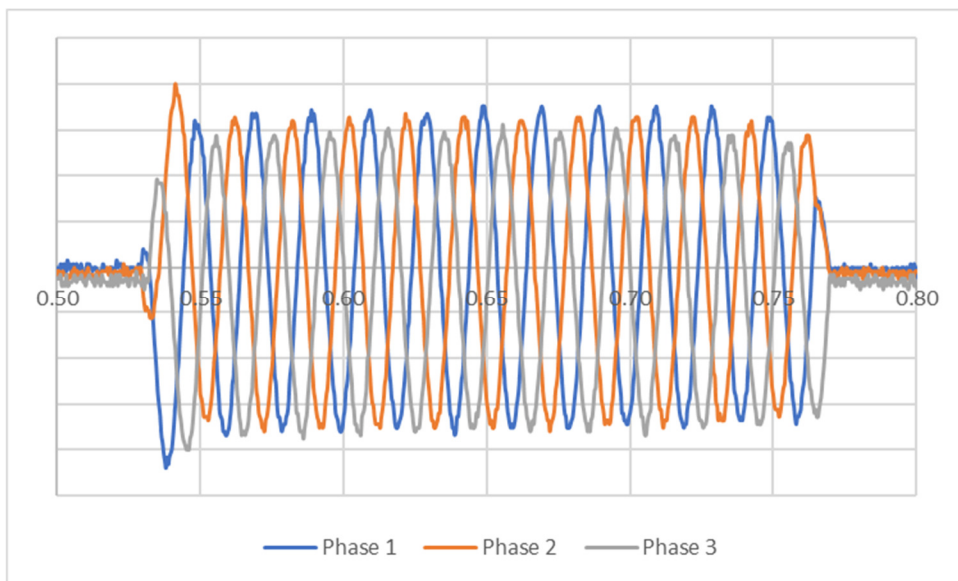


Figure 2 20 kA for 0.2 s short circuit test number 3

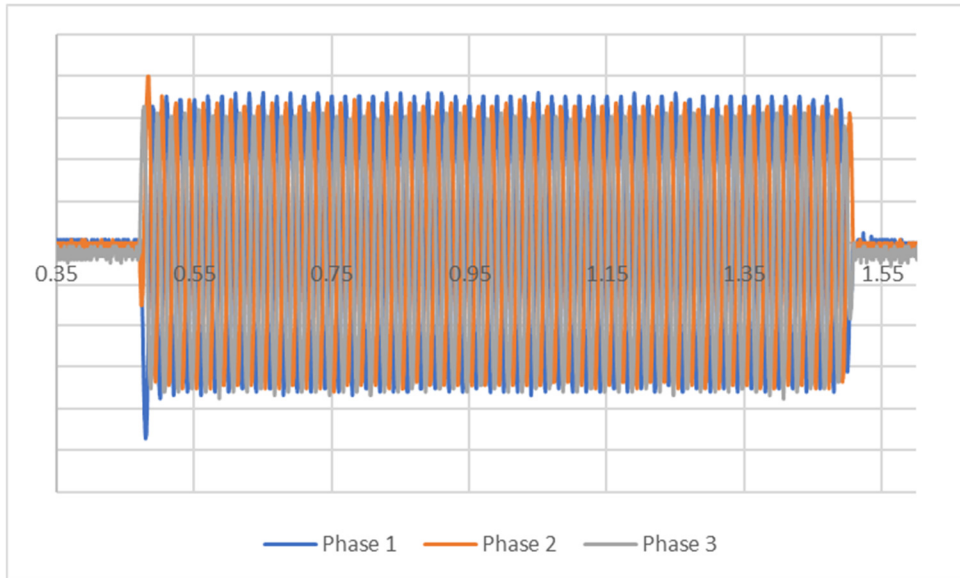


Figure 3 20 kA for 1 s short circuit test

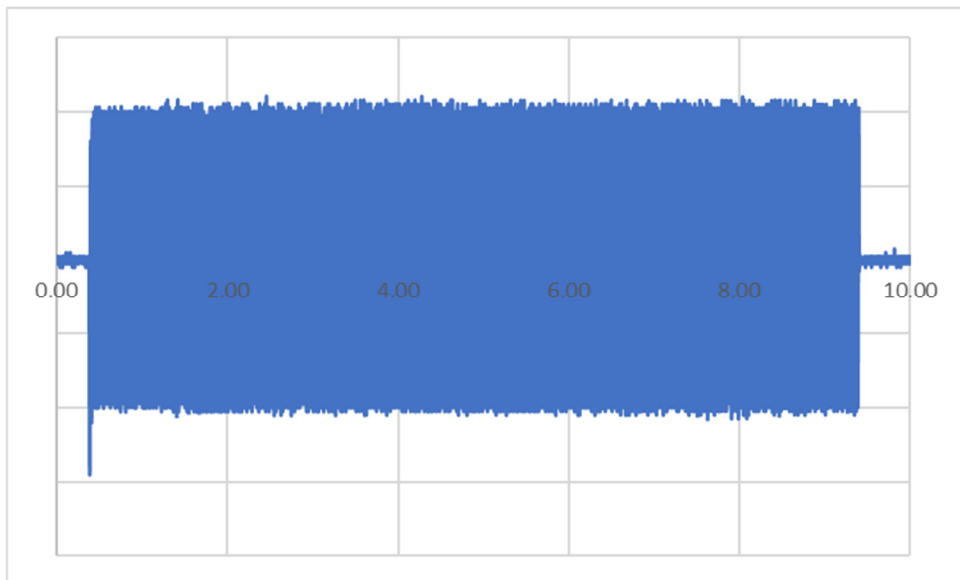
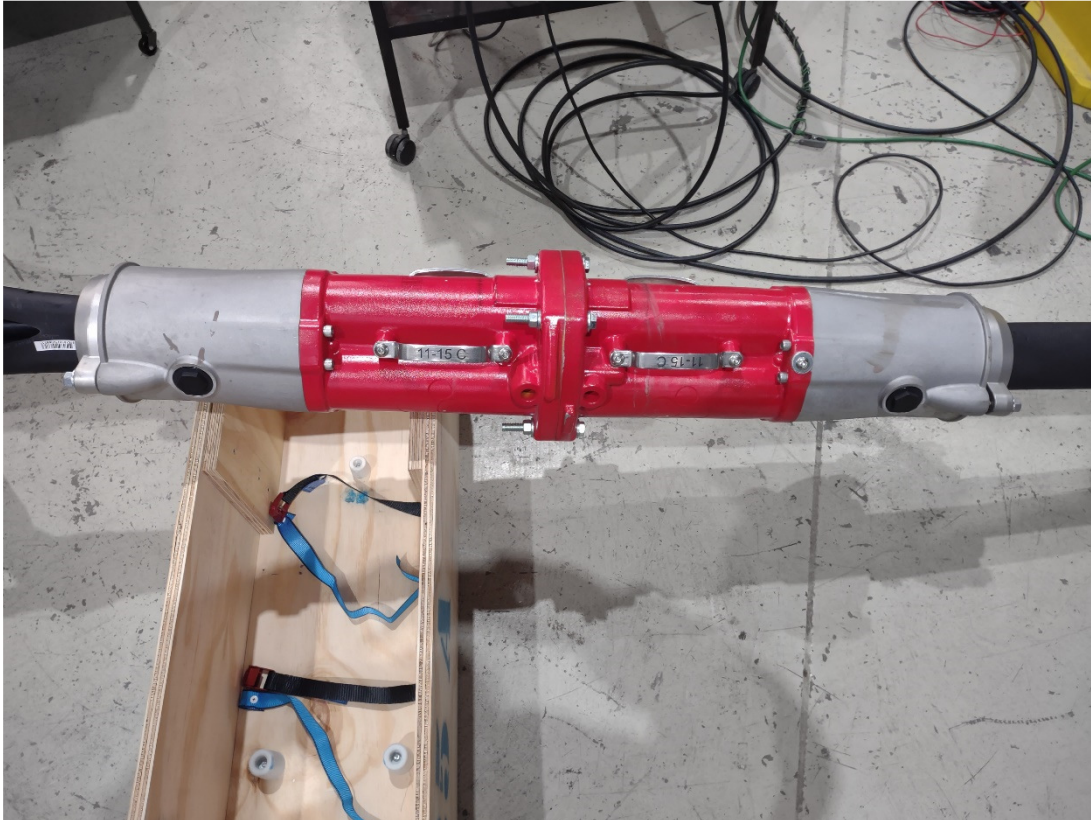


Figure 4 5 kA for 9 s short circuit test

Pictures:



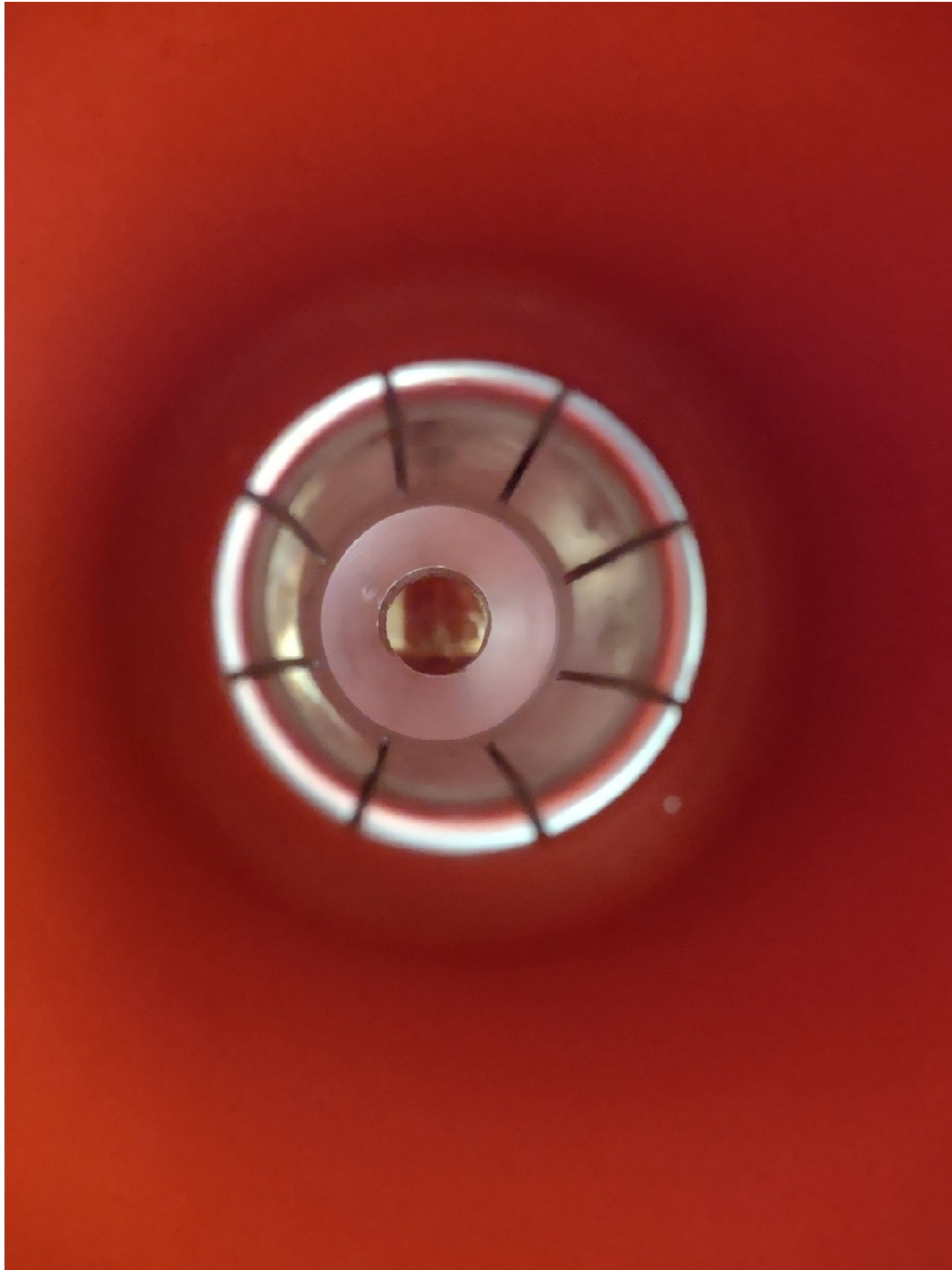
Picture 1 General view of coupler



Picture 2 Coupler in dust test



Picture 3 Coupler in 1 m water



Picture 4 Contacts after short circuit test

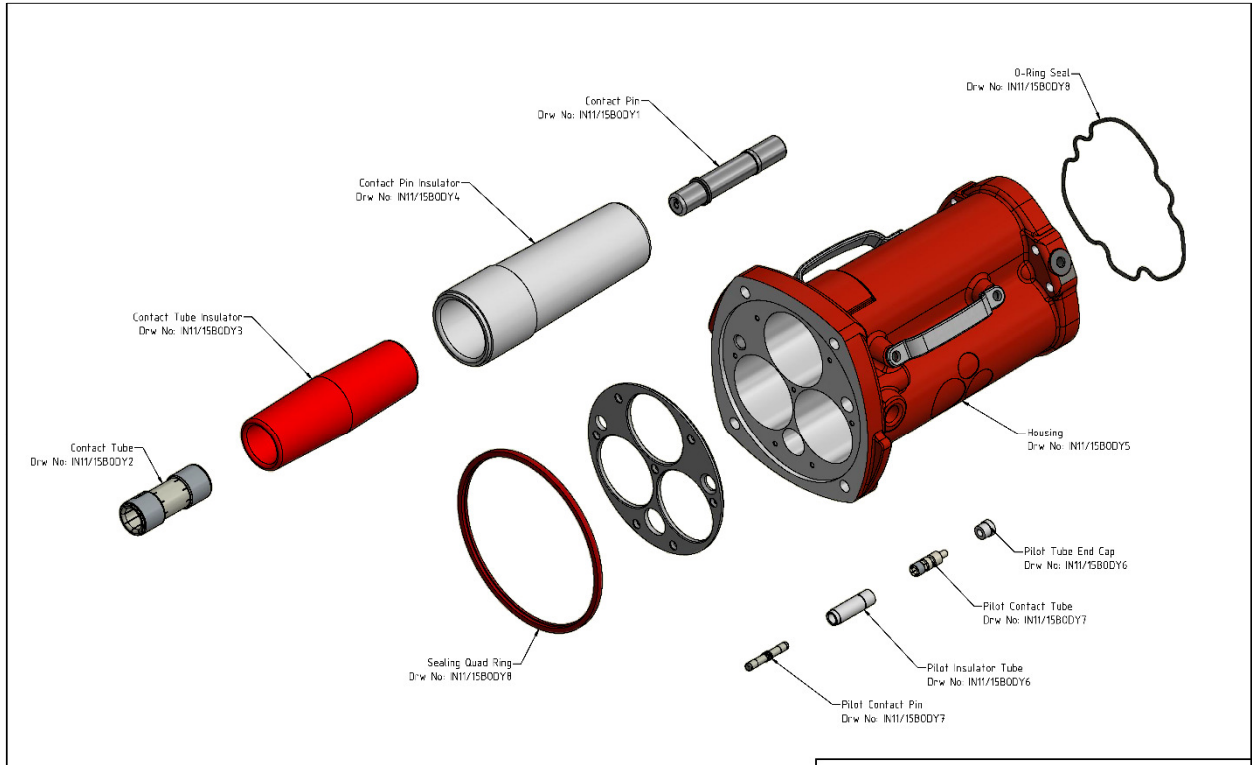


Picture 5 Contacts after short circuit test

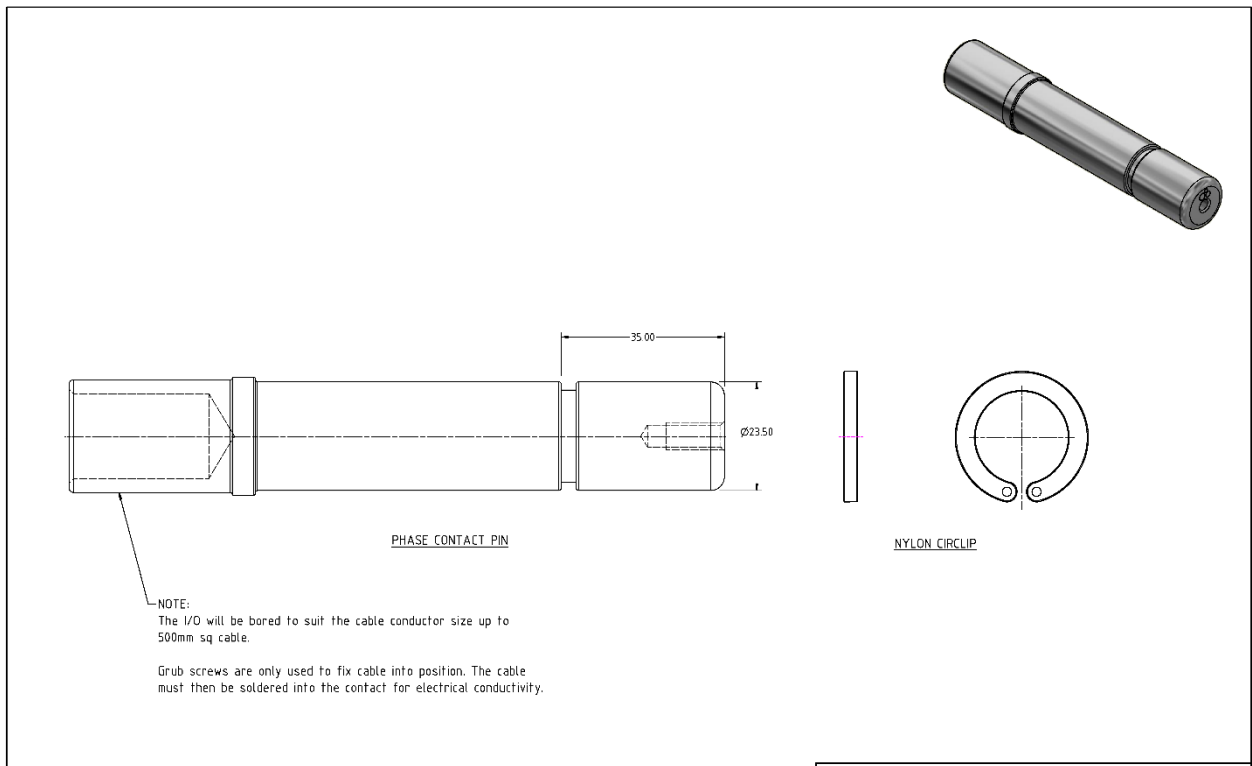
Drawings:

List of drawings:

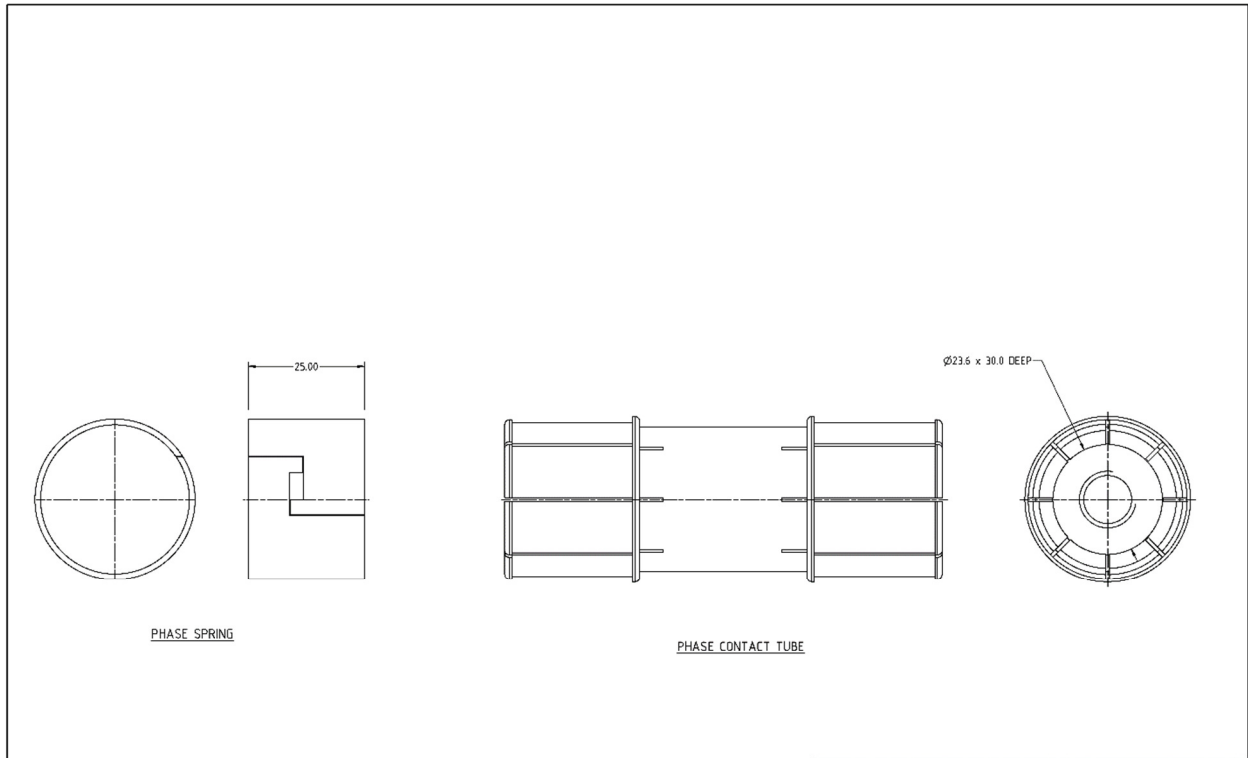
No	Drawing No.	Title	Revision	Date
1	IN11-15BODY	Cable coupler & components	2	15/11/2023
2	IN11-15BODY1	Phase contact pin	2	15/11/2023
3	IN11-15BODY2	Phase contact tube	2	15/11/2023
4	IN11-15BODY3	Phase Tube insulator	2	15/11/2023
5	IN11-15BODY4	Phase Pin insulator	2	15/11/2023
6	IN11-15BODY5	Housing	2	15/11/2023
7	IN11-15BODY6	Pilot Insulator tube	2	15/11/2023
8	IN11-15BODY7	Pilot Pin/Tube	2	15/11/2023
9	IN11-15BODY8	Sealing quad ring/O-ring seal	2	15/11/2023
10	IN11-15COVER	End covers & components	1	07/11/2023
11	IN11-15COVER1	Cast pro cover	1	07/11/2023
12	IN11-15COVER2	Insulated end cover	1	07/11/2023
13	IN11-15COVER3	Universal End Cover Cast Box	1	07/11/2023
14	IN11-15COVER4	Sealing quad ring/O-ring seal	1	07/11/2023
15	IN11-15COVER5	End cover plug	1	07/11/2023
16	IN11-15GLANDKA	KA Glands & components	1	15/11/2023
17	IN11-15GLANDKA1	KA Small/KA Large	1	15/11/2023
18	IN11-15GLANDKA2	KA OCS Comp ring/KA OCL Comp ring	1	15/11/2023
19	IN11-15GLANDKA3	KA OCS Pressure ring/KA OCL Pressure ring	1	15/11/2023
20	IN11-15GLANDKA4	Filler bung/O-ring	1	15/11/2023
21	IN11-15GLANDKAN	KAN Glands & components	1	07/11/2023
22	IN11-15GLANDKAN1	KAN Small Housing/KAN Large Housing	1	07/11/2023
23	IN11-15GLANDKAN2	KAN Small Comp washer/KAN Large Comp washer	1	07/11/2023
24	IN11-15GLANDKAN3	KAN OCS Comp ring/KAN OCL Comp ring	1	07/11/2023
25	IN11-15GLANDKAN4	KAN Small ss comp ring/KAN Large ss comp ring	1	07/11/2023
26	IN11-15GLANDKAN5	Filler bung/O-ring	1	07/11/2023



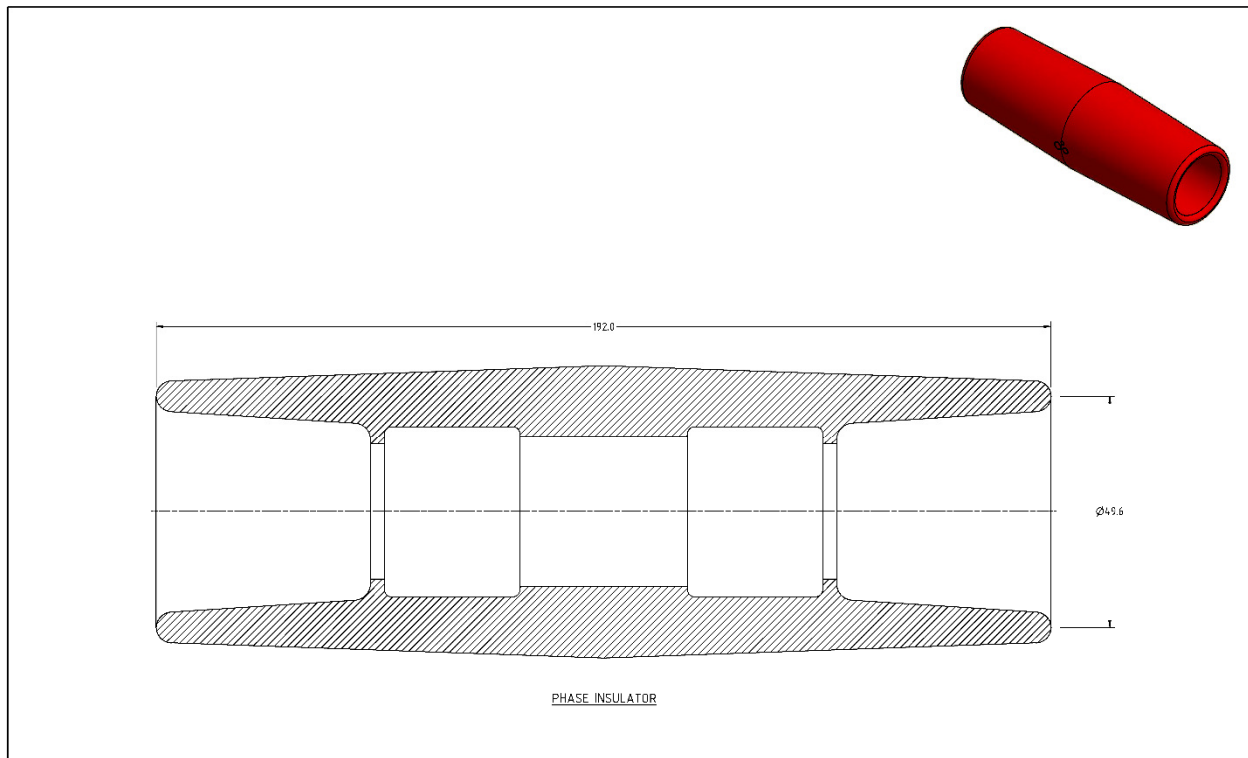
AusProof PTY LTD		DESIGNED BY D.MINENKO	PART NAME 11/15 KV BODY EXPLODED VIEW	DATE 11/01/2022	SCALE 1:1
COPYRIGHT RESERVED		ENGINEERED BY C.TAYLOR	PROJ. NO. 11/15KV	REV T	DESCRIPTION Original
DIMENSIONS (Metric) (mm)		SHEET 1 OF 9	REVISION HISTORY		
LESS DIMENSIONS SPECIFIED		DATE 11/01/2022	DESCRIPTION	DATE	
ALL SURFACES TO UNLESS OTHERWISE NOTED		PROJ. NO. 11/15KV	Original	11/01/2022	



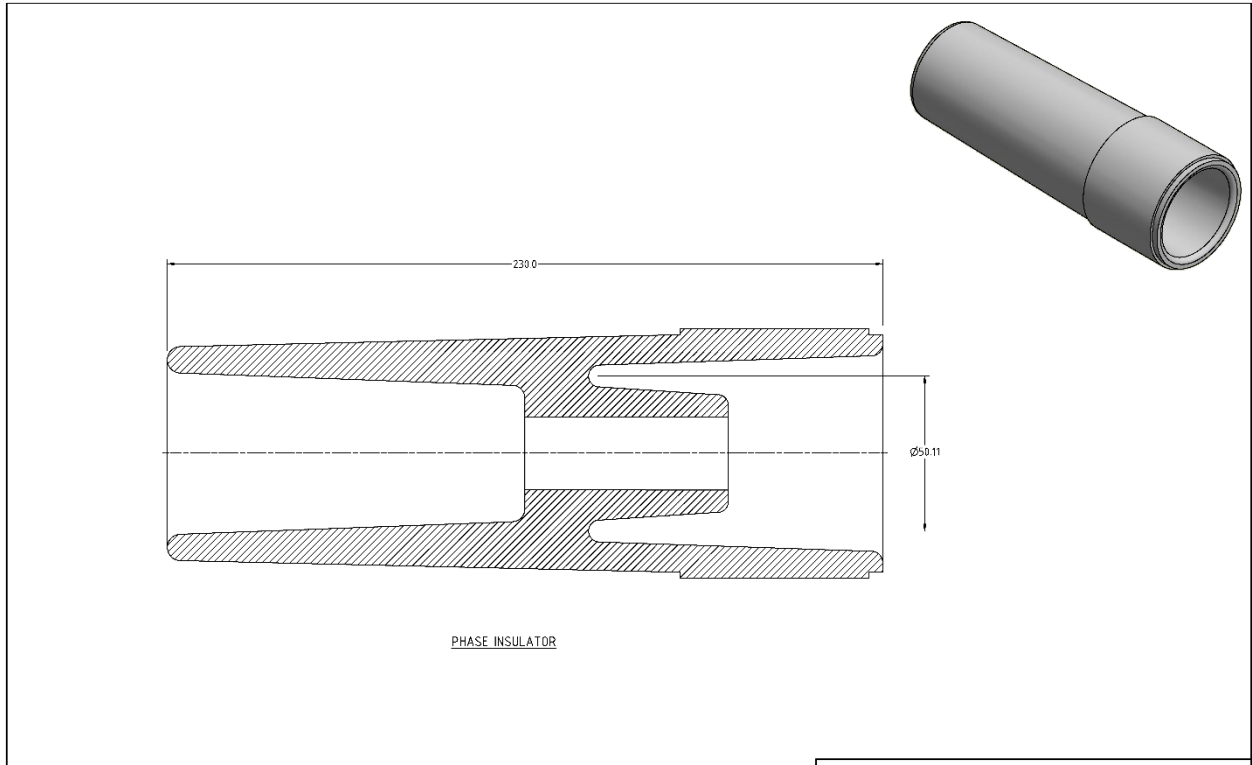
AusProof PTY LTD		DESIGNED BY D.MINENKO	PART NAME 11/15 KV BODY EXPLODED VIEW	DATE 11/01/2022	SCALE 1:1
COPYRIGHT RESERVED		ENGINEERED BY C.TAYLOR	PROJ. NO. 11/15KV	REV T	DESCRIPTION Original
DIMENSIONS (Metric) (mm)		SHEET 2 OF 9	REVISION HISTORY		
LESS DIMENSIONS SPECIFIED		DATE 11/01/2022	DESCRIPTION	DATE	
ALL SURFACES TO UNLESS OTHERWISE NOTED		PROJ. NO. 11/15KV	Original	11/01/2022	



AusProof PTY LTD		DESIGNED BY D.MINENKO	PART NAME 11/15 KV BODY EXPLODED VIEW		
© COPYRIGHT RESERVED		APPROVED BY C.TAYLOR	DESIGN DATE 11/01/2022	SUBMIT: 11/01/2022	
DIPROOFING (Metric or (imperial mm) <small>LESS DIFFERENCES SPECIFIED</small>)		SHEET 3 OF 9	ENGINEERING NO. TO GO TO INDICATE DIFFERENCES TO BE DONE	REVISION HISTORY	
ALL SURFACES TO UNLESS OTHERWISE NOTED	X.X 0.1 X.XX 0.05	1/79 A3	PART NO. IN11/15BODY2	REV 1	DESCRIPTION Original
				DATE 11/01/2022	

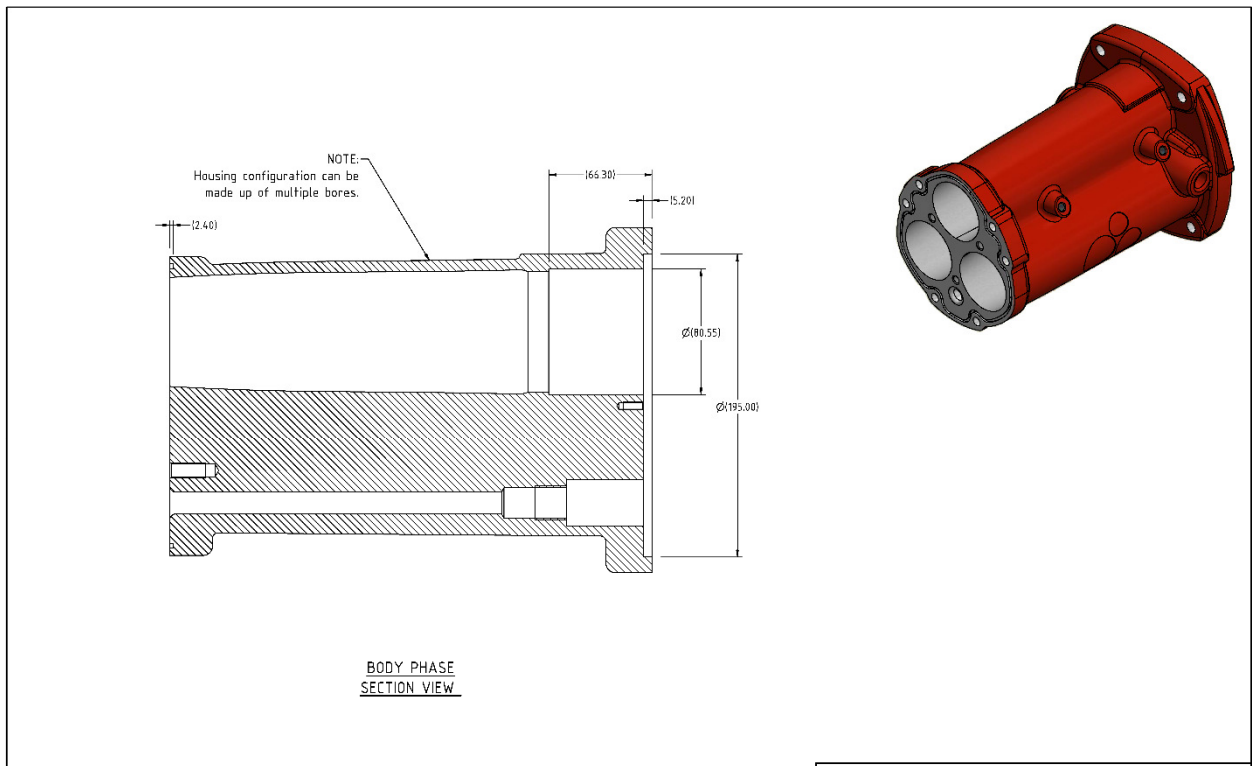


AusProof PTY LTD		DESIGNED BY D.MINENKO	PART NAME 11/15 KV BODY EXPLODED VIEW		
© COPYRIGHT RESERVED		APPROVED BY C.TAYLOR	DESIGN DATE 11/01/2022	SUBMIT: 11/01/2022	
DIPROOFING (Metric or (imperial mm) <small>LESS DIFFERENCES SPECIFIED</small>)		SHEET 4 OF 9	ENGINEERING NO. TO GO TO INDICATE DIFFERENCES TO BE DONE	REVISION HISTORY	
ALL SURFACES TO UNLESS OTHERWISE NOTED	X.X 0.1 X.XX 0.05	1/79 A3	PART NO. IN11/15BODY3	REV 1	DESCRIPTION Original
				DATE 11/01/2022	



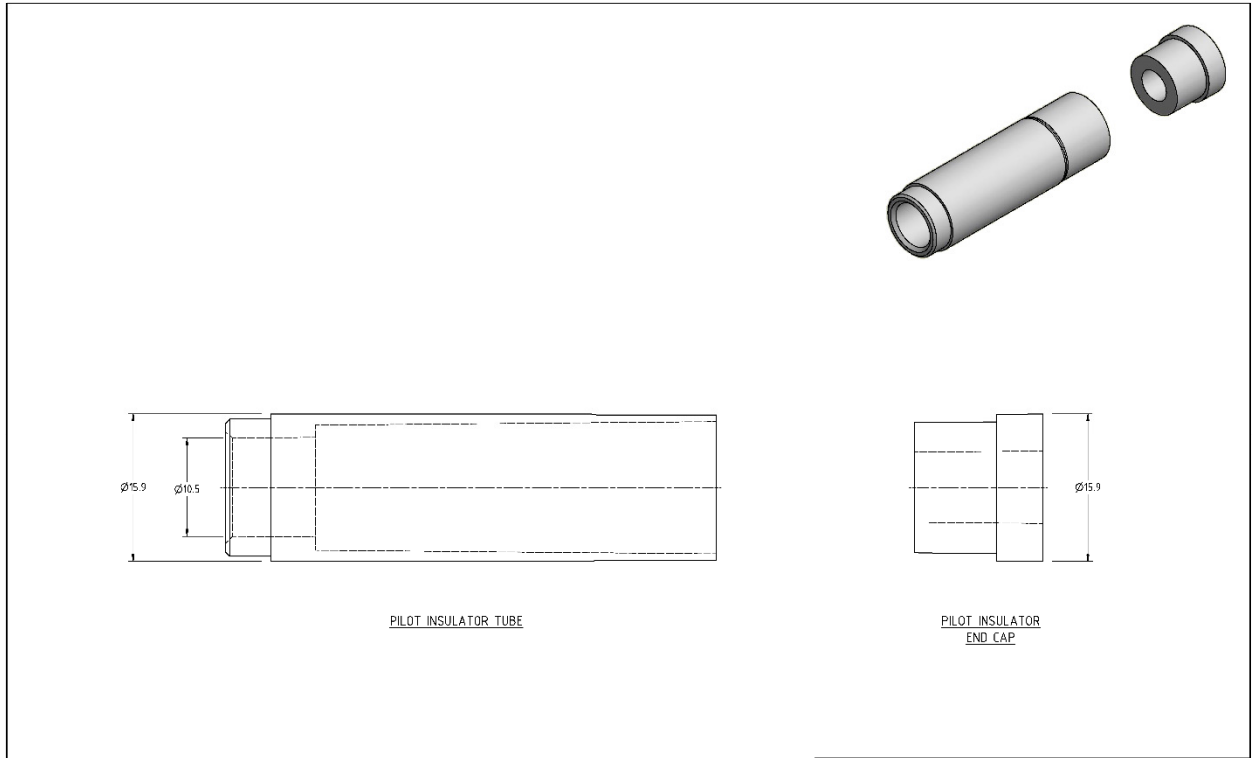
PHASE INSULATOR

AusProof PTY LTD		DESIGNED BY D.MINENKO	PART NAME 11/15 KV BODY EXPLODED VIEW	DATE 11/01/2022	SCALE SHP AC: 1:1.000
COPYRIGHT RESERVED		ENGINEER C.TAYLOR	DATE 11/01/2022		
DIMENSIONS (Metric) (mm)		SHEET 5 OF 9	DRAWING NOT TO SCALE		
LESS DIMENSIONS SPECIFIED		SIZE A3	FOR ANY DIMENSIONS IN ANOTHER		
ALL SURFACES TO UNLESS OTHERWISE NOTED		SCALE A3	PART NO. INT11/15BODY4	REA: 1818A	
					REVISION HISTORY
					REV 1
					DESCRIPTION Original
					DATE 11/01/2022

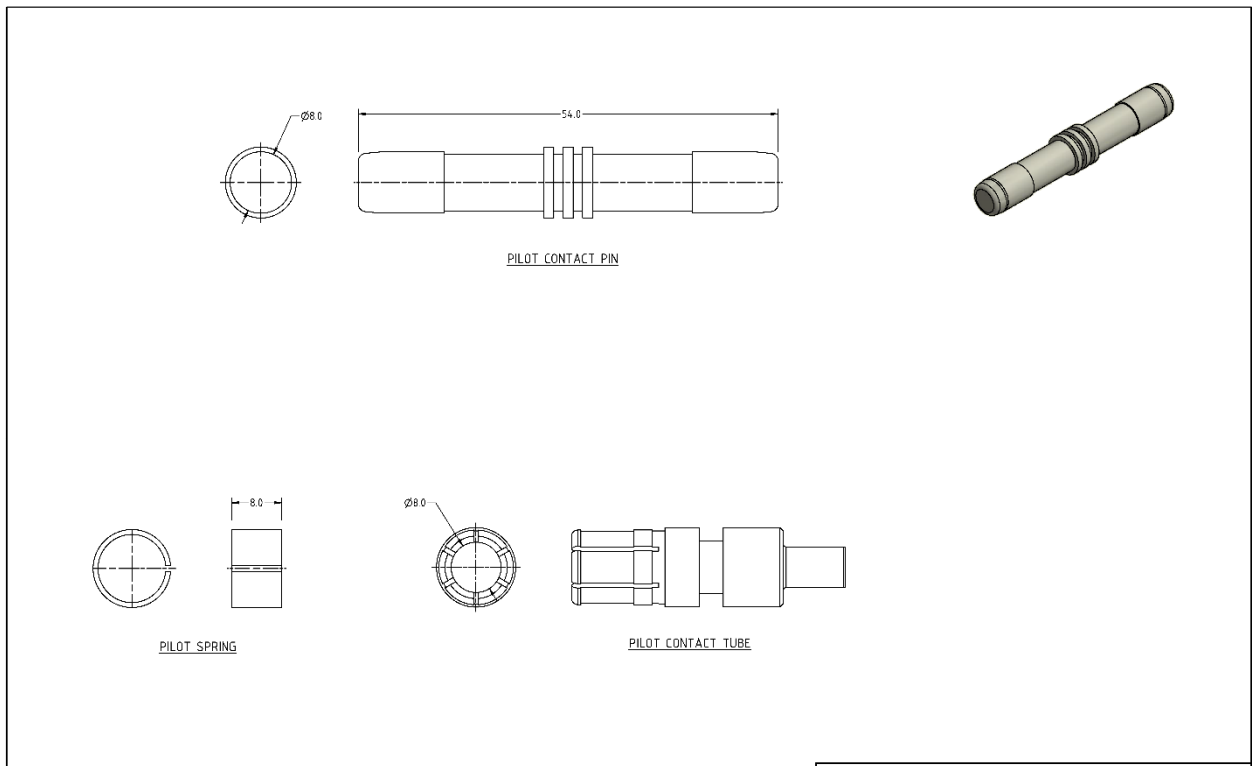


BODY PHASE
SECTION VIEW

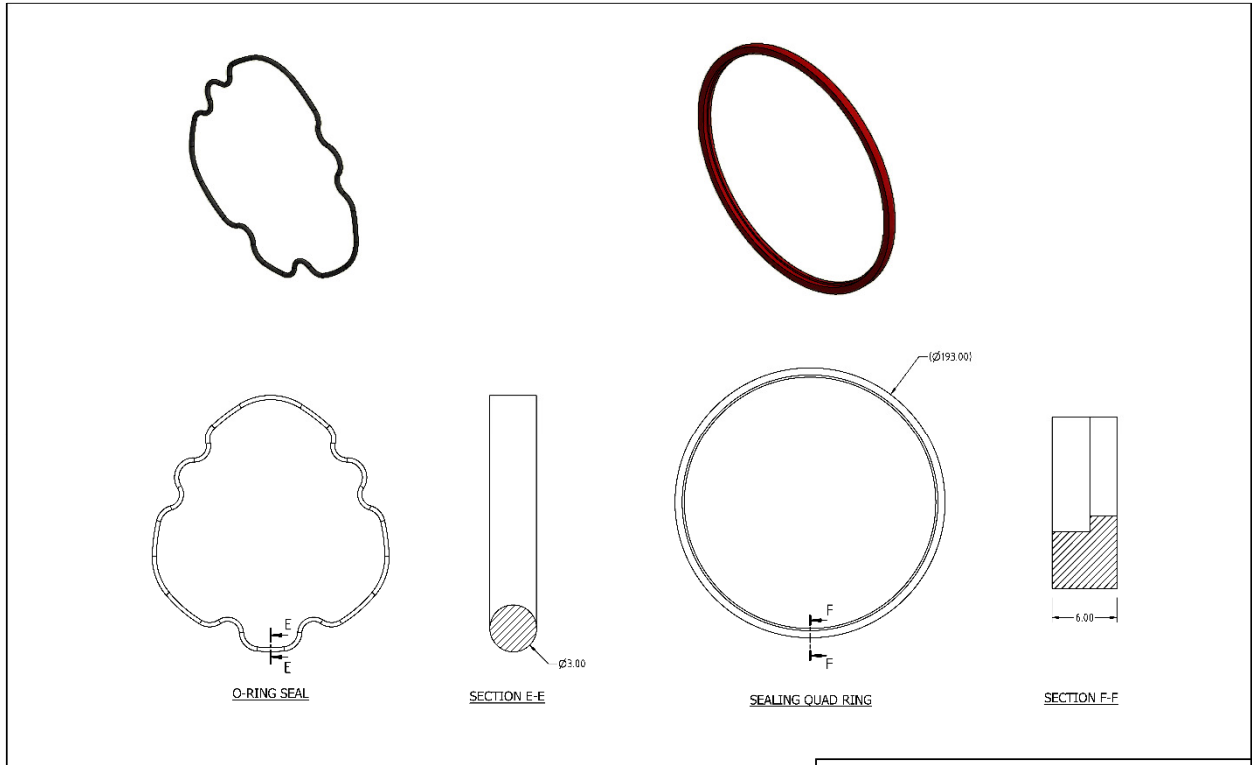
AusProof PTY LTD		DESIGNED BY D.MINENKO	PART NAME 11/15 KV BODY EXPLODED VIEW	DATE 11/01/2022	SCALE SHP AC: 1:1.000
COPYRIGHT RESERVED		ENGINEER C.TAYLOR	DATE 11/01/2022		
DIMENSIONS (Metric) (mm)		SHEET 5 OF 9	DRAWING NOT TO SCALE		
LESS DIMENSIONS SPECIFIED		SIZE A3	FOR ANY DIMENSIONS IN ANOTHER		
ALL SURFACES TO UNLESS OTHERWISE NOTED		SCALE A3	PART NO. INT11/15BODY5	REA: 1818A	
					REVISION HISTORY
					REV 1
					DESCRIPTION Original
					DATE 11/01/2022



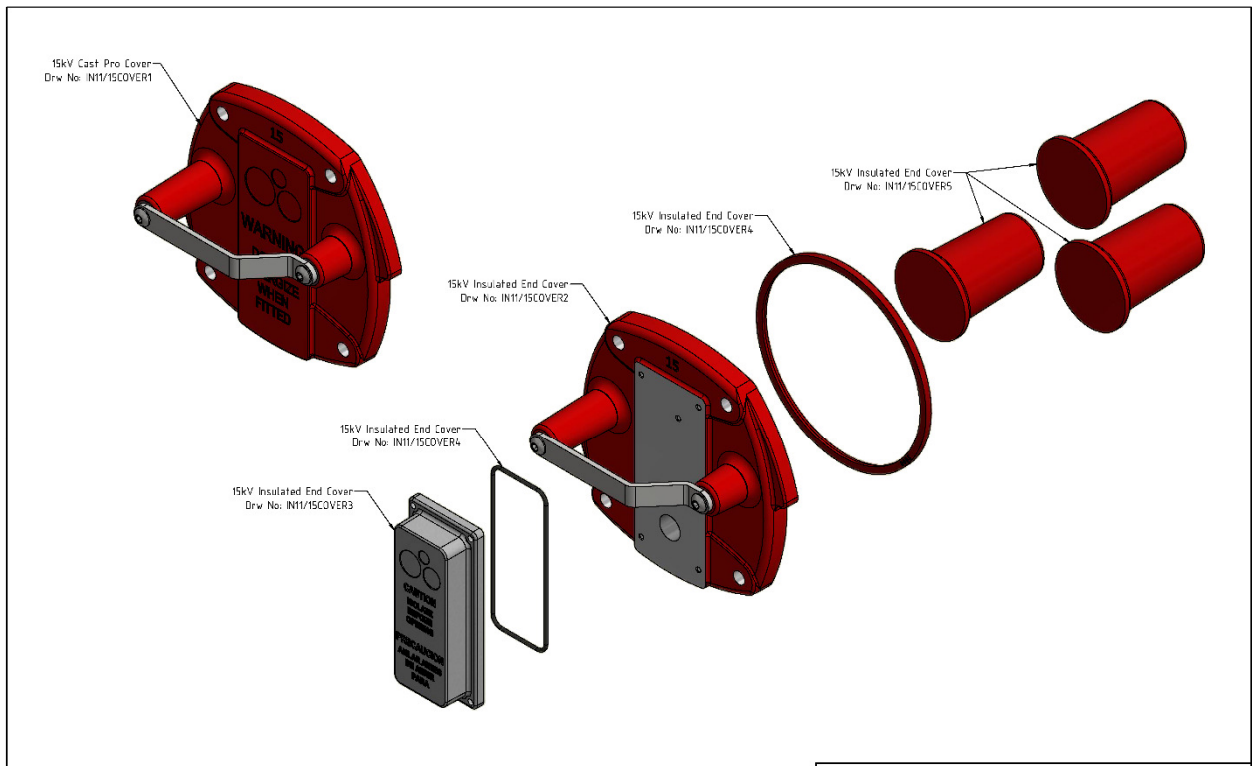
AusProof PTY LTD		DESIGNED BY D.MINENKO	PART NAME 11/15 KV BODY EXPLODED VIEW		
COPYRIGHT RESERVED		APPROVED BY C.TAYLOR	ISSUE DATE 11/01/2022	PART NO. INT11/15BODY6	
DIMENSIONS (Metric unless noted) UNLESS OTHERWISE SPECIFIED		SCALE 7 DF 9	DRAGS NOT TO SCALE REGARDING DIMENSIONS UNLESS	REVISION HISTORY	
ALL SURFACES TO UNLESS OTHERWISE NOTED		SIZE A3	MAX. AREA	REV 1	DESCRIPTION Original
				DATE 11/01/2022	



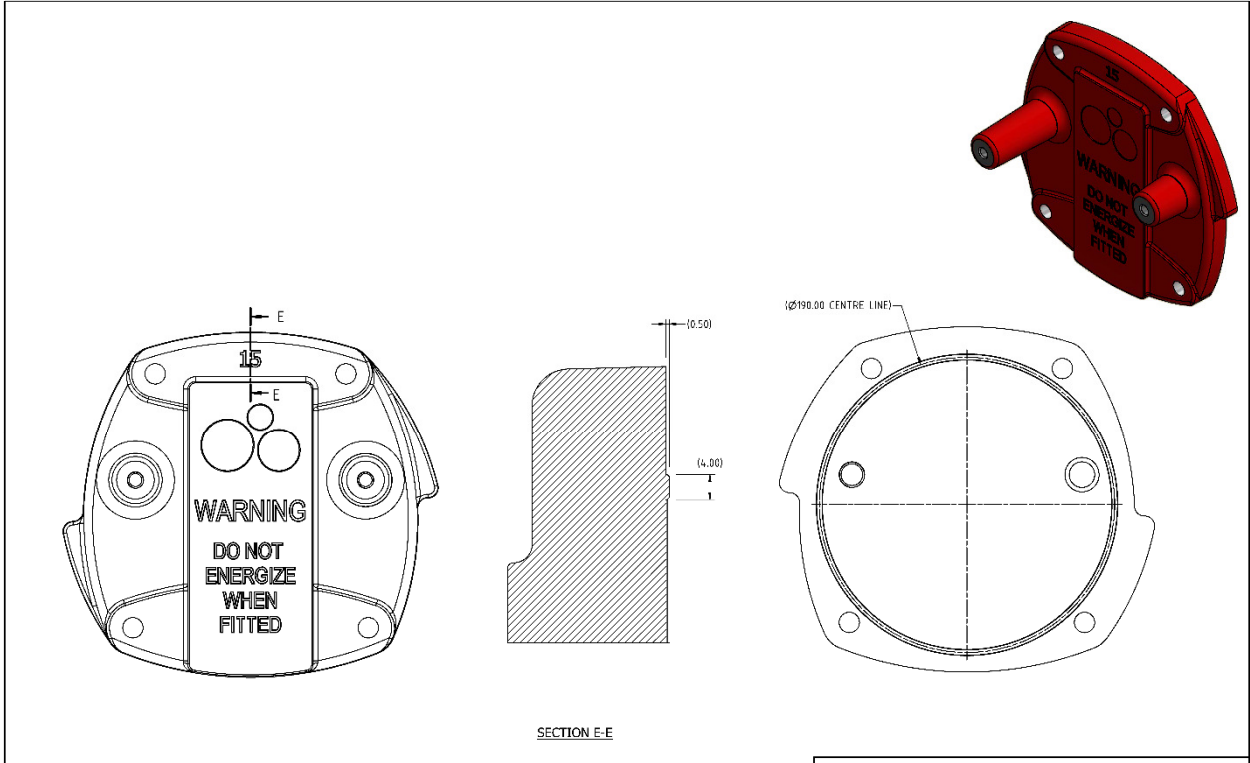
AusProof PTY LTD		DESIGNED BY D.MINENKO	PART NAME 11/15 KV BODY EXPLODED VIEW		
COPYRIGHT RESERVED		APPROVED BY C.TAYLOR	ISSUE DATE 11/01/2022	PART NO. INT11/15BODY7	
DIMENSIONS (Metric unless noted) UNLESS OTHERWISE SPECIFIED		SCALE 8 DF 9	DRAGS NOT TO SCALE REGARDING DIMENSIONS UNLESS	REVISION HISTORY	
ALL SURFACES TO UNLESS OTHERWISE NOTED		SIZE A3	MAX. AREA	REV 1	DESCRIPTION Original
				DATE 11/01/2022	



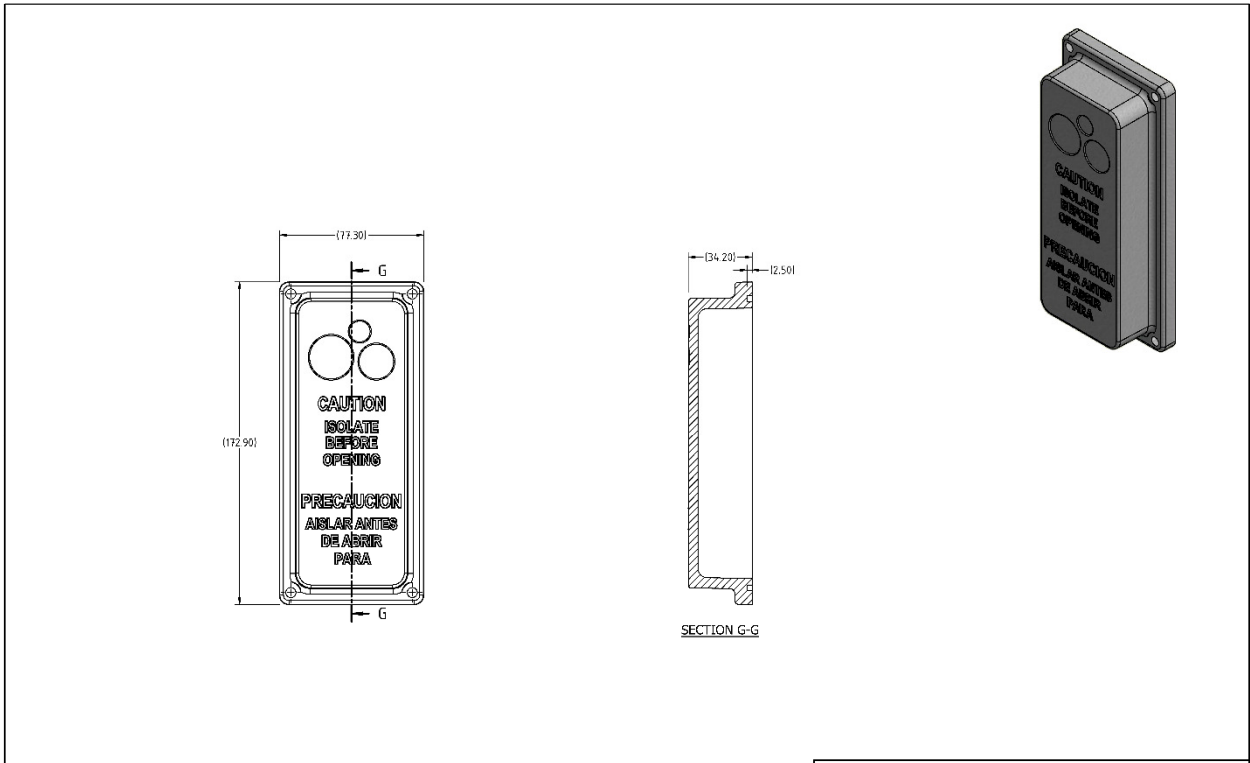
AusProof PTY LTD		DESIGNED BY D.MINENKO	PART NAME 11/15 KV BODY EXPLODED VIEW		
COPYRIGHT RESERVED		ENGINEERED BY C.TAYLOR	ISSUE DATE 11/01/2022	DRAWING NO. 111501	
DIMENSIONS (Metric) (mm)		SHEET 9 OF 9	DRAWING NOT TO SCALE		REVISION HISTORY
LESS DIMENSIONS SPECED		SIZE A3	FOR QUANTIFICATION IN ORDER		DESCRIPTION
ALL SURFACES TO UNLESS OTHERWISE NOTED		SCALE 1:1	PART NO. IN11/15BODYR	DATE	DATE
X.X 0.1				1	Original
X.XX 0.05					11/01/2022



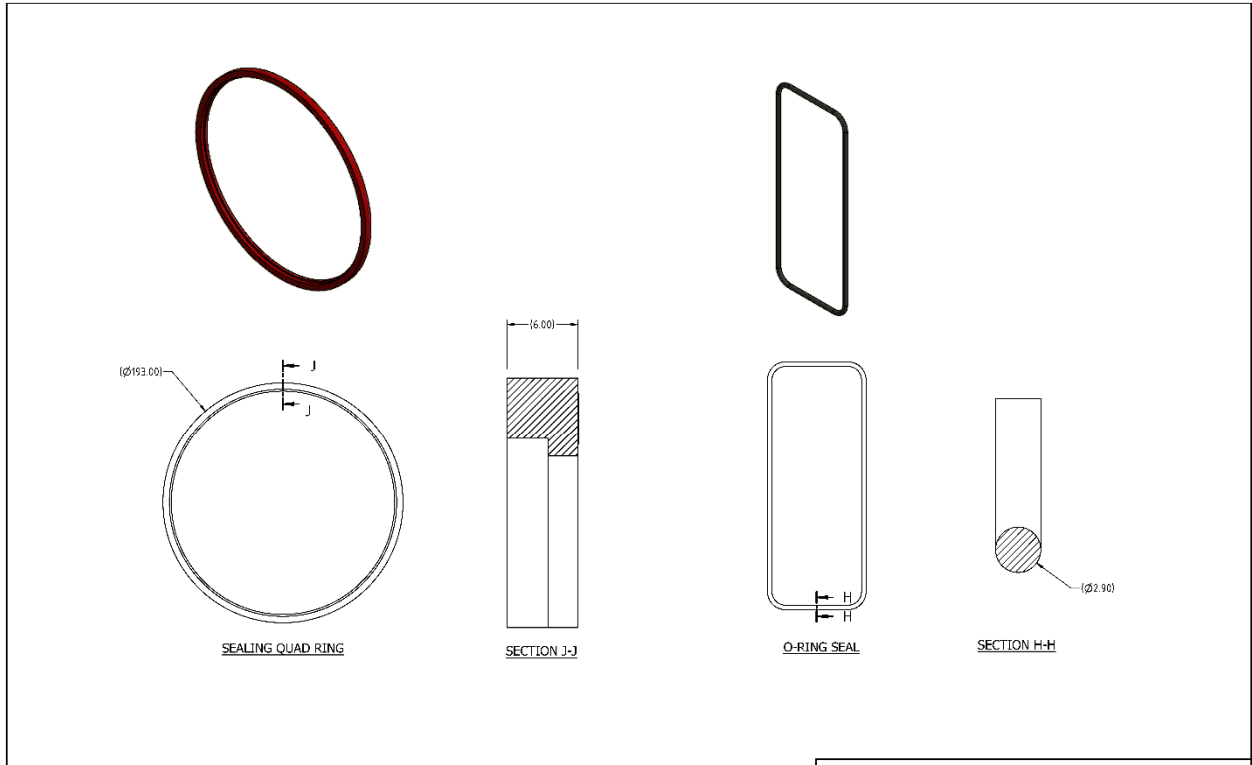
AusProof PTY LTD		DESIGNED BY D.MINENKO	PART NAME 11/15 KV COVER EXPLODED VIEW		
COPYRIGHT RESERVED		ENGINEERED BY C.TAYLOR	ISSUE DATE 11/01/2022	DRAWING NO. 111501	
DIMENSIONS (Metric) (mm)		SHEET 1 OF 6	DRAWING NOT TO SCALE		REVISION HISTORY
LESS DIMENSIONS SPECED		SIZE A3	FOR QUANTIFICATION IN ORDER		DESCRIPTION
ALL SURFACES TO UNLESS OTHERWISE NOTED		SCALE 1:1	PART NO. IN11-15COVER	DATE	DATE
X.X 0.1				1	INITIAL
X.XX 0.05					07/11/2023



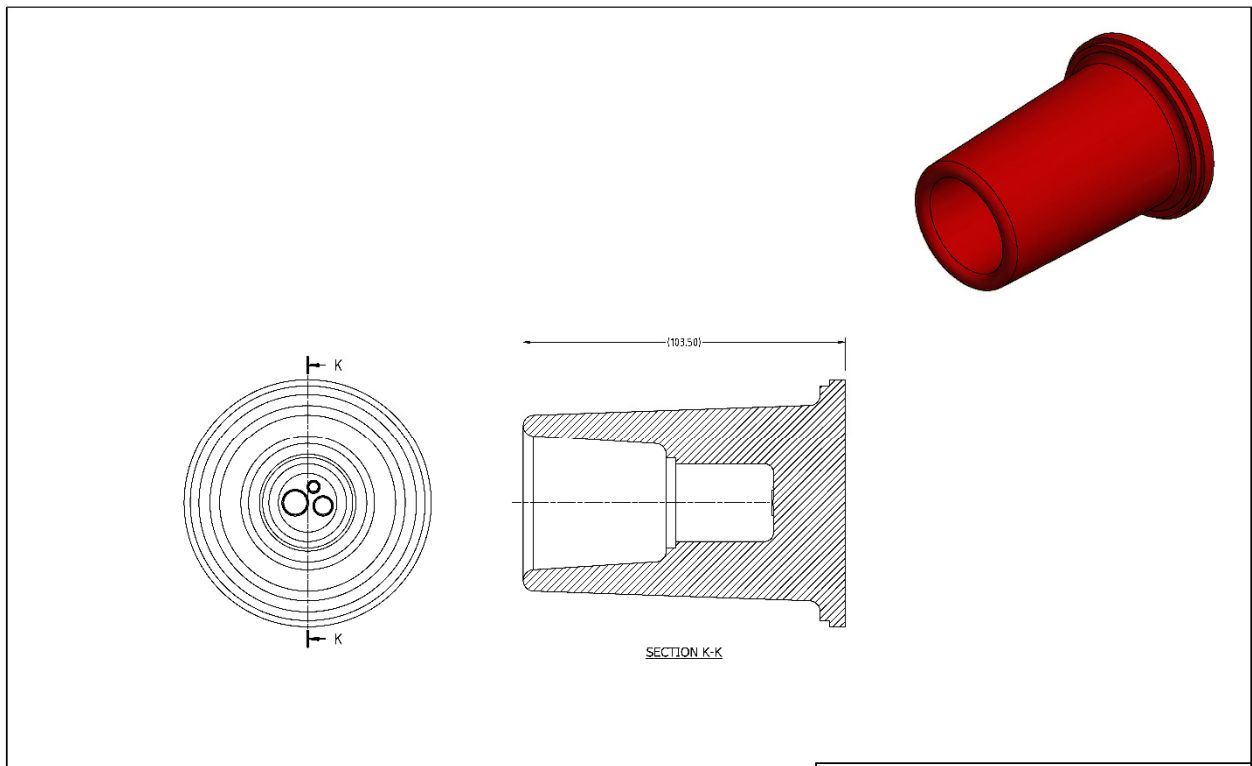
AusProof PTY LTD		DESIGNED BY D.MINENKO	PART NAME 11/15 KV COVER EXPLODED VIEW		
COPYRIGHT RESERVED		ENGINEERED BY C.TAYLOR	ISSUE DATE 11/01/2022	SUB-AC: 11-15KV	
DIMENSIONS (Metric) (mm) UNLESS OTHERWISE SPECIFIED		SHEET 2 OF 6	DRAWING NOT TO SCALE	REVISION HISTORY	
ALL SURFACES TO UNLESS OTHERWISE NOTED		SIZE A3	PROBABLE DIMENSIONS IN INCHES	REV 1	DESCRIPTION INITIAL
		PART NO. INTL-15COVER1	MA MTRIA	DATE	07/11/2023



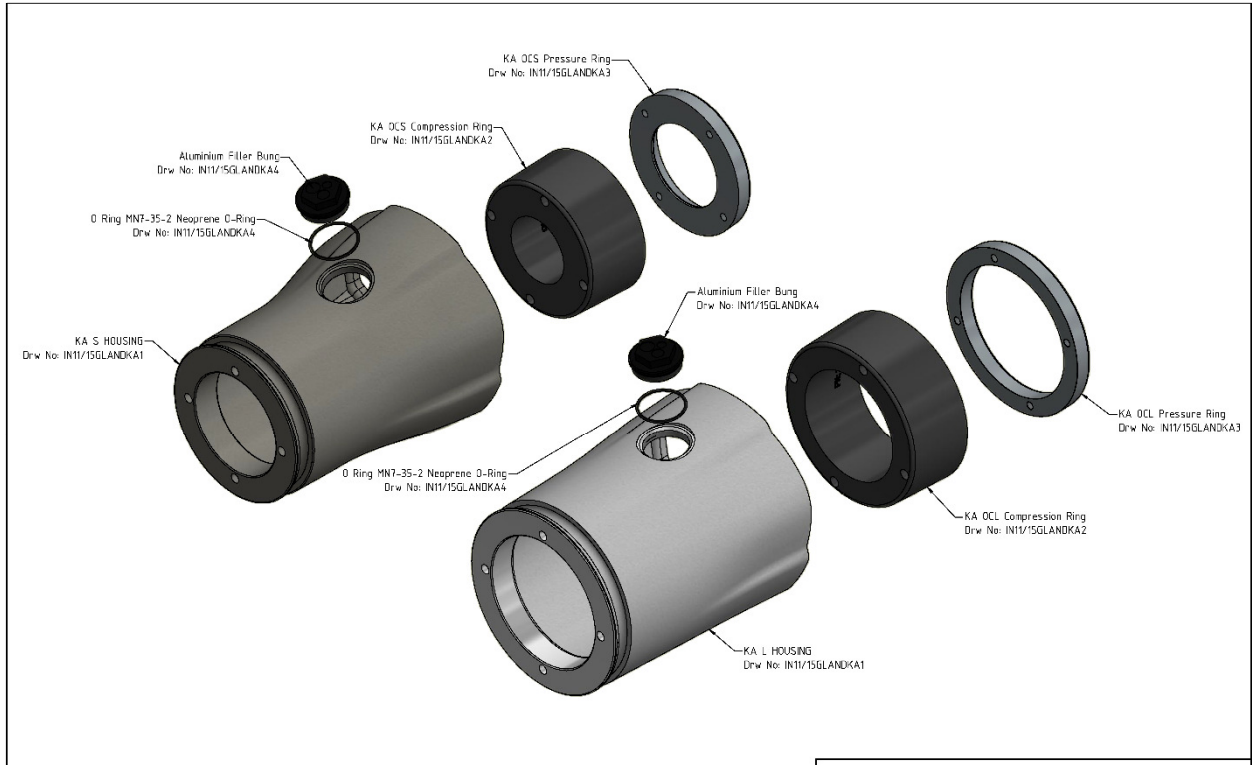
AusProof PTY LTD		DESIGNED BY D.MINENKO	PART NAME 11/15 KV COVER EXPLODED VIEW		
COPYRIGHT RESERVED		ENGINEERED BY C.TAYLOR	ISSUE DATE 11/01/2022	SUB-AC: 11-15KV	
DIMENSIONS (Metric) (mm) UNLESS OTHERWISE SPECIFIED		SHEET 4 OF 6	DRAWING NOT TO SCALE	REVISION HISTORY	
ALL SURFACES TO UNLESS OTHERWISE NOTED		SIZE A3	PROBABLE DIMENSIONS IN INCHES	REV 1	DESCRIPTION INITIAL
		PART NO. INTL-15COVER3	MA MTRIA	DATE	07/11/2023



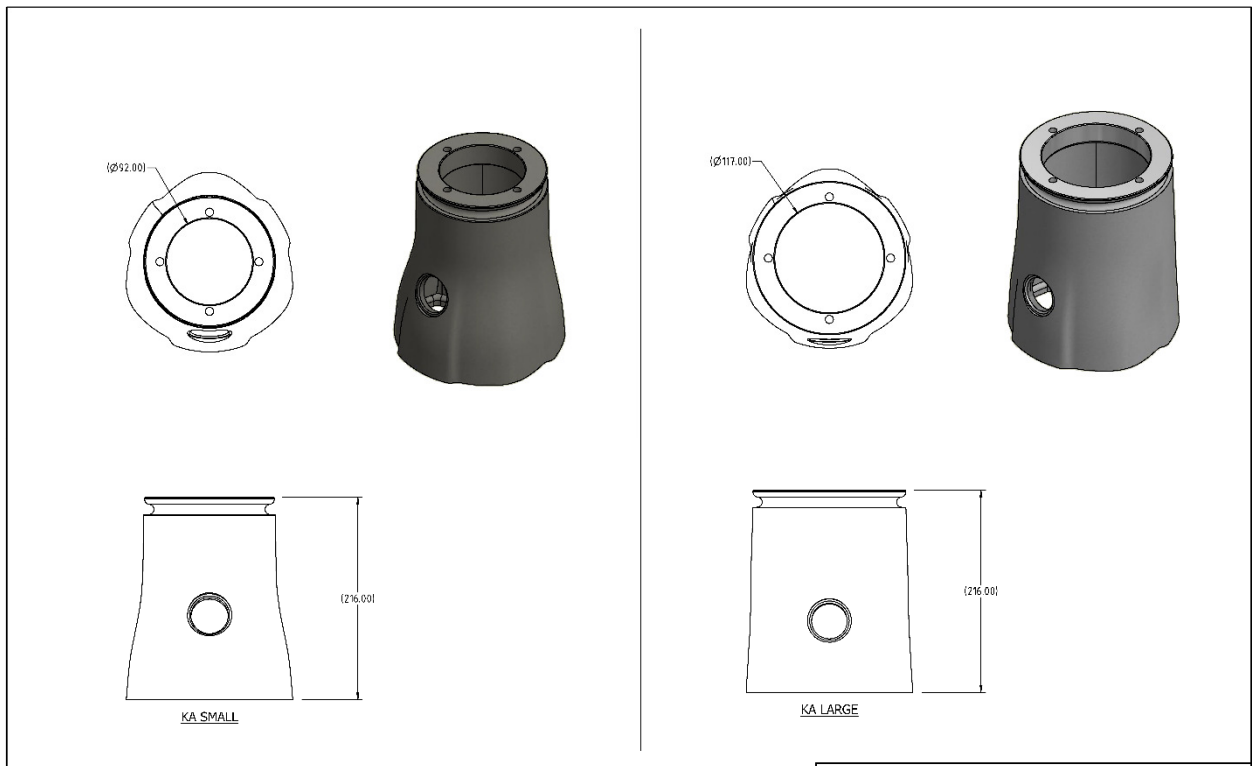
AusProof PTY LTD		DESIGNED BY D.MINENKO	PART NAME 11/15 KV COVER EXPLODED VIEW		
COPYRIGHT RESERVED		ENGINEERED BY C.TAYLOR	ISSUE DATE 11/01/2022	SUBV. AC. 11/15KV	
DIMENSIONS (Metric) (mm)		SHEET 5 OF 6	DRAWING NOT TO SCALE	REVISION HISTORY	
LESS DIMENSIONS SPECIFIED		SIZE A3	FOR ALL DIMENSIONS SEE ISH DRAWING	REV 1	DESCRIPTION INITIAL
ALL SURFACES TO UNLESS OTHERWISE NOTED					DATE 07/11/2023



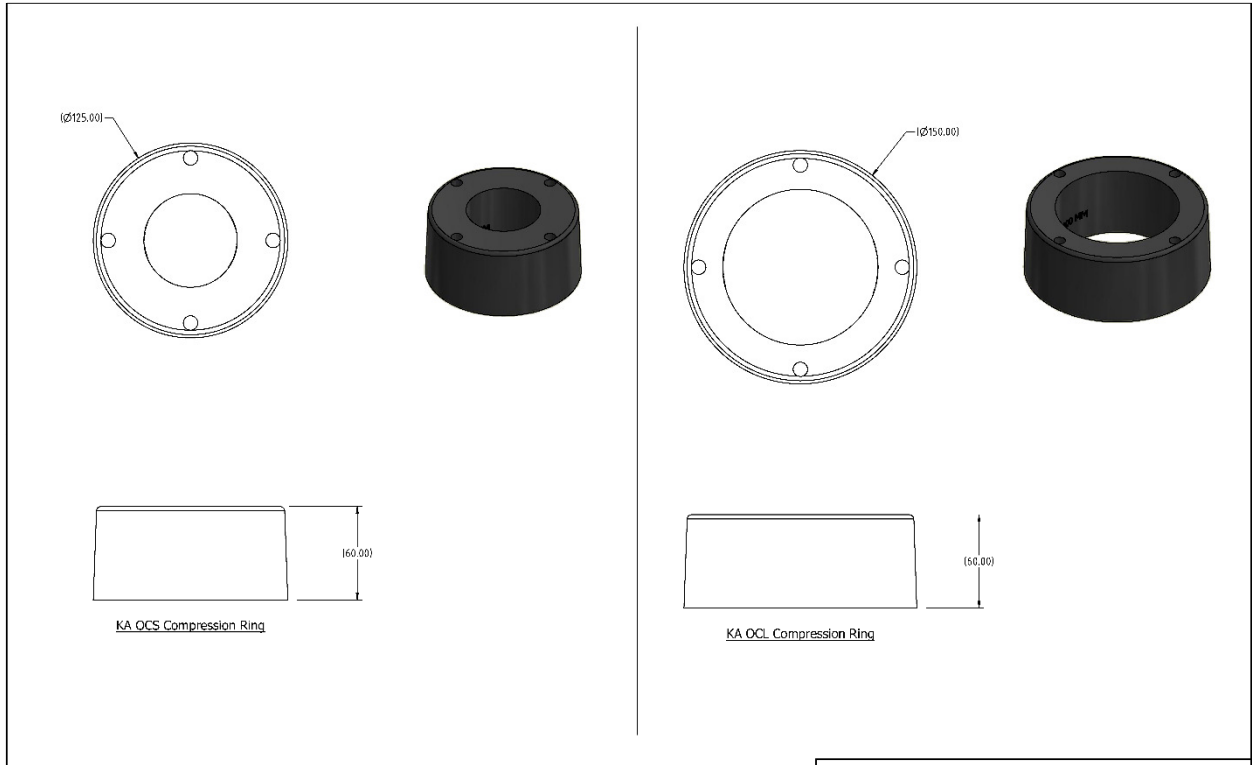
AusProof PTY LTD		DESIGNED BY D.MINENKO	PART NAME 11/15 KV COVER EXPLODED VIEW		
COPYRIGHT RESERVED		ENGINEERED BY C.TAYLOR	ISSUE DATE 11/01/2022	SUBV. AC. 11/15KV	
DIMENSIONS (Metric) (mm)		SHEET 5 OF 6	DRAWING NOT TO SCALE	REVISION HISTORY	
LESS DIMENSIONS SPECIFIED		SIZE A3	FOR ALL DIMENSIONS SEE ISH DRAWING	REV 1	DESCRIPTION INITIAL
ALL SURFACES TO UNLESS OTHERWISE NOTED					DATE 07/11/2023



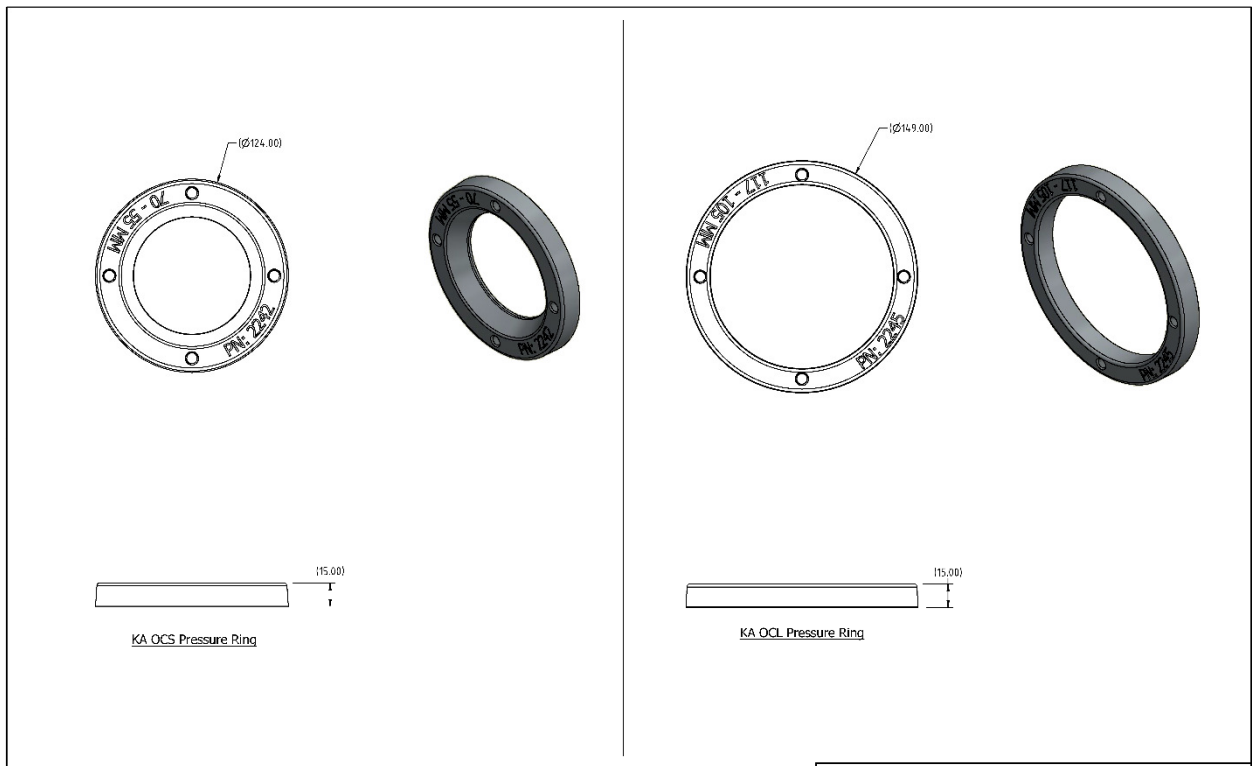
AusProof PTY LTD		DESIGNED BY D.MINENKO	PART NAME 11/15 KV GLAND KA EXPLODE VIEW		
COPYRIGHT RESERVED		ENGINEERED BY C.TAYLOR	ISSUE DATE 11/01/2022	SUBVCL: 11/15/1	
DIMENSIONS (Metric) (mm)		SHEET 1 OF 5	ISSUING NOT TO SCALE	REVISION HISTORY	
LESS DIMENSIONS SPECIFIED		SIZE A3	PROBABLE DIMENSIONS IN USE ONLY	REV 1	DESCRIPTION INITIAL
ALL SURFACES TO UNLESS OTHERWISE NOTED			PART NO. INS11-15GLANDKA	DATE 07/11/2023	



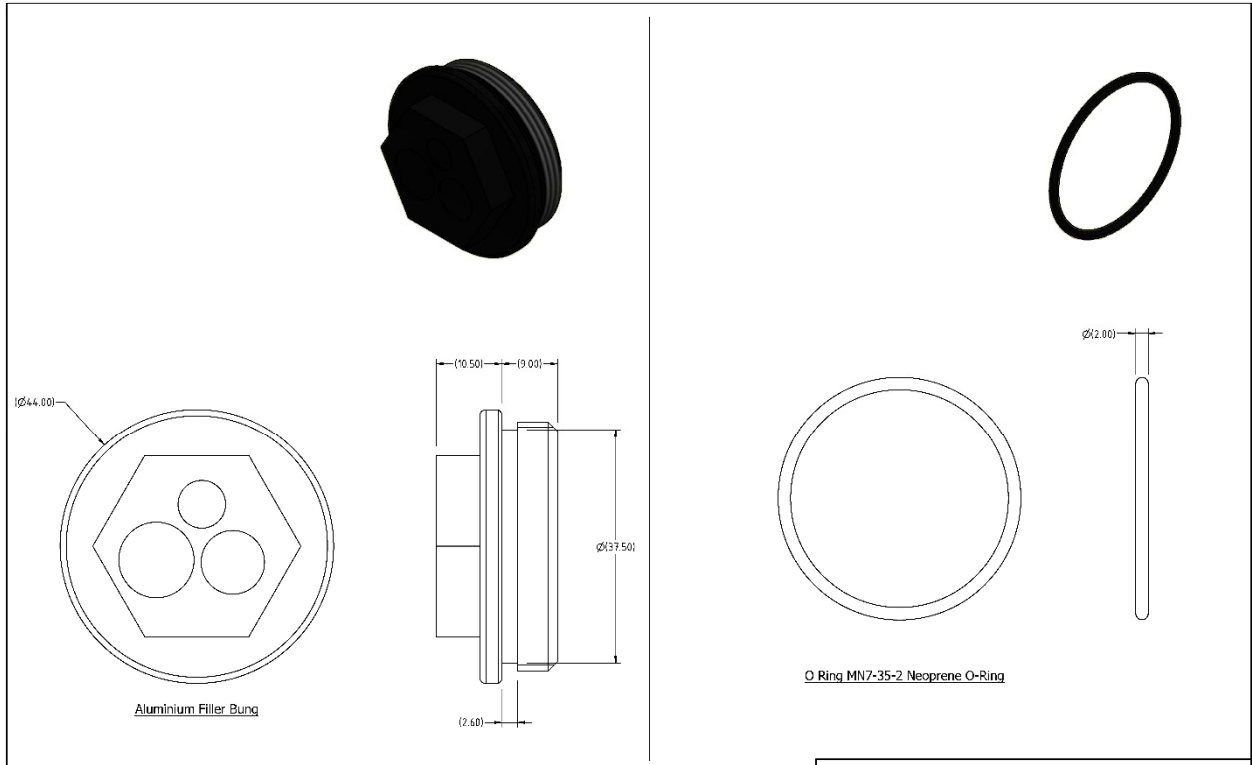
AusProof PTY LTD		DESIGNED BY D.MINENKO	PART NAME 11/15 KV GLAND KA EXPLODE VIEW		
COPYRIGHT RESERVED		ENGINEERED BY C.TAYLOR	ISSUE DATE 11/01/2022	SUBVCL: 11/15/1	
DIMENSIONS (Metric) (mm)		SHEET 2 OF 5	ISSUING NOT TO SCALE	REVISION HISTORY	
LESS DIMENSIONS SPECIFIED		SIZE A3	PROBABLE DIMENSIONS IN USE ONLY	REV 1	DESCRIPTION INITIAL
ALL SURFACES TO UNLESS OTHERWISE NOTED			PART NO. INS11-15GLANDKA1	DATE 07/11/2023	



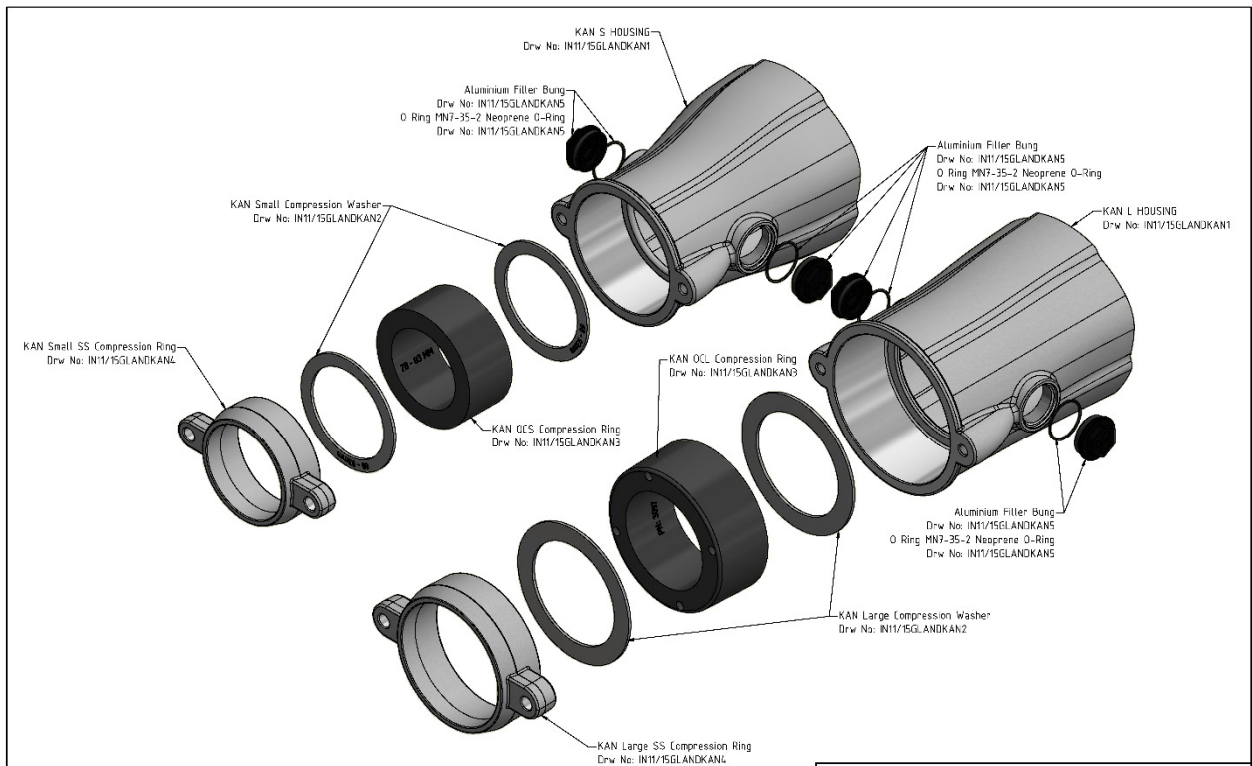
AusProof PTY LTD		DESIGNED BY D.MINENKO	PART NAME 11/15 KV GLAND KA EXPLODE VIEW		
COPYRIGHT RESERVED		APPROVED BY C.TAYLOR	ISSUE DATE 11/01/2022	SUBVCL: 111501	
ENG DWG		SHEET 3 OF 5	DRAGAS NOT TO SCALE PROBABLY DIMENSIONS IN MILLIMETER	REVISION HISTORY	
DIMENSIONS (Metric) (mm)		SIZE A3	PART NO. INS11-15GLANDKA2	REV 1	DATE 07/11/2023
UNLESS OTHERWISE SPECIFIED				DESCRIPTION INITIAL	
ALL SURFACES TO UNLESS OTHERWISE NOTED				DATE	



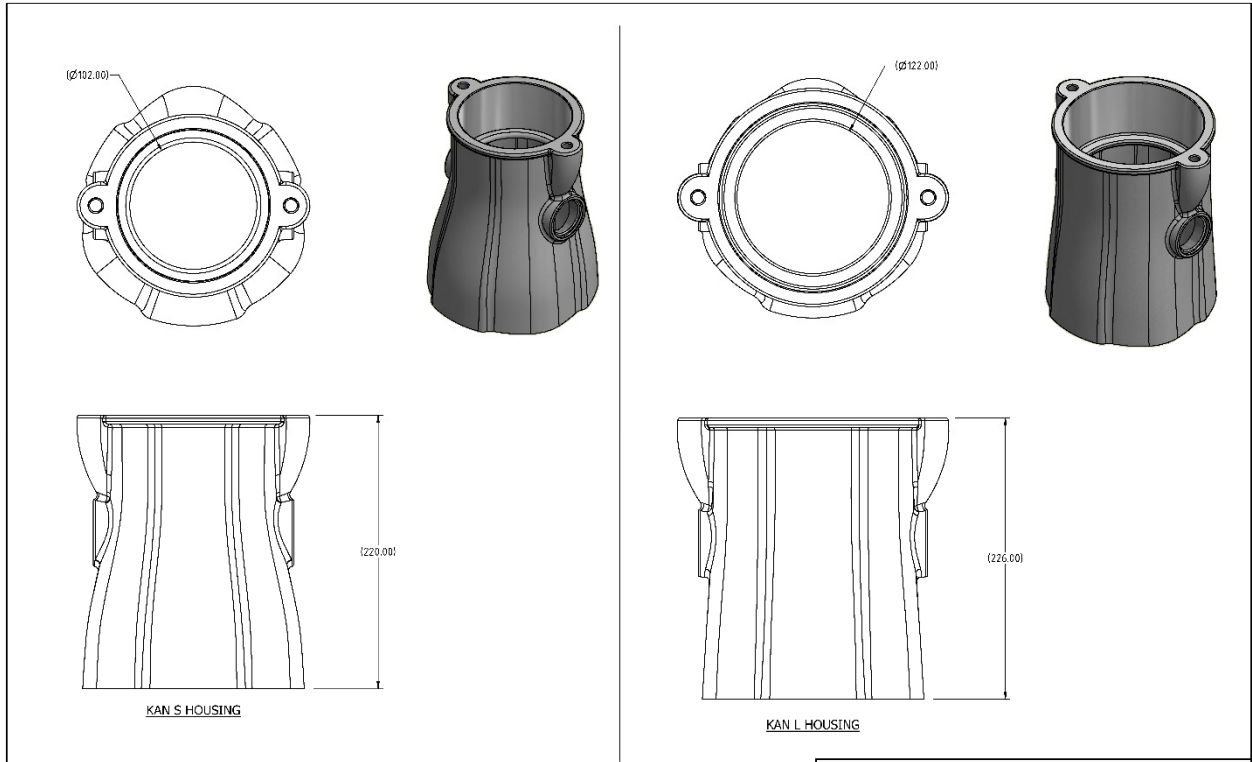
AusProof PTY LTD		DESIGNED BY D.MINENKO	PART NAME 11/15 KV GLAND KA EXPLODE VIEW		
COPYRIGHT RESERVED		APPROVED BY C.TAYLOR	ISSUE DATE 11/01/2022	SUBVCL: 111501	
ENG DWG		SHEET 4 OF 5	DRAGAS NOT TO SCALE PROBABLY DIMENSIONS IN MILLIMETER	REVISION HISTORY	
DIMENSIONS (Metric) (mm)		SIZE A3	PART NO. INS11-15GLANDKA3	REV 1	DATE 07/11/2023
UNLESS OTHERWISE SPECIFIED				DESCRIPTION INITIAL	
ALL SURFACES TO UNLESS OTHERWISE NOTED				DATE	



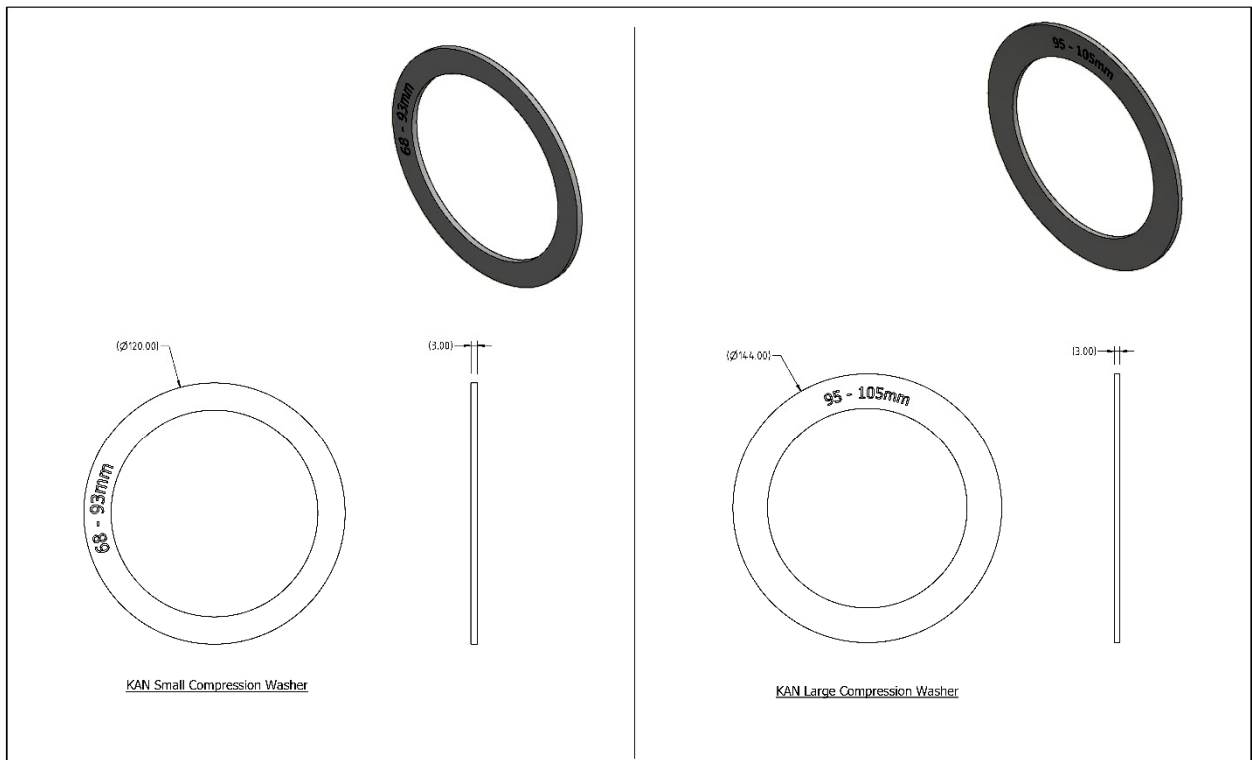
AusProof PTY LTD		DESIGNED BY D.MINENKO	PART NAME 11/15 KV GLAND KA EXPLODE VIEW		
COPYRIGHT RESERVED		ENGINEERED BY C.TAYLOR	ISSUE DATE 11/01/2022	SUBJ: 11-15KV	
DIMENSIONS (Metric) unless noted UNLESS OTHERWISE SPECIFIED ALL SURFACES TO UNLESS OTHERWISE NOTED		SHEET 5 OF 5 SIZE A3	DRAWING NOT TO SCALE PROBABLY DIMENSIONS TO BE USED	REVISION HISTORY	
XX 0.1 XXX 0.05		PART NO. INS11-15GLANDKA4	DIA. P181A	REV 1	DESCRIPTION INITIAL
				DATE 07/11/2023	



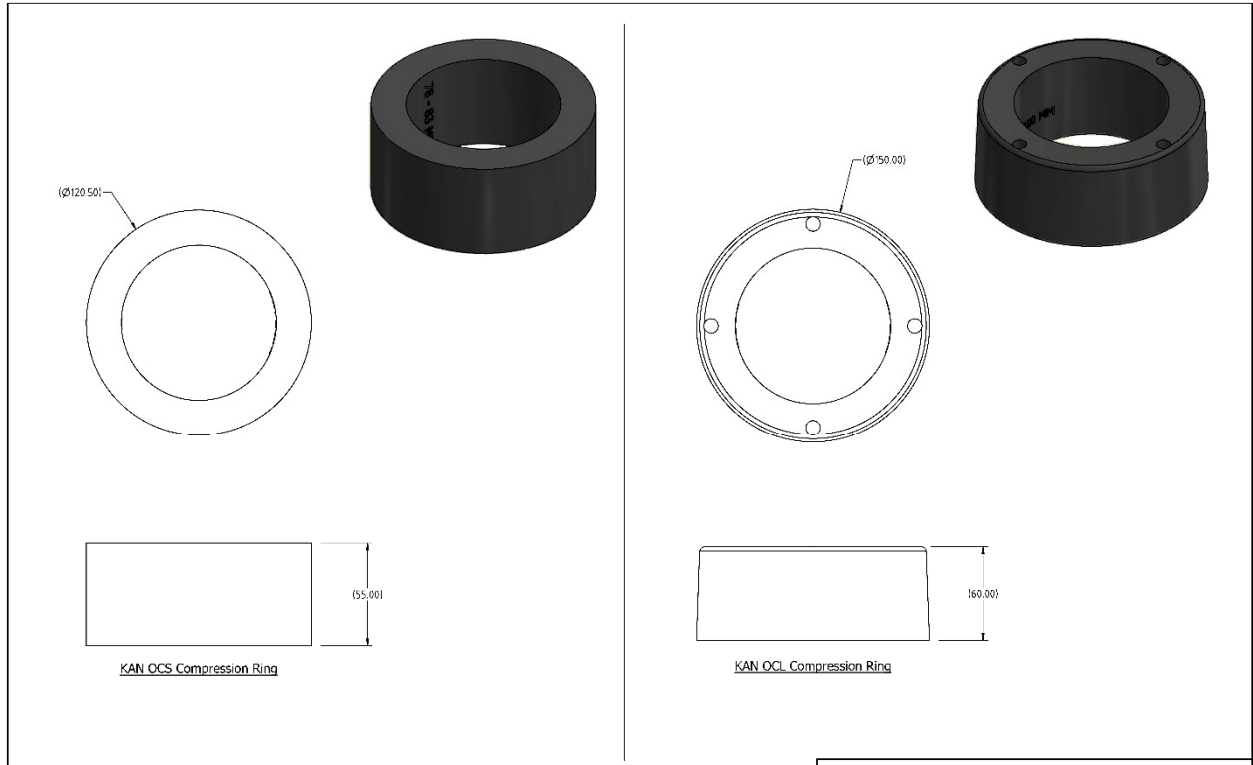
AusProof PTY LTD		DESIGNED BY D.MINENKO	PART NAME 11/15 KV GLAND KAN EXPLODE VIEW		
COPYRIGHT RESERVED		ENGINEERED BY C.TAYLOR	ISSUE DATE 11/01/2022	SUBJ: 11-15KV	
DIMENSIONS (Metric) unless noted UNLESS OTHERWISE SPECIFIED ALL SURFACES TO UNLESS OTHERWISE NOTED		SHEET 1 OF 6 SIZE A3	DRAWING NOT TO SCALE PROBABLY DIMENSIONS TO BE USED	REVISION HISTORY	
XX 0.1 XXX 0.05		PART NO. INS11-15GLANDKAN	DIA. P181A	REV 1	DESCRIPTION INITIAL
				DATE 07/11/2023	



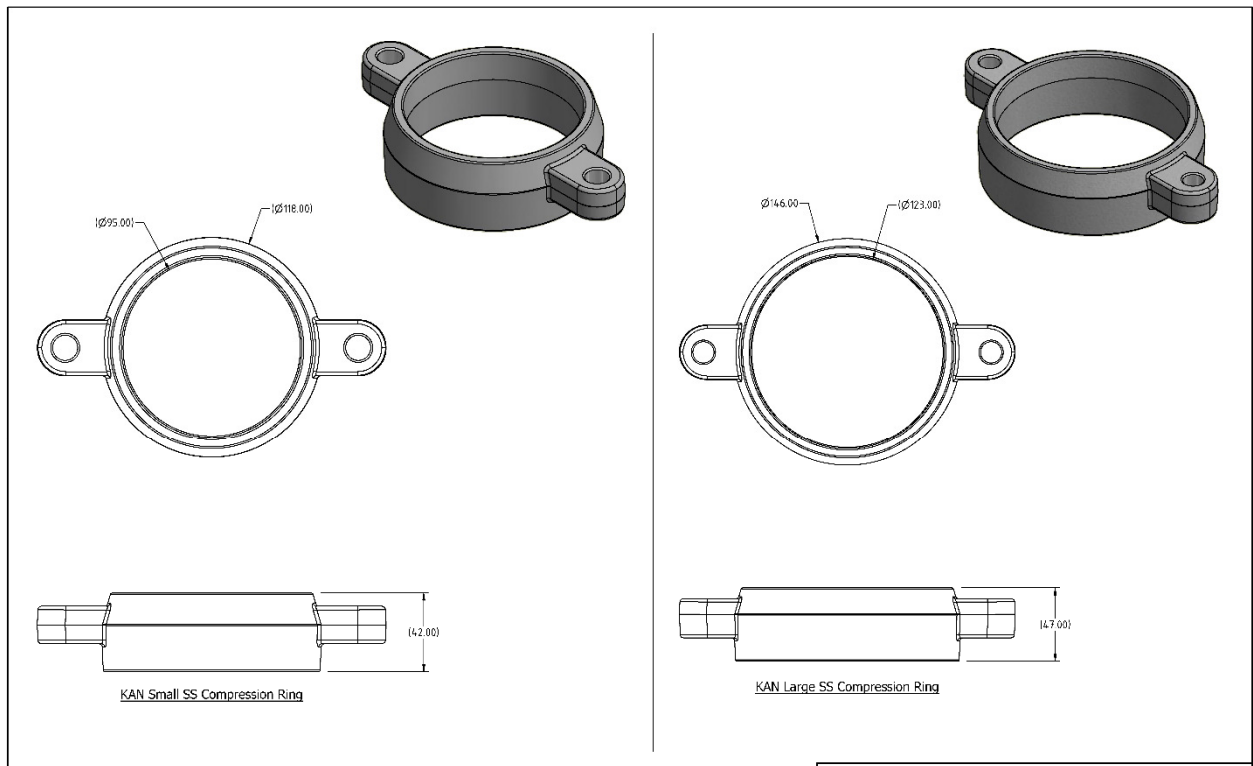
AusProof PTY LTD		DESIGNED BY D.MINENKO	PART NAME 11/15 KV GLAND KAN EXPLODE VIEW		
COPYRIGHT RESERVED		ENGINEERED BY C.TAYLOR	ISSUE DATE 11/01/2022	SUB PAC: 11-15KV	
DIMENSIONS (Metric) (mm)		SHEET 2 OF 6	DRAWING NOT TO SCALE		
LESS DIMENSIONS SPECIFIED		SIZE A3	PROBABLE DIMENSIONS IN 3D MODEL		
ALL SURFACES TO UNLESS OTHERWISE NOTED		SCALE AS SHOWN	PART NO. INS11-15GLANDKAN1	MATERIAL PA 1214	
REVISION HISTORY					
REV	DESCRIPTION			DATE	
1	INITIAL			07/11/2023	



AusProof PTY LTD		DESIGNED BY D.MINENKO	PART NAME 11/15 KV GLAND KAN EXPLODE VIEW		
COPYRIGHT RESERVED		ENGINEERED BY C.TAYLOR	ISSUE DATE 11/01/2022	SUB PAC: 11-15KV	
DIMENSIONS (Metric) (mm)		SHEET 3 OF 6	DRAWING NOT TO SCALE		
LESS DIMENSIONS SPECIFIED		SIZE A3	PROBABLE DIMENSIONS IN 3D MODEL		
ALL SURFACES TO UNLESS OTHERWISE NOTED		SCALE AS SHOWN	PART NO. INS11-15GLANDKAN2	MATERIAL PA 1214	
REVISION HISTORY					
REV	DESCRIPTION			DATE	
1	INITIAL			07/11/2023	



AusProof PTY LTD		DESIGNED BY D.MINENKO	PART NAME 11/15 KV GLAND KAN EXPLODE VIEW		
© COPYRIGHT RESERVED		APPROVED BY C.TAYLOR	ISSUE DATE 11/01/2022	SUB PAC: 11-15KV	
DIMENSIONS (Metric) (mm) UNLESS OTHERWISE SPECIFIED		SHEET 4 OF 6	DRAWING NOT TO SCALE	REVISION HISTORY	
ALL SURFACES TO UNLESS OTHERWISE NOTED		SIZE A3	PROBABLE DIMENSIONS TO BE USED	REV 1	DESCRIPTION INITIAL
			PART NO. INS11-15GLANDKAN3	DATE 07/11/2023	



AusProof PTY LTD		DESIGNED BY D.MINENKO	PART NAME 11/15 KV GLAND KAN EXPLODE VIEW		
© COPYRIGHT RESERVED		APPROVED BY C.TAYLOR	ISSUE DATE 11/01/2022	SUB PAC: 11-15KV	
DIMENSIONS (Metric) (mm) UNLESS OTHERWISE SPECIFIED		SHEET 5 OF 6	DRAWING NOT TO SCALE	REVISION HISTORY	
ALL SURFACES TO UNLESS OTHERWISE NOTED		SIZE A3	PROBABLE DIMENSIONS TO BE USED	REV 1	DESCRIPTION INITIAL
			PART NO. INS11-15GLANDKAN4	DATE 07/11/2023	

