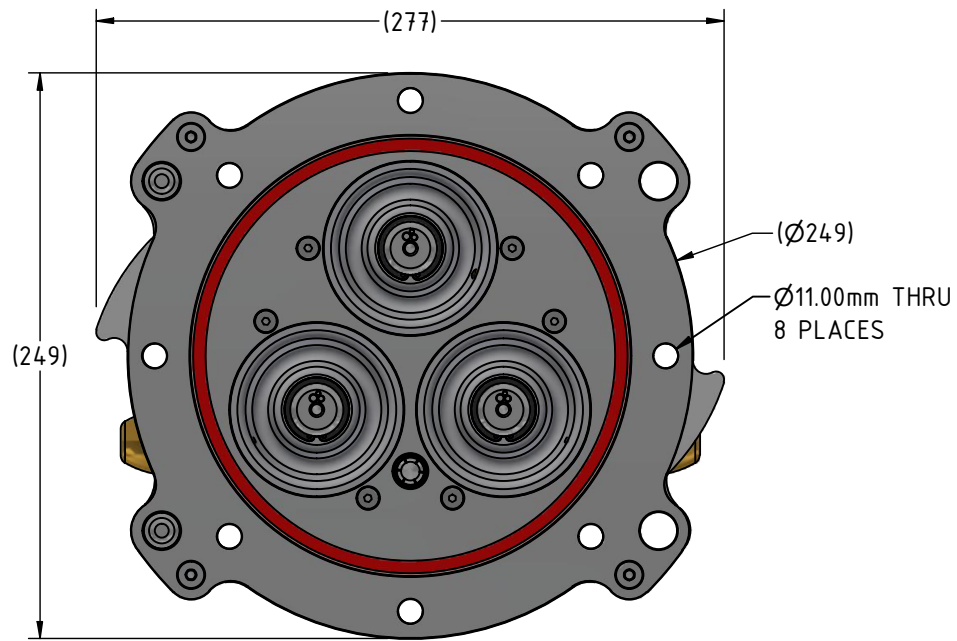
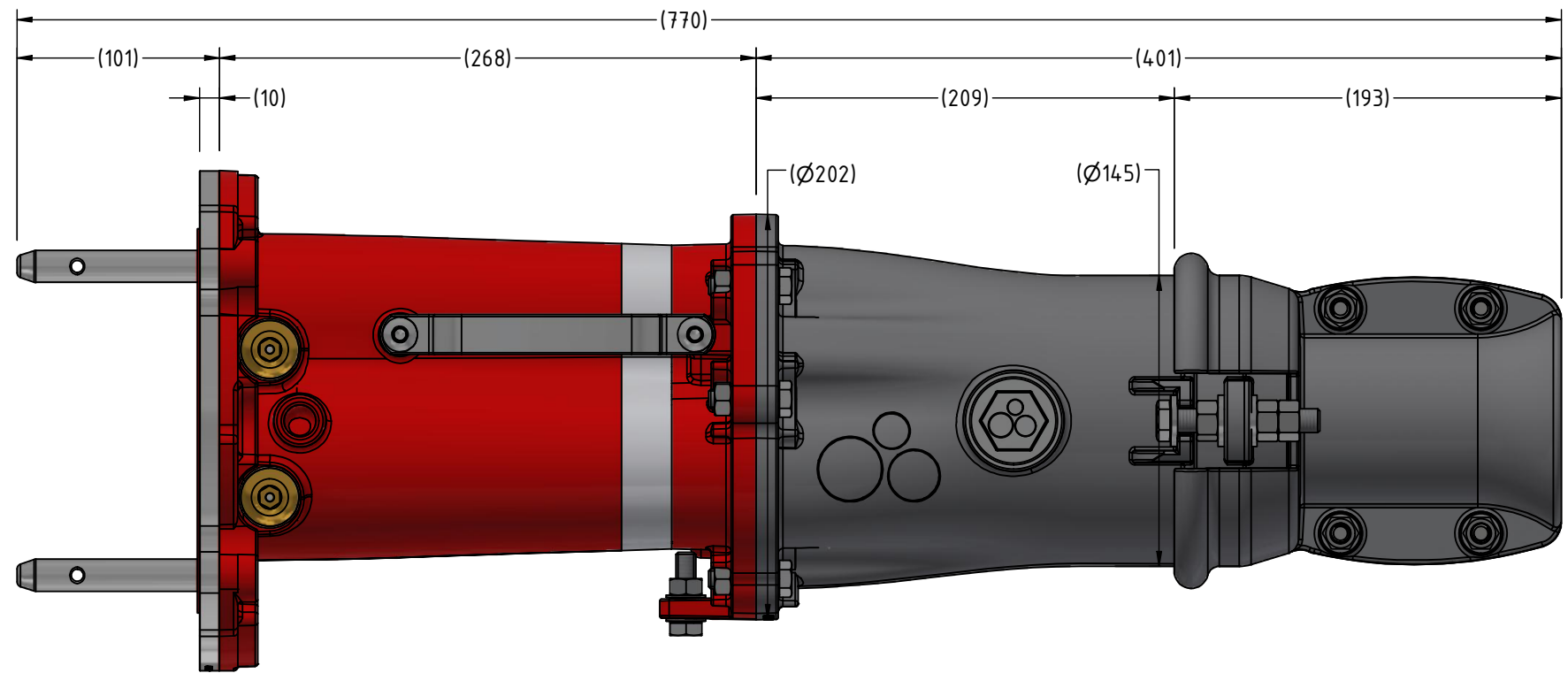


# UNARMoured HOUSING

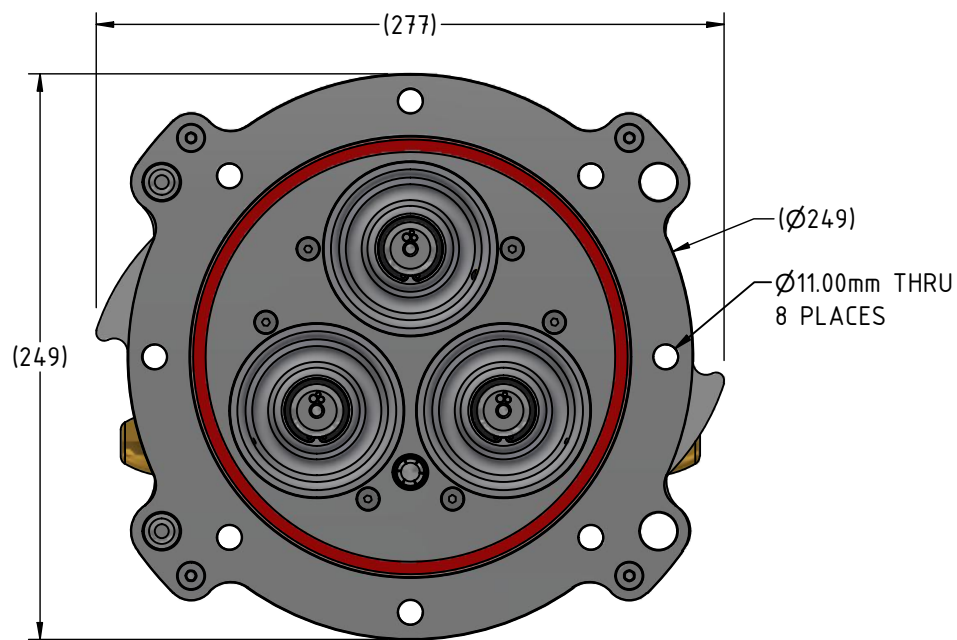


FRONT VIEW

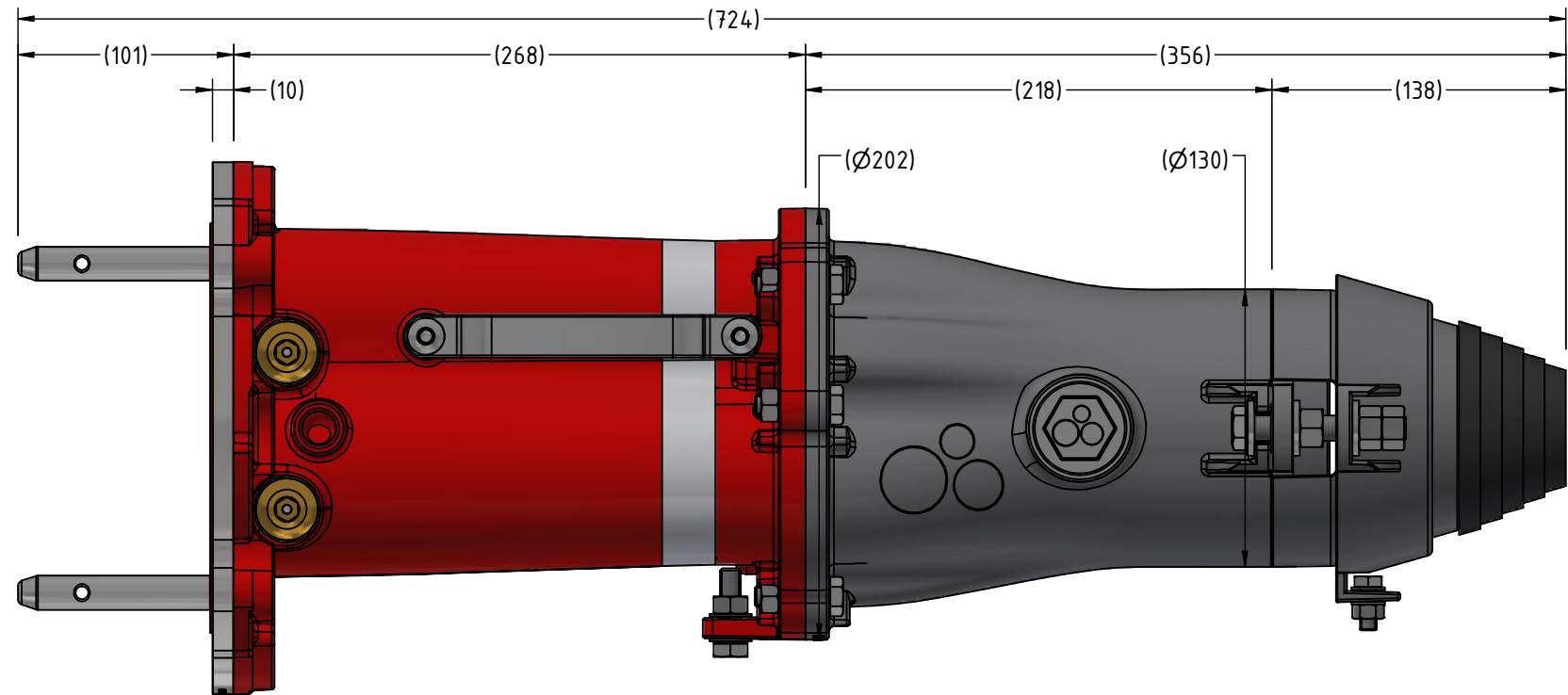


SIDE VIEW

# ARMoured HOUSING



FRONT VIEW



SIDE VIEW



DRAWN BY  
L.BELL

PART NAME  
Ex118BSSRF - PRODUCT DIMENSIONS

APPROVED BY  
D.MINENKO

DRAWN DATE  
18/09/2023

SURFACE FINISH

MACHINED, PAINTED

SHEET  
1 OF 5  
ENG DWG

DRAWING NOT TO SCALE  
Request Dimensions If In Doubt

MATERIAL  
STAINLESS, ALUMINIUM, SILICONE

REVISION HISTORY

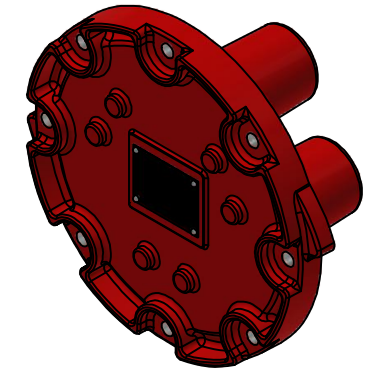
REV	DESCRIPTION	DATE
2	ADDED HOLE PLACEMENT DIMENSIONS TO SHEET 4	22/04/2026
1	INITIAL RELEASE	03/10/2023

SIZE  
A3

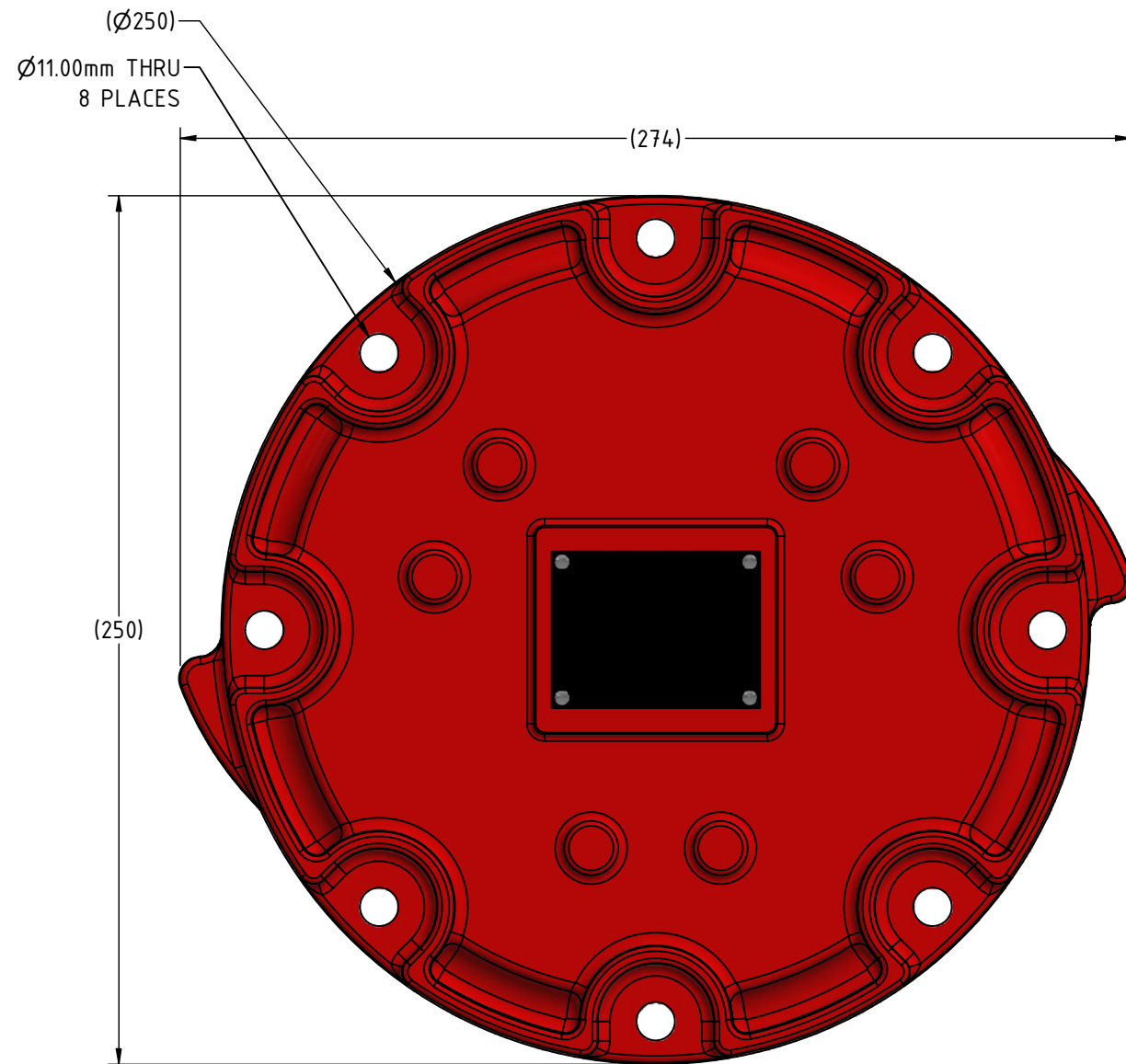
UNLESS OTHERWISE SPECIFIED  
DIMENSIONS (Metric-millimetre-mm)  
ALL SURFACE FINISHES TO ✓



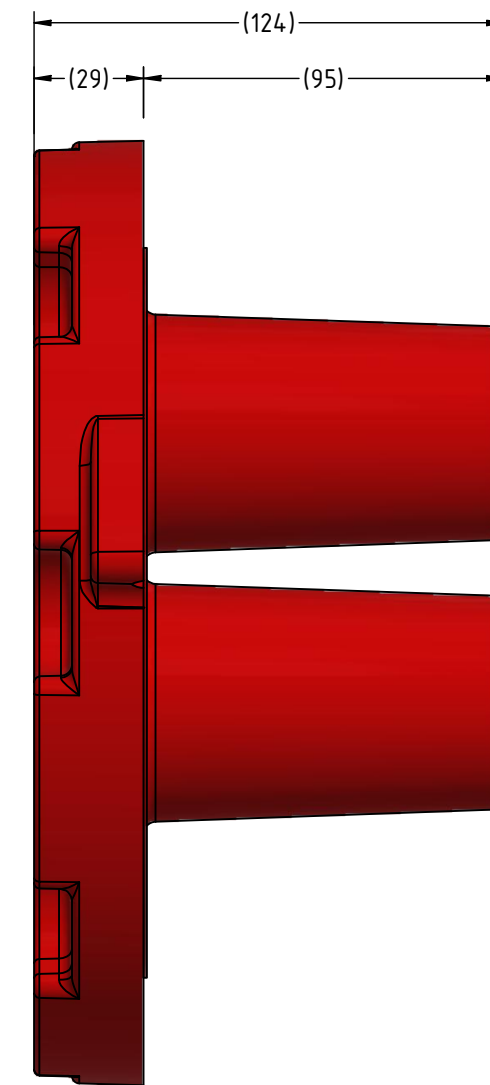
# INSULATED END COVER



ISOMETRIC VIEW



FRONT VIEW



SIDE VIEW



DRAWN BY  
L.BELL

PART NAME  
Ex118BSSRF - PRODUCT DIMENSIONS

APPROVED BY  
D.MINENKO

DRAWN DATE  
18/09/2023

SURFACE FINISH  
MACHINED, PAINTED

SIZE  
A3  
UNLESS OTHERWISE SPECIFIED  
DIMENSIONS (Metric-millimetre-mm)  
ALL SURFACE FINISHES TO



SHEET  
2 OF 5  
ENG DWG

DRAWING NOT TO SCALE  
Request Dimensions If In Doubt

PART NO.  
MATERIAL  
STAINLESS, SILICONE, COPPER

REV

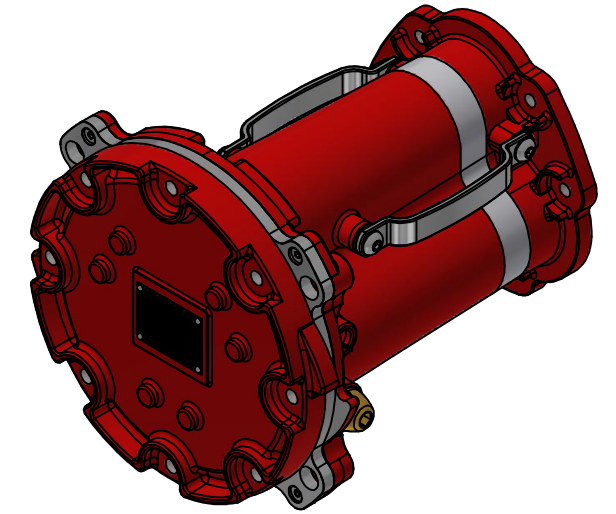
2

1

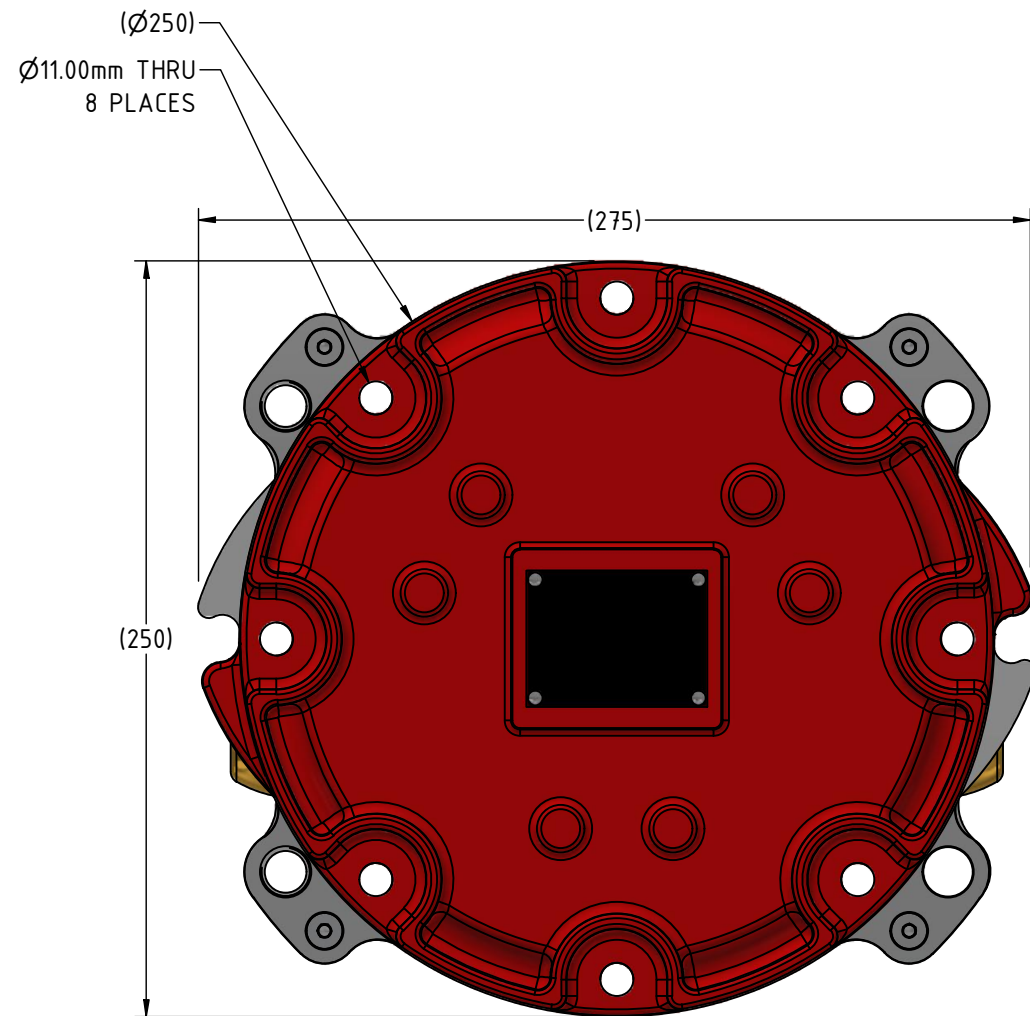
REVISION HISTORY

DESCRIPTION	DATE
ADDED HOLE PLACEMENT DIMENSIONS TO SHEET 4	22/04/2026
INITIAL RELEASE	03/10/2023

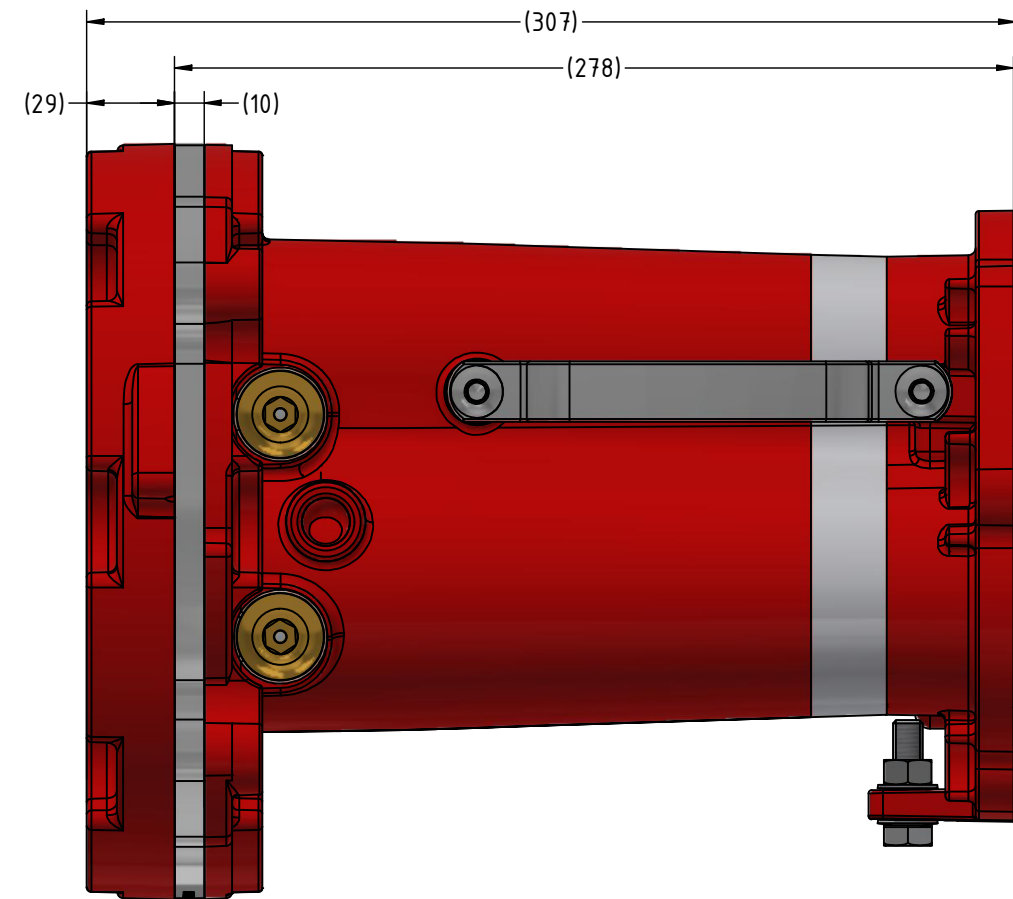
# INSULATED END COVER



ISOMETRIC VIEW



FRONT VIEW



SIDE VIEW



DRAWN BY  
L.BELL

PART NAME  
Ex118BSSRF - PRODUCT DIMENSIONS

APPROVED BY  
D.MINENKO

DRAWN DATE  
18/09/2023

SURFACE FINISH  
MACHINED, PAINTED

SIZE  
A3  
UNLESS OTHERWISE SPECIFIED  
DIMENSIONS (Metric-millimetre-mm)  
ALL SURFACE FINISHES TO



SHEET  
3 OF 5  
ENG DWG

DRAWING NOT TO SCALE  
Request Dimensions If In Doubt

PART NO.  
MATERIAL  
STAINLESS, COPPER, ALUMINIUM, SILICONE

REV

REVISION HISTORY

DESCRIPTION

DATE

2

ADDED HOLE PLACEMENT DIMENSIONS TO SHEET 4

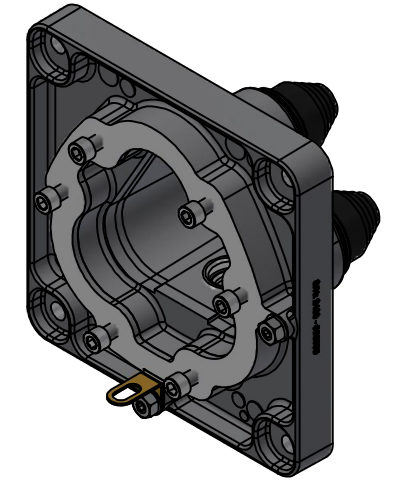
22/04/2026

1

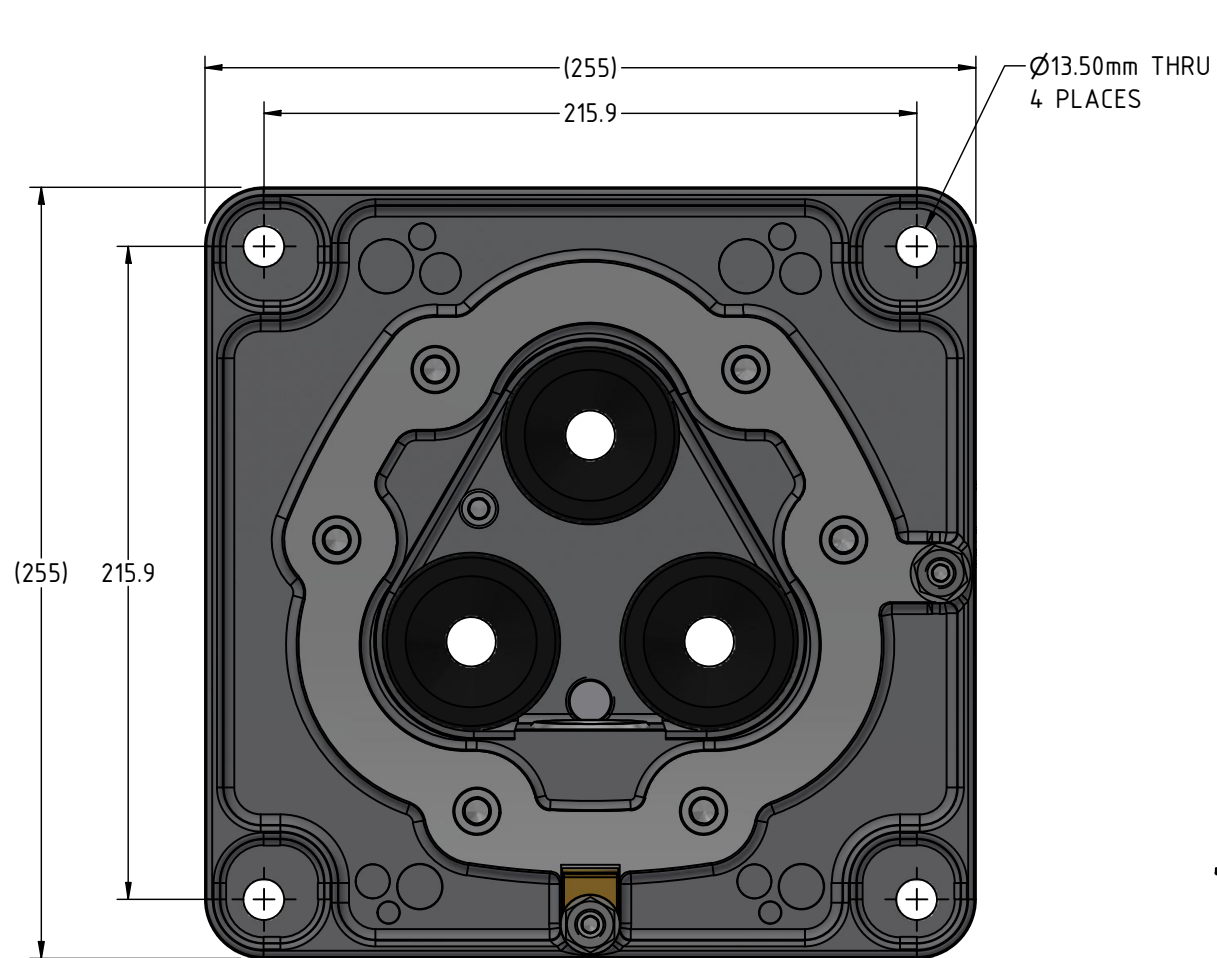
INITIAL RELEASE

03/10/2023

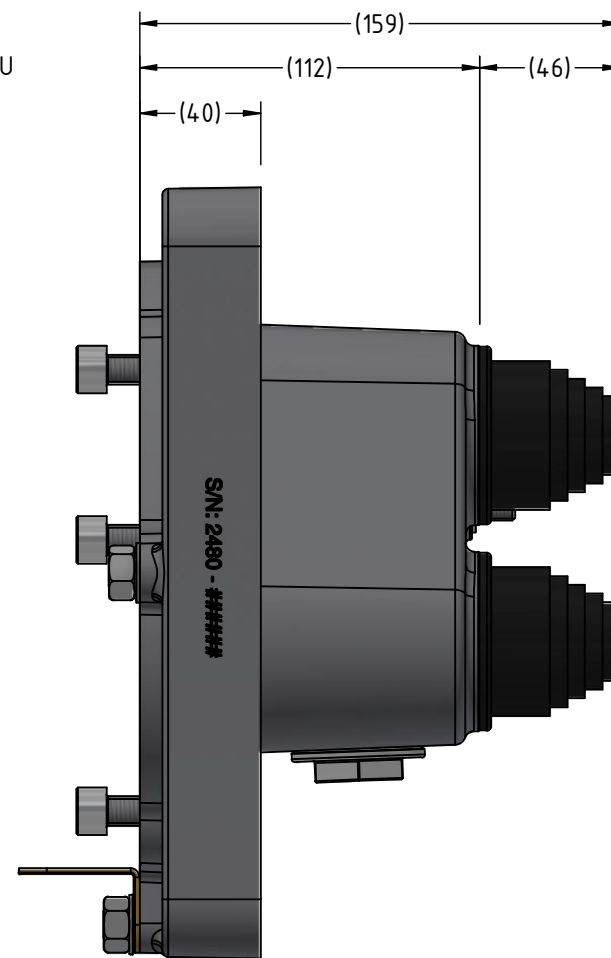
# ADAPTOR FLANGE



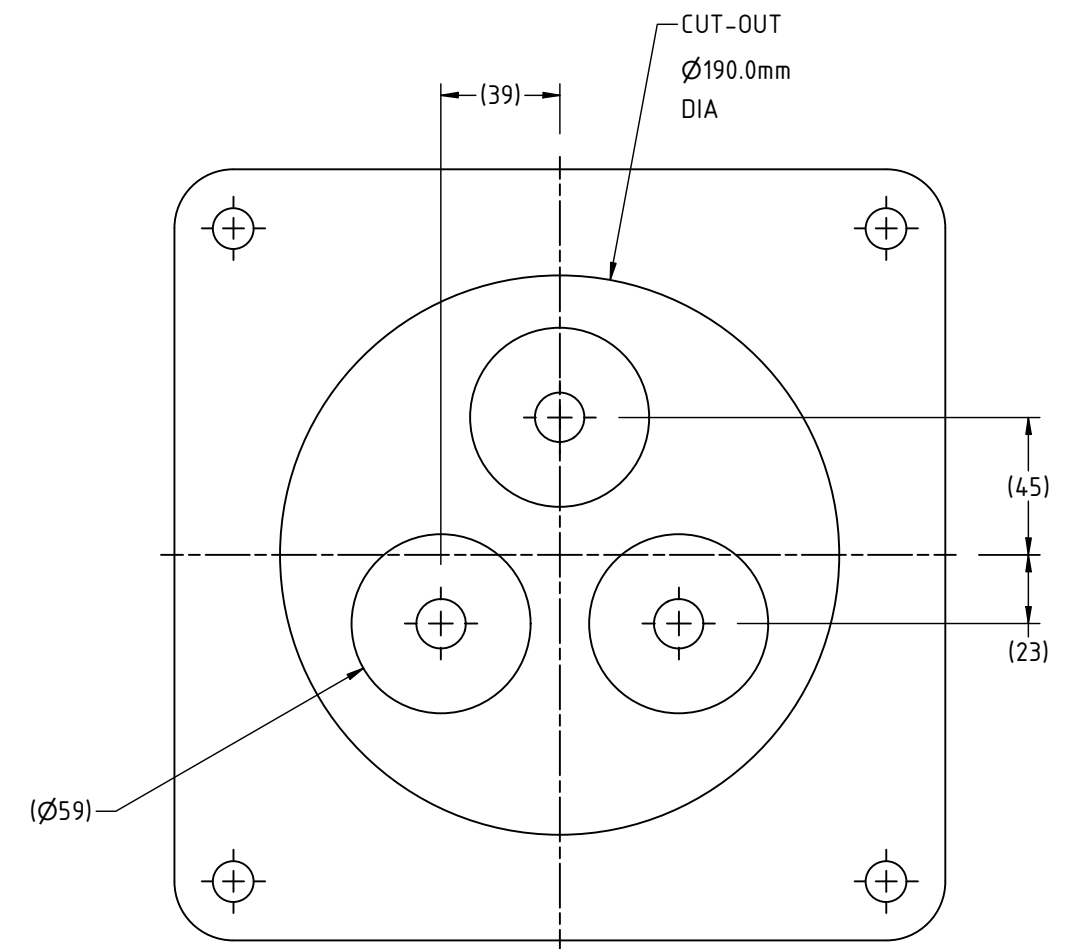
ISOMETRIC VIEW



FRONT VIEW



SIDE VIEW



FRONT VIEW



DRAWN BY  
L.BELL

PART NAME  
Ex118BSSRF - PRODUCT DIMENSIONS

APPROVED BY  
D.MINENKO

DRAWN DATE  
18/09/2023

SURFACE FINISH

MACHINED

SIZE  
A3

UNLESS OTHERWISE SPECIFIED  
DIMENSIONS (Metric-millimetre-mm)  
ALL SURFACE FINISHES TO ✓



SHEET  
4 OF 5  
ENG DWG

DRAWING NOT TO SCALE  
Request Dimensions If In Doubt

PART NO.

MATERIAL  
STAINLESS, SILICONE

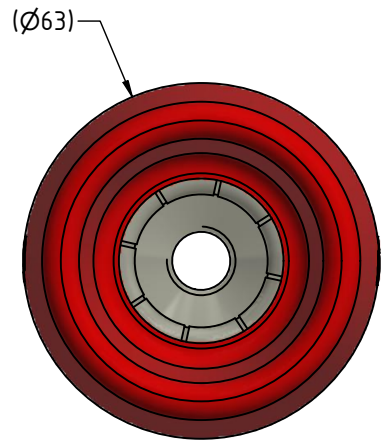
REV

2  
1

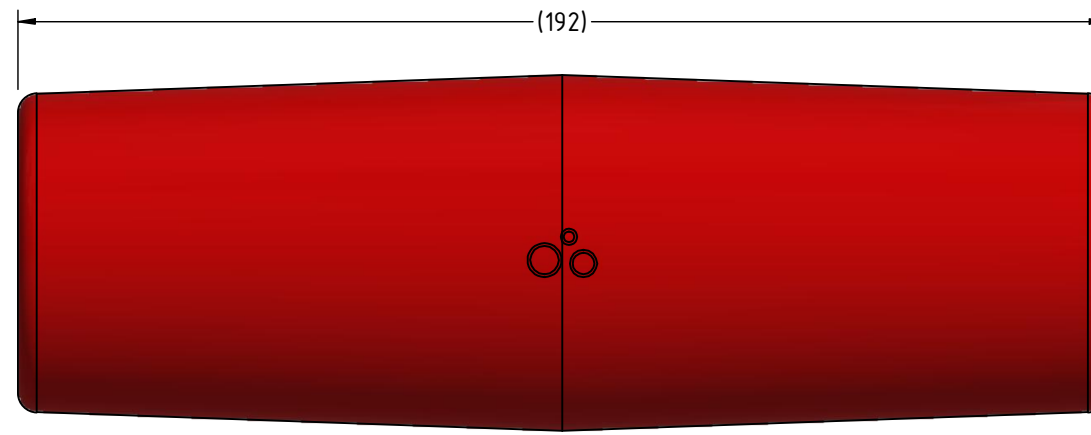
REVISION HISTORY

DESCRIPTION	DATE
ADDED HOLE PLACEMENT DIMENSIONS TO SHEET 4	22/04/2026
INITIAL RELEASE	03/10/2023

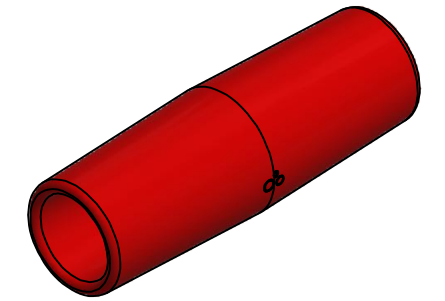
# PHASE CONNECTOR



FRONT VIEW

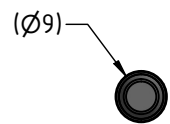


SIDE VIEW

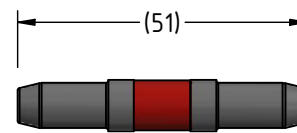


ISOMETRIC VIEW

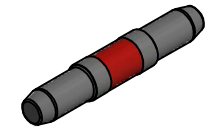
# EARTH PILOT CONNECTOR



FRONT VIEW



SIDE VIEW



ISOMETRIC VIEW



DRAWN BY  
L.BELL

PART NAME  
Ex118BSSRF - PRODUCT DIMENSIONS

APPROVED BY  
D.MINENKO

DRAWN DATE  
18/09/2023

SURFACE FINISH  
MACHINED, MOULDED

SIZE  
A3

UNLESS OTHERWISE SPECIFIED  
DIMENSIONS (Metric-millimetre-mm)  
ALL SURFACE FINISHES TO ✓



SHEET  
5 OF 5  
ENG DWG

DRAWING NOT TO SCALE  
Request Dimensions If In Doubt

PART NO.  
MATERIAL  
SILICONE, COPPER, ALUMINIUM, STAINLESS

REV

2  
1

REVISION HISTORY

DESCRIPTION	DATE
ADDED HOLE PLACEMENT DIMENSIONS TO SHEET 4	22/04/2026
INITIAL RELEASE	03/10/2023