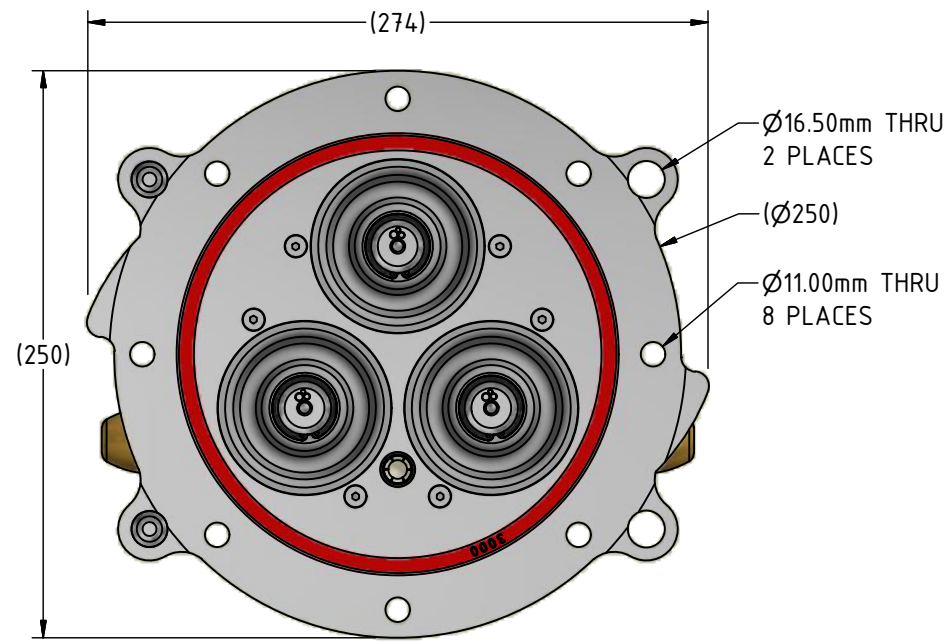
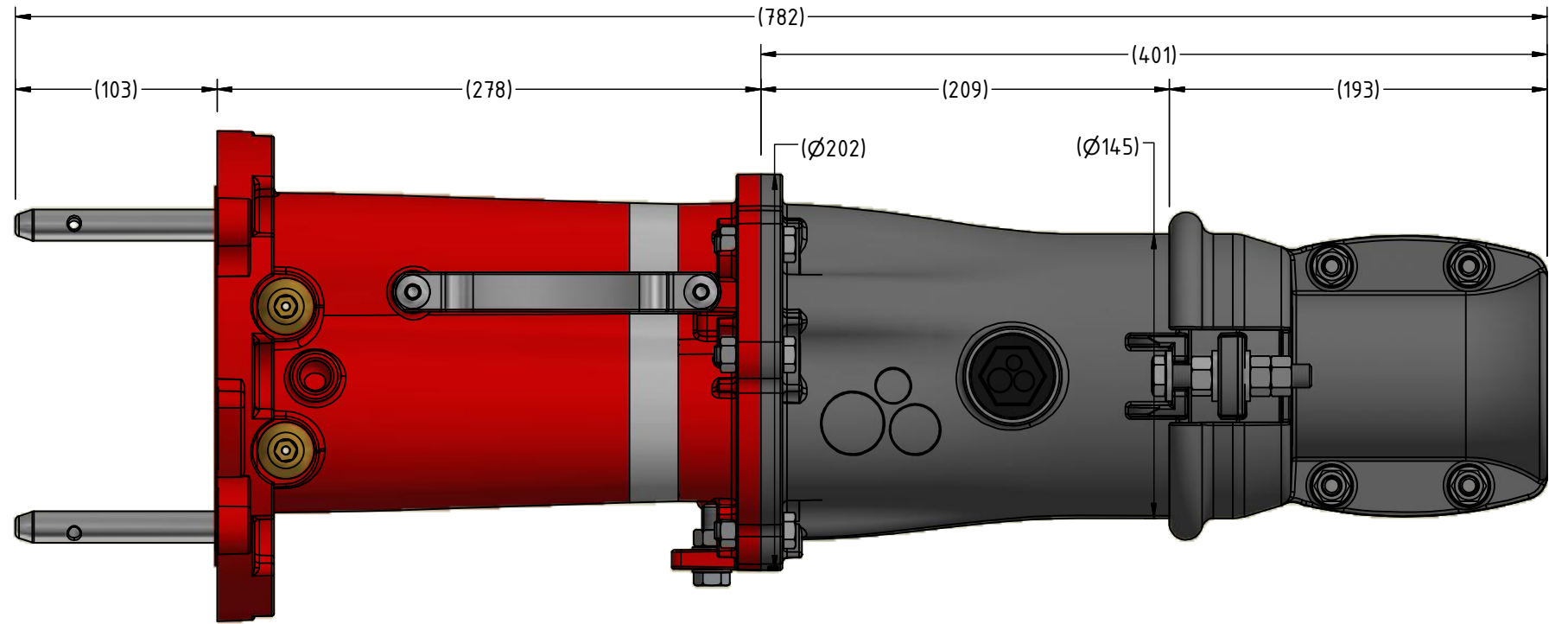


UNARMoured HOUSING

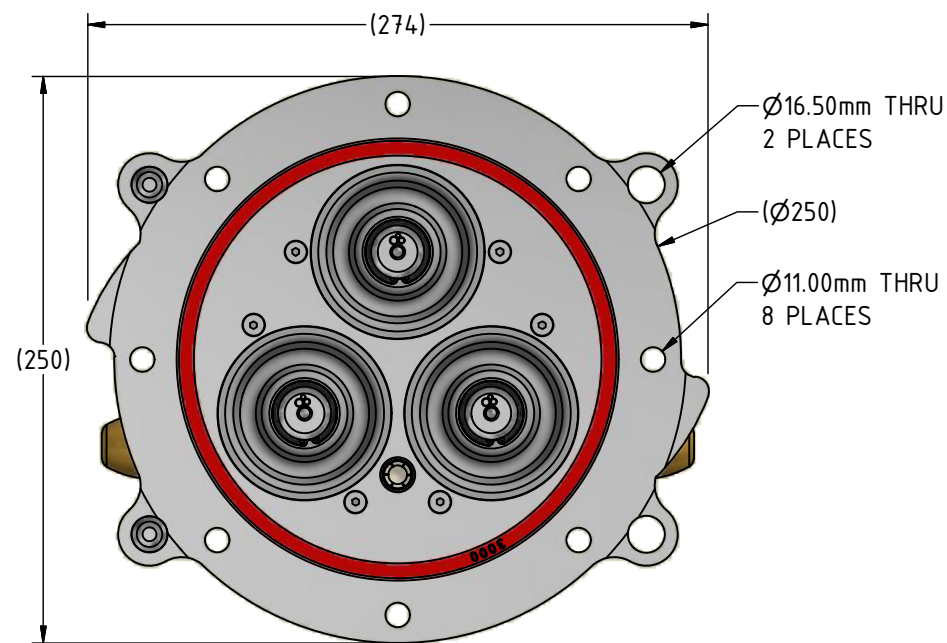


FRONT VIEW

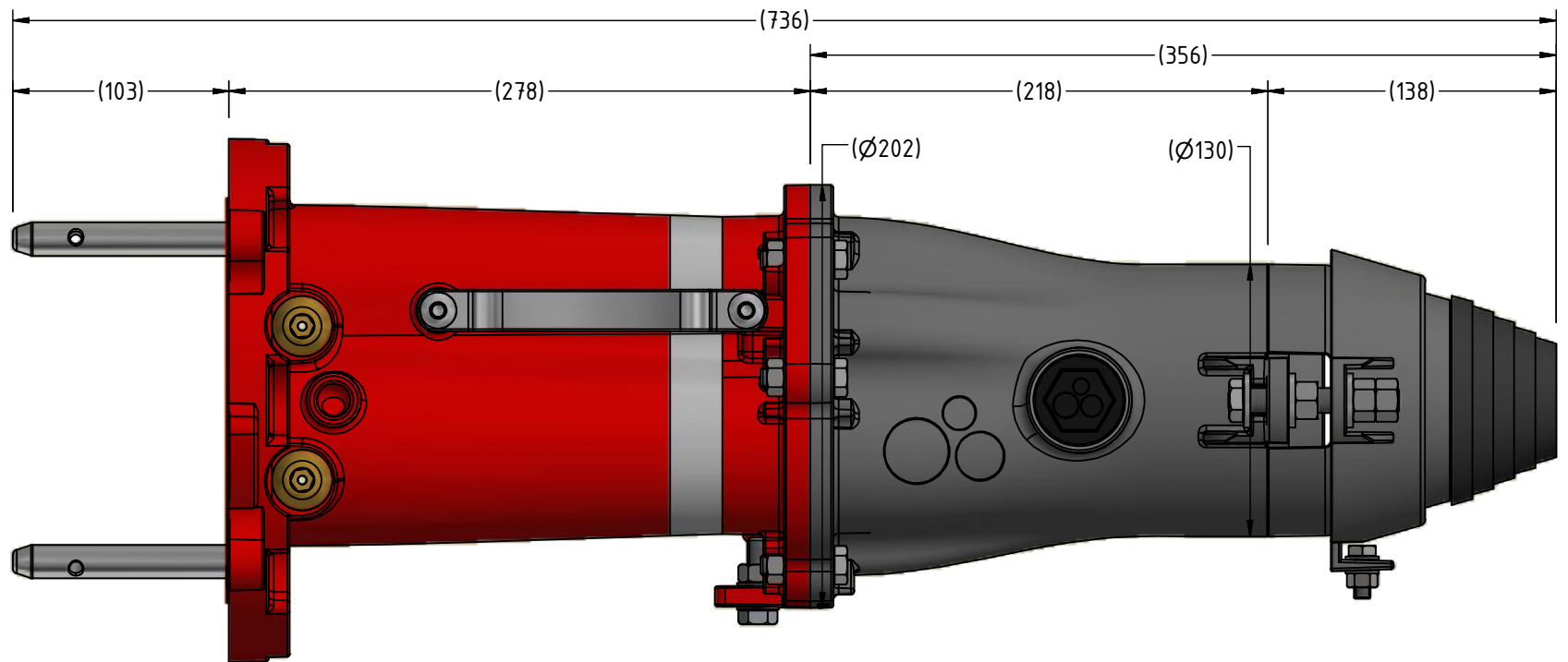


SIDE VIEW

ARMoured HOUSING



FRONT VIEW



SIDE VIEW



DRAWN BY
 L.BELL
 APPROVED BY
 D.MINENKO

PART NAME
 Ex118BSS - PRODUCT DIMENSIONS
 DRAWN DATE
 18/09/2023

SURFACE FINISH
 MACHINED, PAINTED

SIZE
 A3
 UNLESS OTHERWISE SPECIFIED
 DIMENSIONS (Metric-millimetre-mm)
 ALL SURFACE FINISHES TO



SHEET
 1 OF 5
 ENG DWG

DRAWING NOT TO SCALE
 Request Dimensions If In Doubt
 PART NO.

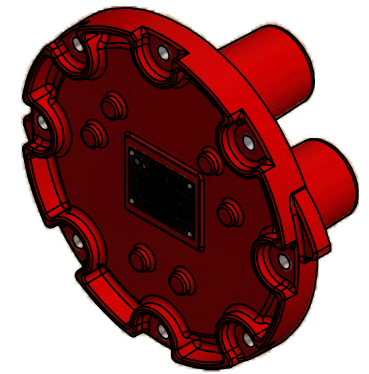
MATERIAL
 STAINLESS, ALUMINIUM, SILICONE

REV
 1

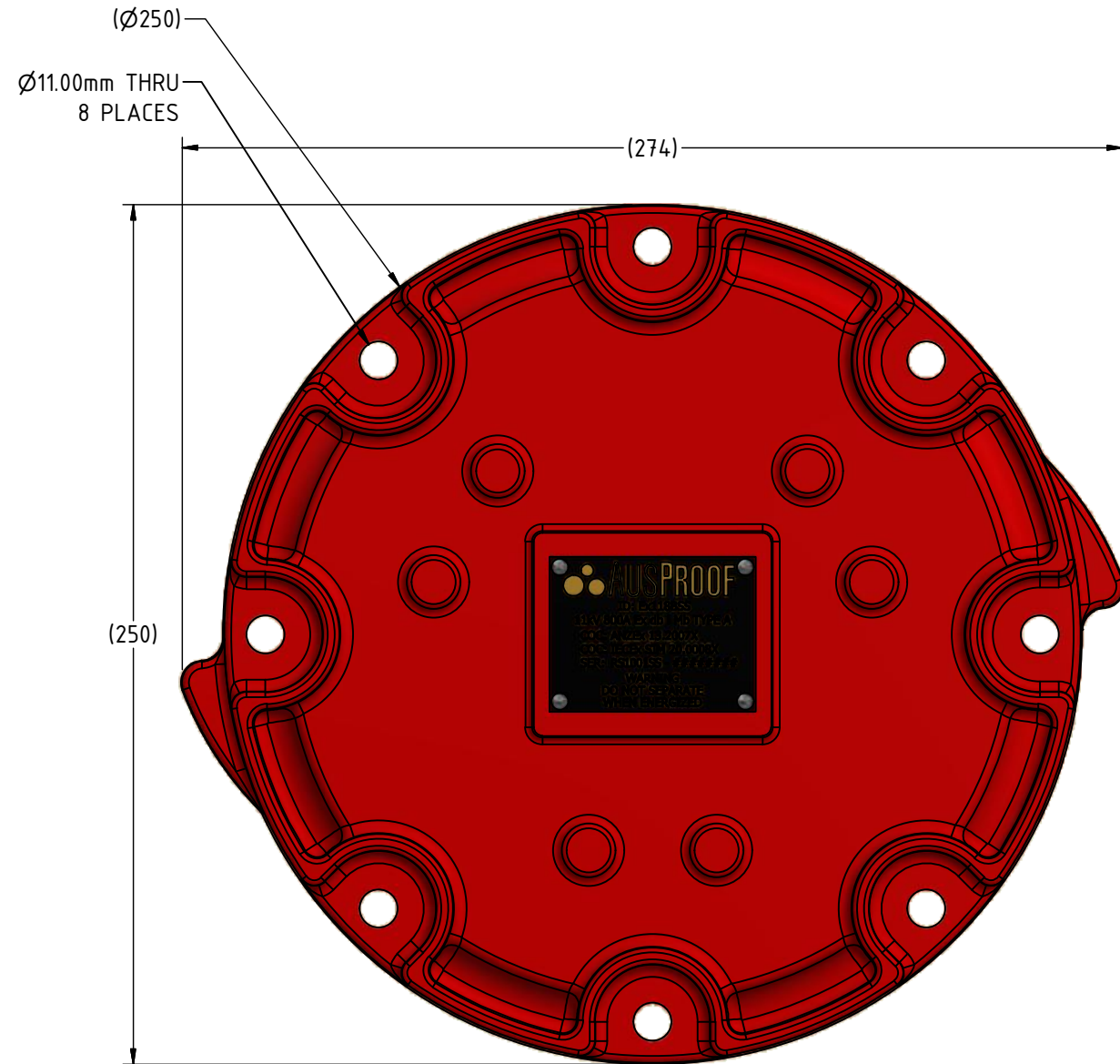
REVISION HISTORY

DESCRIPTION	DATE
INITIAL RELEASE	03/10/2023

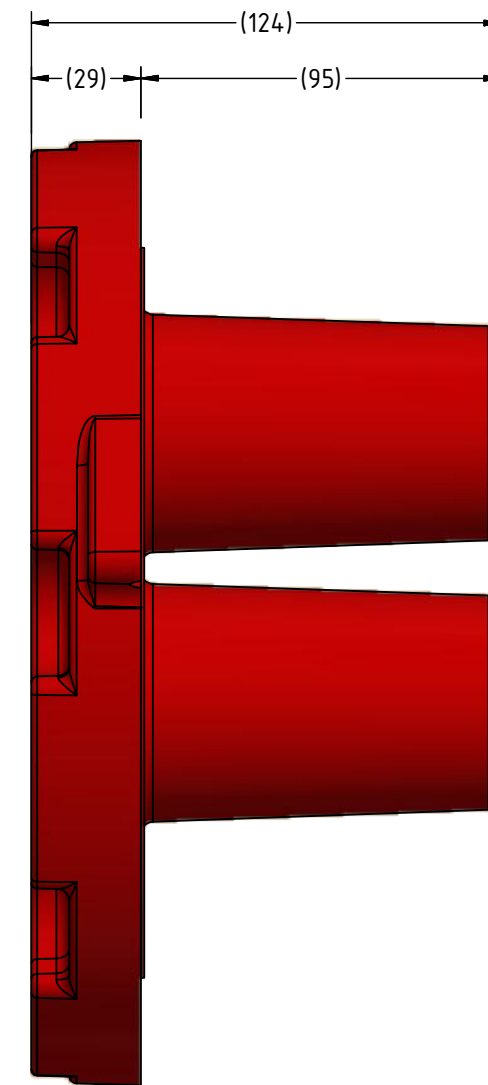
INSULATED END COVER



ISOMETRIC VIEW



FRONT VIEW



SIDE VIEW



DRAWN BY
L.BELL

PART NAME
Ex118BSS - PRODUCT DIMENSIONS

APPROVED BY
D.MINENKO

DRAWN DATE
18/09/2023

SURFACE FINISH
MACHINED, PAINTED

SIZE
A3

UNLESS OTHERWISE SPECIFIED
DIMENSIONS (Metric-millimetre-mm)
ALL SURFACE FINISHES TO ✓



SHEET
2 OF 5
ENG DWG

DRAWING NOT TO SCALE
Request Dimensions If In Doubt

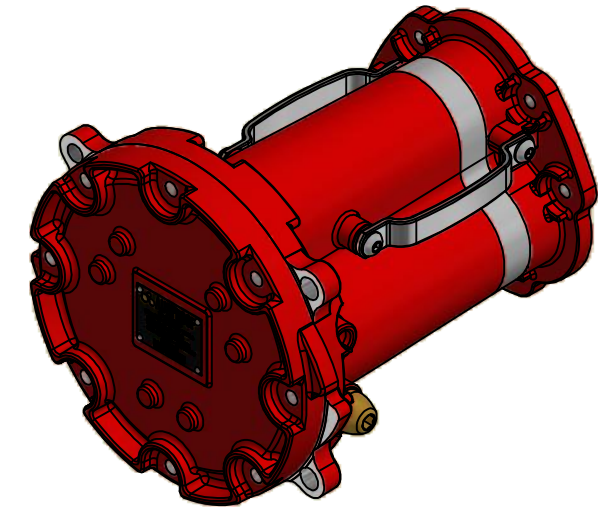
PART NO. MATERIAL
STAINLESS, SILICONE, COPPER

REV
1

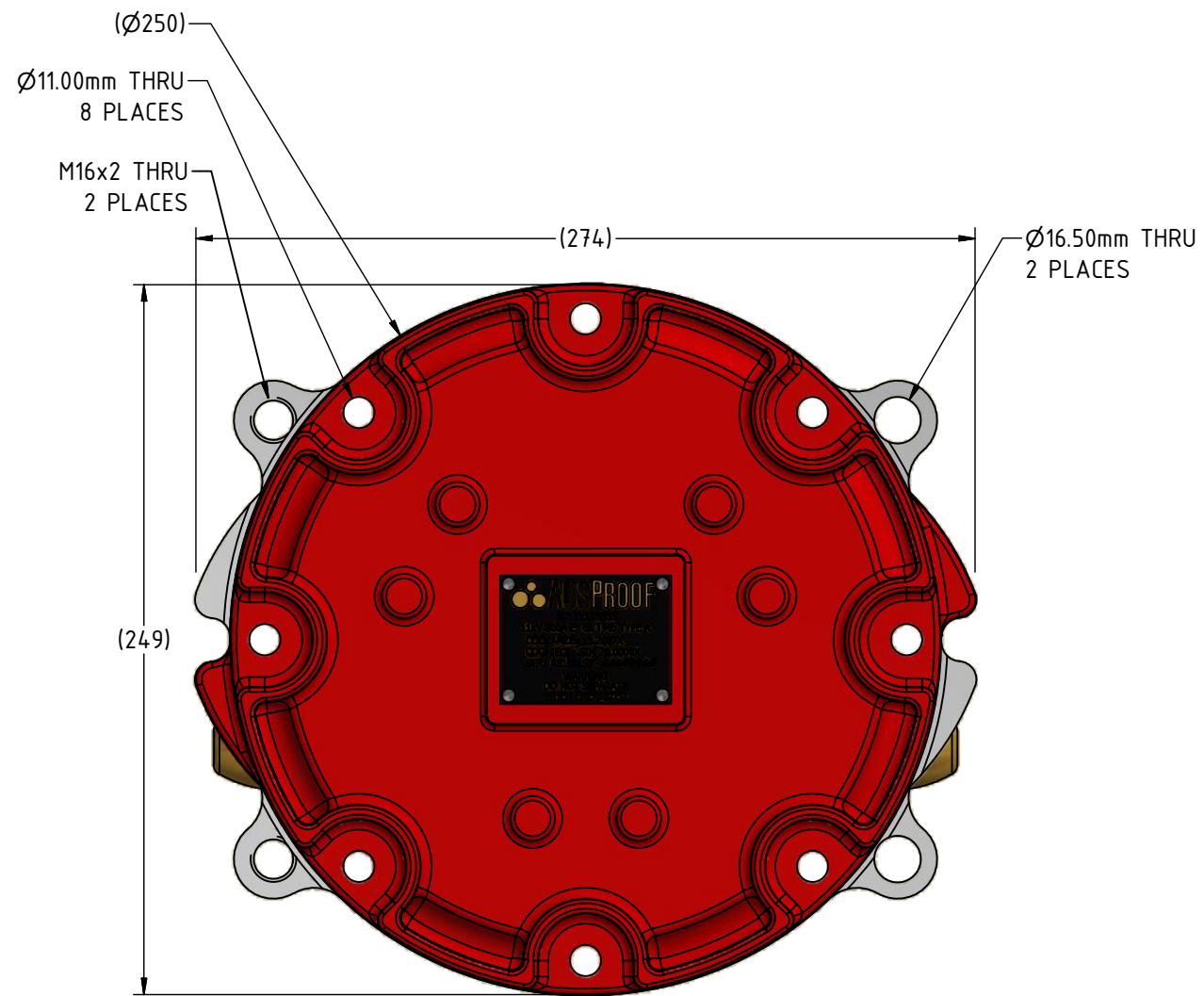
REVISION HISTORY

DESCRIPTION	DATE
INITIAL RELEASE	03/10/2023

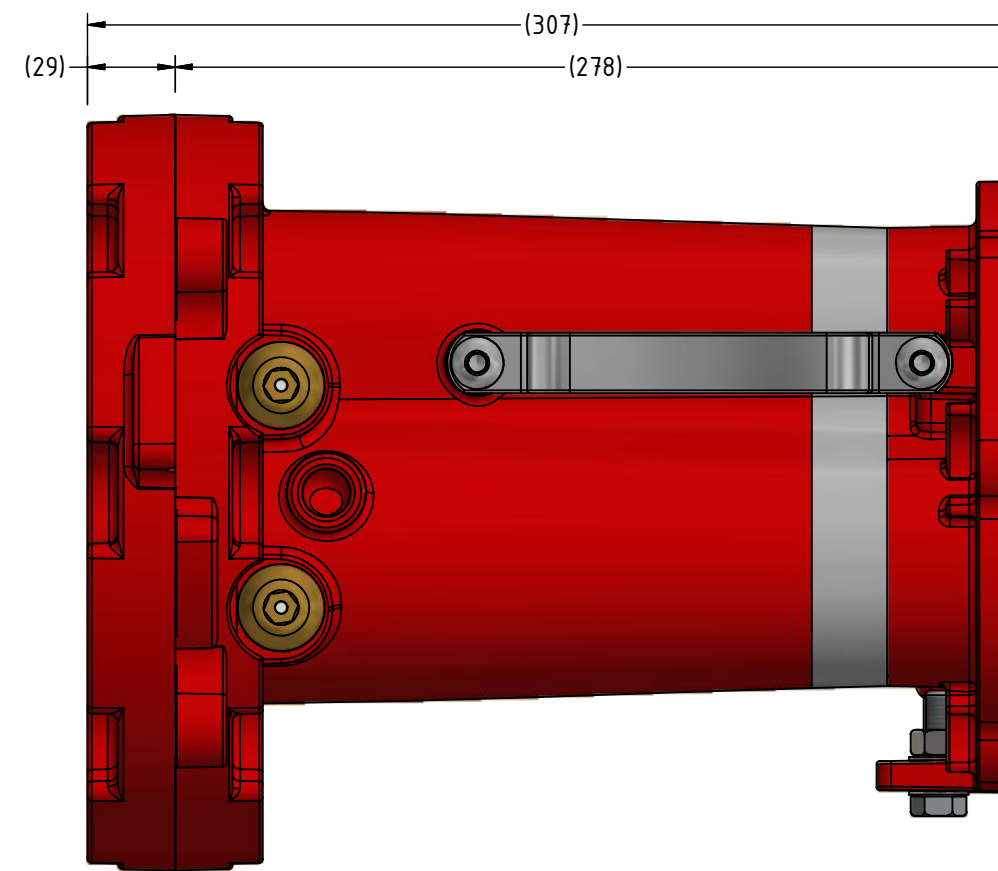
INSULATED END COVER



ISOMETRIC VIEW



FRONT VIEW



SIDE VIEW



DRAWN BY
L.BELL

APPROVED BY
D.MINENKO

PART NAME
Ex118BSS - PRODUCT DIMENSIONS

DRAWN DATE
18/09/2023

SURFACE FINISH
MACHINED, PAINTED

SIZE
A3

UNLESS OTHERWISE SPECIFIED
DIMENSIONS (Metric-millimetre-mm)
ALL SURFACE FINISHES TO



SHEET
3 OF 5

ENG DWG

DRAWING NOT TO SCALE
Request Dimensions If In Doubt

PART NO.

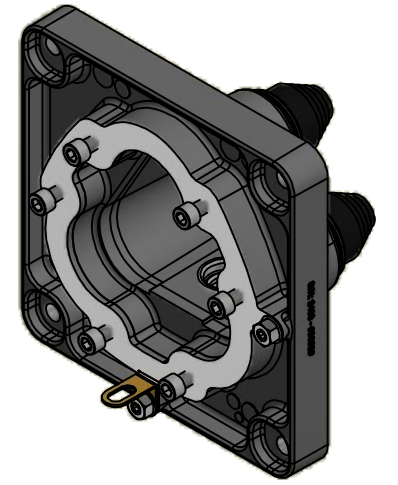
MATERIAL
STAINLESS, COPPER, ALUMINIUM, SILICONE

REV
1

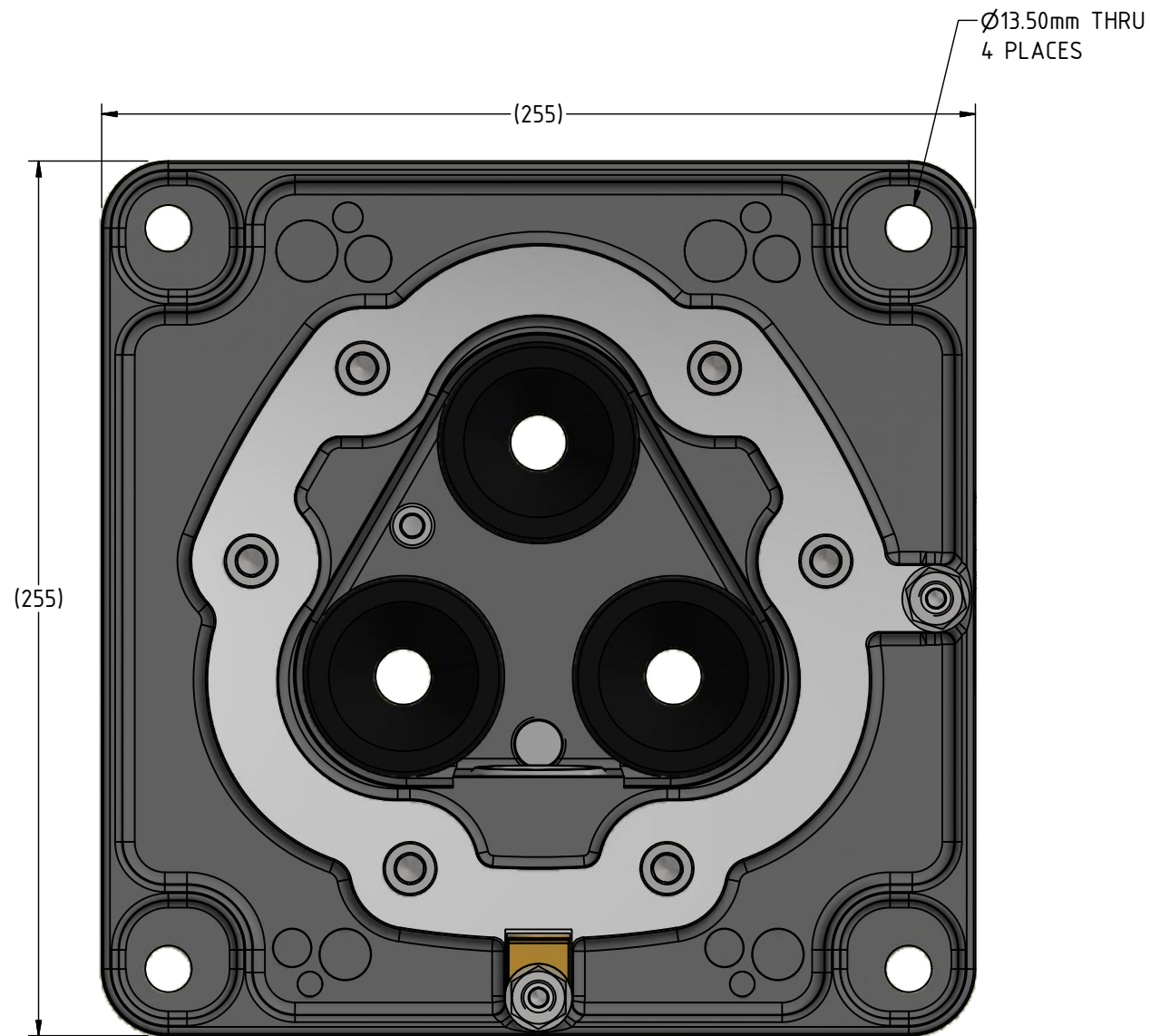
REVISION HISTORY

DESCRIPTION	DATE
INITIAL RELEASE	03/10/2023

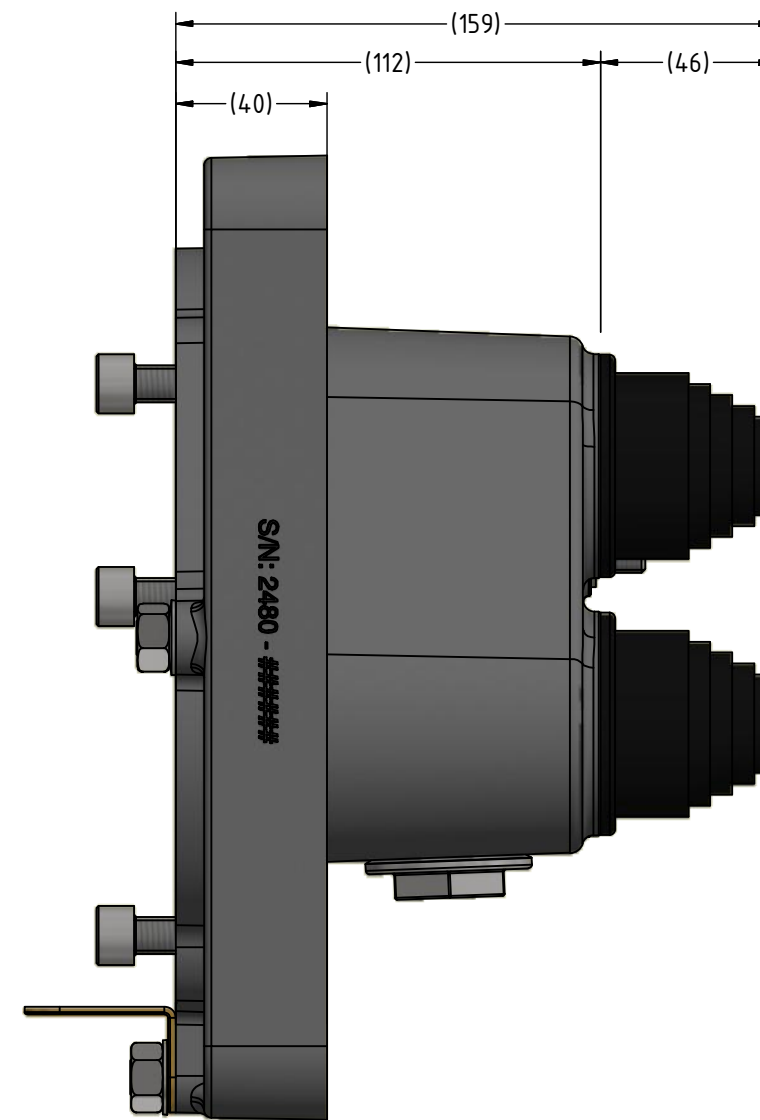
ADAPTOR FLANGE



ISOMETRIC VIEW



FRONT VIEW



SIDE VIEW



DRAWN BY
L.BELL

PART NAME
Ex118BSS - PRODUCT DIMENSIONS

APPROVED BY
D.MINENKO

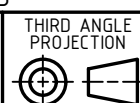
DRAWN DATE
18/09/2023

SURFACE FINISH

MACHINED

SIZE
A3

UNLESS OTHERWISE SPECIFIED
DIMENSIONS (Metric-millimetre-mm)
ALL SURFACE FINISHES TO ✓



SHEET
4 OF 5
ENG DWG

DRAWING NOT TO SCALE
Request Dimensions If In Doubt

PART NO.

MATERIAL
STAINLESS, SILICONE

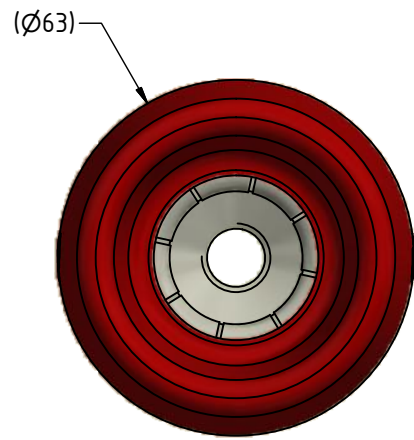
REV
1

REVISION HISTORY

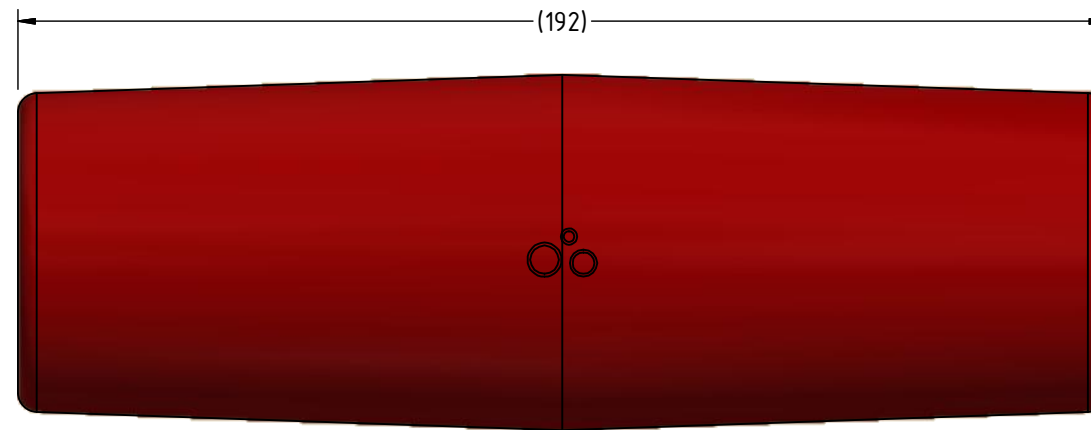
DESCRIPTION
INITIAL RELEASE

DATE
03/10/2023

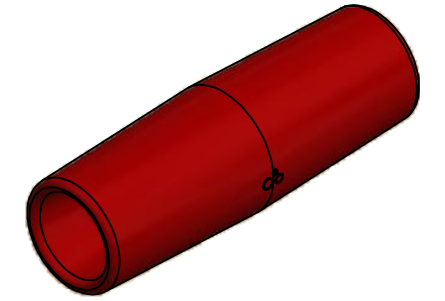
PHASE CONNECTOR



FRONT VIEW

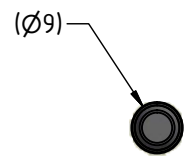


SIDE VIEW

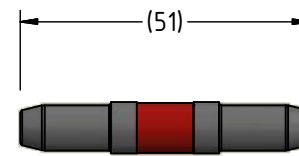


ISOMETRIC VIEW

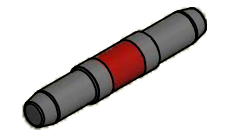
EARTH PILOT CONNECTOR



FRONT VIEW



SIDE VIEW



ISOMETRIC VIEW



DRAWN BY
L.BELL

PART NAME
Ex118BSS - PRODUCT DIMENSIONS

APPROVED BY
D.MINENKO

DRAWN DATE
18/09/2023

SURFACE FINISH
MACHINED, MOULDED

SIZE
A3

UNLESS OTHERWISE SPECIFIED
DIMENSIONS (Metric-millimetre-mm)
ALL SURFACE FINISHES TO ✓



SHEET
5 OF 5
ENG DWG

DRAWING NOT TO SCALE
Request Dimensions If In Doubt

PART NO.

MATERIAL
SILICONE, COPPER, ALUMINIUM, STAINLESS

REV
1

REVISION HISTORY

DESCRIPTION	DATE
INITIAL RELEASE	03/10/2023