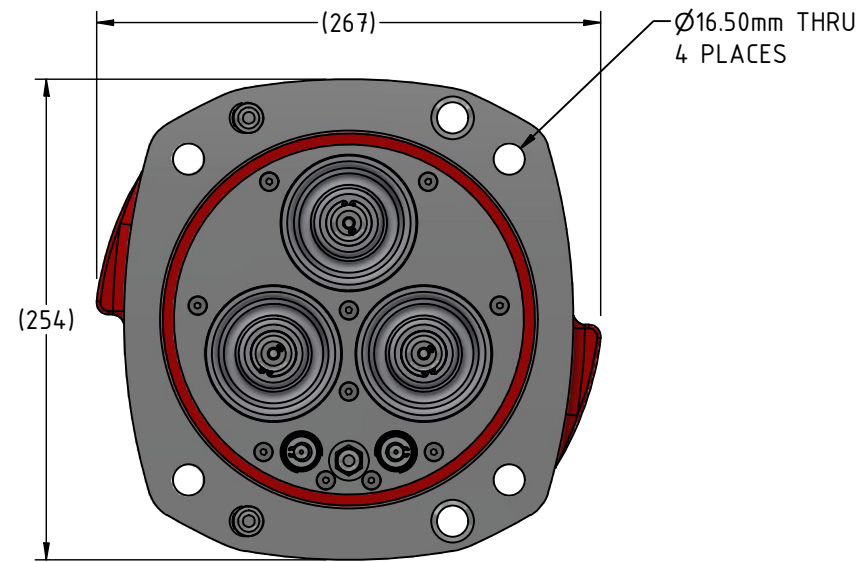
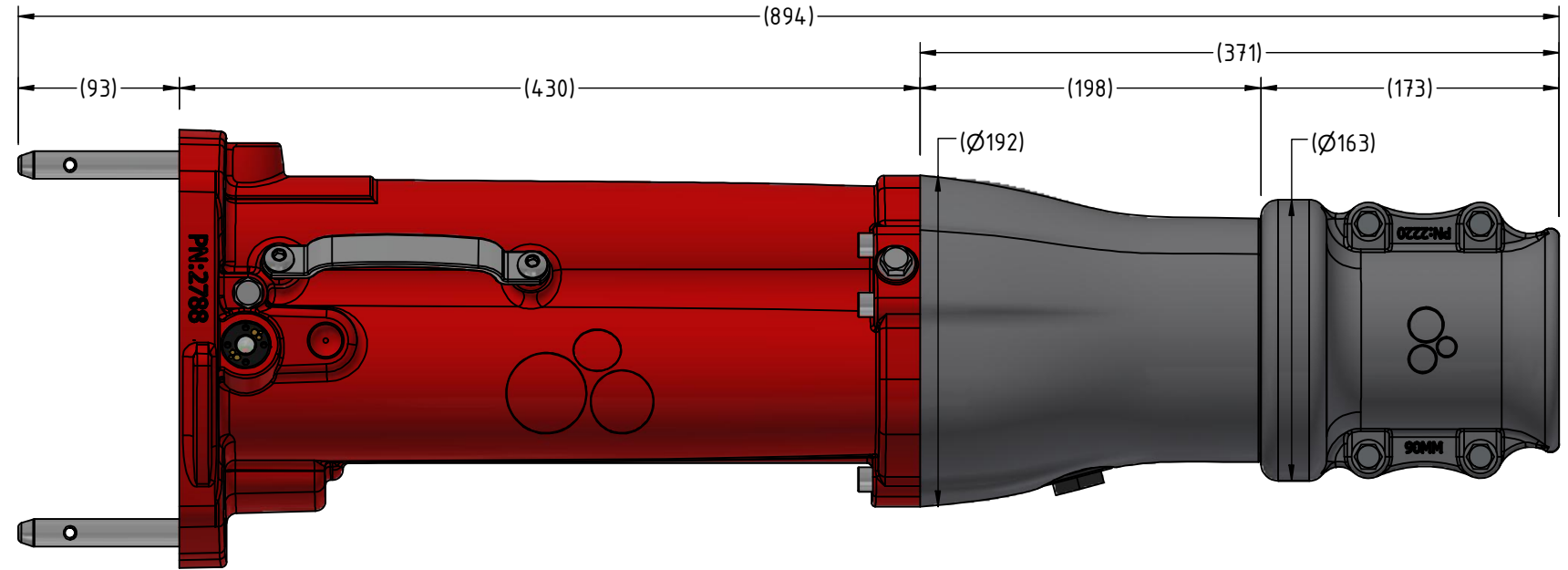


SMALL UNARMoured HOUSING

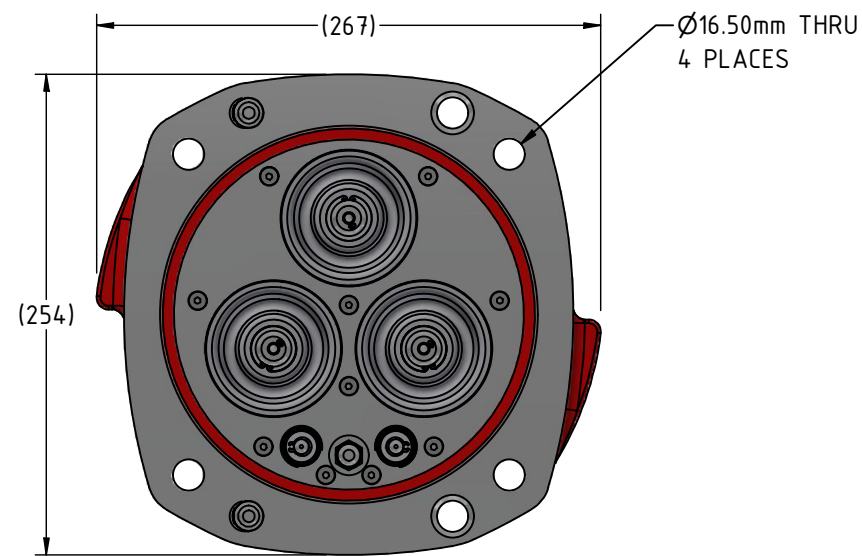


FRONT VIEW

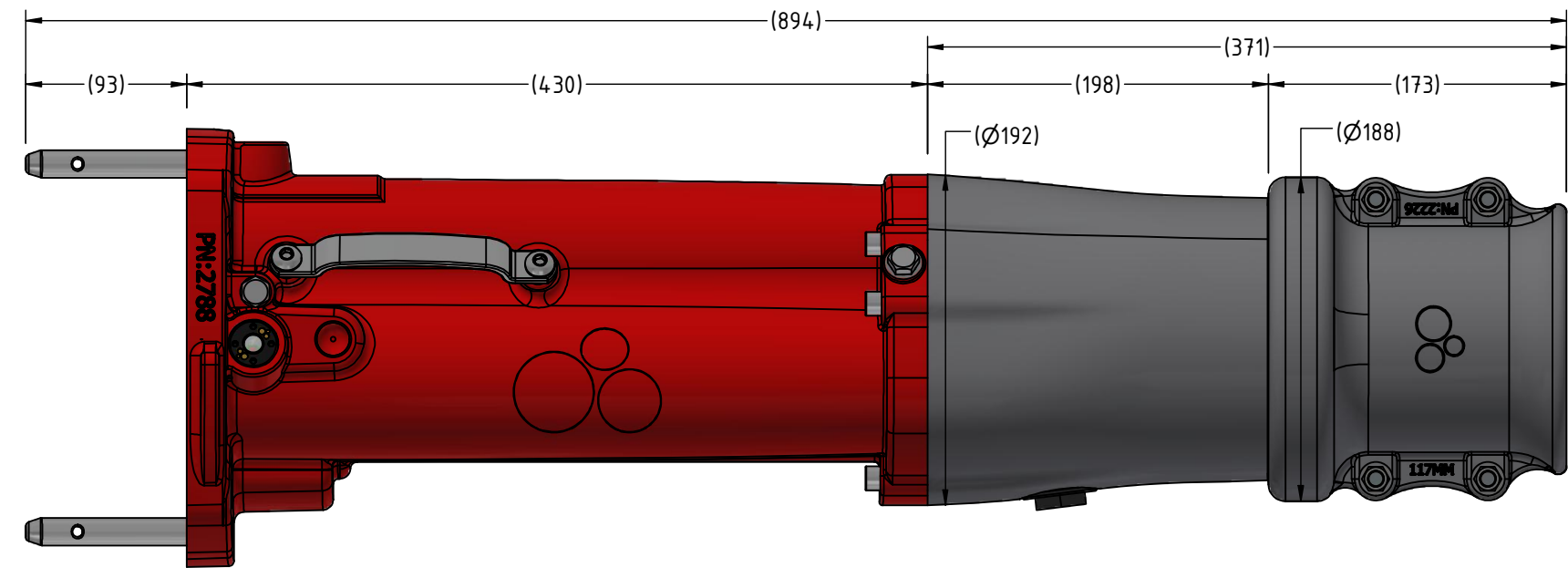


SIDE VIEW

LARGE UNARMoured HOUSING



FRONT VIEW



SIDE VIEW



DRAWN BY
L.BELL

PART NAME
22KA, 22KAMT, 22KAMTE, 22KAE - PRODUCT DIMENSIONS

APPROVED BY
C.TAYLOR

DRAWN DATE
18/09/2023

SURFACE FINISH
MACHINED, PAINTED

SHEET
1 OF 7
ENG DWG

DRAWING NOT TO SCALE
Request Dimensions If In Doubt

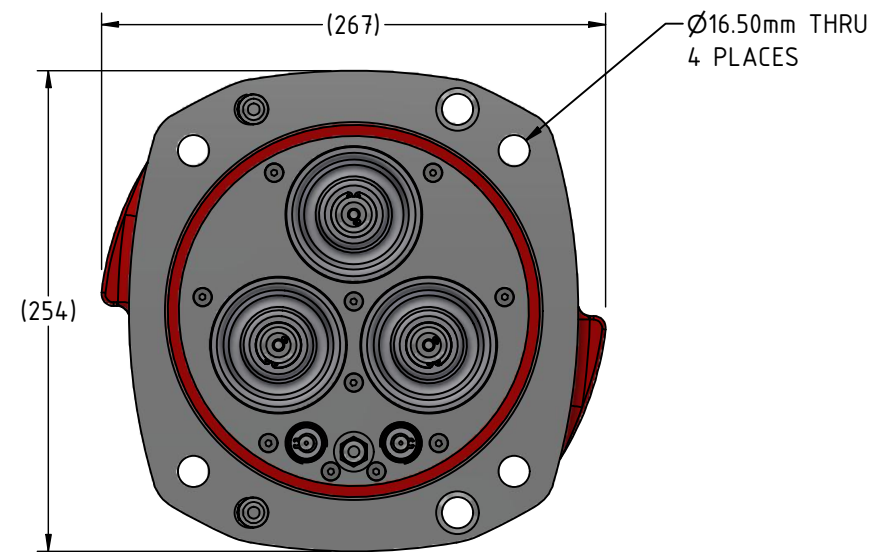
MATERIAL
ALUMINIUM, STAINLESS, COPPER, SILICONE

REVISION HISTORY		
REV	DESCRIPTION	DATE
3	ADDED PITCHING DIMENSIONS TO ADAPTOR FLANGES SHEET 5	21/04/2026
2	ADDED ADAPTORE SUPPORT BRACKET TO SHEET 6	03/03/2025
1	INITIAL RELEASE	18/09/2023

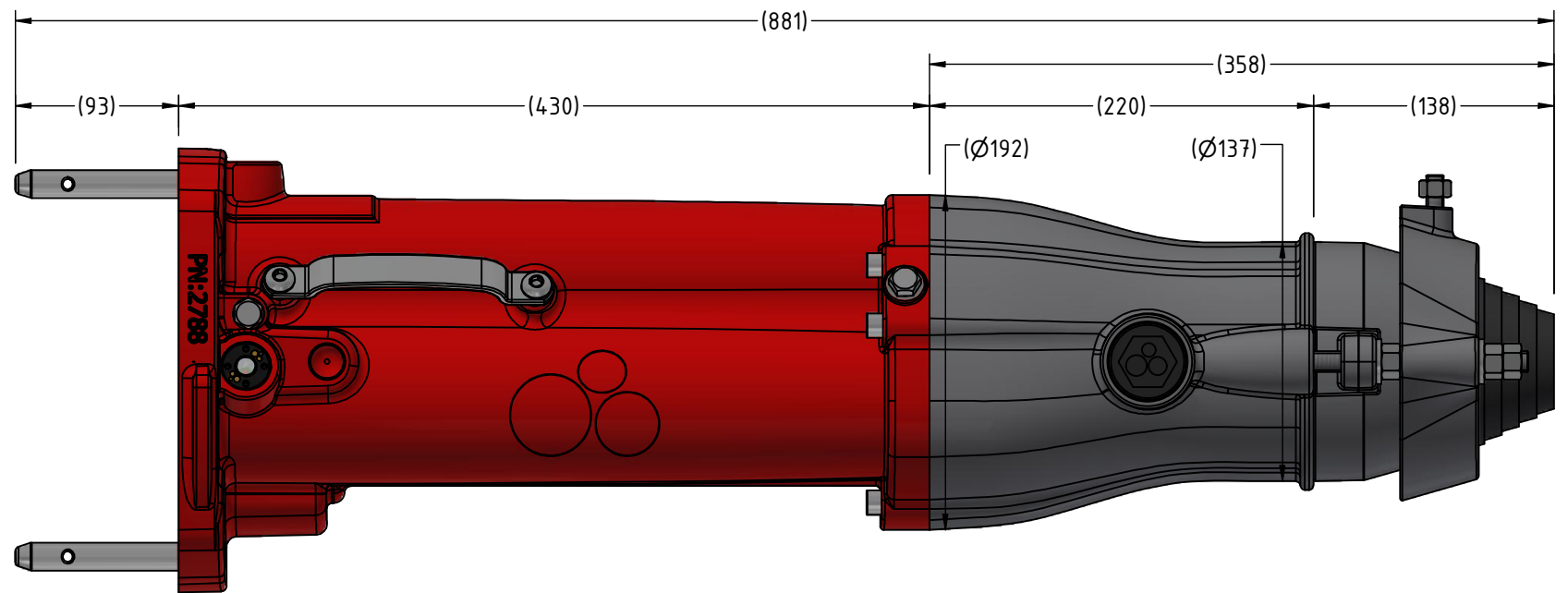
SIZE
A3
UNLESS OTHERWISE SPECIFIED
DIMENSIONS (Metric-millimetre-mm)
ALL SURFACE FINISHES TO



SMALL ARMOURED HOUSING

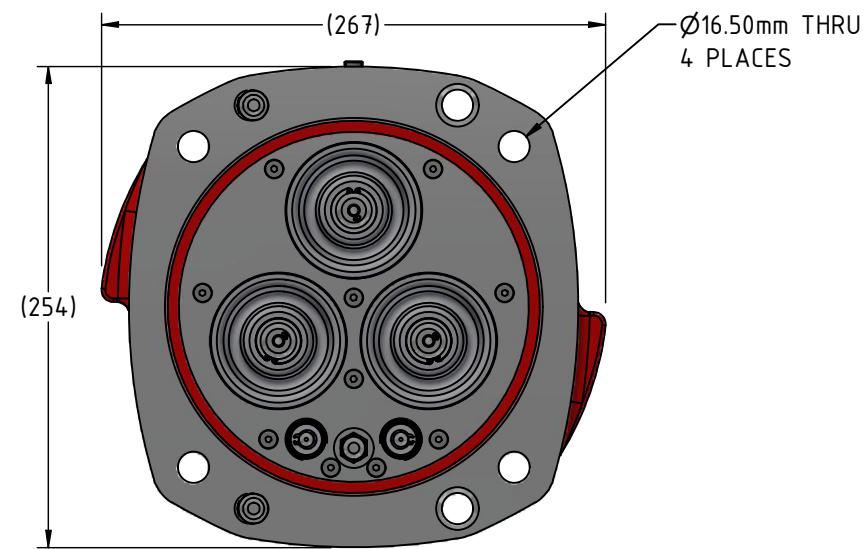


FRONT VIEW

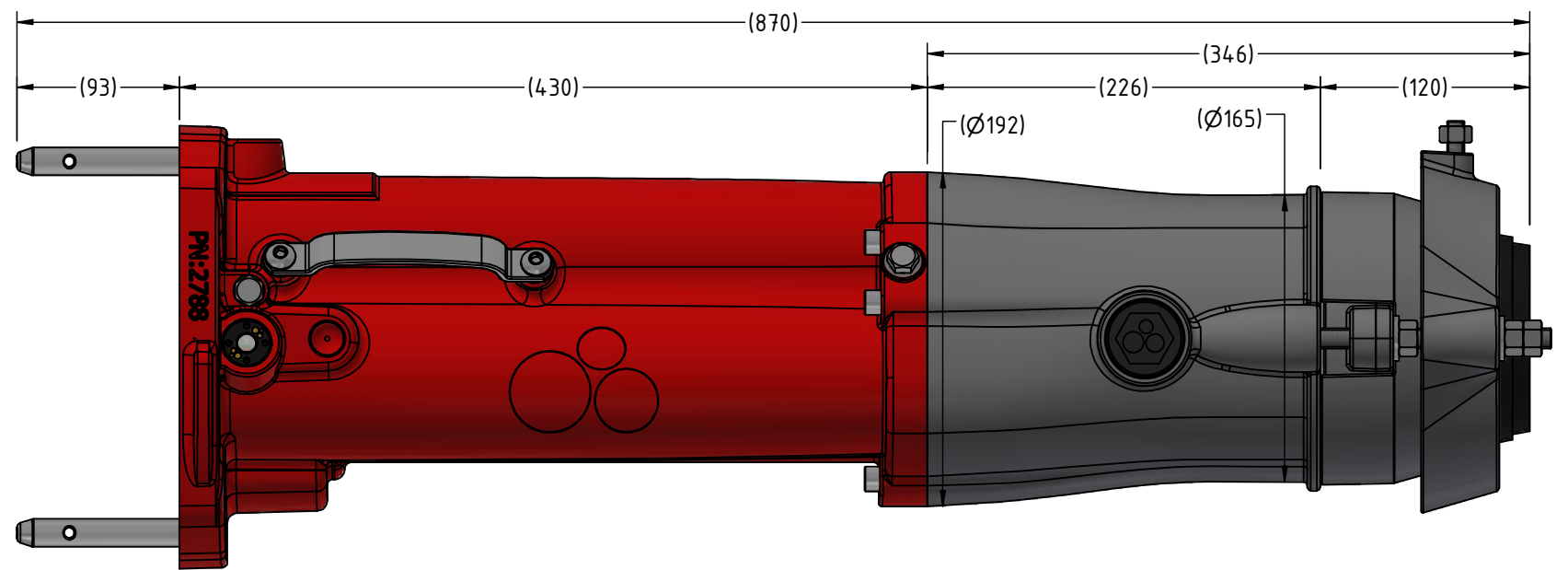


SIDE VIEW

LARGE ARMOURED HOUSING



FRONT VIEW



SIDE VIEW



DRAWN BY
L.BELL

PART NAME
22KA, 22KAMT, 22KAMTE, 22KAE - PRODUCT DIMENSIONS

APPROVED BY
C.TAYLOR

DRAWN DATE
18/09/2023

SURFACE FINISH
MACHINED, PAINTED

REVISION HISTORY

REV	DESCRIPTION	DATE
3	ADDED PITCHING DIMENSIONS TO ADAPTOR FLANGES SHEET 5	21/04/2026
2	ADDED ADAPTORE SUPPORT BRACKET TO SHEET 6	03/03/2025
1	INITIAL RELEASE	18/09/2023

SIZE
A3

UNLESS OTHERWISE SPECIFIED
DIMENSIONS (Metric-millimetre-mm)

ALL SURFACE FINISHES TO ✓



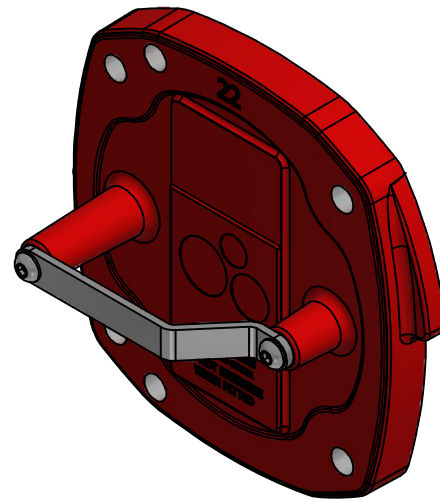
SHEET
2 OF 7

ENG DWG

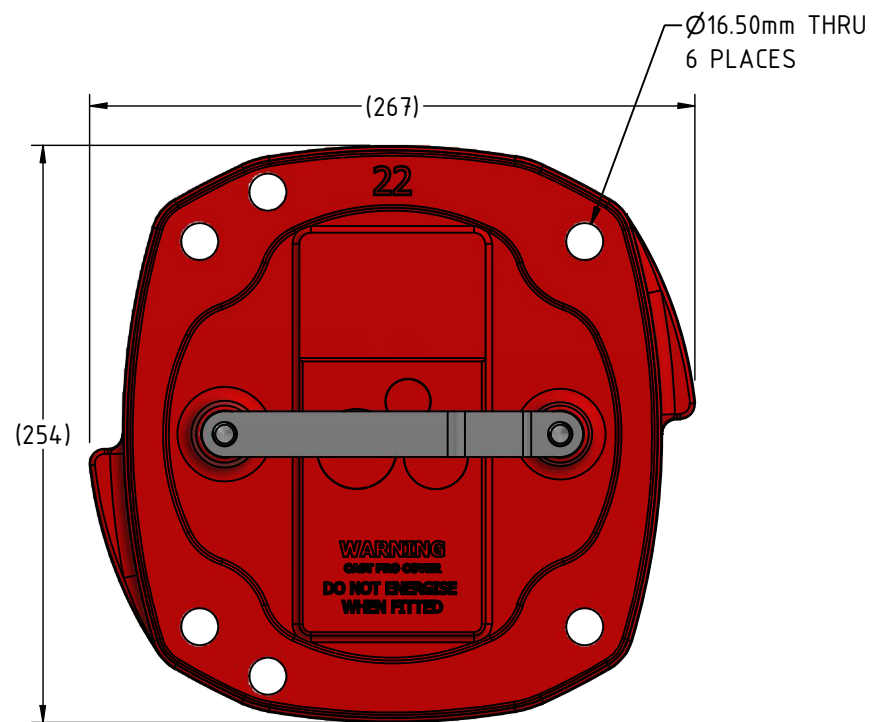
DRAWING NOT TO SCALE
Request Dimensions If In Doubt

PART NO.
MATERIAL
ALUMINIUM, SILICONE, COPPER, STAINLESS

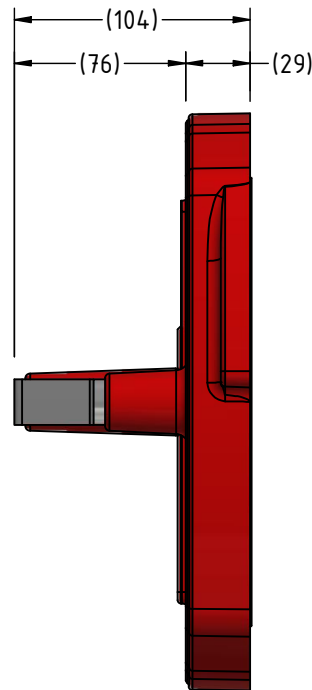
CAST PROTECTION COVER



ISOMETRIC VIEW

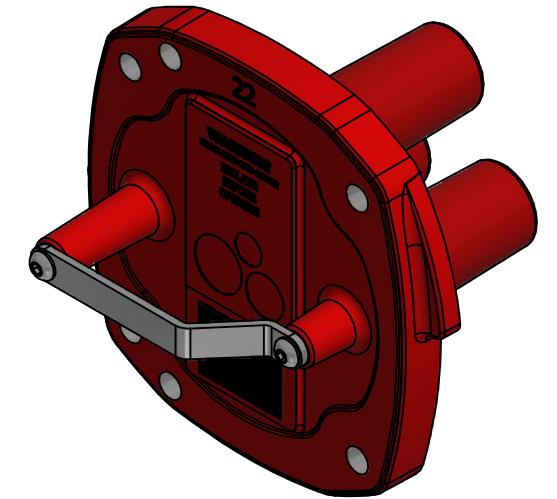


FRONT VIEW

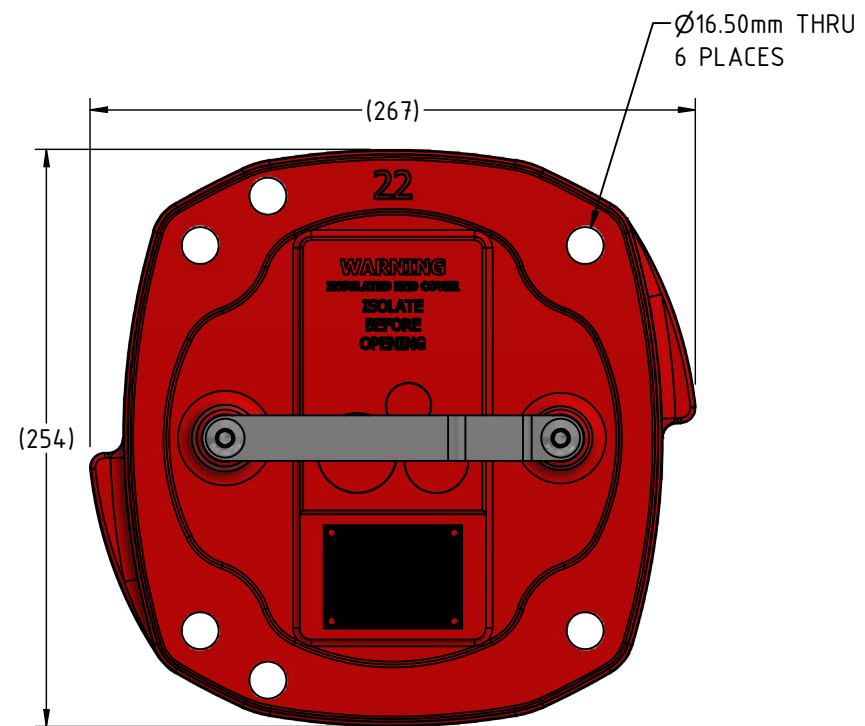


SIDE VIEW

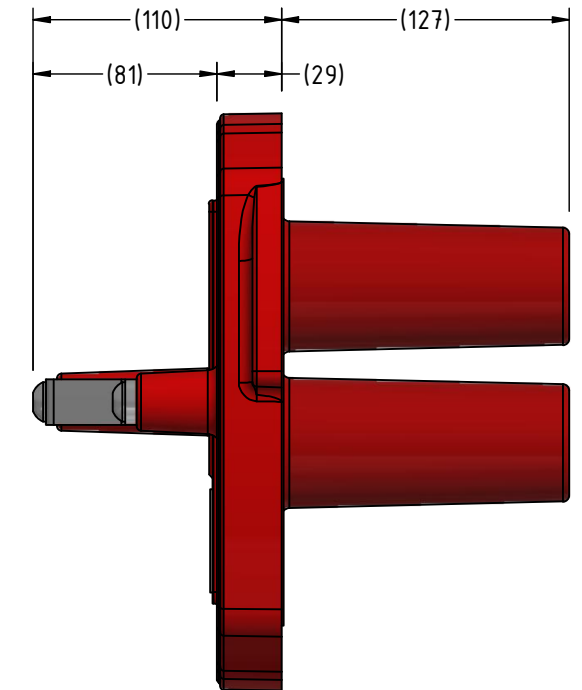
INSULATED END COVER



ISOMETRIC VIEW



FRONT VIEW



SIDE VIEW



DRAWN BY

L.BELL

APPROVED BY

C.TAYLOR

PART NAME

22KA, 22KAMT, 22KAMTE, 22KAE - PRODUCT DIMENSIONS

DRAWN DATE

18/09/2023

SURFACE FINISH

MACHINED, PAINTED

THIRD ANGLE PROJECTION

SHEET

3 OF 7

DRAWING NOT TO SCALE
Request Dimensions If In Doubt

PART NO.

MATERIAL
ALUMINIUM, STAINLESS, SILICONE

ENG DWG

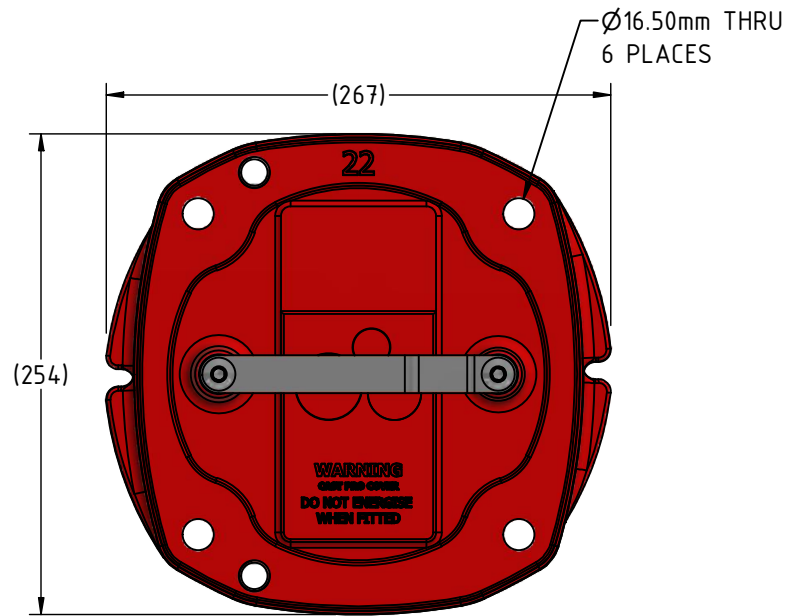
REVISION HISTORY

REV	DESCRIPTION	DATE
3	ADDED PITCHING DIMENSIONS TO ADAPTOR FLANGES SHEET 5	21/04/2026
2	ADDED ADAPTORE SUPPORT BRACKET TO SHEET 6	03/03/2025
1	INITIAL RELEASE	18/09/2023

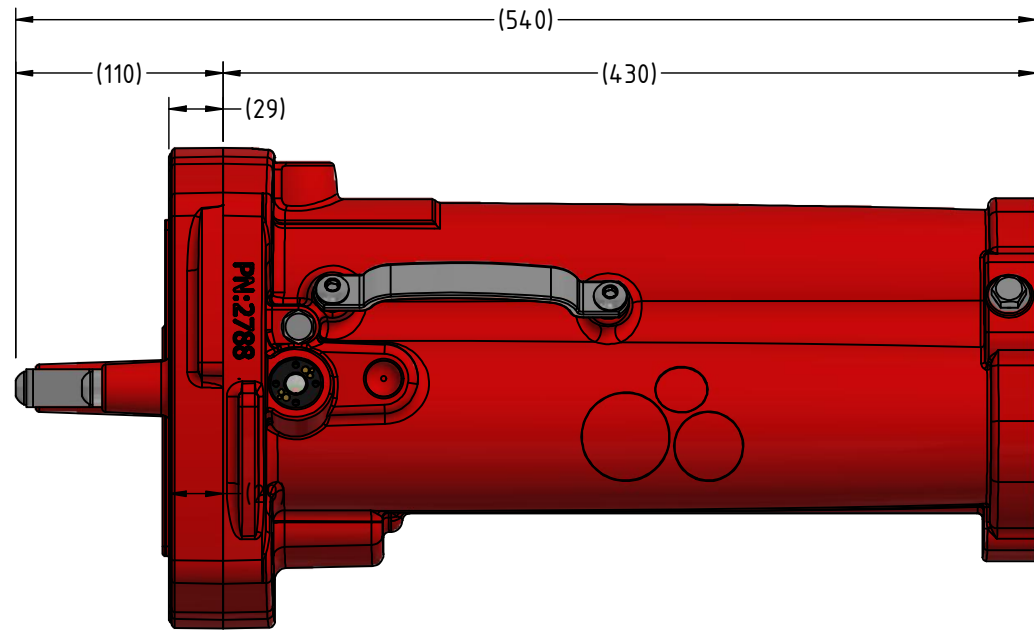
SIZE
A3

UNLESS OTHERWISE SPECIFIED
DIMENSIONS (Metric-millimetre-mm)
ALL SURFACE FINISHES TO

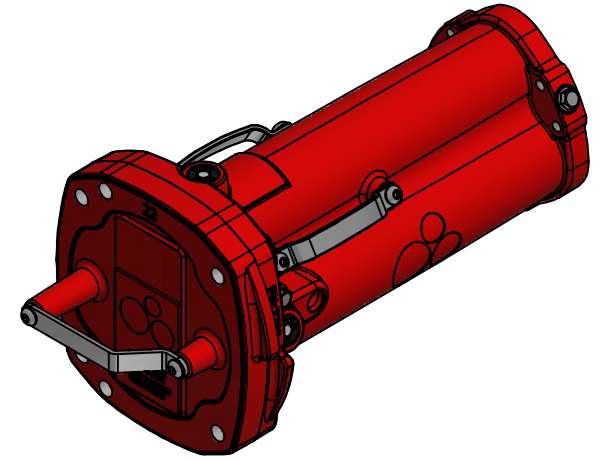
CAST PROTECTION COVER



FRONT VIEW

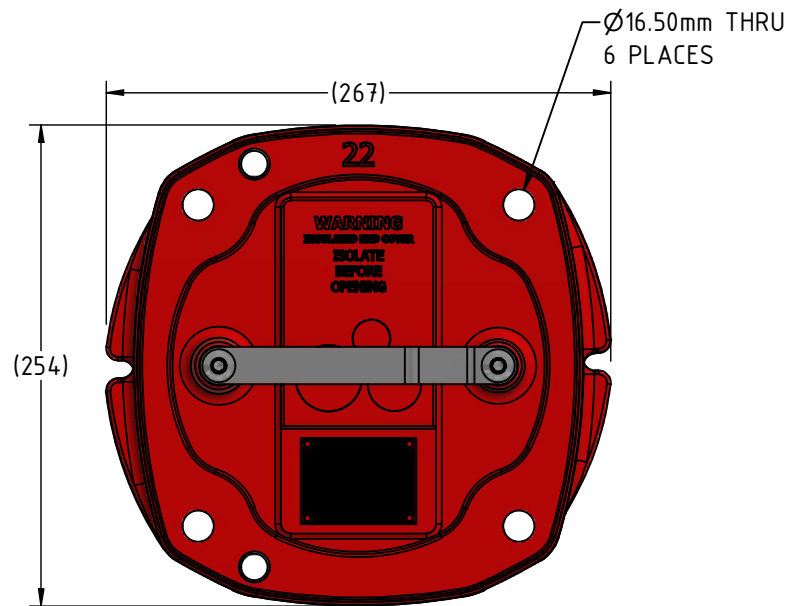


SIDE VIEW

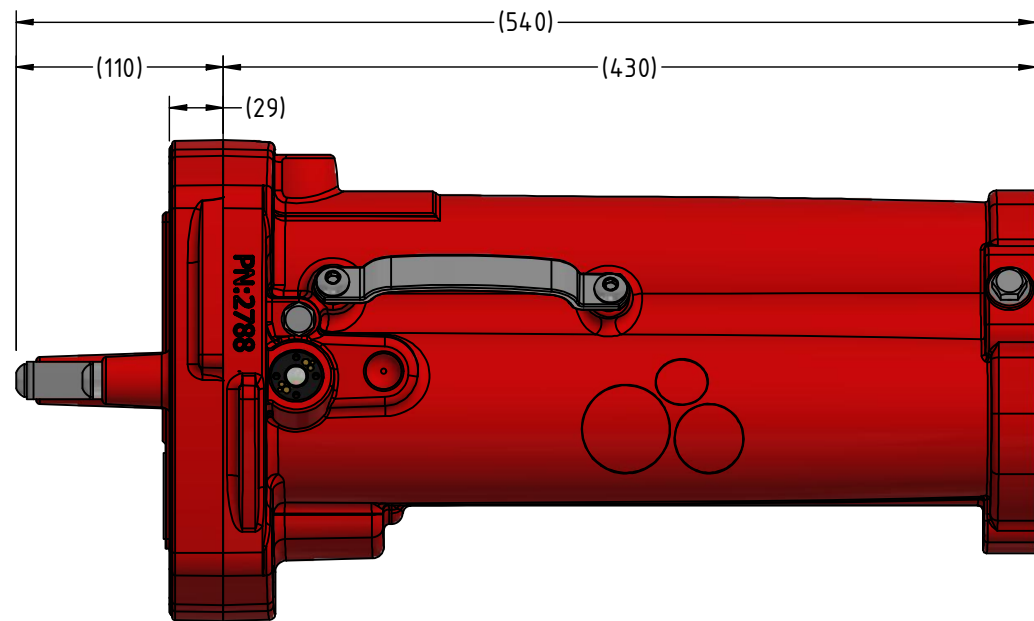


ISOMETRIC VIEW

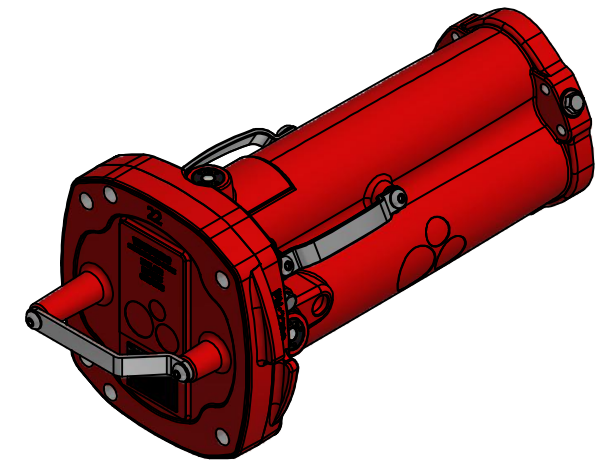
INSULATED END COVER



FRONT VIEW



SIDE VIEW



ISOMETRIC VIEW



DRAWN BY
L.BELL

PART NAME
22KA, 22KAMT, 22KAMTE, 22KAE - PRODUCT DIMENSIONS

APPROVED BY
C.TAYLOR

DRAWN DATE
18/09/2023

SURFACE FINISH
MACHINED, PAINTED

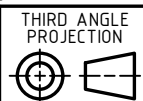
SHEET
4 OF 7
ENG DWG

DRAWING NOT TO SCALE
Request Dimensions If In Doubt

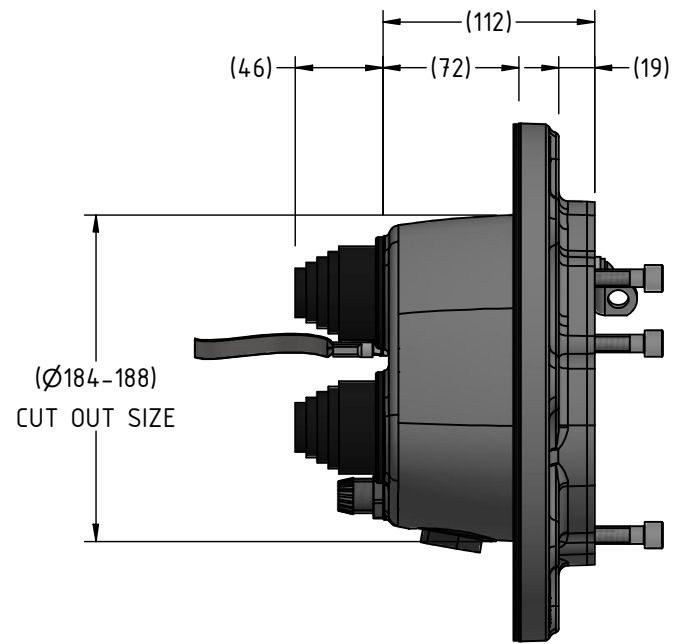
MATERIAL
ALUMINIUM, STAINLESS, SILICONE

REVISION HISTORY		
REV	DESCRIPTION	DATE
3	ADDED PITCHING DIMENSIONS TO ADAPTOR FLANGES SHEET 5	21/04/2026
2	ADDED ADAPTORE SUPPORT BRACKET TO SHEET 6	03/03/2025
1	INITIAL RELEASE	18/09/2023

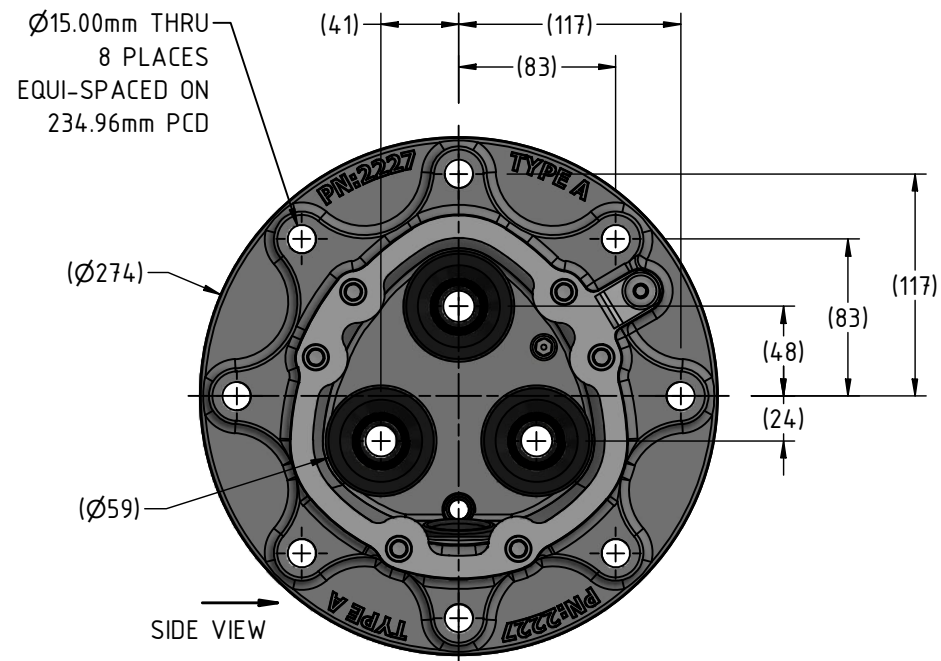
SIZE
A3
UNLESS OTHERWISE SPECIFIED
DIMENSIONS (Metric-millimetre-mm)
ALL SURFACE FINISHES TO



ADAPTOR TYPE A

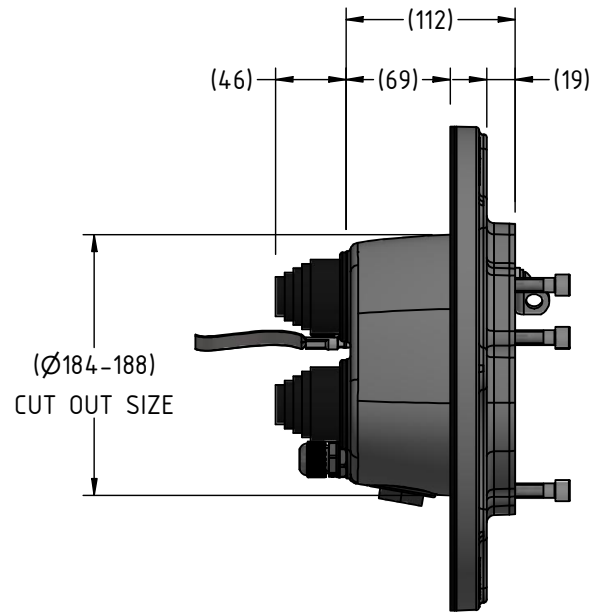


SIDE VIEW

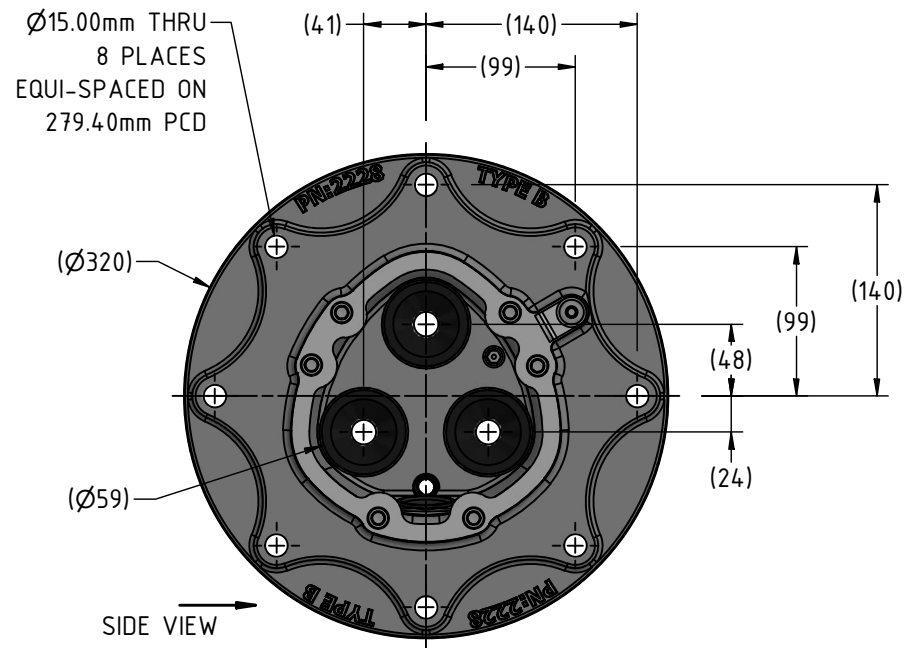


FRONT VIEW

ADAPTOR TYPE B

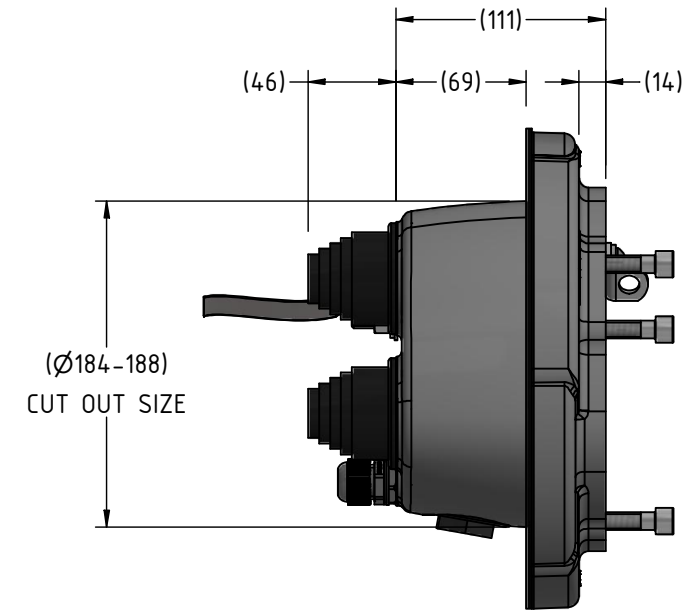


SIDE VIEW

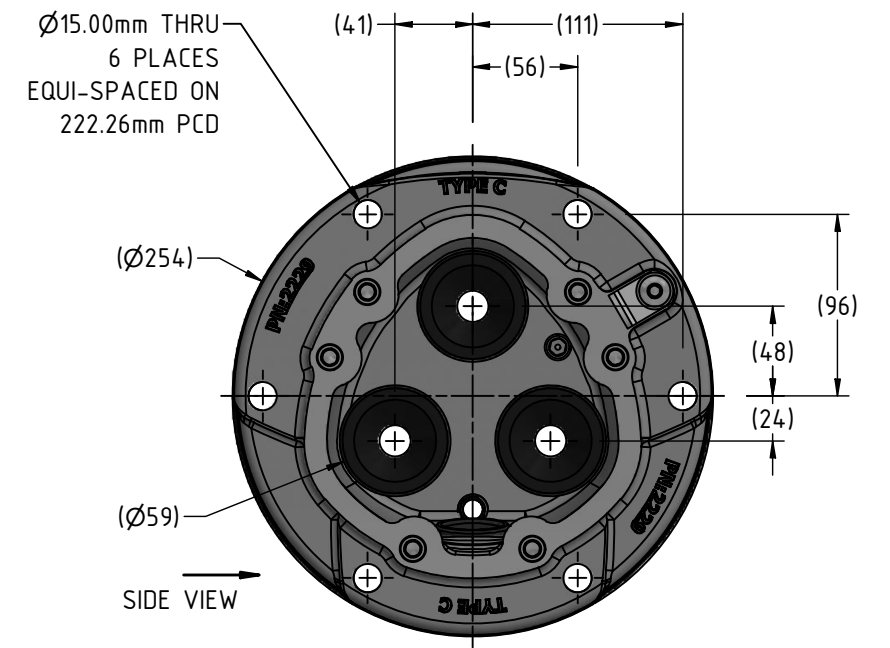


FRONT VIEW

ADAPTOR TYPE C



SIDE VIEW



FRONT VIEW



DRAWN BY
L.BELL

PART NAME
22KA, 22KAMT, 22KAMTE, 22KAE - PRODUCT DIMENSIONS

APPROVED BY
C.TAYLOR

DRAWN DATE
18/09/2023

SURFACE FINISH

MACHINED

SHEET
5 OF 7

DRAWING NOT TO SCALE
Request Dimensions If In Doubt

ENG DWG

PART NO.

MATERIAL
ALUMINIUM, SILICONE

REVISION HISTORY

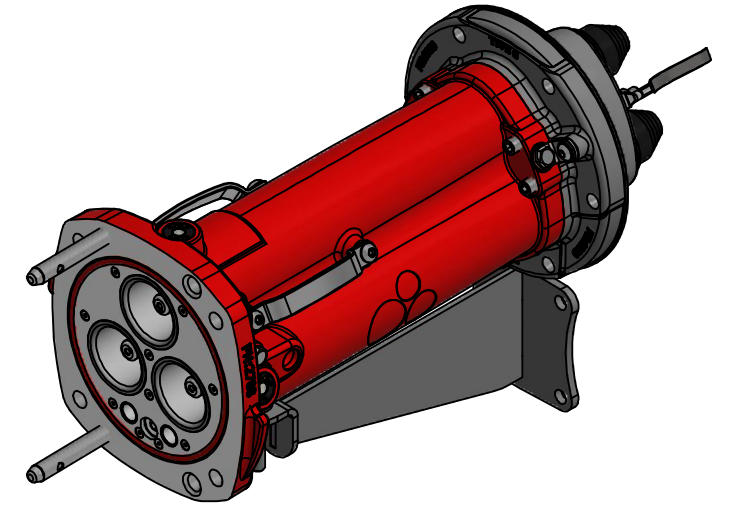
REV	DESCRIPTION	DATE
3	ADDED PITCHING DIMENSIONS TO ADAPTOR FLANGES SHEET 5	21/04/2026
2	ADDED ADAPTORE SUPPORT BRACKET TO SHEET 6	03/03/2025
1	INITIAL RELEASE	18/09/2023

SIZE
A3

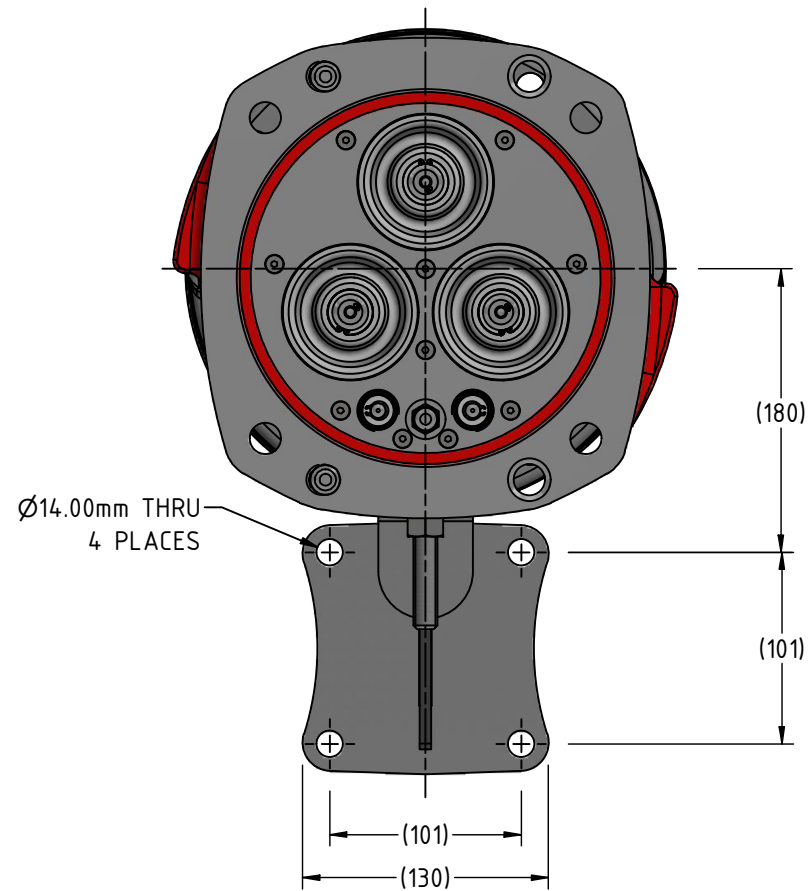
UNLESS OTHERWISE SPECIFIED
DIMENSIONS (Metric-millimetre-mm)
ALL SURFACE FINISHES TO



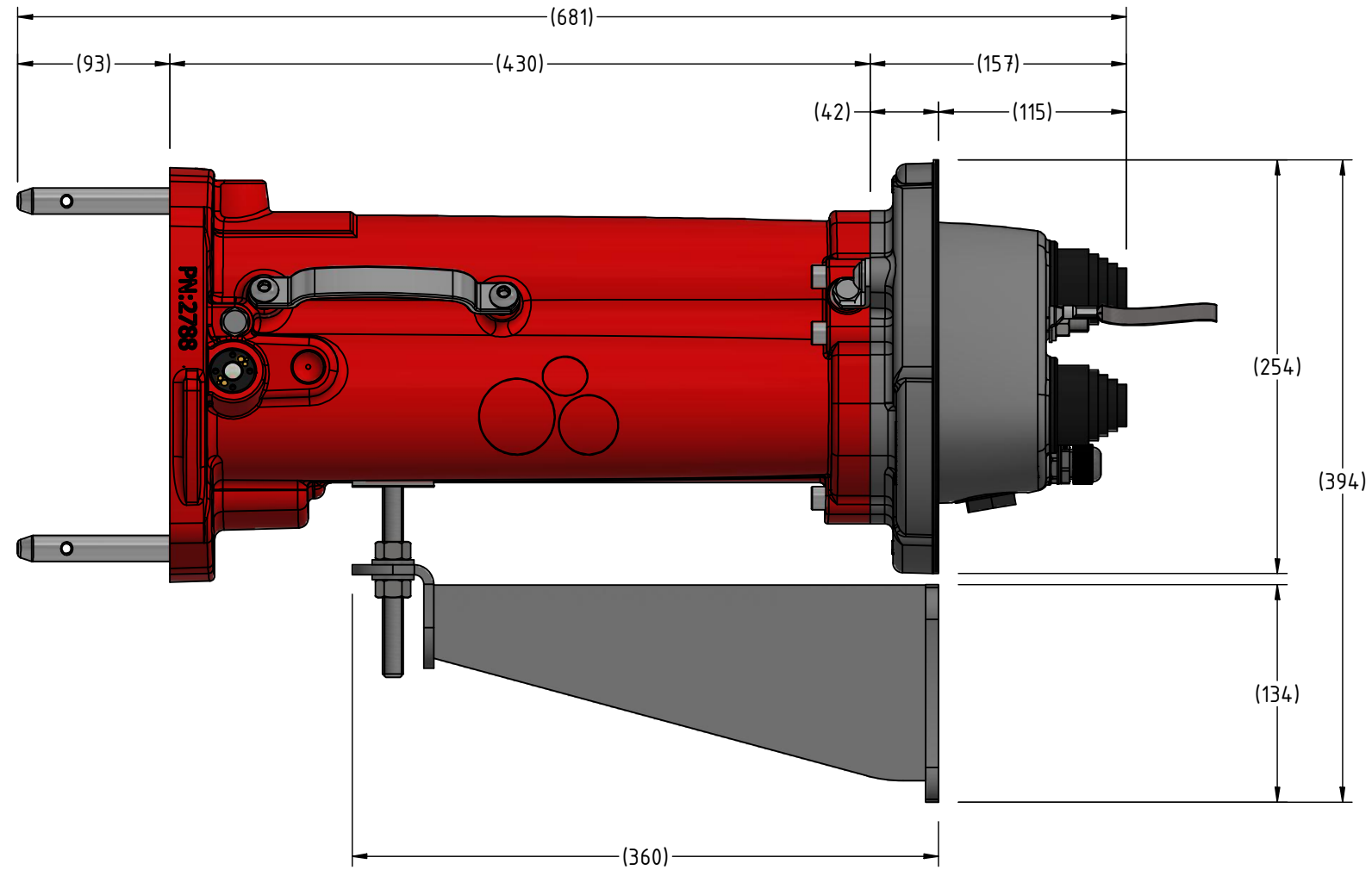
ADAPTOR SUPPORT BRACKET



ISOMETRIC VIEW



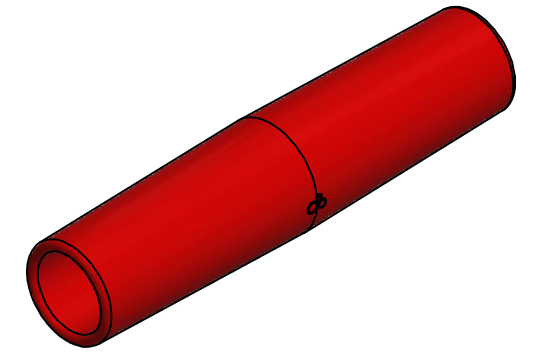
FRONT VIEW



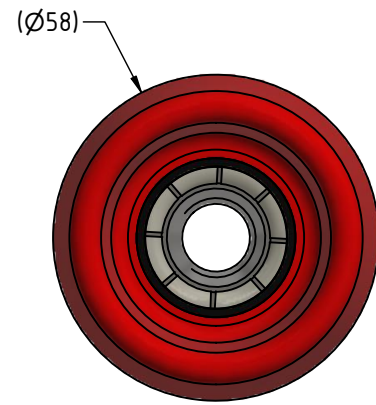
SIDE VIEW

<p>© COPYRIGHT RESERVED</p>		DRAWN BY L.BELL		PART NAME 22KA, 22KAMT, 22KAMTE, 22KAE - PRODUCT DIMENSIONS		REVISION HISTORY DESCRIPTION DATE		
		APPROVED BY C.TAYLOR		DRAWN DATE 18/09/2023				SURFACE FINISH MACHINED, PAINTED
SIZE A3	UNLESS OTHERWISE SPECIFIED DIMENSIONS (Metric-millimetre-mm) ALL SURFACE FINISHES TO ✓	THIRD ANGLE PROJECTION	SHEET 6 OF 7	DRAWING NOT TO SCALE Request Dimensions If In Doubt		REV 3	ADDED PITCHING DIMENSIONS TO ADAPTOR FLANGES SHEET 5	21/04/2026
			ENG DWG	PART NO.	MATERIAL ALUMINIUM, SILICONE, STAINLESS	2	ADDED ADAPTORE SUPPORT BRACKET TO SHEET 6	03/03/2025
						1	INITIAL RELEASE	18/09/2023

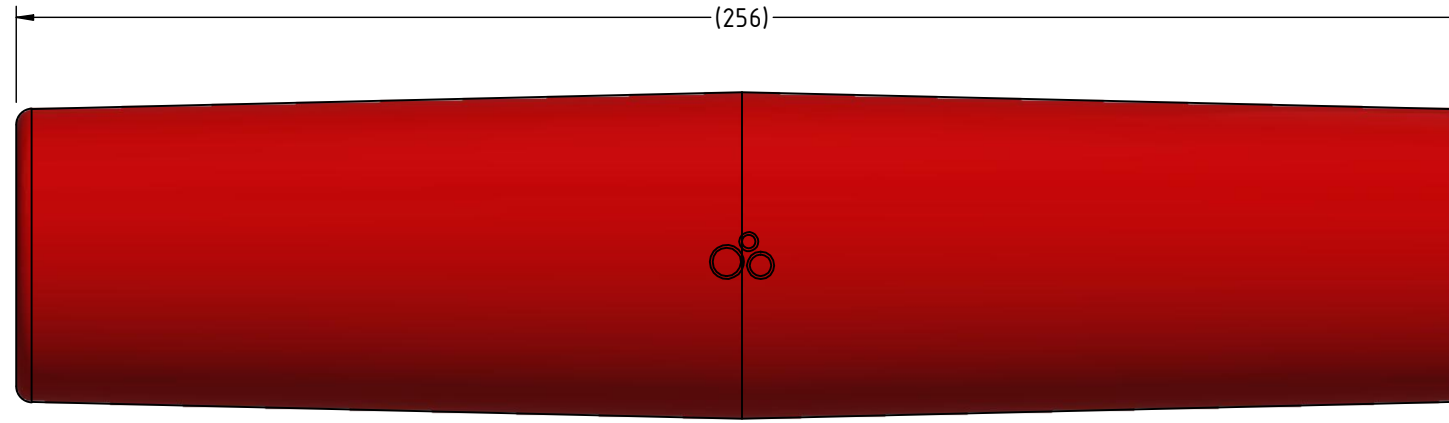
PHASE CONNECTOR



ISOMETRIC VIEW

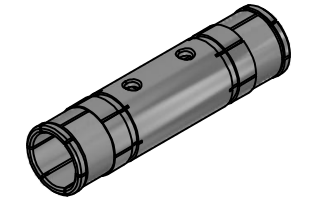


FRONT VIEW

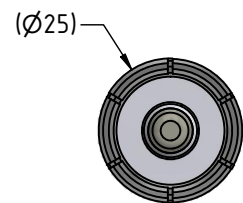


SIDE VIEW

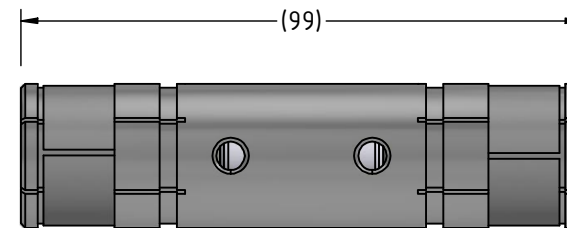
EARTH PILOT CONNECTOR



ISOMETRIC VIEW



FRONT VIEW



SIDE VIEW



DRAWN BY
L.BELL

PART NAME
22KA, 22KAMT, 22KAMTE, 22KAE - PRODUCT DIMENSIONS

APPROVED BY
C.TAYLOR

DRAWN DATE
18/09/2023

SURFACE FINISH
MACHINED, MOULDED

SHEET
7 OF 7

DRAWING NOT TO SCALE
Request Dimensions If In Doubt

ENG DWG

PART NO.

MATERIAL
SILICONE, COPPER, ALUMINIUM, STAINLESS

REVISION HISTORY		
REV	DESCRIPTION	DATE
3	ADDED PITCHING DIMENSIONS TO ADAPTOR FLANGES SHEET 5	21/04/2026
2	ADDED ADAPTORE SUPPORT BRACKET TO SHEET 6	03/03/2025
1	INITIAL RELEASE	18/09/2023

SIZE
A3

UNLESS OTHERWISE SPECIFIED
DIMENSIONS (Metric-millimetre-mm)

ALL SURFACE FINISHES TO ✓

