

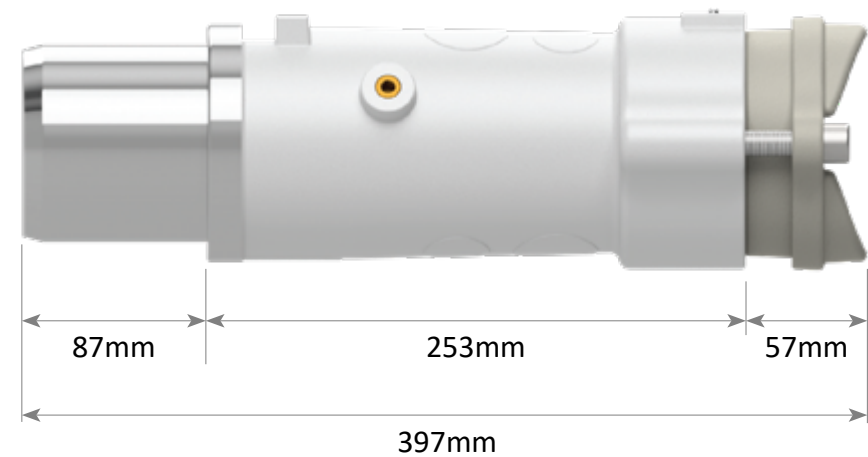
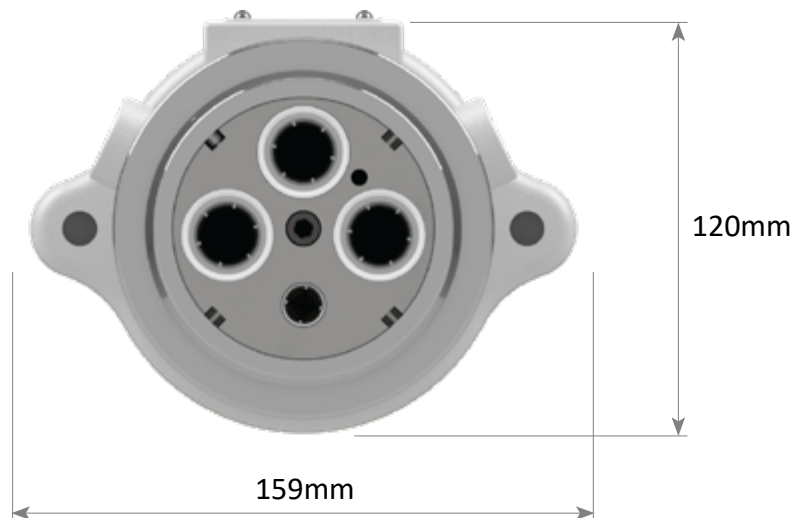
## PL RANGE

### *Restrained Plugs and Receptacles Flameproof*



### *Plug Front and Side View*

660V - 3,300V 300A -  
425A



## PL RANGE

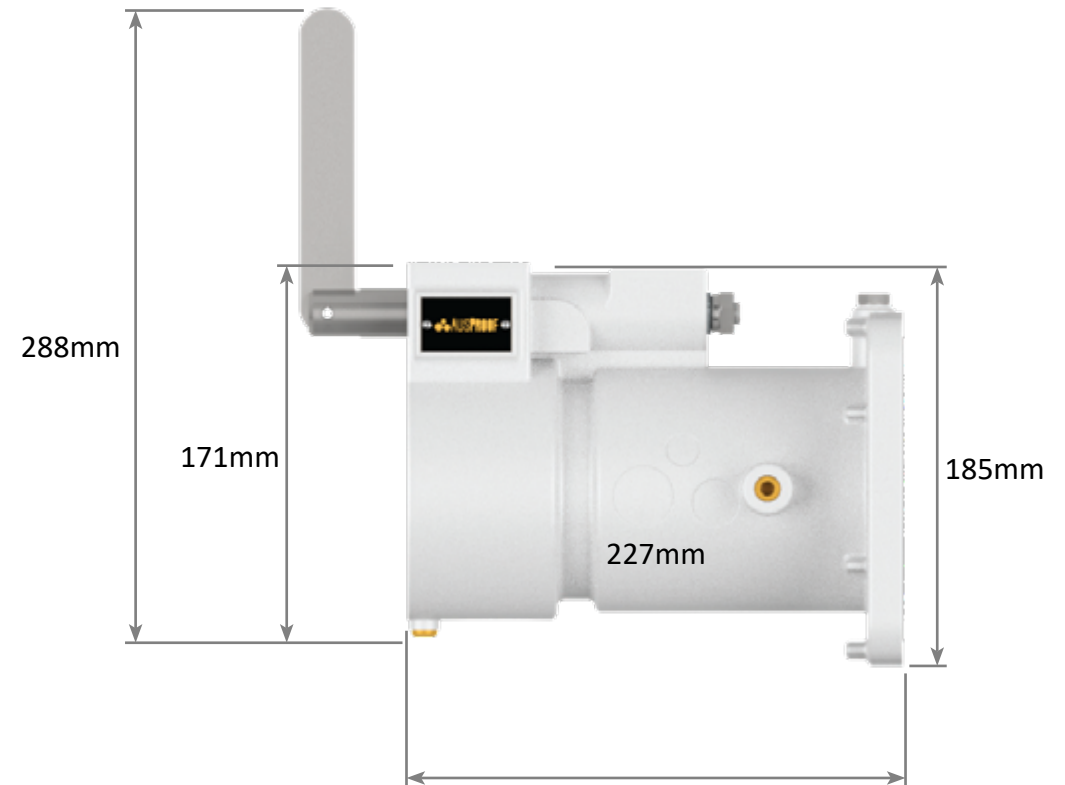
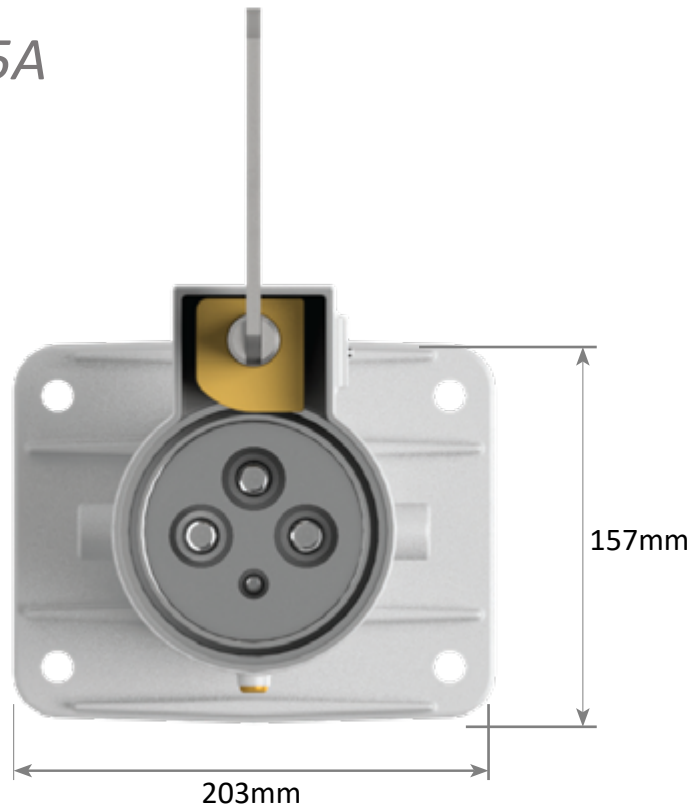
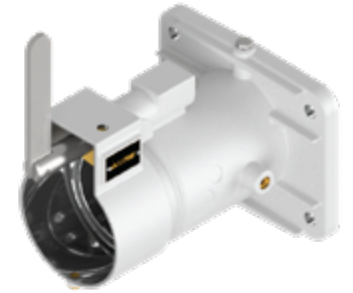
### *Restrained Plugs and Receptacles Flameproof*

*Jack In Receptacle*

*Front and Side View 660V -*

*3,300V*

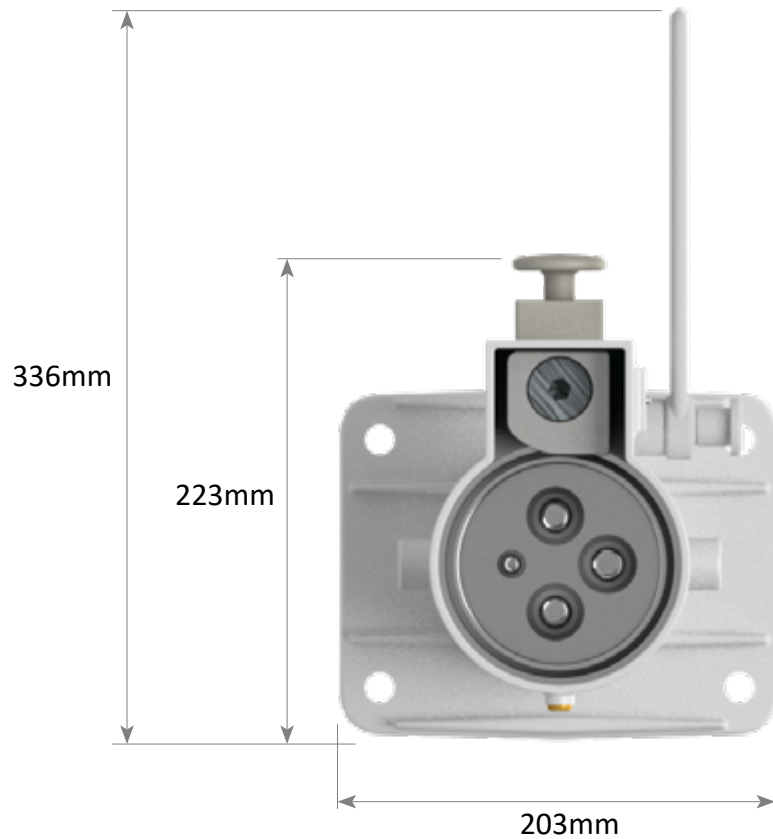
*300A - 425A*



# PL RANGE

## Restrained Plugs and Receptacles Flameproof

### Quick Release Receptacle Front and Side View

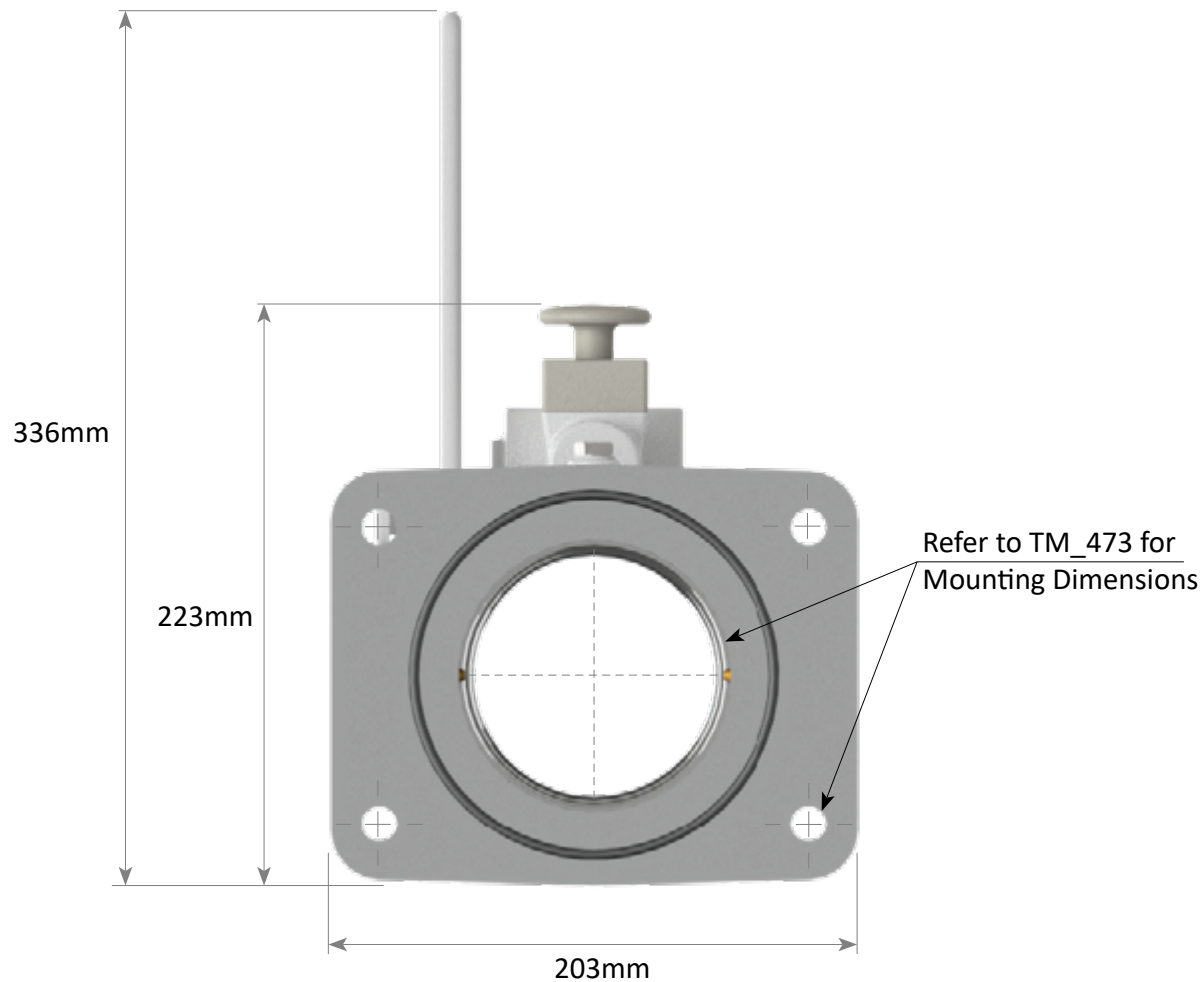


# PL RANGE

## Restrained Plugs and Receptacles

### Flameproof

### Footprint Sizes



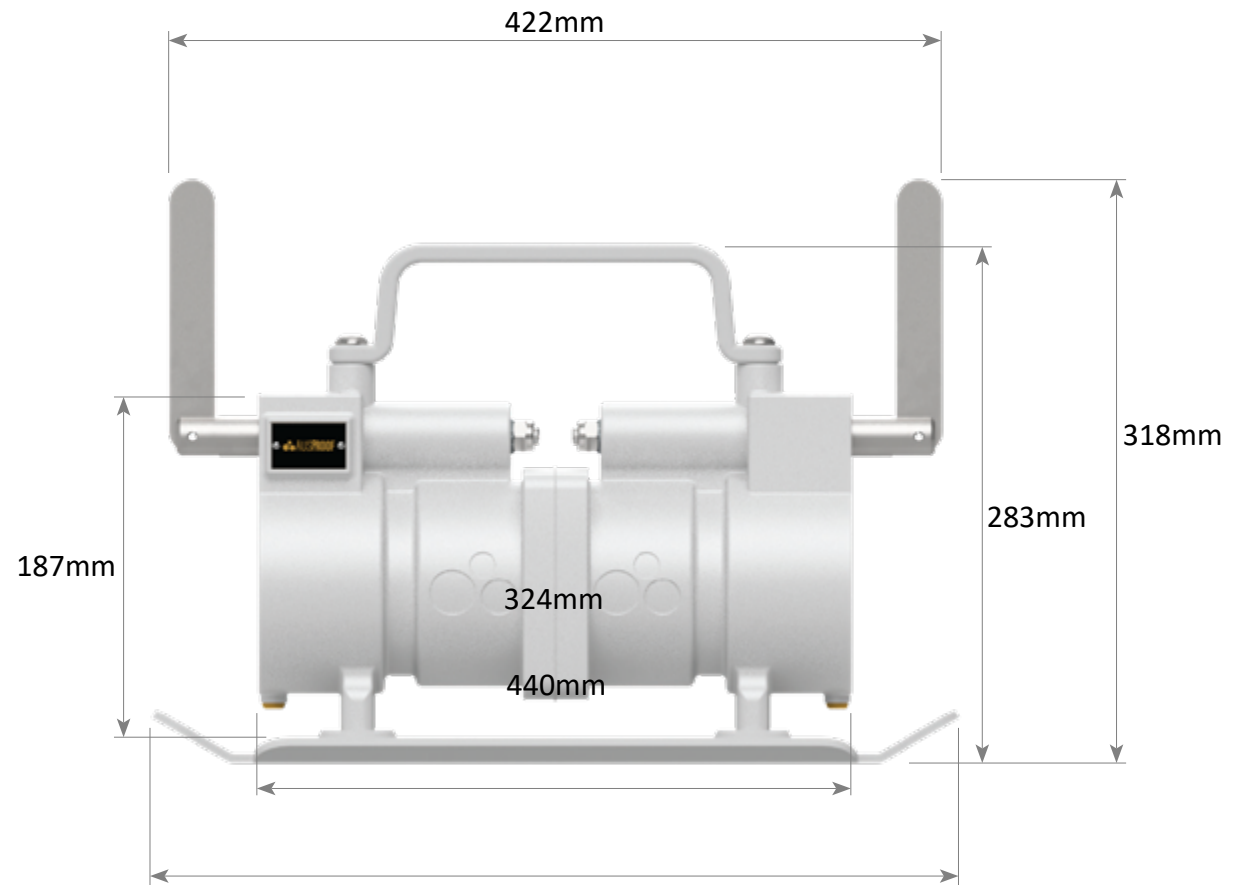
# PL RANGE

## Back to Back Receptacles

### Flameproof



### Jack In Receptacle 300A



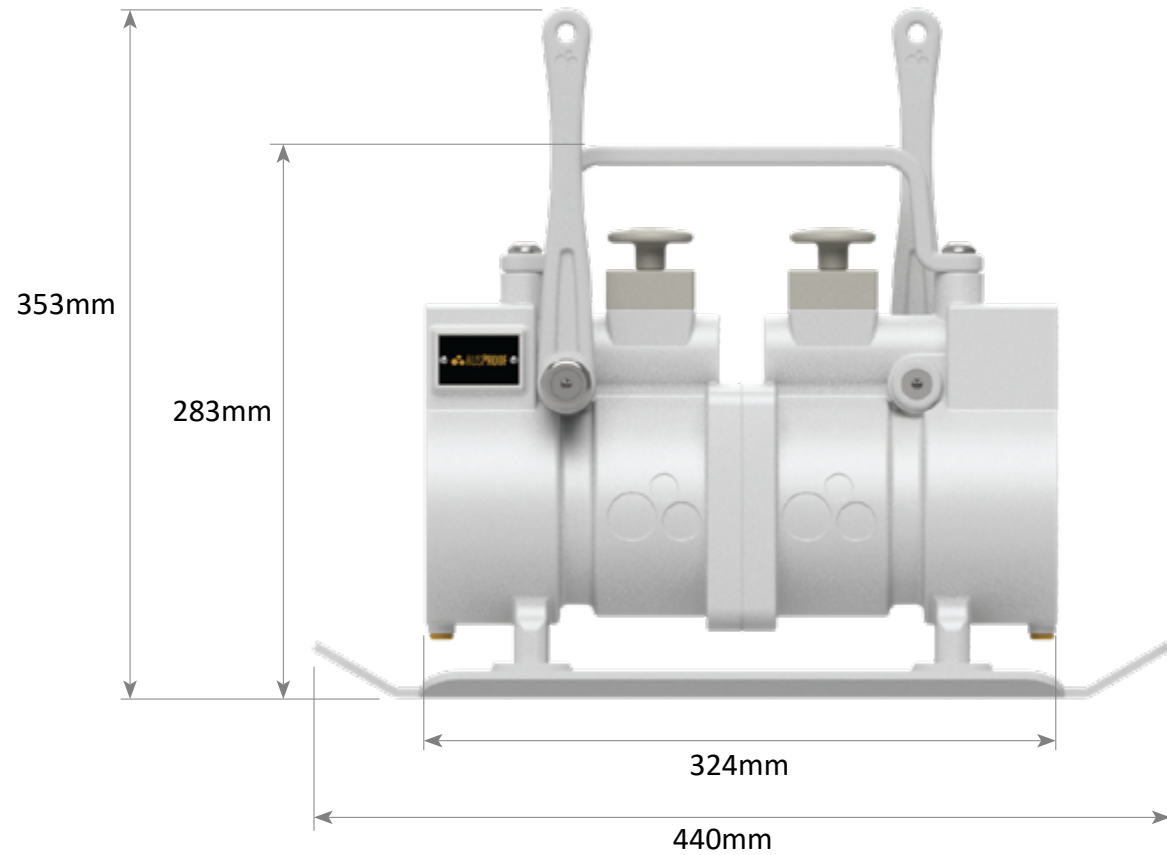
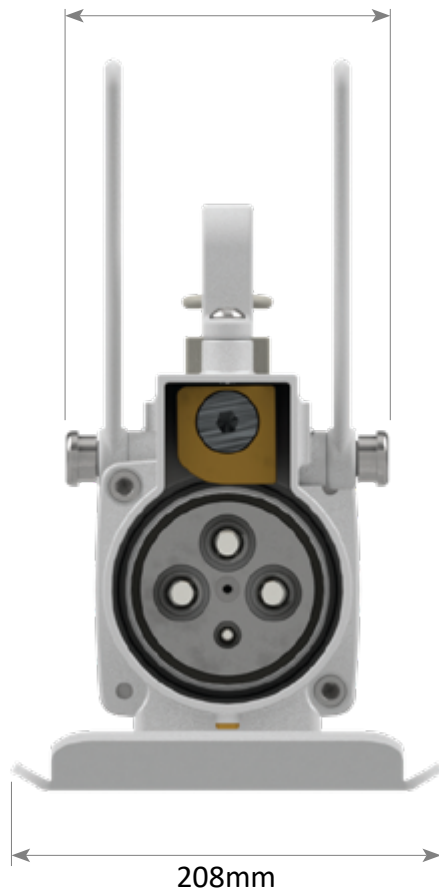
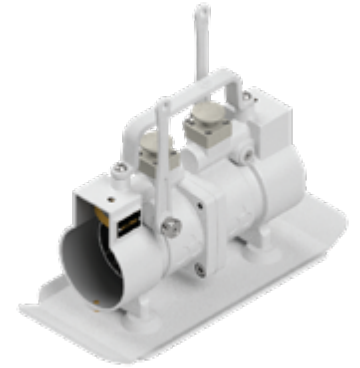
# PL RANGE

## Back to Back Receptacles

### Flameproof

## Quick Release Receptacle

300A 155mm

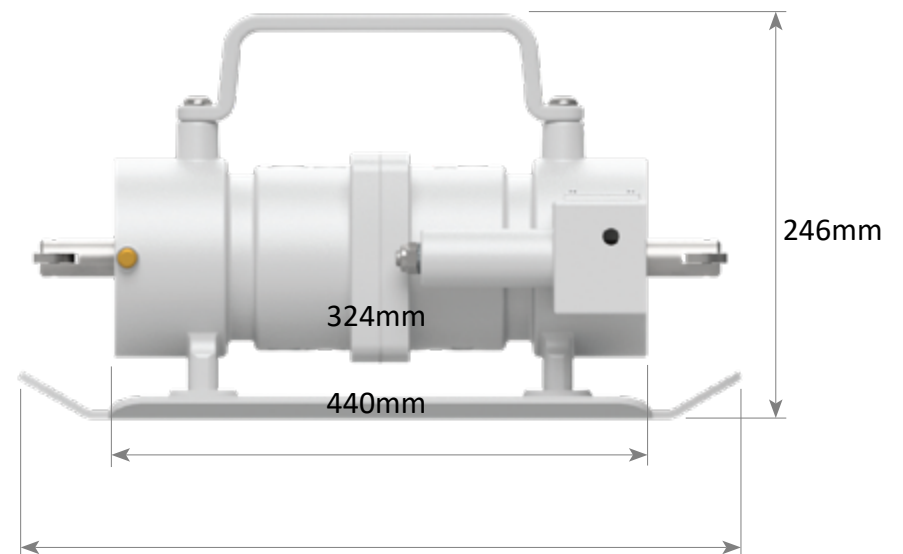
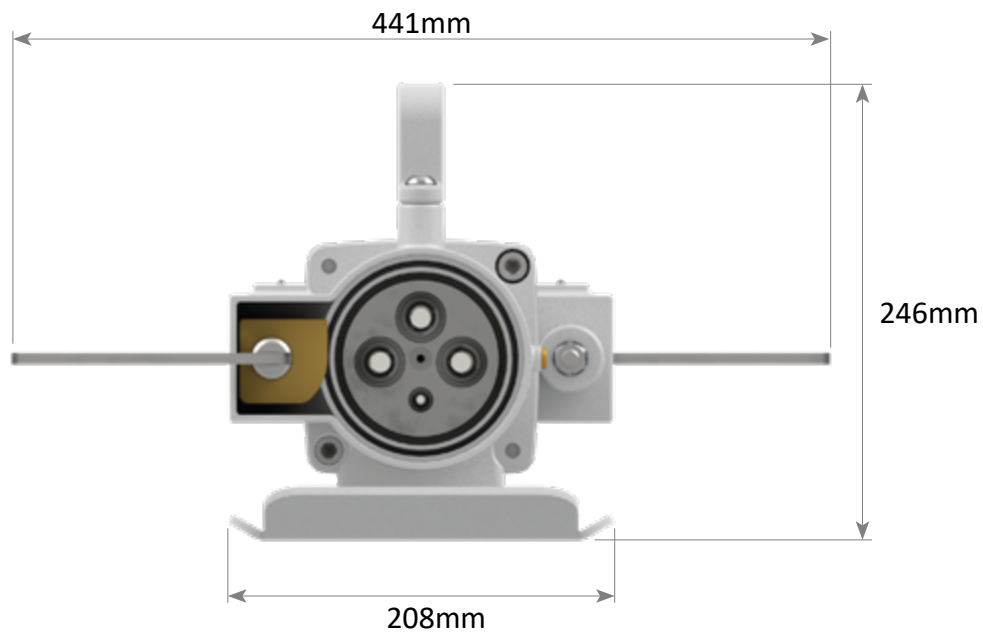


# PL RANGE

## Back to Back Receptacles

### Flameproof

#### Jack In Receptacle 425A

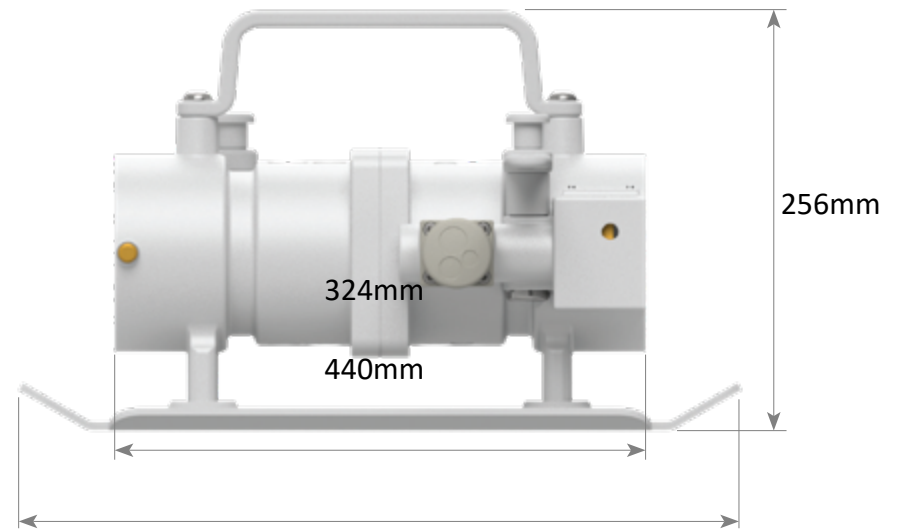
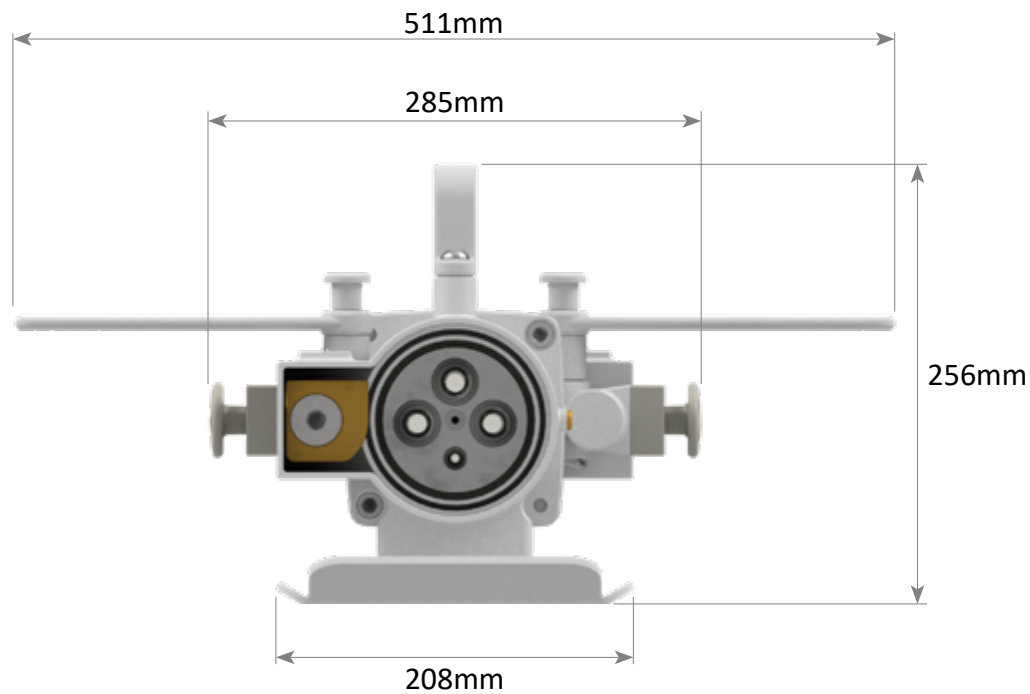
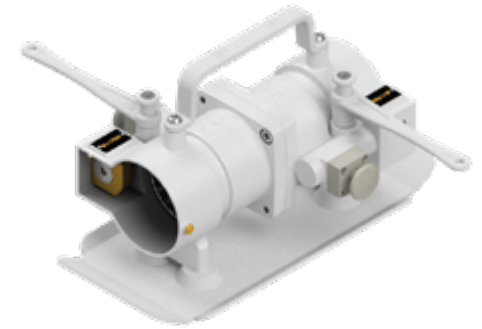


# PL RANGE

## Back to Back Receptacles

### Flameproof

## Quick Release Receptacle 425A

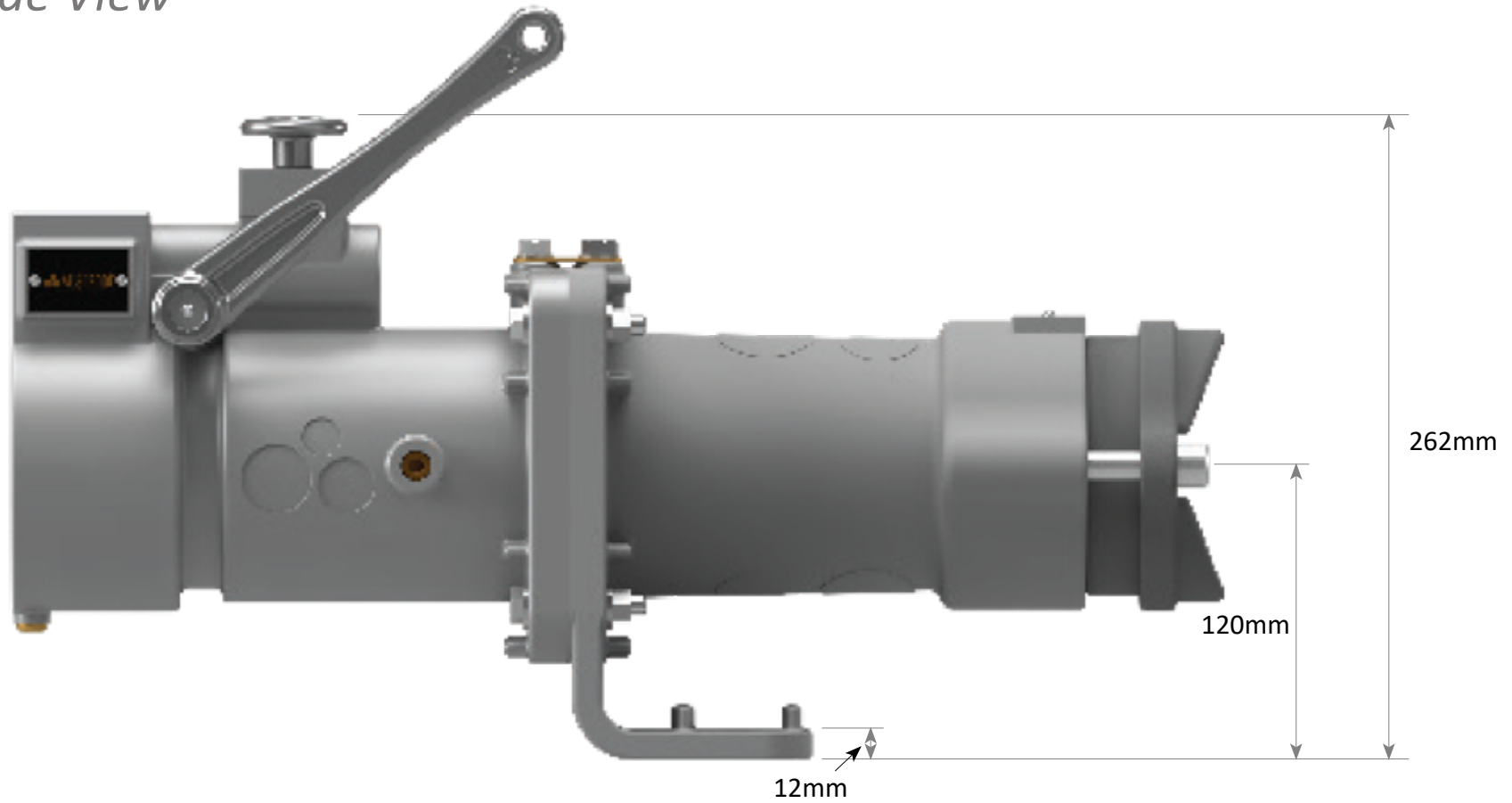


# PL RANGE

## Receptacle Gland Bracket

### Flameproof

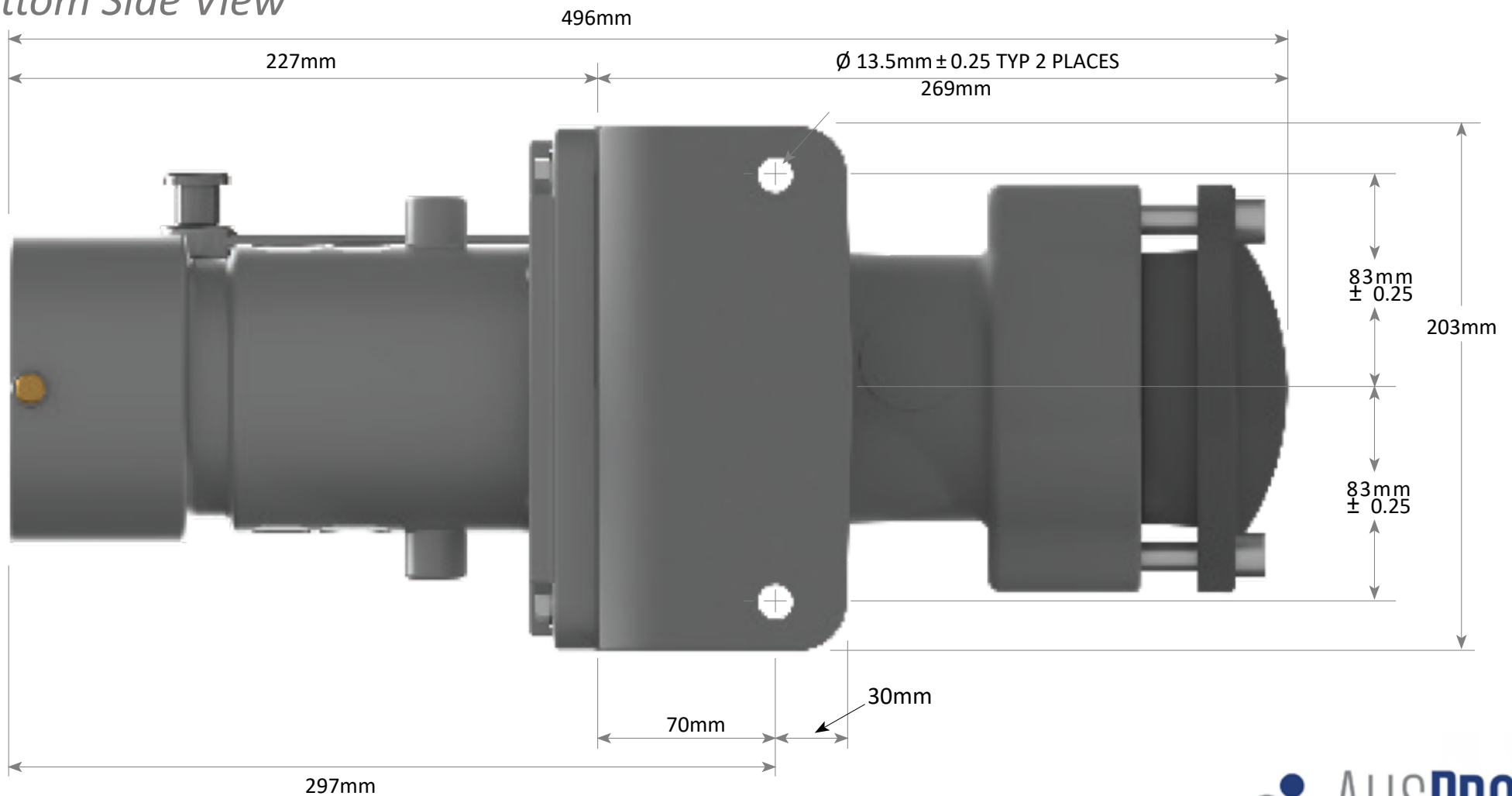
*Right Side View*



# PL RANGE

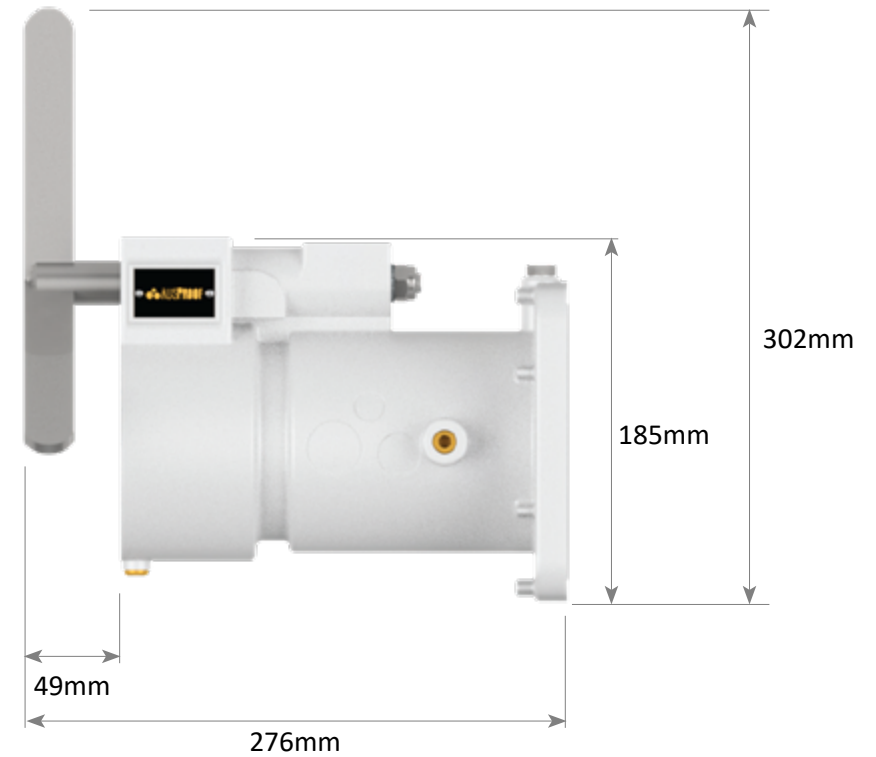
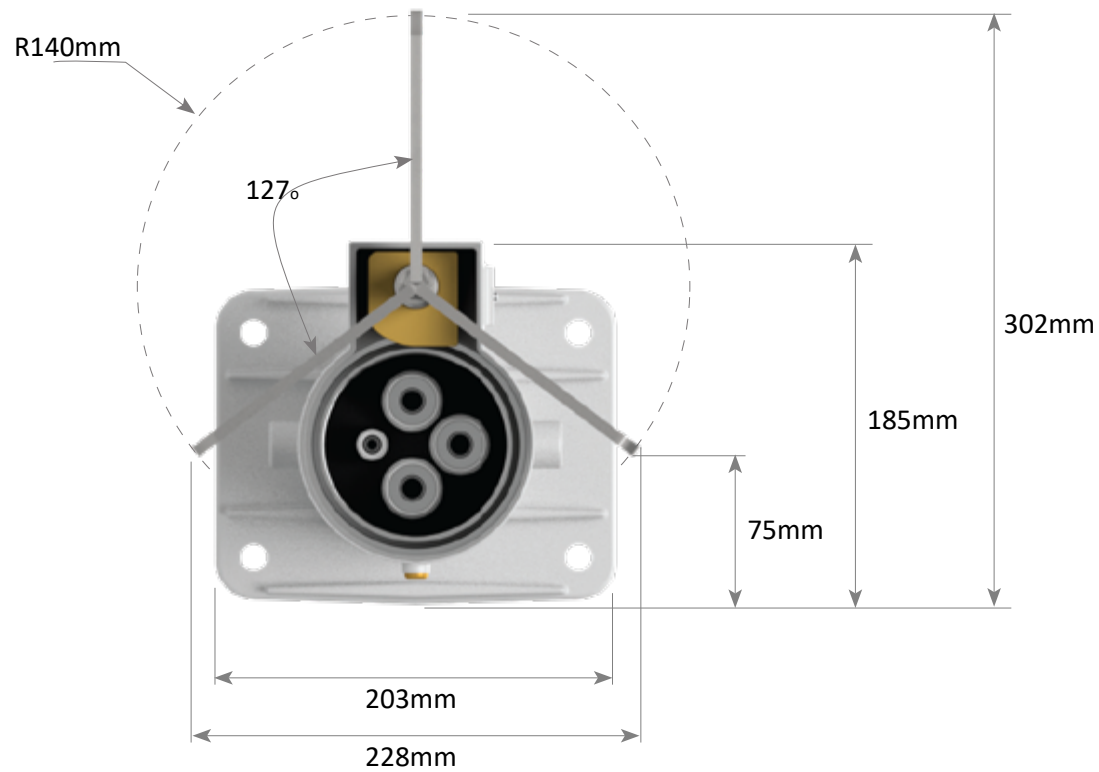
## Receptacle Gland Bracket Flameproof

### Bottom Side View



# PL RANGE

## Jack In Receptacle Handle Swing Flameproof



# PL RANGE

## Quick Release Receptacle Handle Swing Flameproof

