

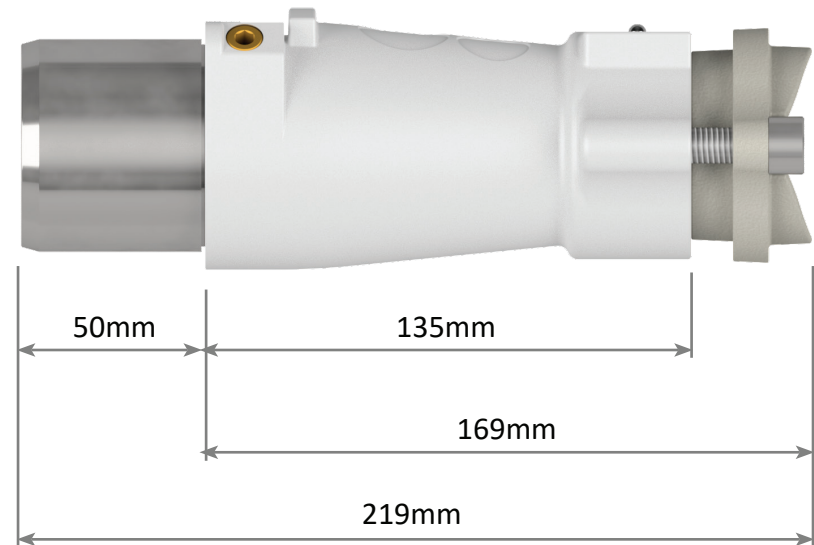
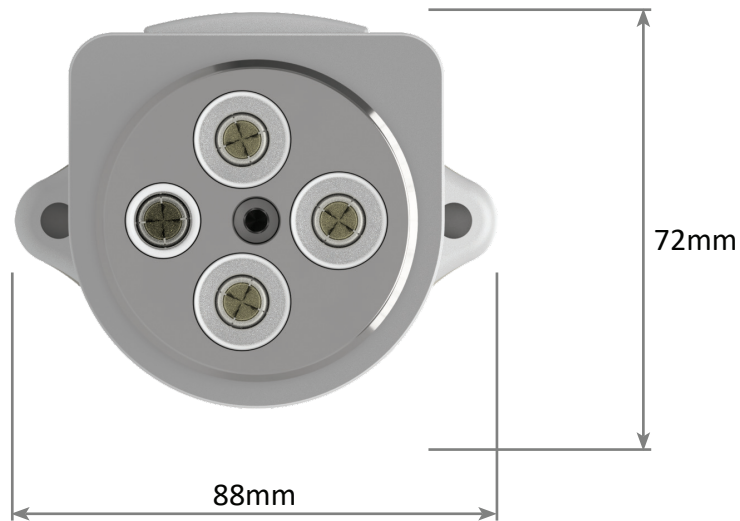
PES RANGE

Restrained Plugs and Receptacles Flameproof (90A Non-Ex)

Front and Side View

660V - 1100V

60A - 90A



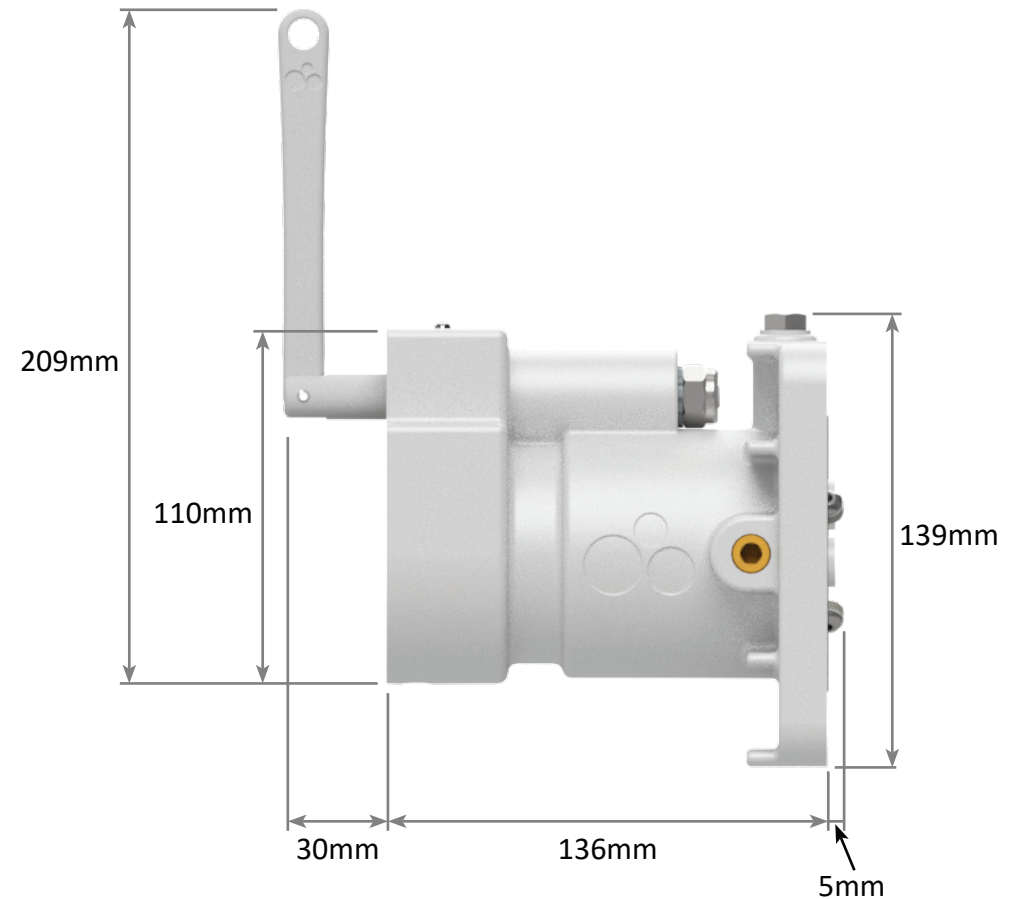
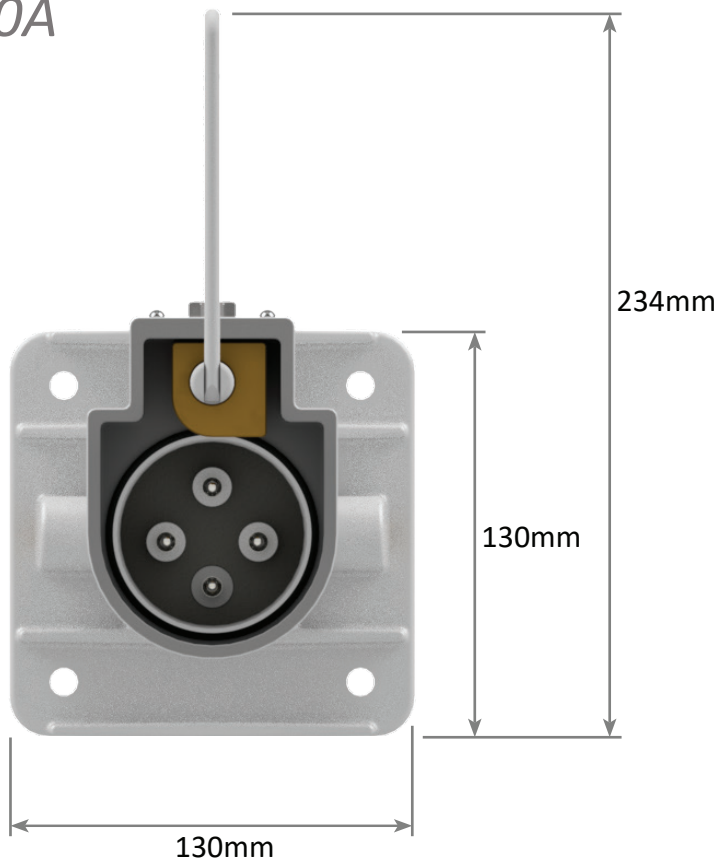
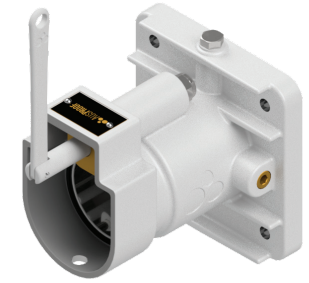
PES RANGE

Restrained Plugs and Receptacles Flameproof (90A Non-Ex)

Front and Side View

660V - 1100V

60A - 90A



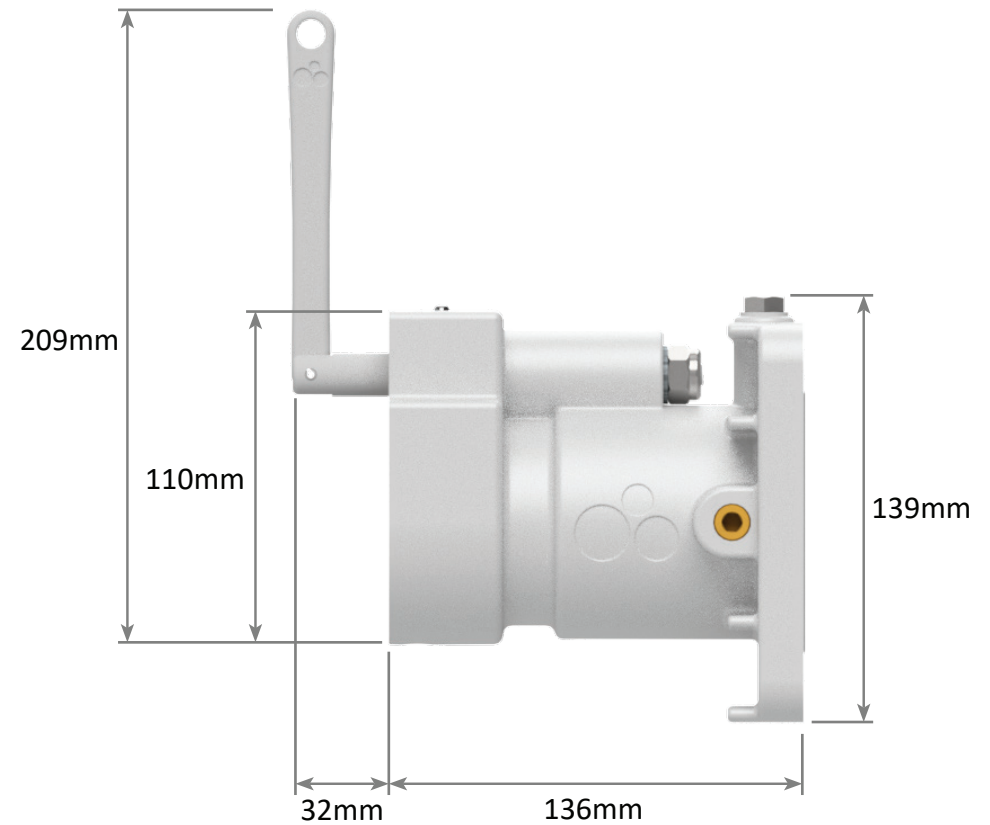
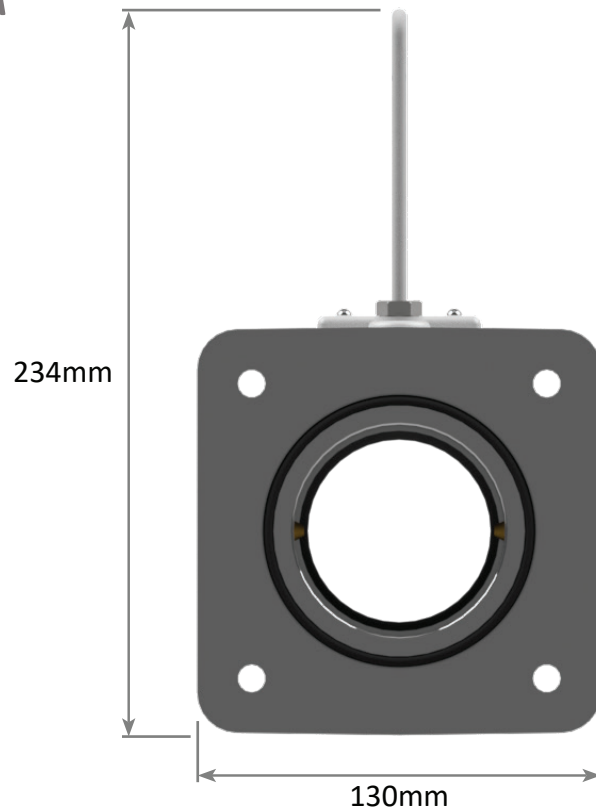
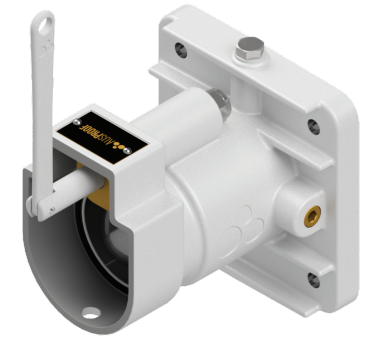
PES RANGE

Restrained Plugs and Receptacles Flameproof (90A Non-Ex)

Footprint Sizes

660V - 1100V

60A - 90A

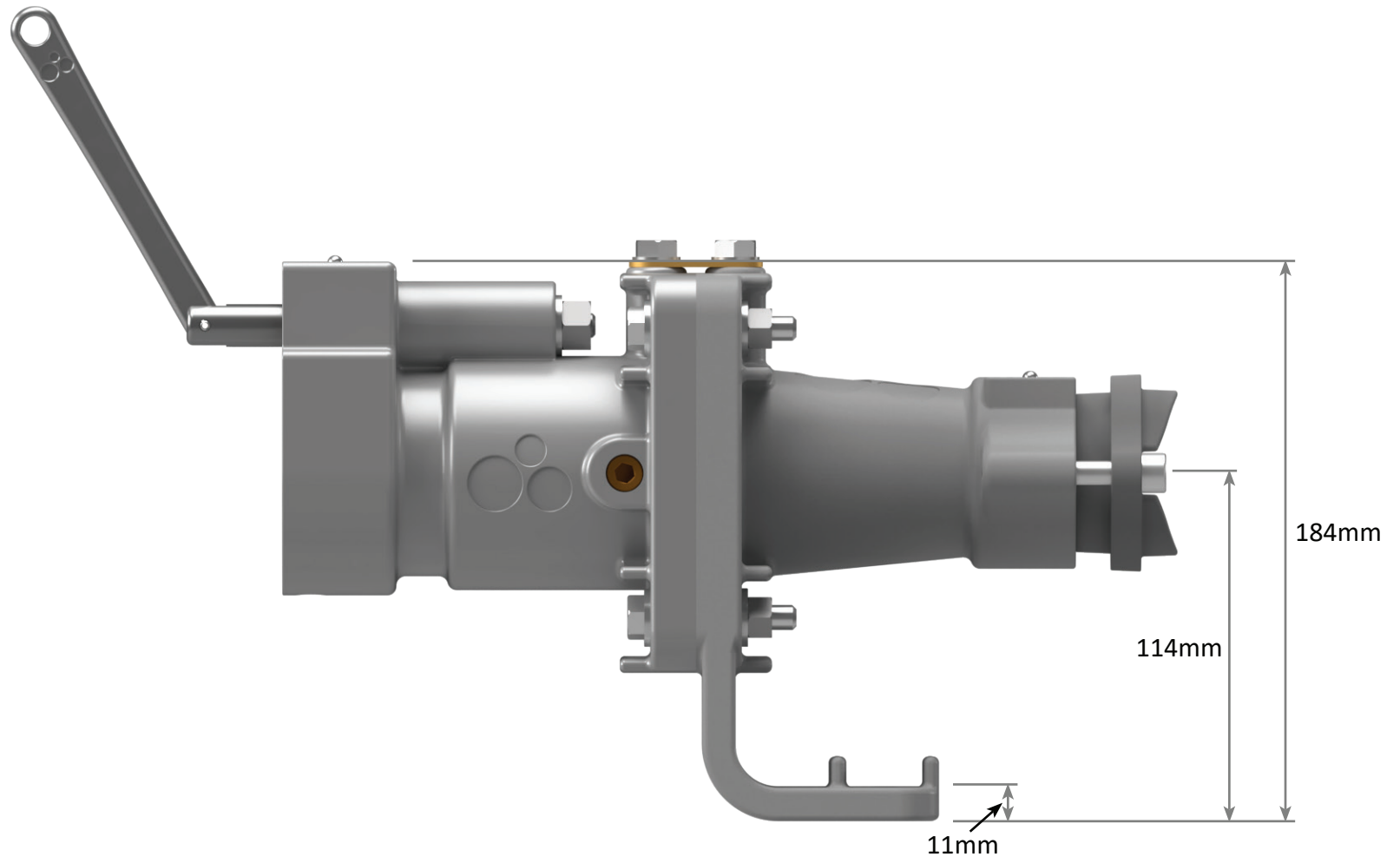


PES RANGE

Receptacle Gland Bracket Flameproof (90A Non-Ex)

660V - 1100V

60A - 90A

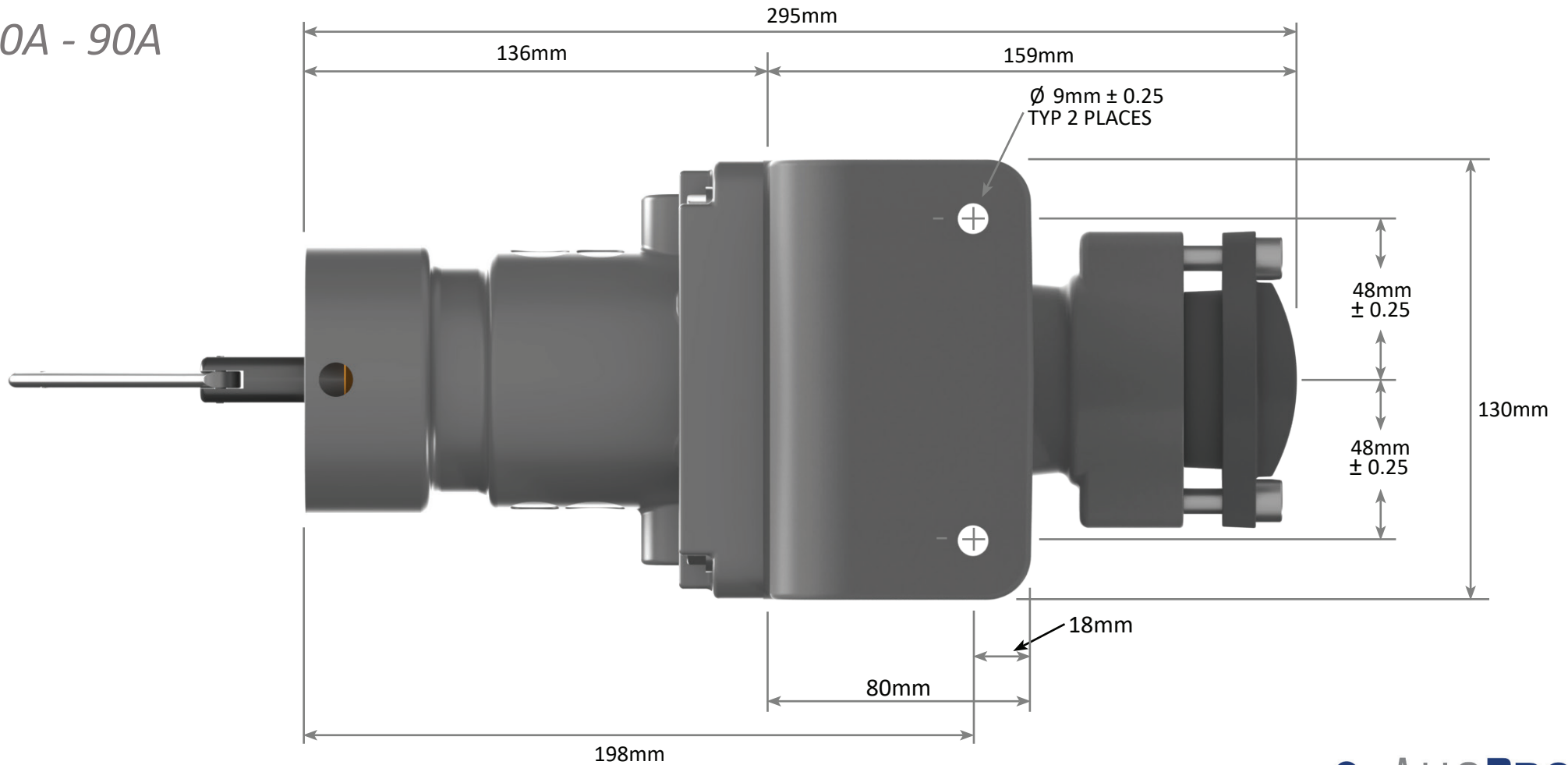


PES RANGE

Receptacle Gland Bracket Flameproof (90A Non-Ex)

660V - 1100V

60A - 90A

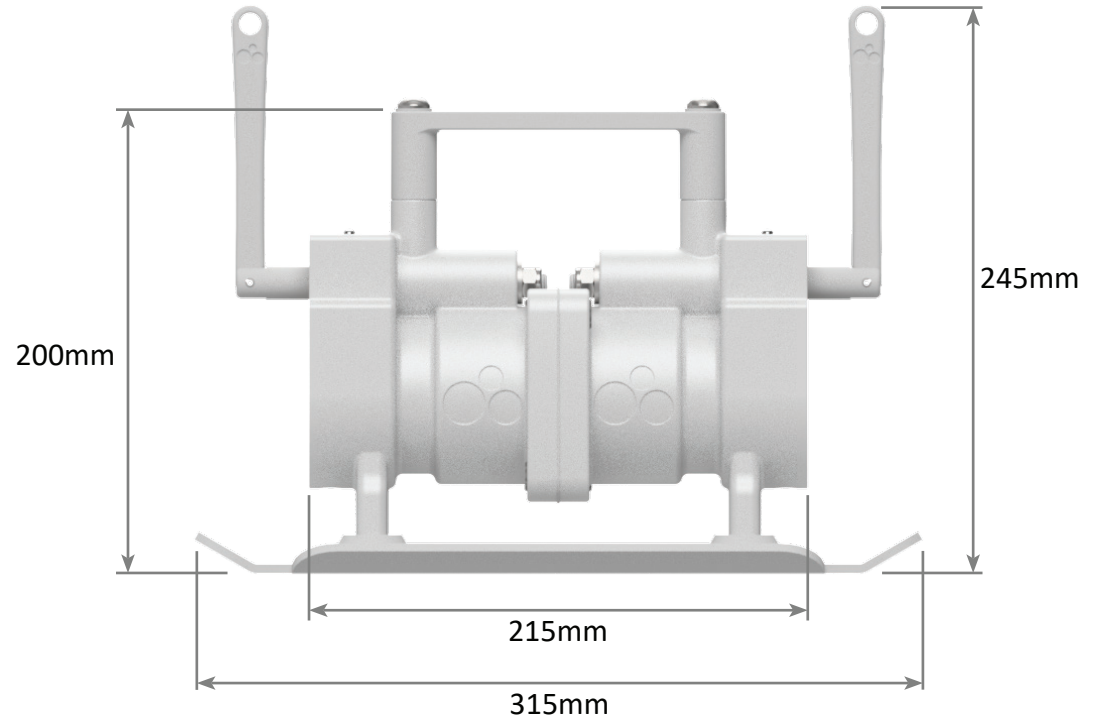
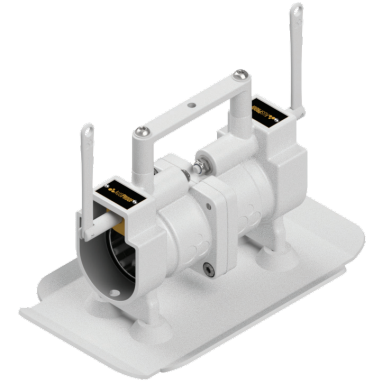


PES RANGE

Back to Back Receptacle Flameproof (90A Non-Ex)

660V - 1100V

60A - 90A



PES RANGE

Jack In Receptacle Handle Swing Flameproof (90A Non-Ex)

660V - 1100V

60A - 90A

